



US00D351602S

United States Patent [19]

[11] Patent Number: **Des. 351,602**

Rosebraugh et al.

[45] Date of Patent: **** Oct. 18, 1994**

[54] **SUMP PUMP**

[75] Inventors: **Mark Rosebraugh**, Montgomery, Ill.;
Brian M. Mitsch, Perrysville, Ohio;
Roby Jones, Mansfield, Ohio; **Jay Martin**, Earlville, Ill.; **Bill Tusten**,
Olathe, Kans.

[73] Assignee: **General Signal Corporation**,
Stamford, Conn.

[**] Term: **14 Years**

[21] Appl. No.: **4,504**

[22] Filed: **Feb. 5, 1993**

[52] U.S. Cl. **D15/7**

[58] Field of Search 417/424.1-424.2,
417/88, 393, 411, 234, 398-404; D15/7, 9

[56] **References Cited**

U.S. PATENT DOCUMENTS

- D. 198,608 7/1964 Rhodes D15/7
- D. 227,168 6/1973 Chase D15/7

- D. 236,756 9/1975 Franzen D15/7
- D. 237,011 9/1975 Stroberg D15/7
- D. 242,651 12/1976 Arakawa D15/7
- D. 258,210 2/1981 Shure D15/7
- D. 316,099 4/1991 Hartz D15/7
- 4,218,195 8/1989 Shure 417/411
- 4,856,971 8/1989 Koble, Jr. D15/7
- 5,094,591 3/1992 Whitley, II et al. 417/234

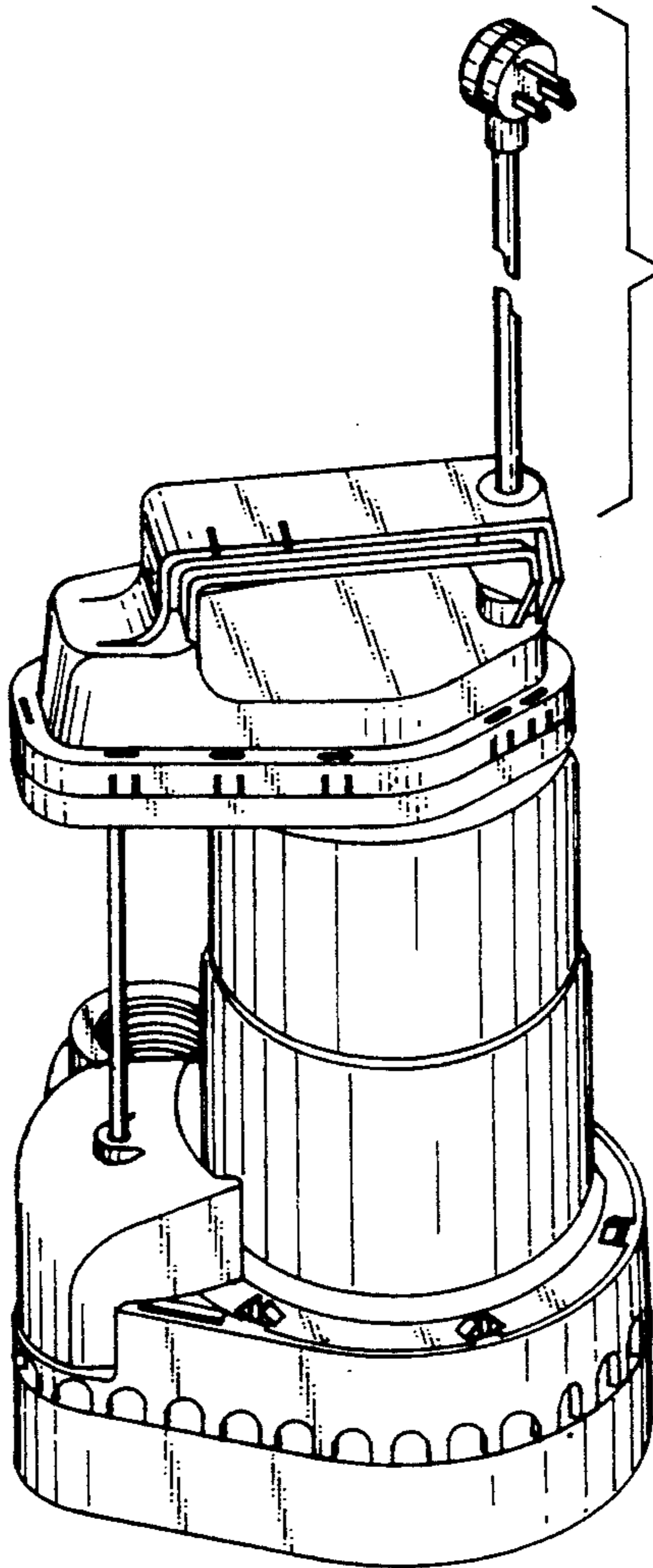
Primary Examiner—Ralf T. Seifert
Attorney, Agent, or Firm—Milton E. Kleinman;
Raymond E. Smiley; Robert S. Smith

[57] **CLAIM**

The ornamental design for a sump pump, as shown.

DESCRIPTION

FIG. 1 is a top plan view thereof;
FIG. 2 is a front elevational view thereof;
FIG. 3 is a left side elevational view thereof;
FIG. 4 is a right side elevational view thereof;
FIG. 5 is a rear elevational view thereof;
FIG. 6 is a bottom view thereof; and,
FIG. 7 is a perspective view thereof.



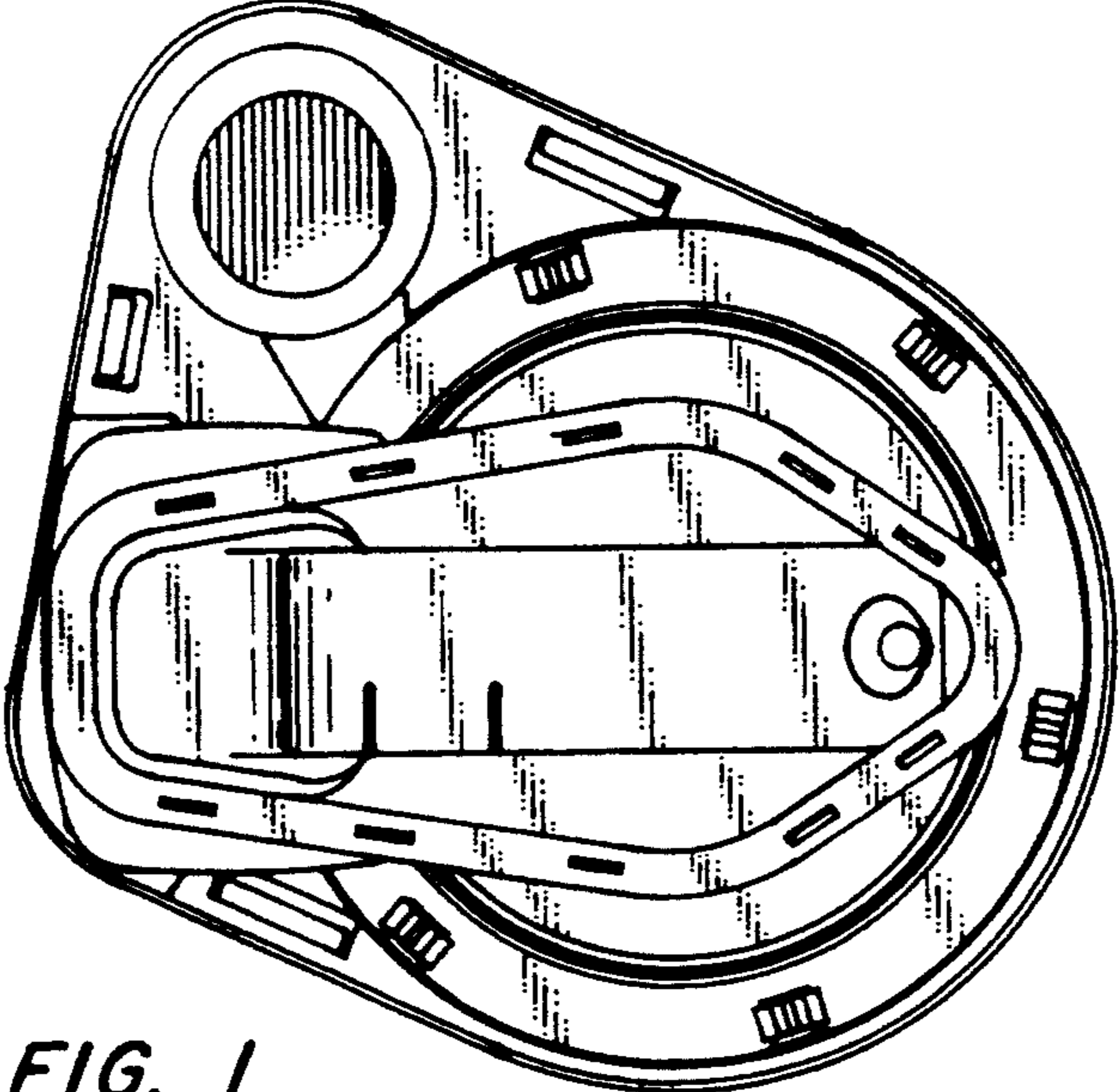


FIG. 1

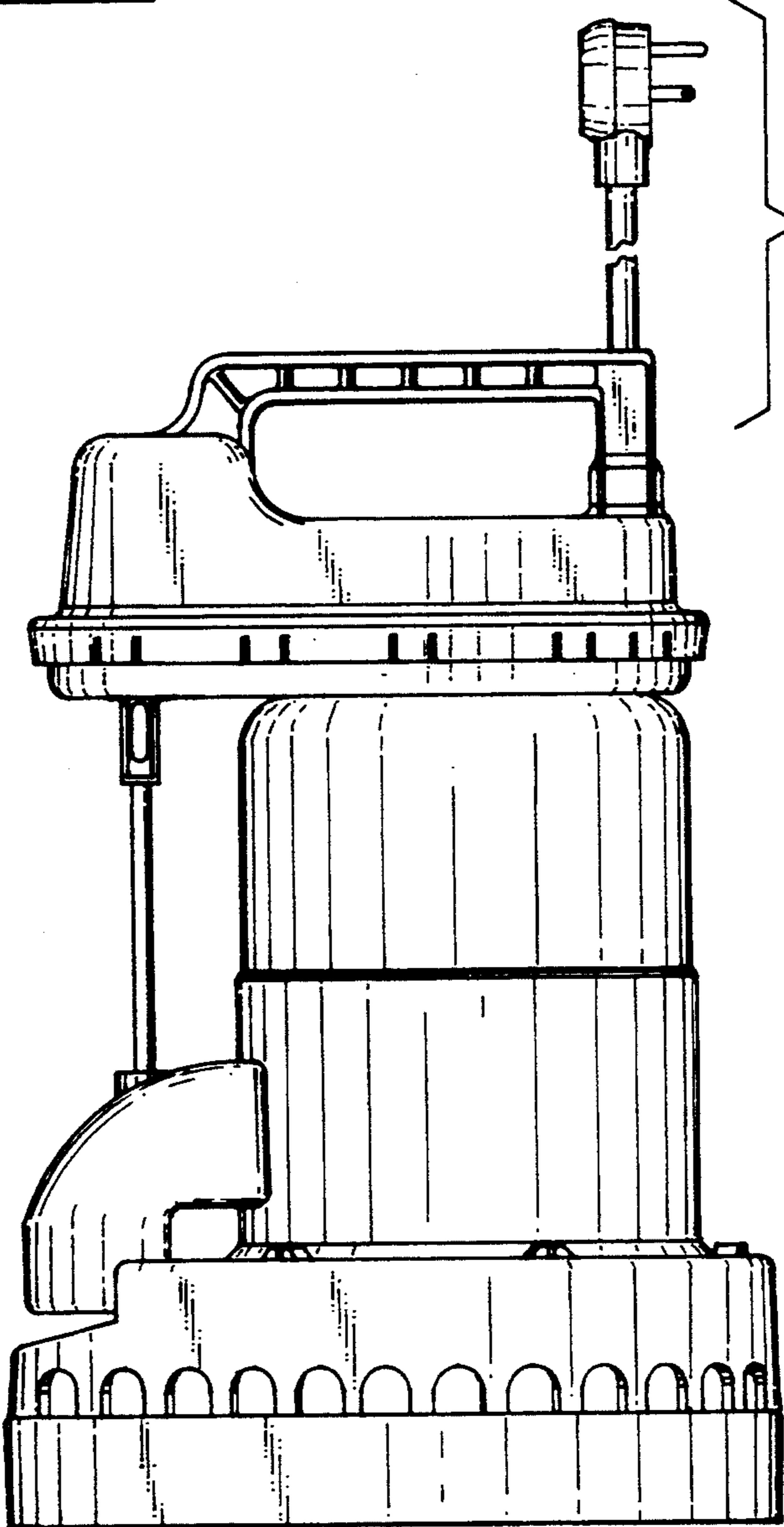
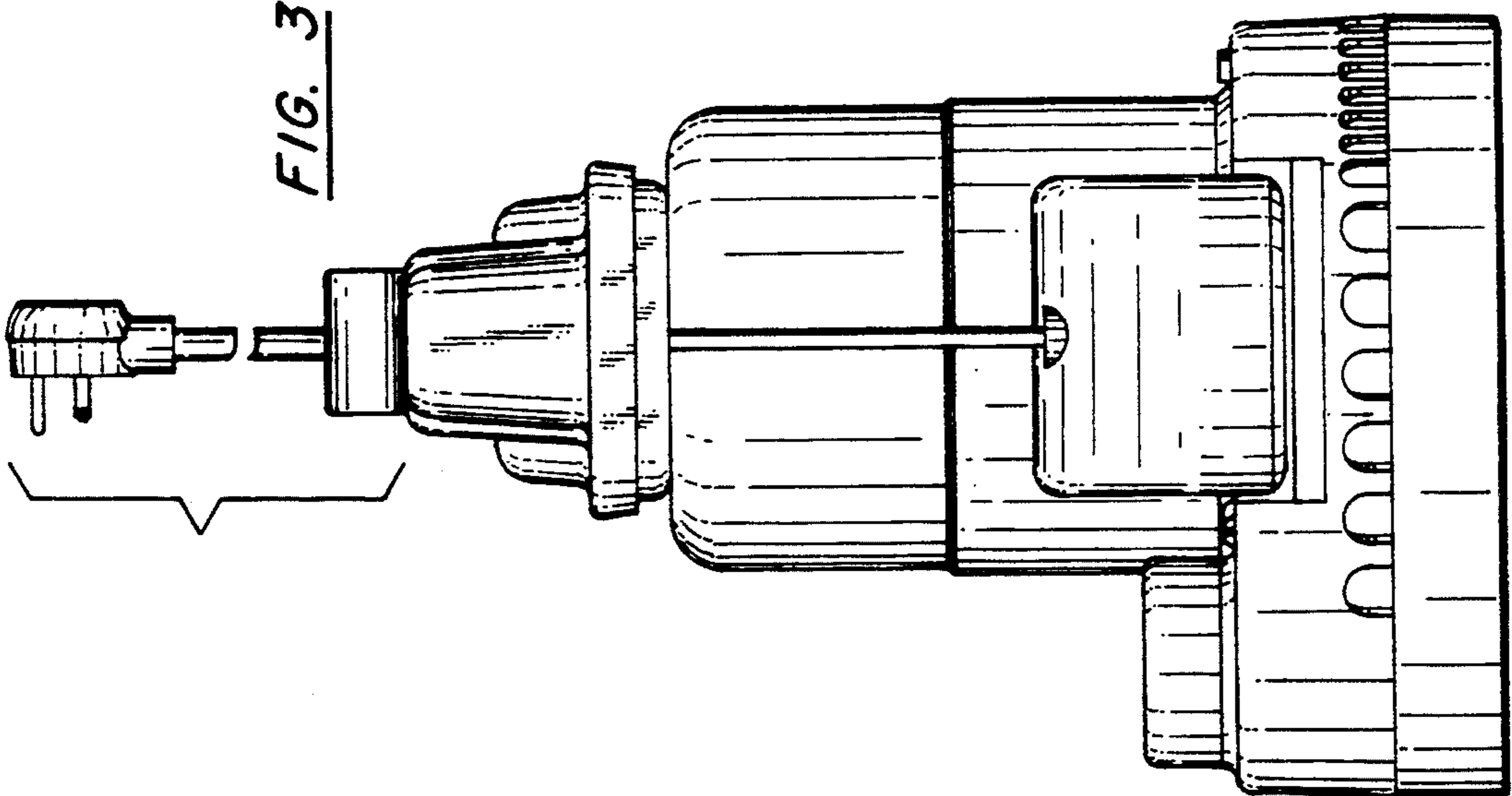
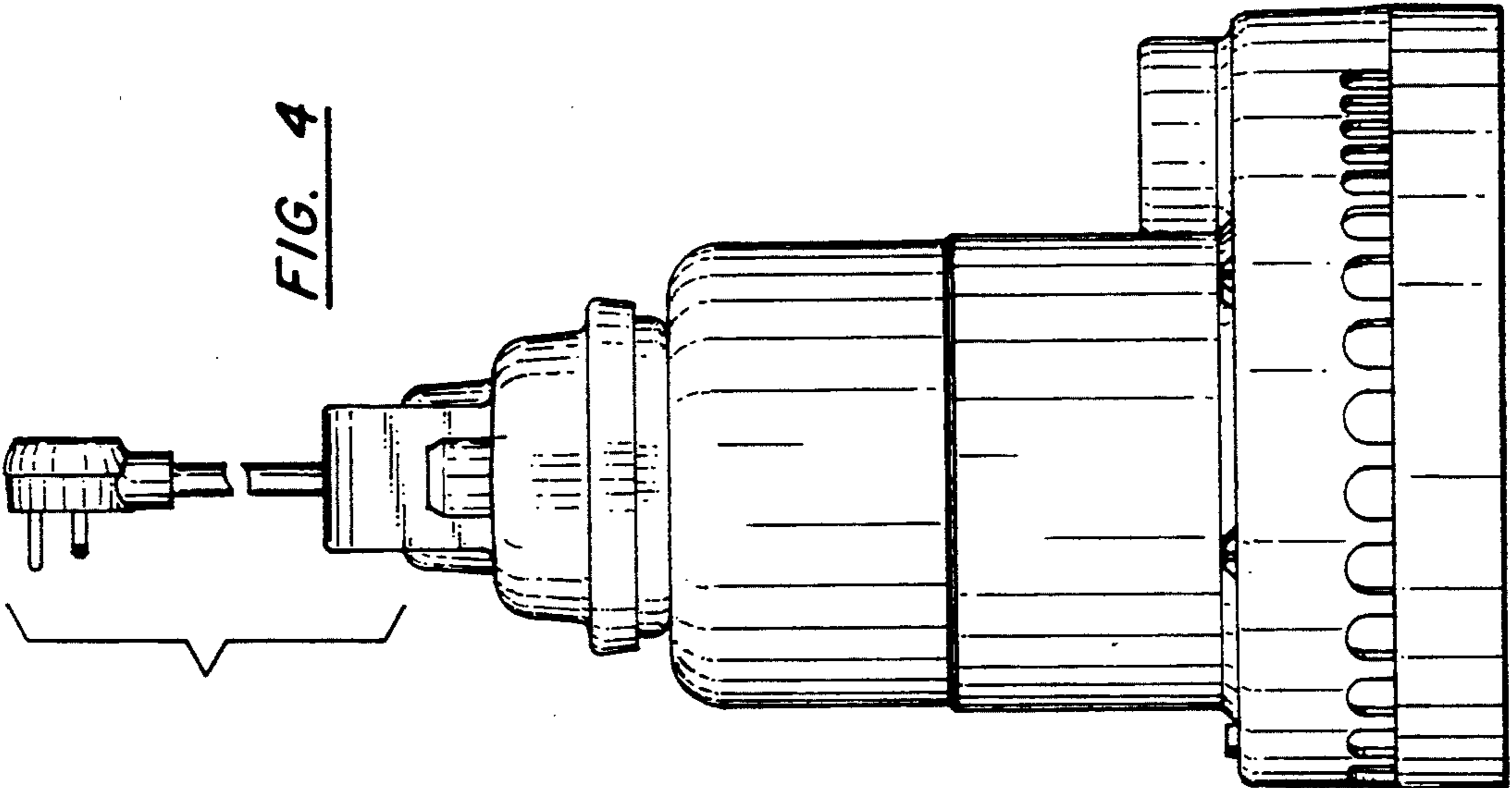


FIG. 2



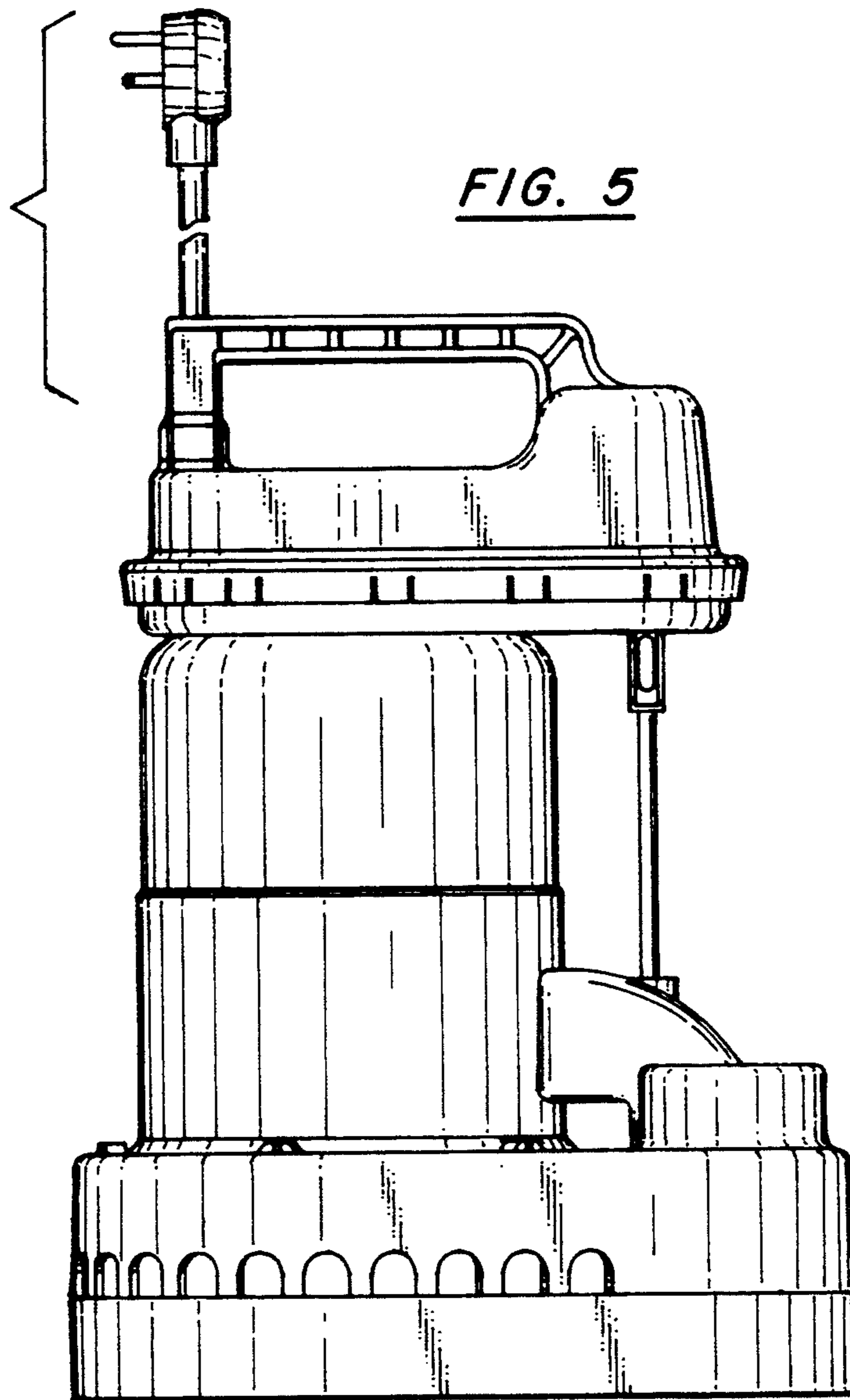


FIG. 5

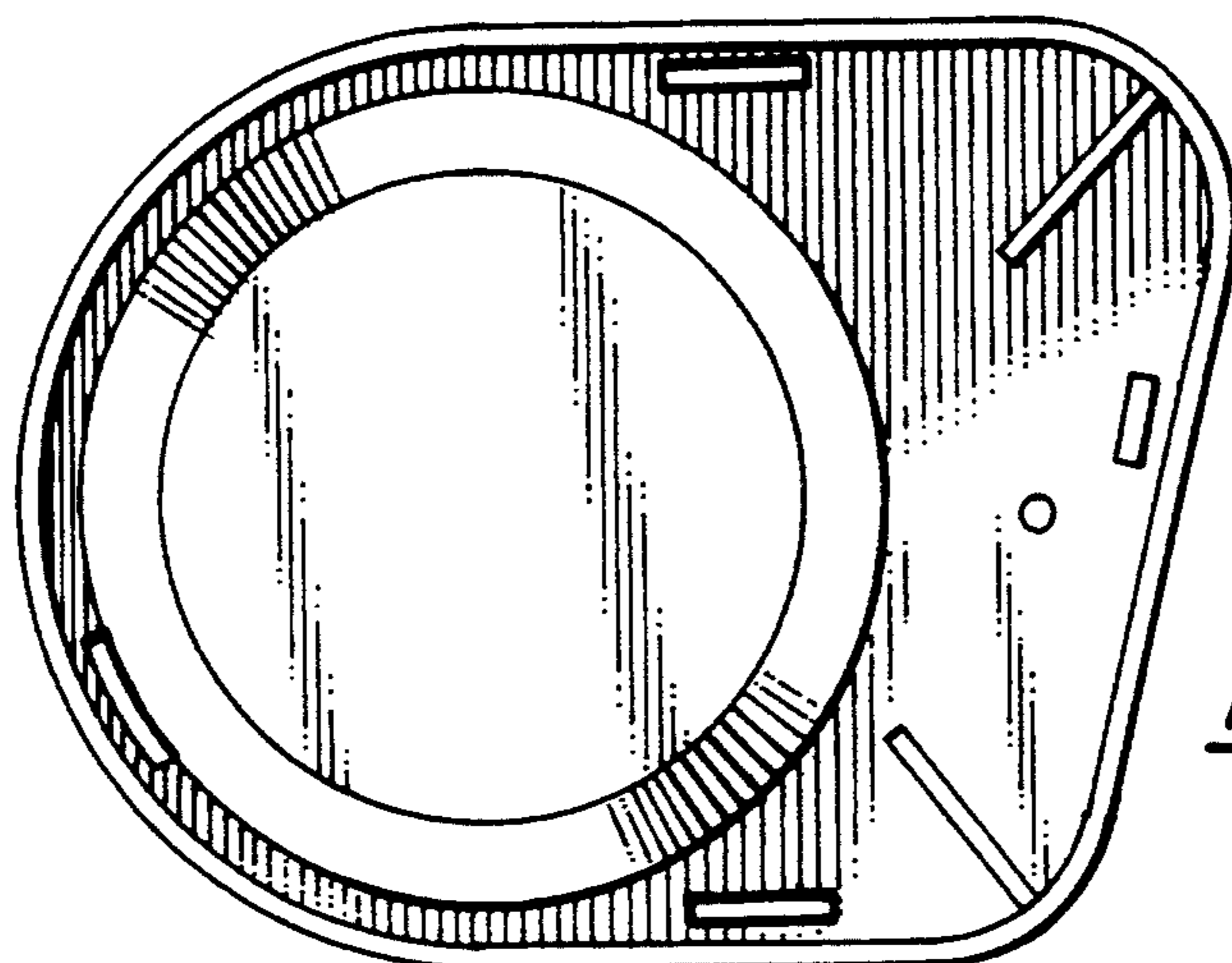


FIG. 6

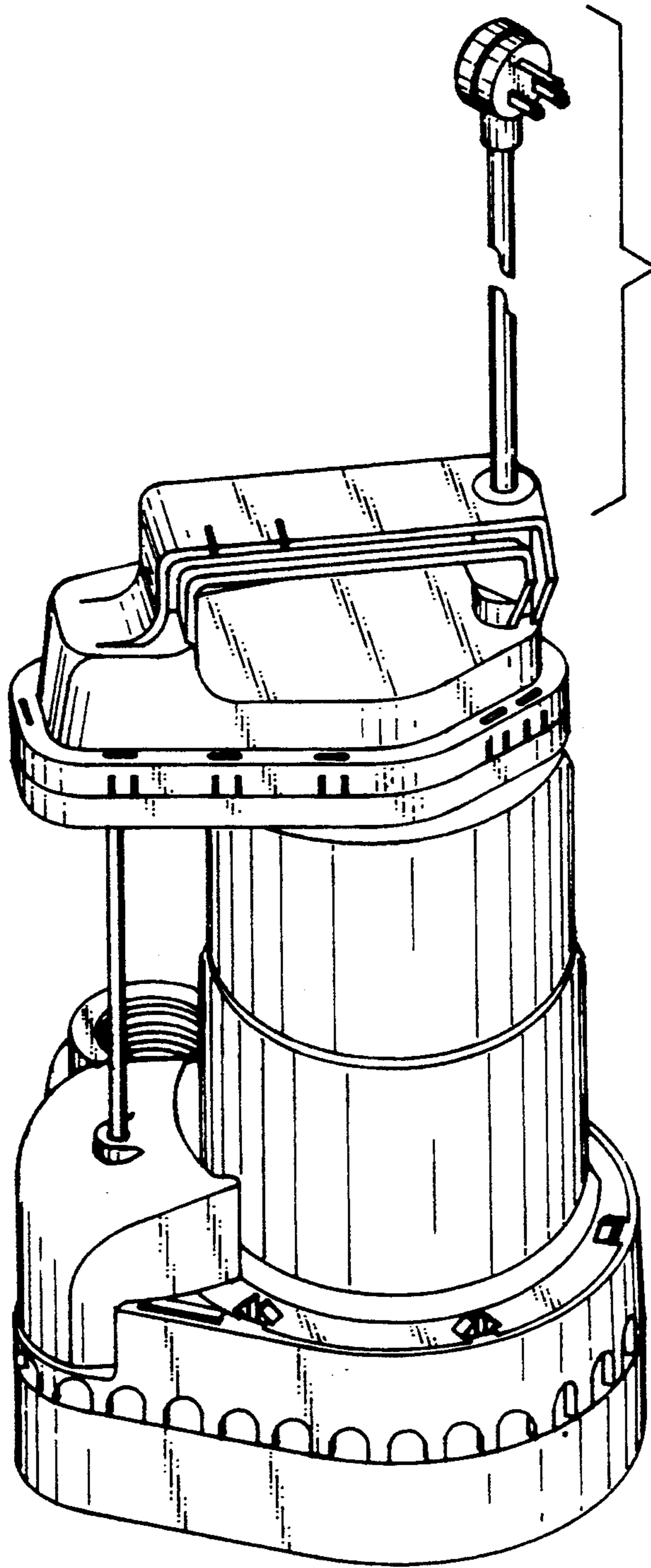


FIG. 7