



US00D351595S

# United States Patent [19]

[11] Patent Number: **Des. 351,595**

Furui

[45] Date of Patent: **\*\* Oct. 18, 1994**

[54] **DIGITAL AUDIO DISC RECORDER  
COMBINED WITH A RADIO TUNER**

[75] Inventor: **Rie Furui**, Tokyo, Japan

[73] Assignee: **Sony Corporation**, Tokyo, Japan

[\*\*] Term: **14 Years**

[21] Appl. No.: **2,636**

[22] Filed: **Dec. 15, 1992**

[30] **Foreign Application Priority Data**

Jul. 22, 1992 [JP] Japan ..... 4-22018

[52] U.S. Cl. .... **D14/168**

[58] Field of Search ..... 455/344, 350, 351;  
D14/156, 160-168, 188, 196

[56] **References Cited**

**U.S. PATENT DOCUMENTS**

- D. 318,863 8/1991 Mori ..... D14/163
- D. 341,140 11/1993 Uehara ..... D14/168
- D. 341,141 11/1993 Nara ..... D14/168

*Primary Examiner*—Bernard Ansher

*Assistant Examiner*—Richelle Shelton  
*Attorney, Agent, or Firm*—Lewis H. Eslinger; Jay H. Maioli

[57] **CLAIM**

The ornamental design for a digital audio disc recorder combined with a radio tuner, as shown and described.

**DESCRIPTION**

FIG. 1 is a top, front and right-side perspective view of a digital audio disc recorder combined with a radio tuner, showing my new design;

FIG. 2 is a top, front and right-side perspective thereof, shown with audio disc inserted therein, the audio disc shown in dashed lines is for illustrative purposes only and forms no part of the claimed invention;

FIG. 3 is a top, front and right-side perspective view thereof, shown with antenna partially raised and control panel lid in the open position;

FIG. 4 is a front elevational view thereof;

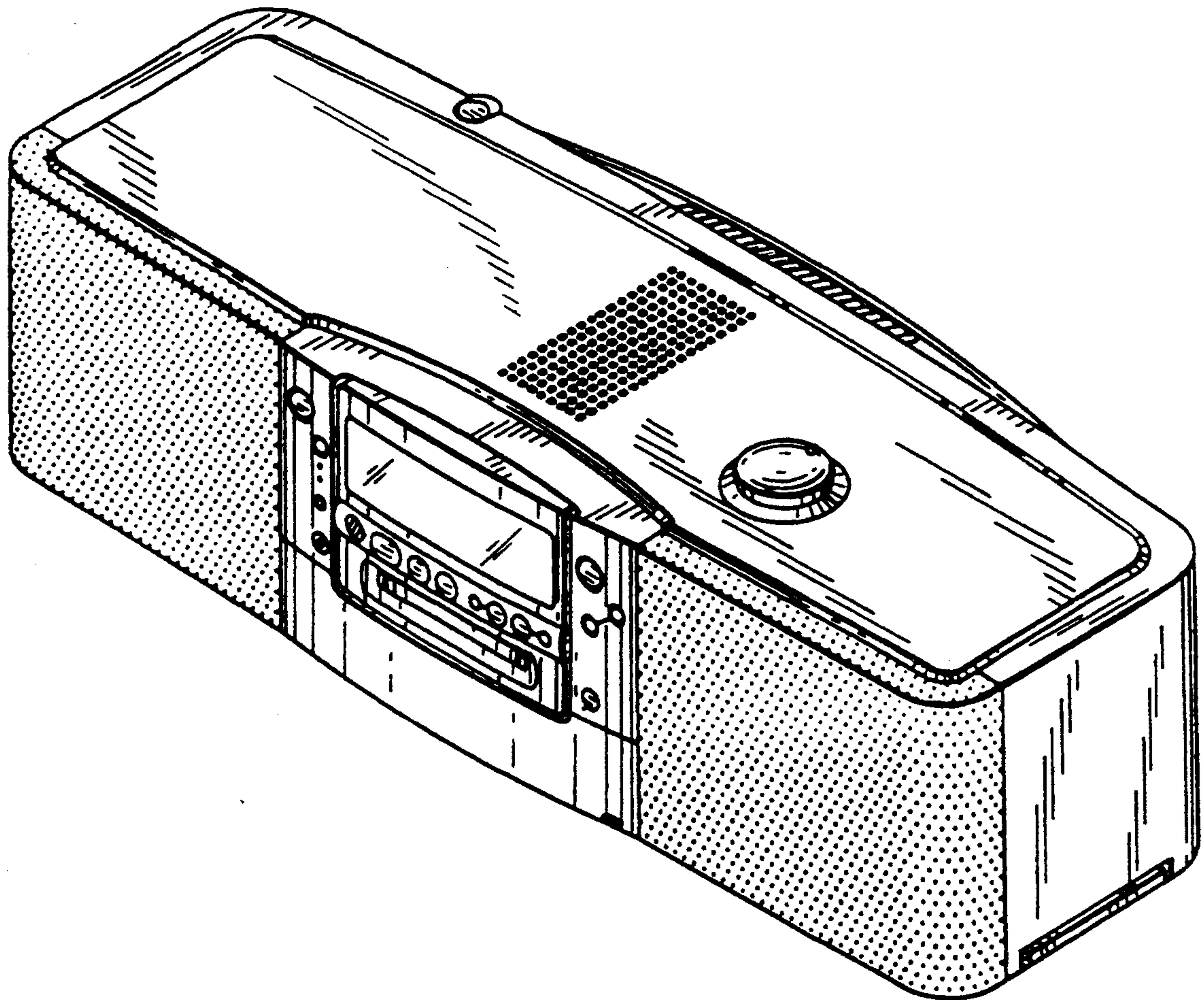
FIG. 5 is a rear elevational view thereof;

FIG. 6 is a left-side elevational view thereof;

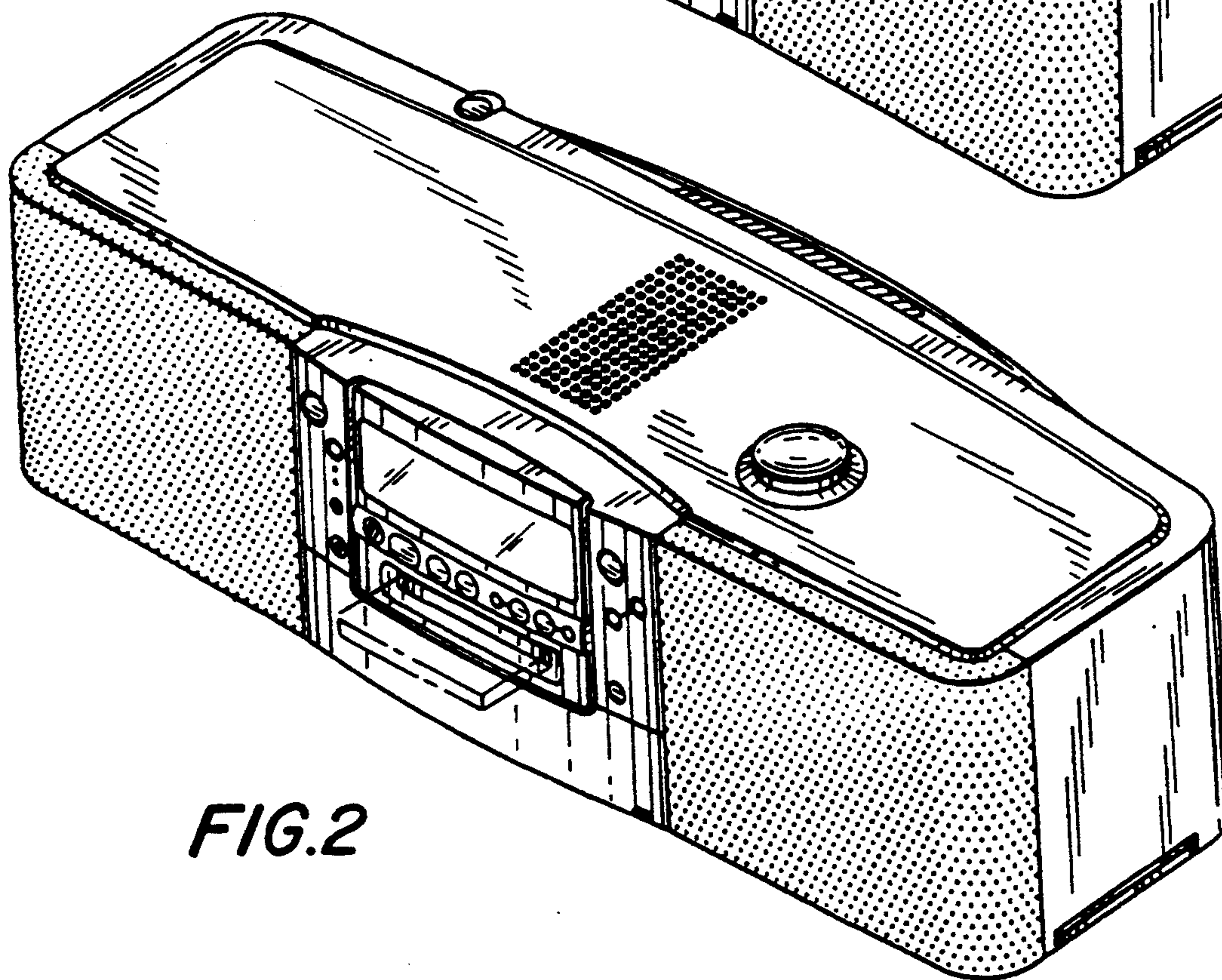
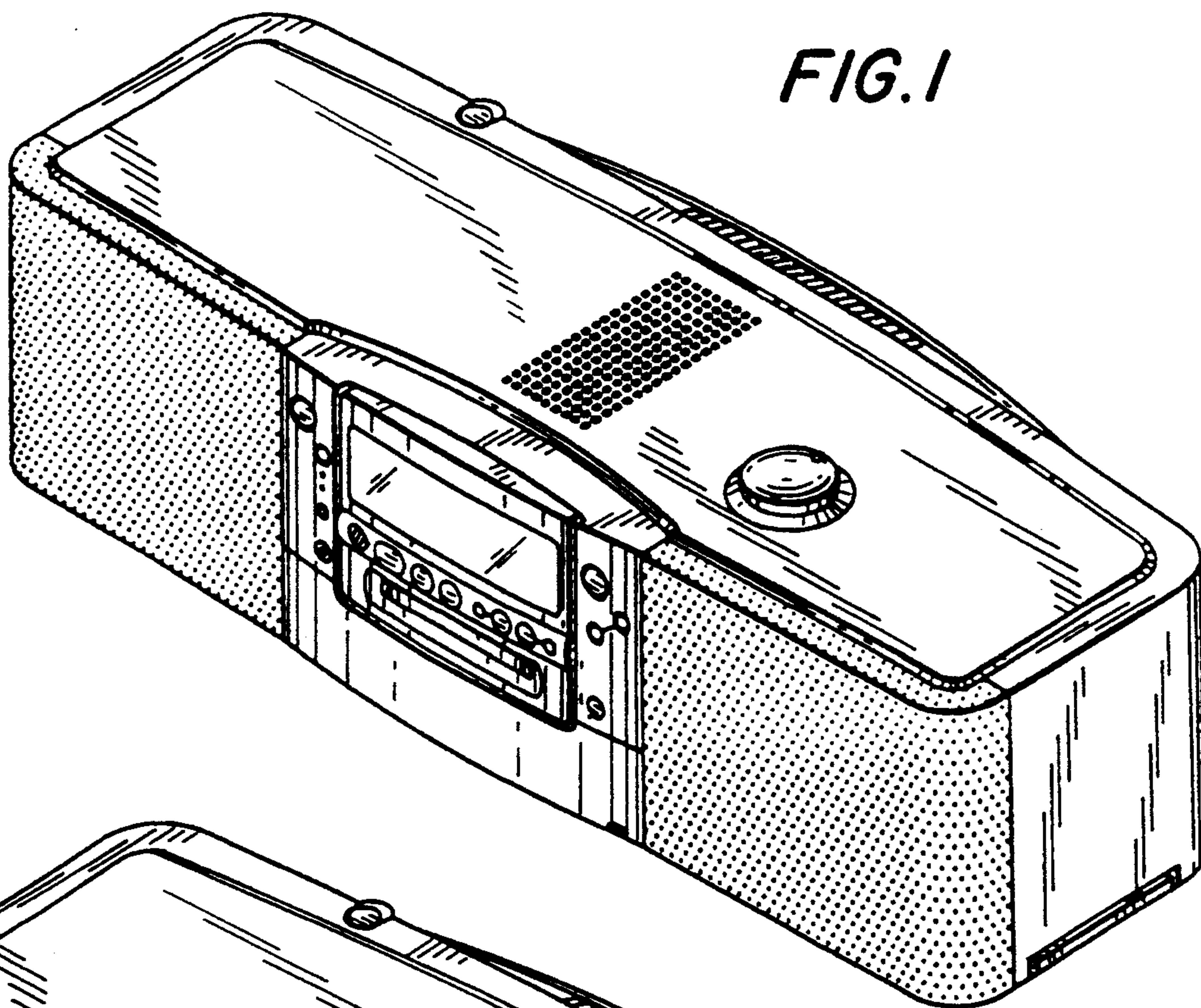
FIG. 7 is a right-side elevational view thereof;

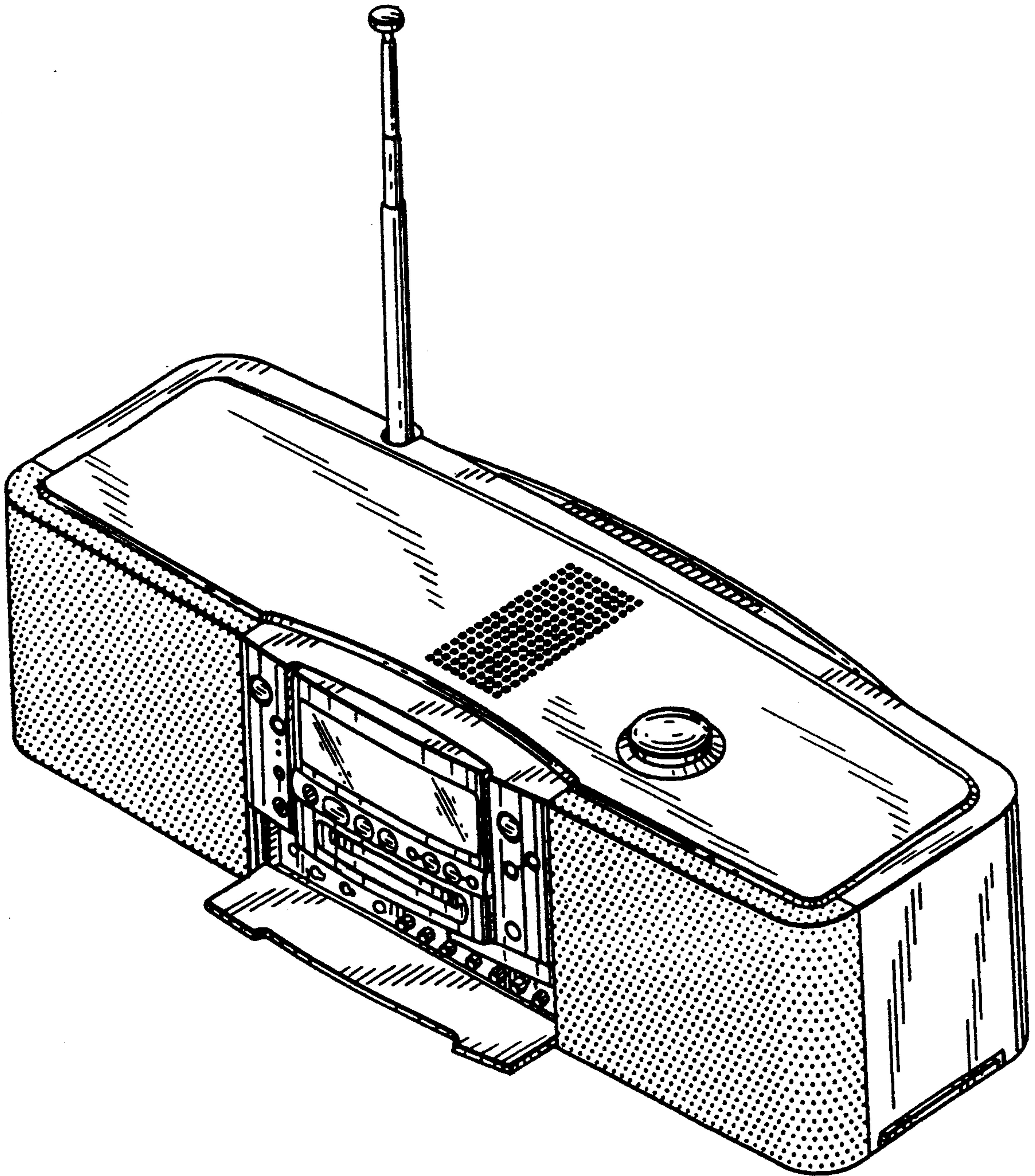
FIG. 8 is a top plan view thereof; and,

FIG. 9 is a bottom plan view thereof.



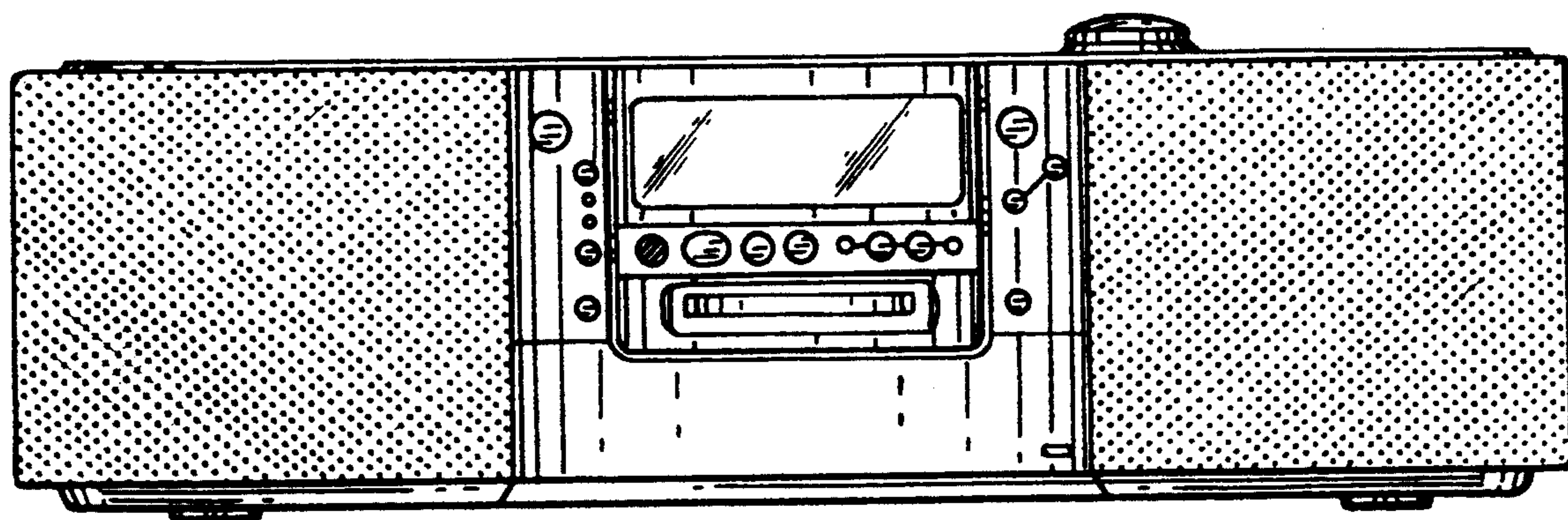






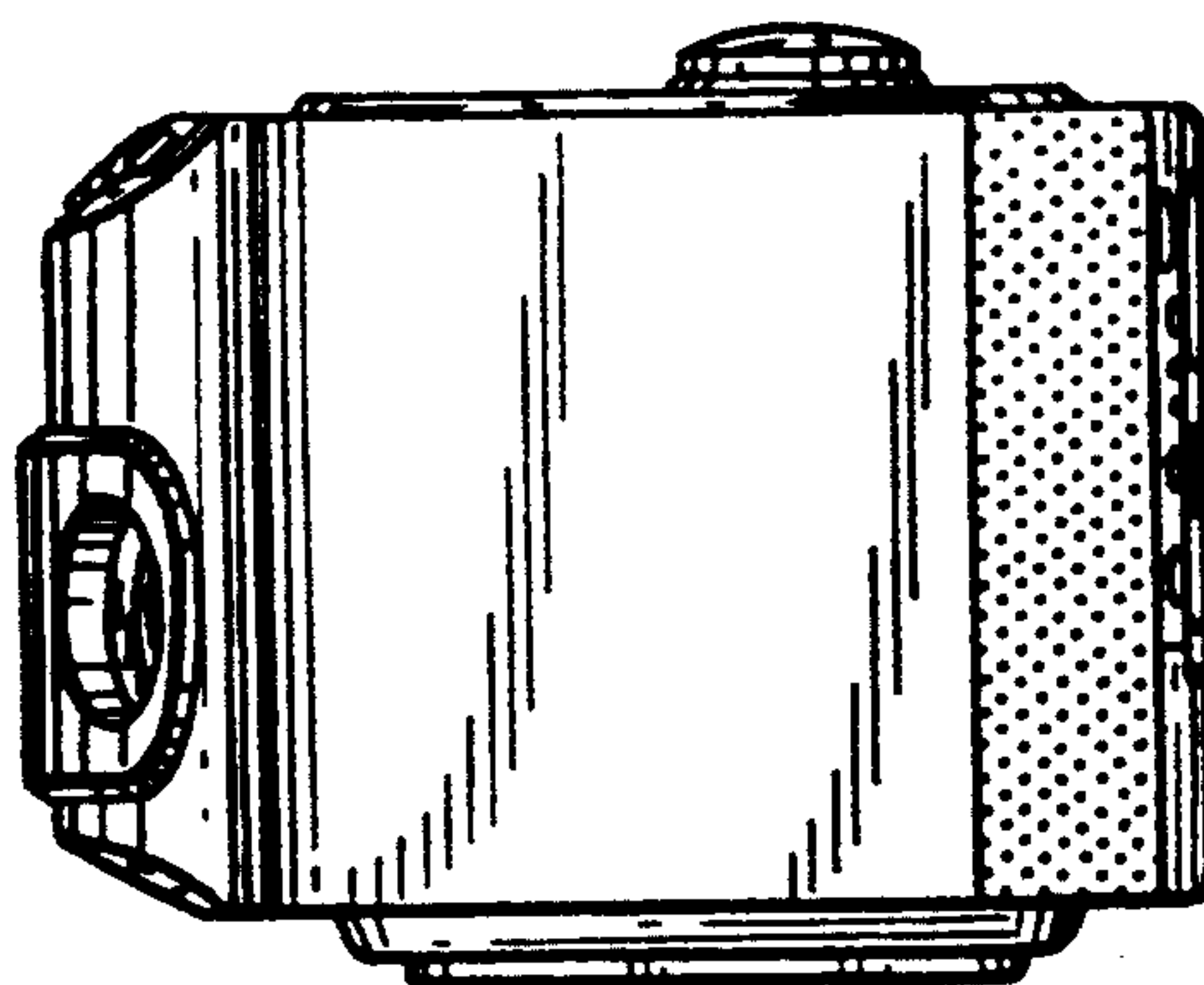
**FIG. 3**



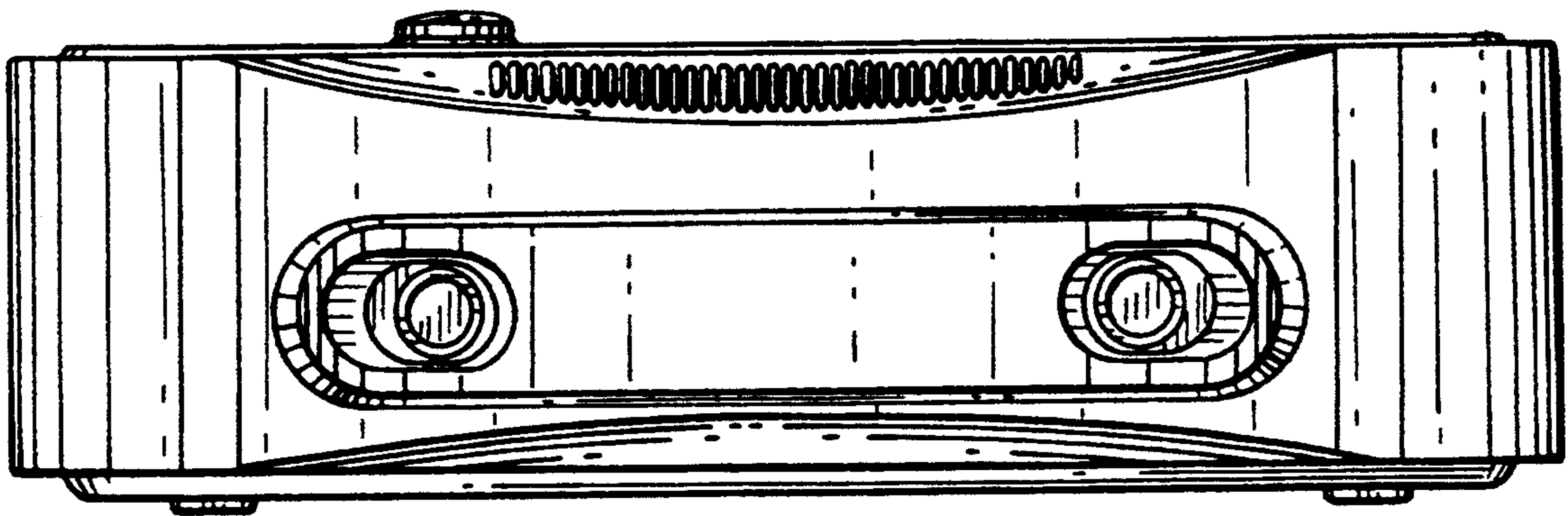


*FIG. 4*

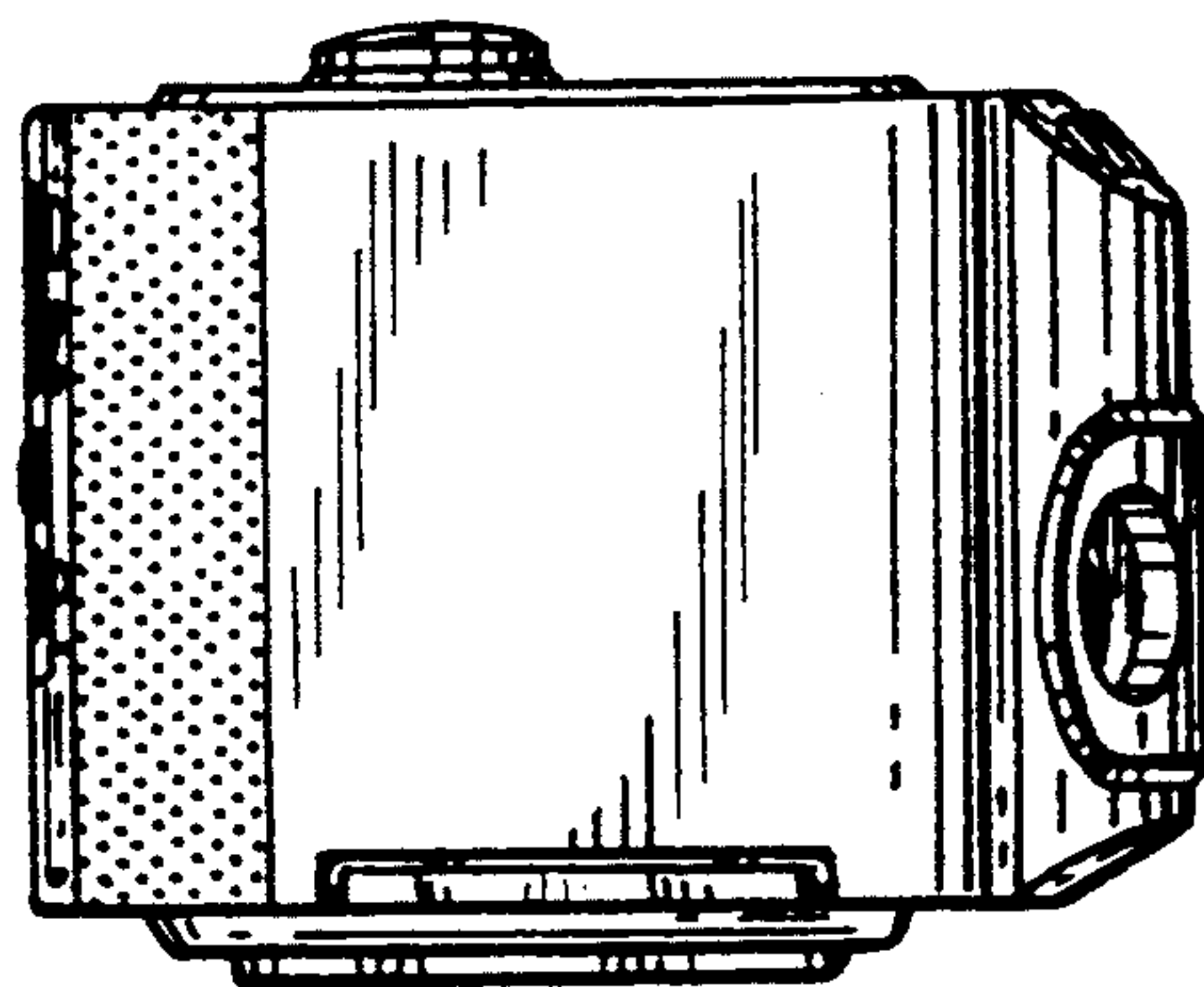
*FIG. 6*

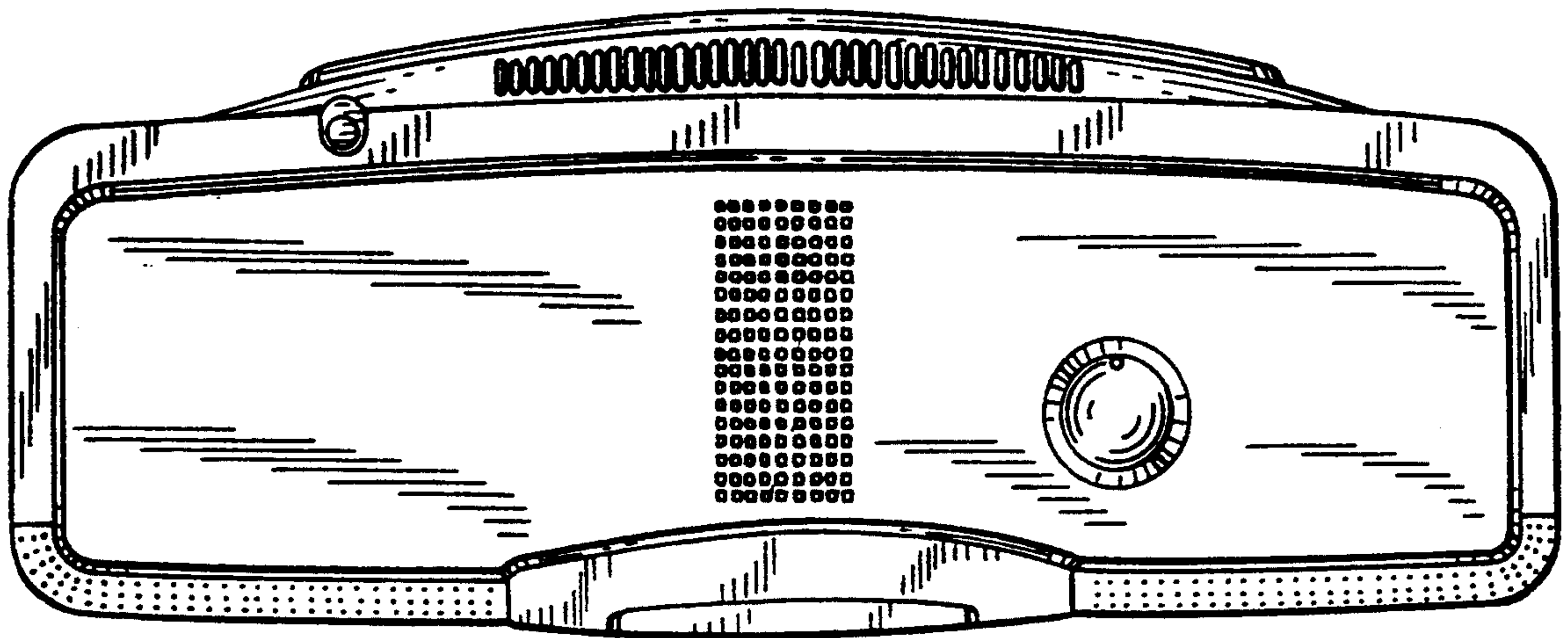


*FIG. 5*



*FIG. 7*





*FIG. 8*

*FIG. 9*

