



US00D351587S

United States Patent [19] Puchammer

[11] Patent Number: **Des. 351,587**
[45] Date of Patent: **** Oct. 18, 1994**

[54] WINDOWED SC FIBER OPTIC CONNECTOR

[75] Inventor: **Julius T. Puchammer**, Edison, N.J.

[73] Assignee: **Minnesota Mining and Manufacturing Company**, St. Paul, Minn.

[**] Term: **14 Years**

[21] Appl. No.: **5,878**

[22] Filed: **Mar. 16, 1993**

[52] U.S. Cl. **D13/133**

[58] Field of Search 385/53, 54, 55, 75,
385/78; D13/133

[56] **References Cited**

U.S. PATENT DOCUMENTS

5,123,071	6/1992	Mulholland	358/53
5,159,652	10/1992	Grassin D'Alphonse et al. ...	385/53 X
5,212,752	5/1993	Stephenson et al.	385/78
5,274,729	12/1993	King et al.	385/53 X

FOREIGN PATENT DOCUMENTS

2241794 9/1991 United Kingdom 385/53

OTHER PUBLICATIONS

JIS (Japanese Industrial Standard) Brochure—"FO4 Type Connectors for Optical Fiber Cords", JIS C 5973 Copyright 1990.

Fiber-Optic Connector on p. 208 of EDN Jan. 21, 1991.

Primary Examiner—James M. Gandy

Assistant Examiner—Joel Sincavage

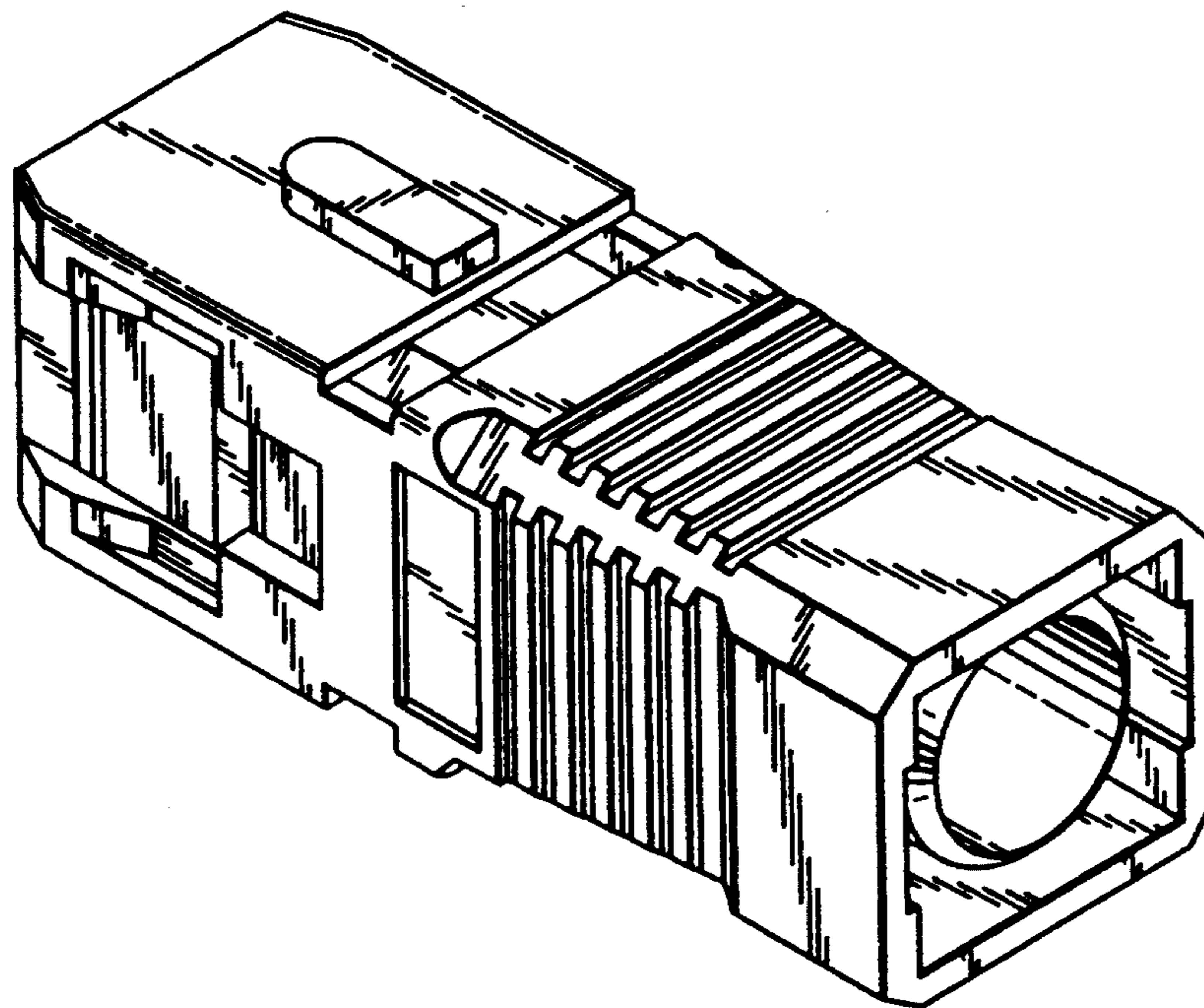
Attorney, Agent, or Firm—Gary L. Griswold; Walter N. Kirn; Jack V. Musgrove

[57] **CLAIM**

The ornamental design for a windowed SC fiber optic connector, as shown and described.

DESCRIPTION

FIG. 1 is a perspective view of a windowed SC fiber optic connector showing my new design; FIG. 2 is a front elevational view thereof; FIG. 3 is a left side elevational view thereof, and is a mirror image of the right side elevational view thereof; FIG. 4 is a rear elevational view thereof; FIG. 5 is a top plan view thereof; and, FIG. 6 is a bottom view thereof.



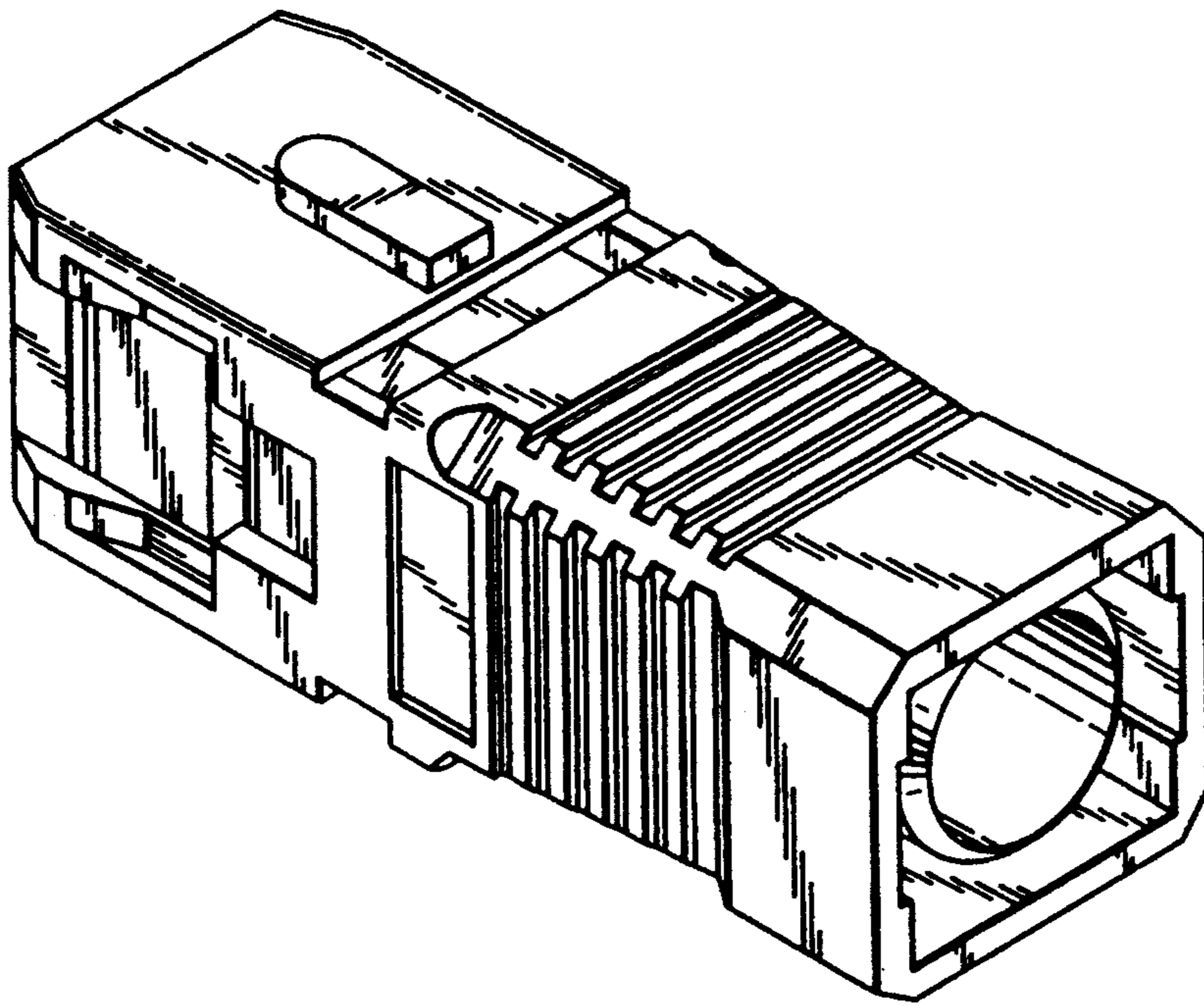


FIG.1

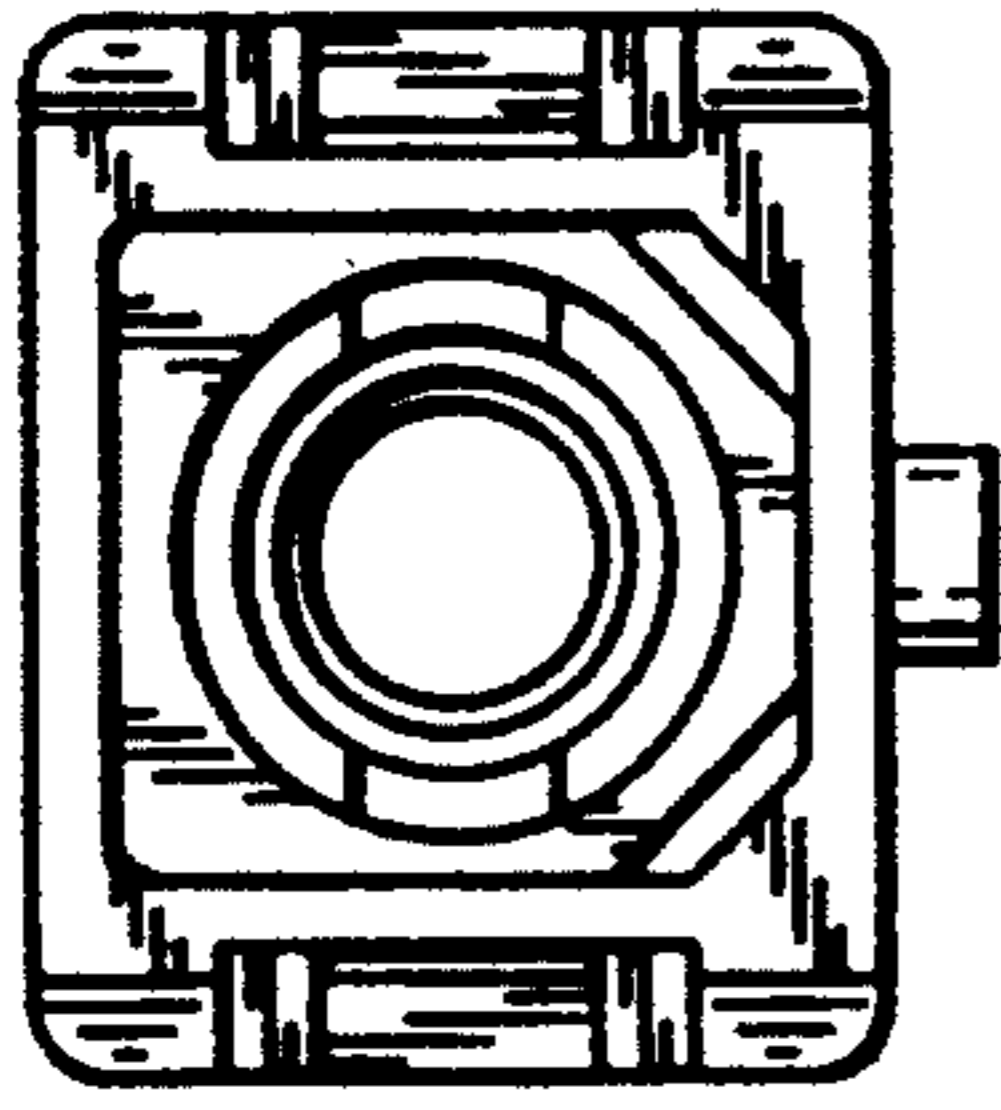


FIG. 2

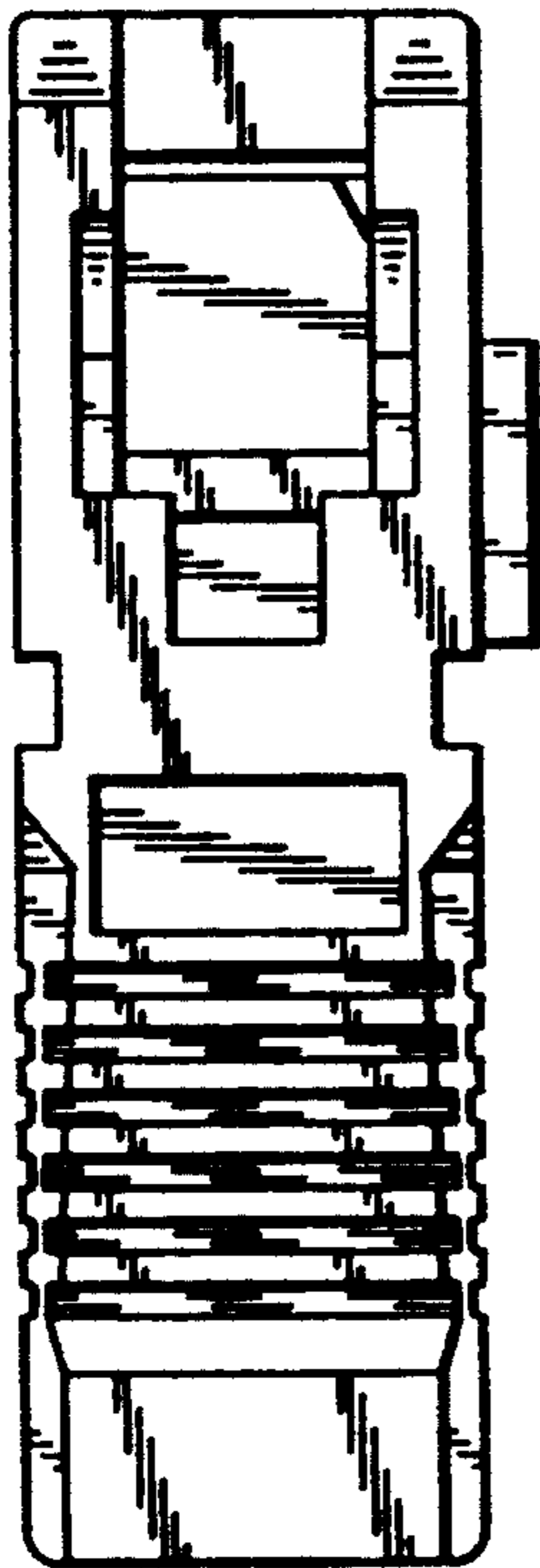


FIG. 3

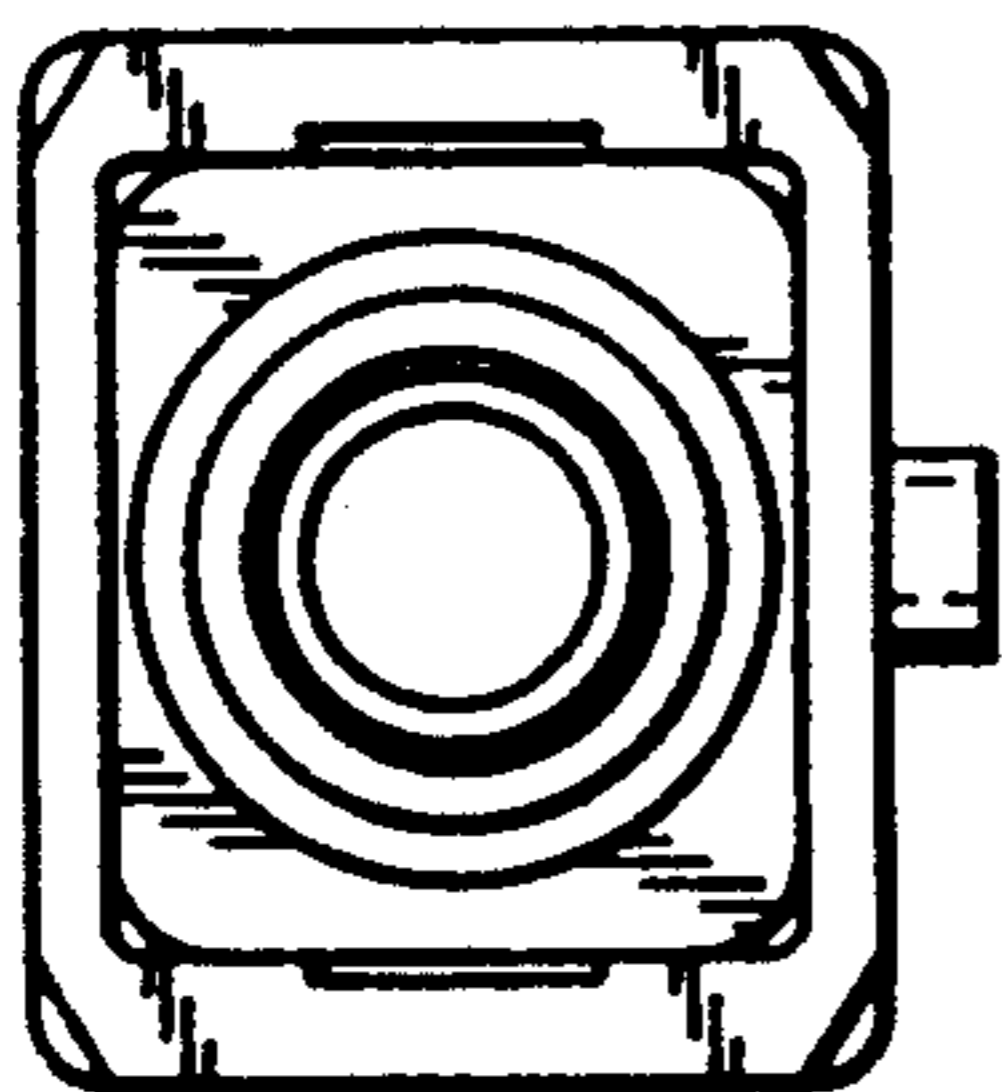


FIG. 4

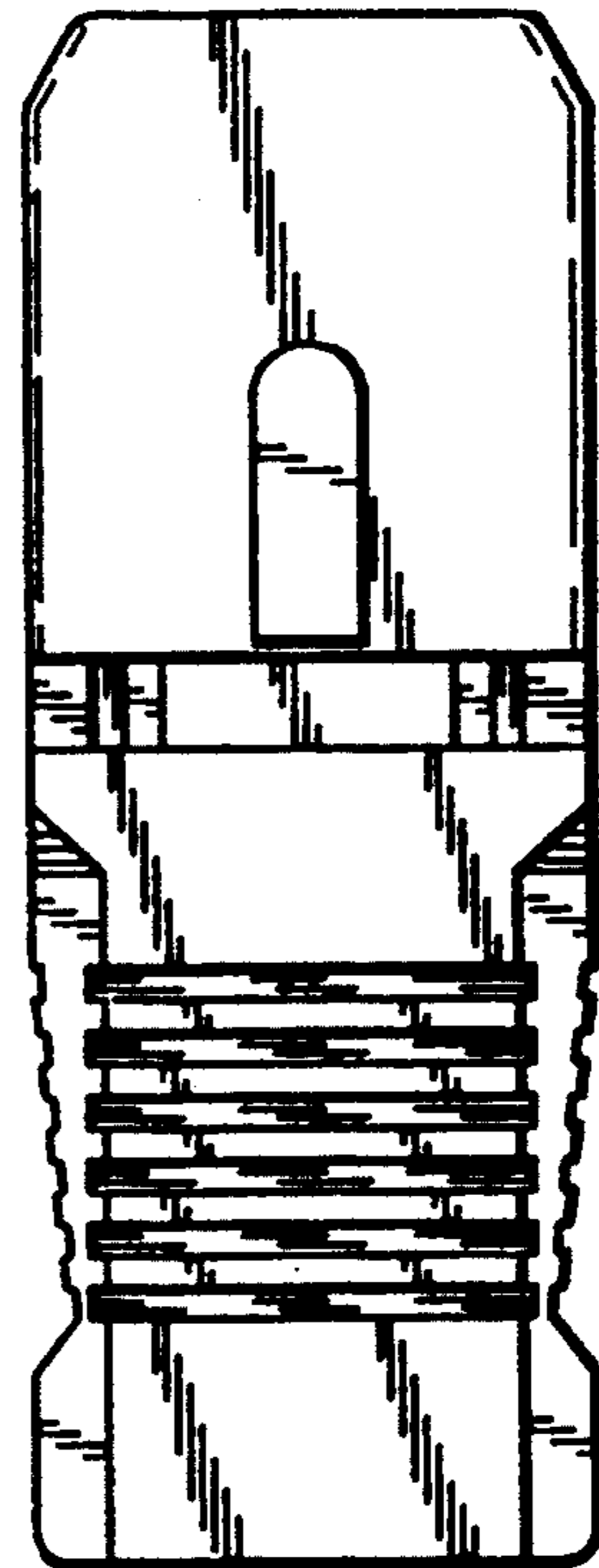


FIG. 5

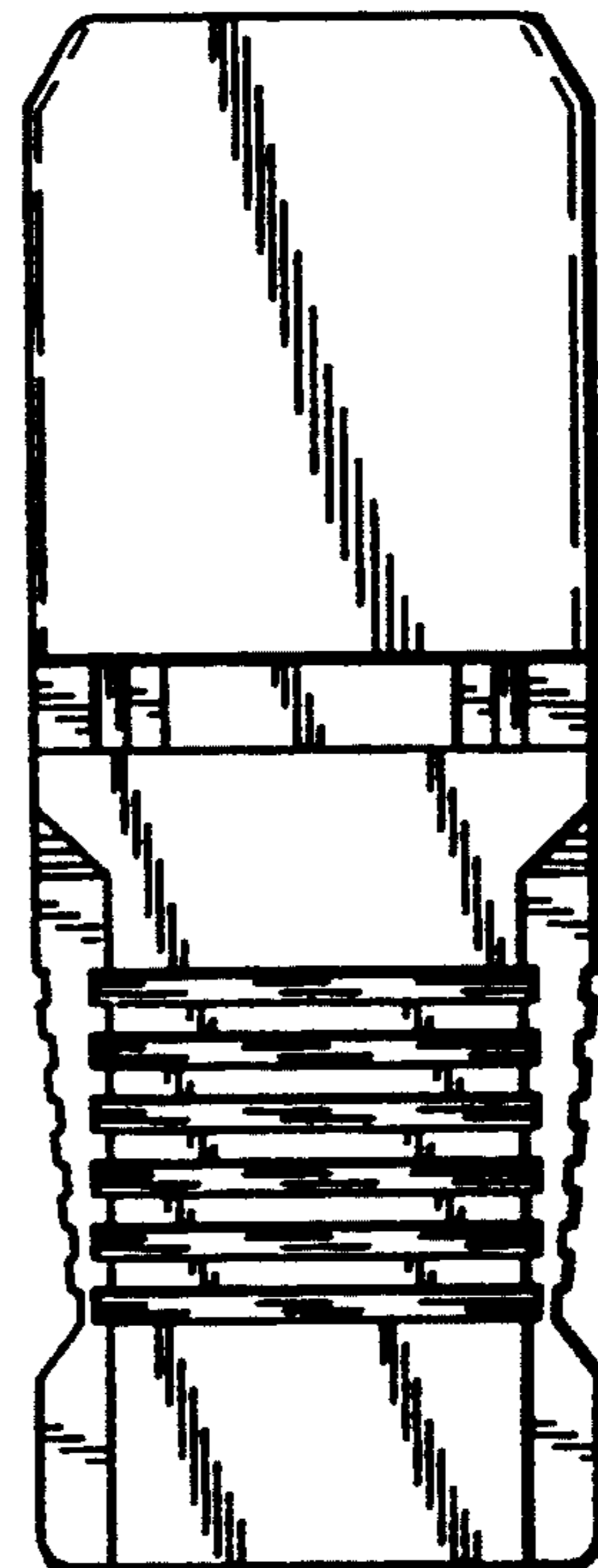


FIG. 6