



US00D351580S

# United States Patent [19]

[11] Patent Number: **Des. 351,580**

Montgomery

[45] Date of Patent: **\*\* Oct. 18, 1994**

[54] **TRUCK TAILGATE FAIRING**

[76] Inventor: **Eddie R. Montgomery**, 5016 Fernhill Dr., St. Louis, Mo. 63128

[\*\*] Term: **14 Years**

[21] Appl. No.: **17,238**

[22] Filed: **Jan. 7, 1994**

**Related U.S. Application Data**

[62] Division of Ser. No. 860,347, Mar. 30, 1992, Pat. No. Des. 345,335.

[52] U.S. Cl. .... **D12/196; D12/181**

[58] Field of Search ..... 296/50, 56, 57.1, 180.1; D12/98, 181, 196

[56] **References Cited**

**U.S. PATENT DOCUMENTS**

D. 295,278	4/1988	Smith .....	D12/196
4,763,944	8/1988	Fry et al. ....	296/50
4,902,066	2/1990	Norman .....	296/180.1
4,932,705	6/1990	Miller .....	296/50
4,968,084	11/1990	Asher et al. ....	296/57.1
5,110,172	5/1992	Ney et al. ....	296/50

**OTHER PUBLICATIONS**

J. C. Whitney Catalog No. 515J, © 1990, p. 61, Custom-Fit Stainless Steel Tailgate Accent Panel, top left side of page.

*Primary Examiner*—James M. Gandy

*Attorney, Agent, or Firm*—Rogers Howell & Haferkamp

[57] **CLAIM**

The ornamental design for a truck tailgate fairing, as shown and described.

**DESCRIPTION**

FIG. 1 is a front perspective view of a truck tailgate fairing showing my new design;

FIG. 2 is a rear perspective view thereof;

FIG. 3 is a top plan view thereof;

FIG. 4 is a front elevation view thereof;

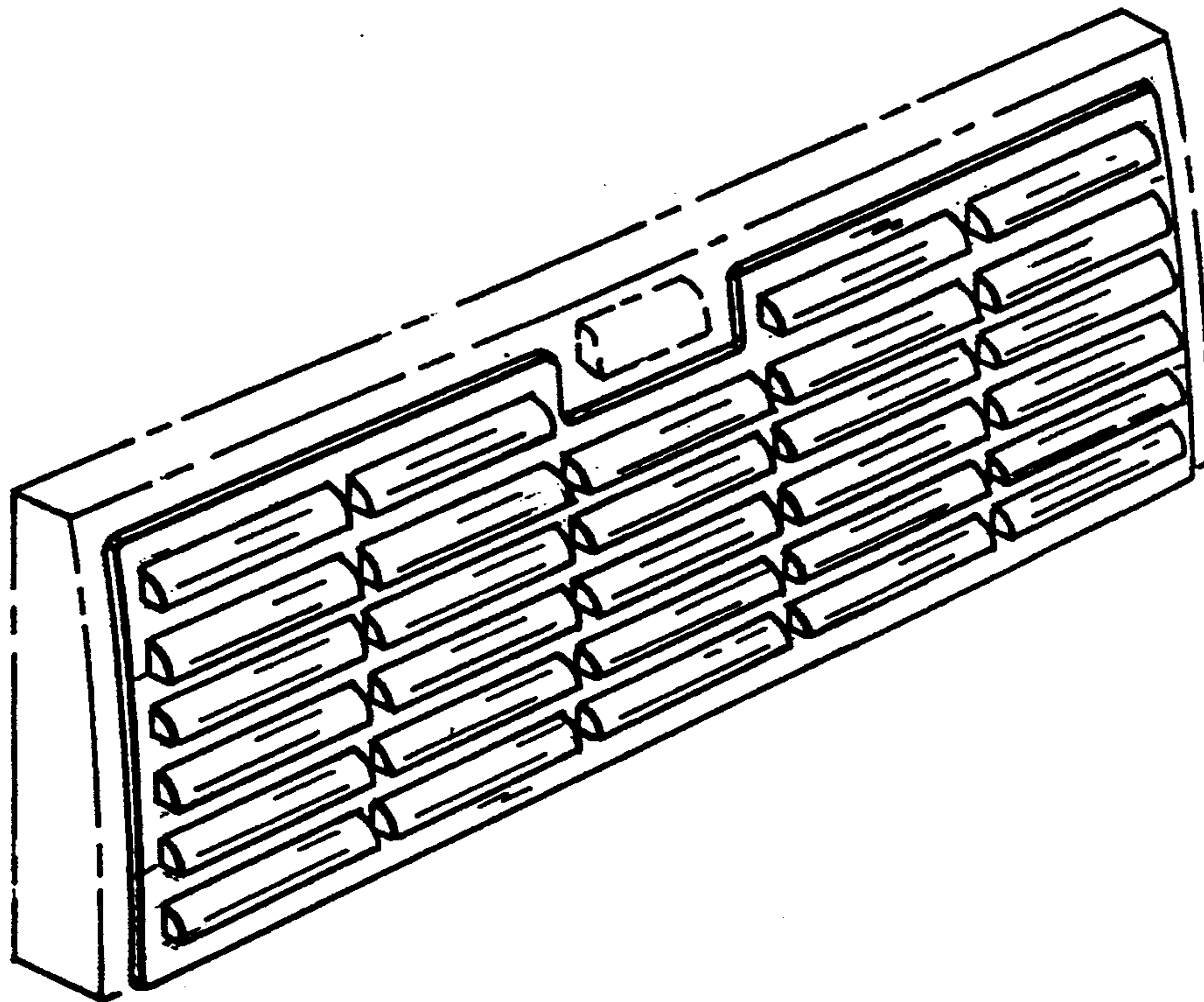
FIG. 5 is a left side elevation view thereof; and,

FIG. 6 is a right side elevation view thereof;

FIG. 7 is a rear elevation view thereof; and,

FIG. 8 is a bottom plan view thereof.

The broken line showing of a truck tailgate in FIGS. 1, 2, 4 and 5 of the drawings is for illustrative purposes only and forms no part of the claimed design.



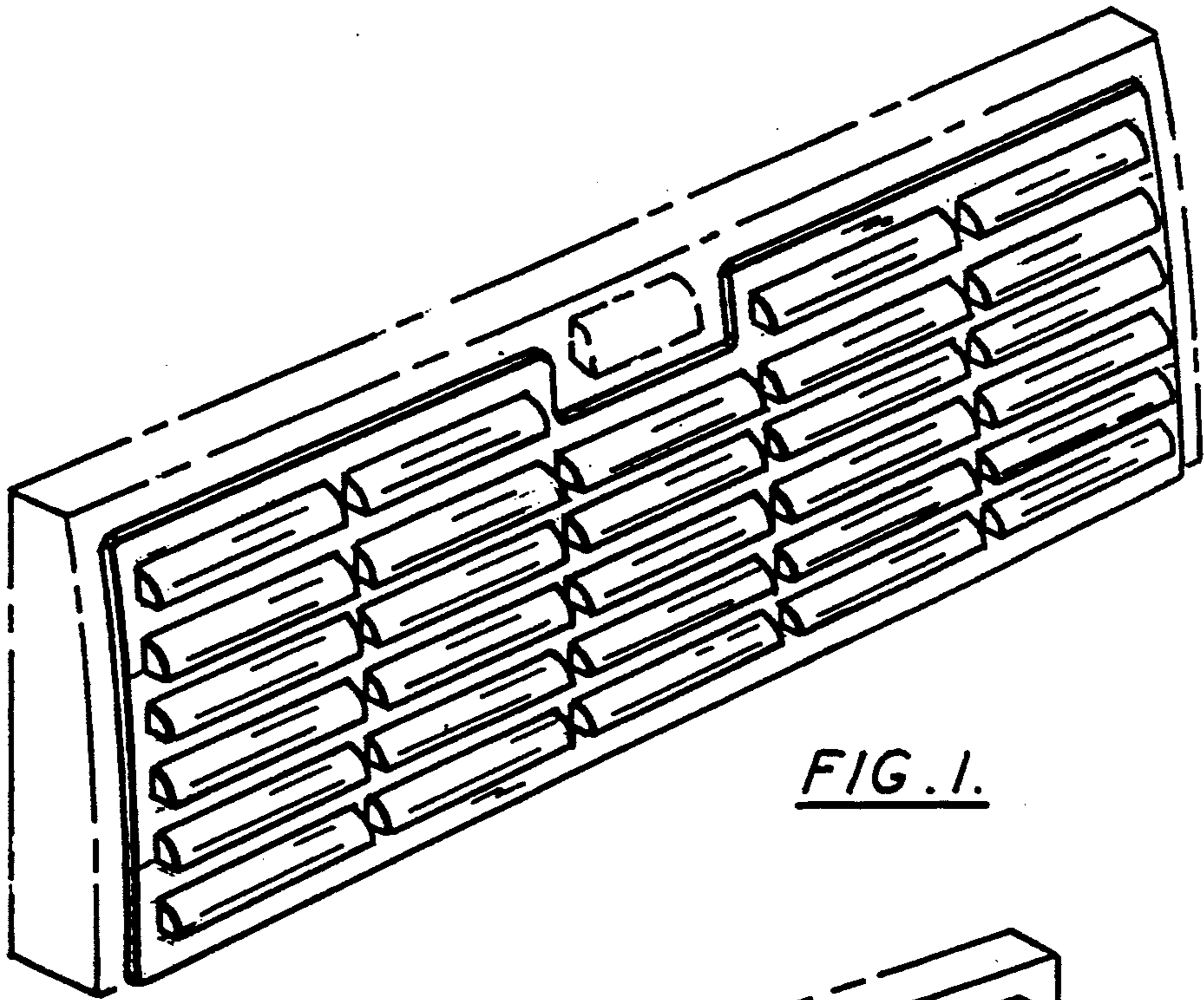


FIG. 1.

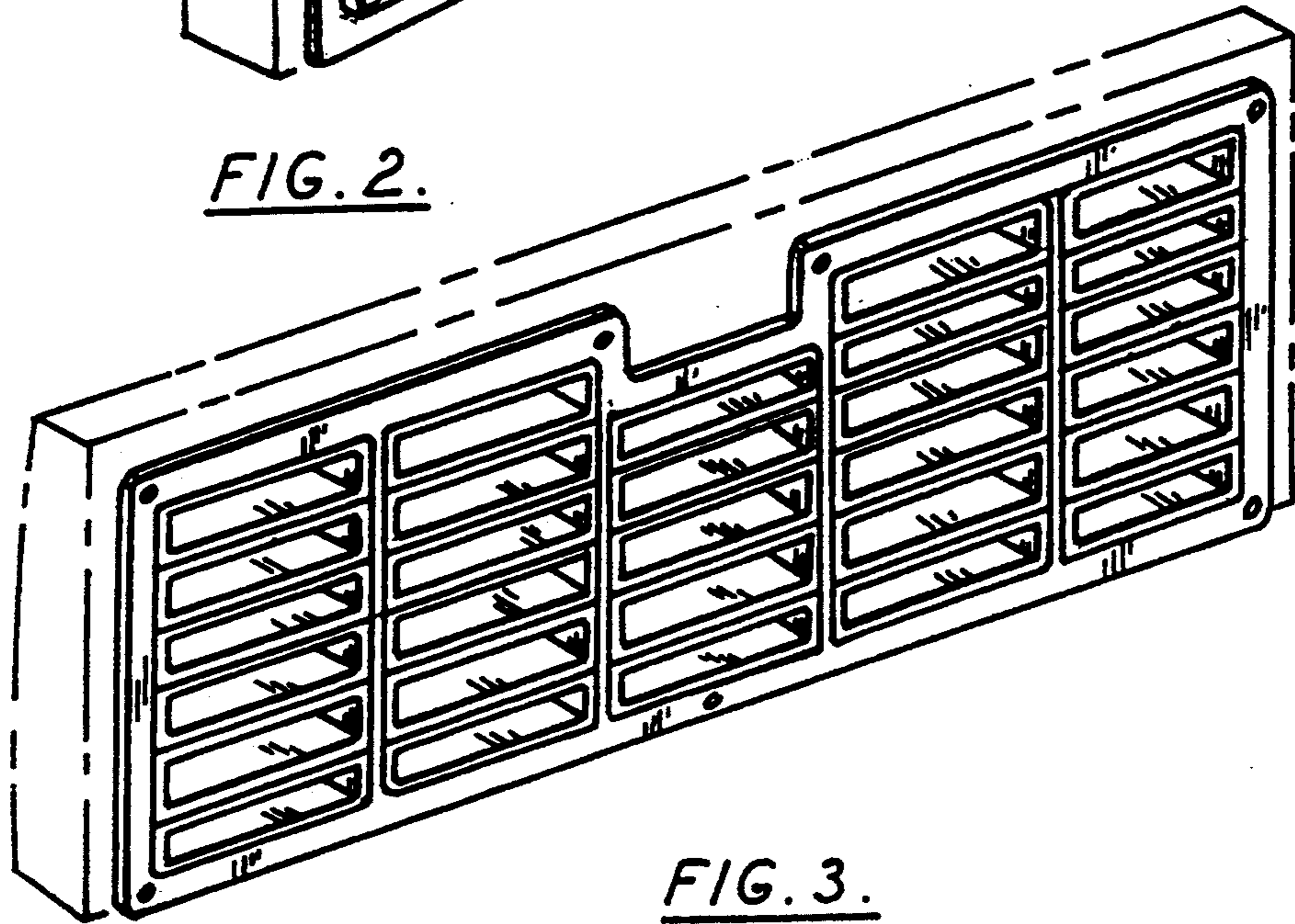


FIG. 2.



FIG. 3.

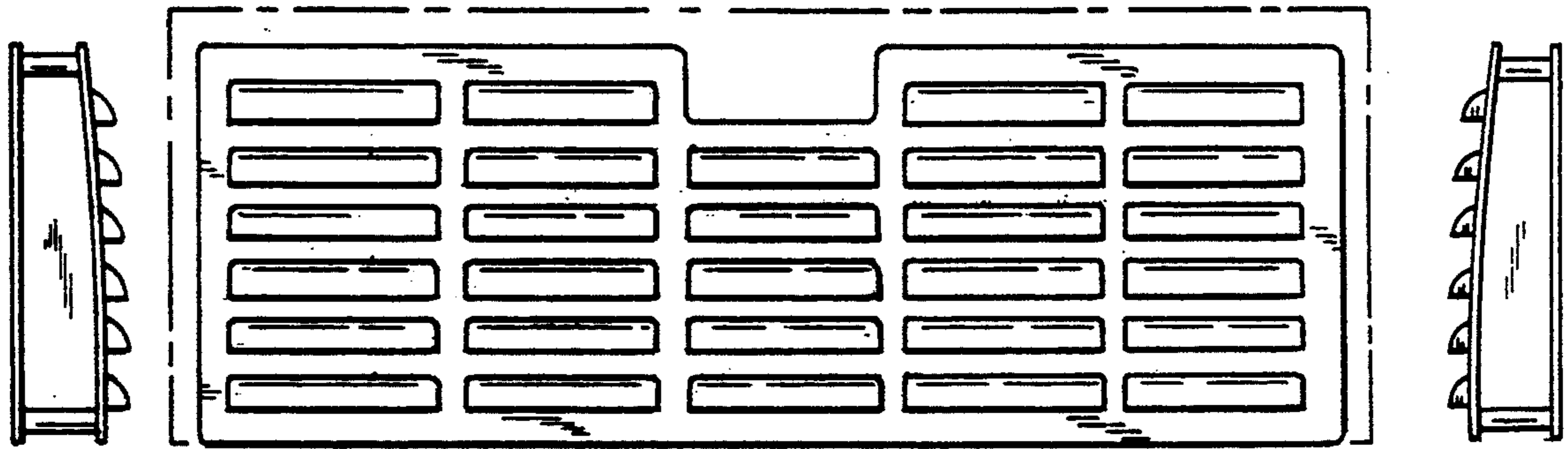


FIG. 5.

FIG. 4.

FIG. 6.

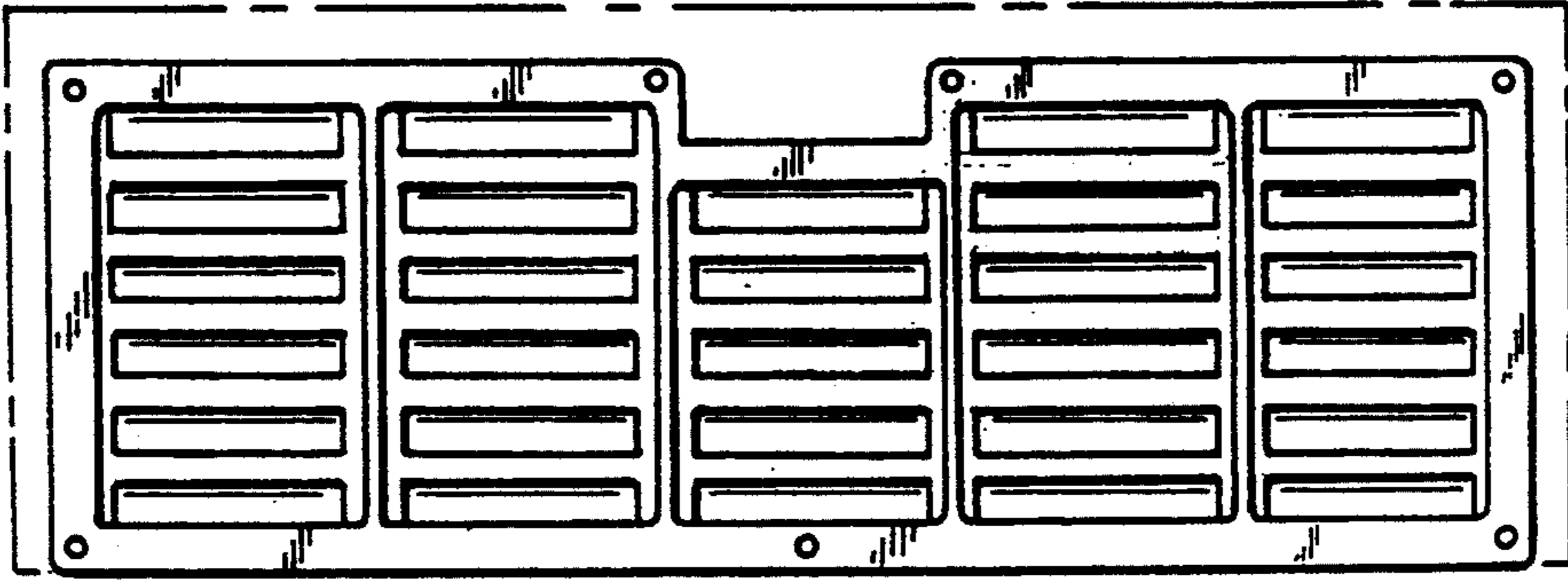


FIG. 7.



FIG. 8.