



US00D351578S

United States Patent [19]
Whitt

[11] **Patent Number: Des. 351,578**
[45] **Date of Patent: ** Oct. 18, 1994**

[54] **ADD-ON SUNVISOR**

[76] **Inventor: Joe Whitt, 595 Westshore Rd., Casper, Wyo. 82601**

[**] **Term: 14 Years**

[21] **Appl. No.: 13,368**

[22] **Filed: Sep. 23, 1993**

[52] **U.S. Cl. D12/191**

[58] **Field of Search 296/97.1, 97.6, 97.7, 296/97.8, 97.11; D12/191**

[56] **References Cited**

U.S. PATENT DOCUMENTS

D. 298,427	11/1988	Jönsas	D12/191
D. 334,551	4/1993	Andres	D12/191
D. 339,785	9/1993	Scherau	D12/191
4,635,995	1/1987	Mineck	296/97.6
4,666,205	5/1987	Nakagawa	296/97.6
4,681,363	7/1987	Hemmeke	296/97.6

OTHER PUBLICATIONS

JC Whitney & Co Catalog No. 540J ©1992, p. 84, the 4-way sunvisor extension (at the bottom of the page).

Primary Examiner—James M. Gandy

Assistant Examiner—M. Brown

Attorney, Agent, or Firm—Terry M. Gernstein

[57] **CLAIM**

The ornamental design for an add-on sunvisor, as shown.

DESCRIPTION

FIG. 1 is a front, top and side perspective view of the add-on sunvisor showing my new design;

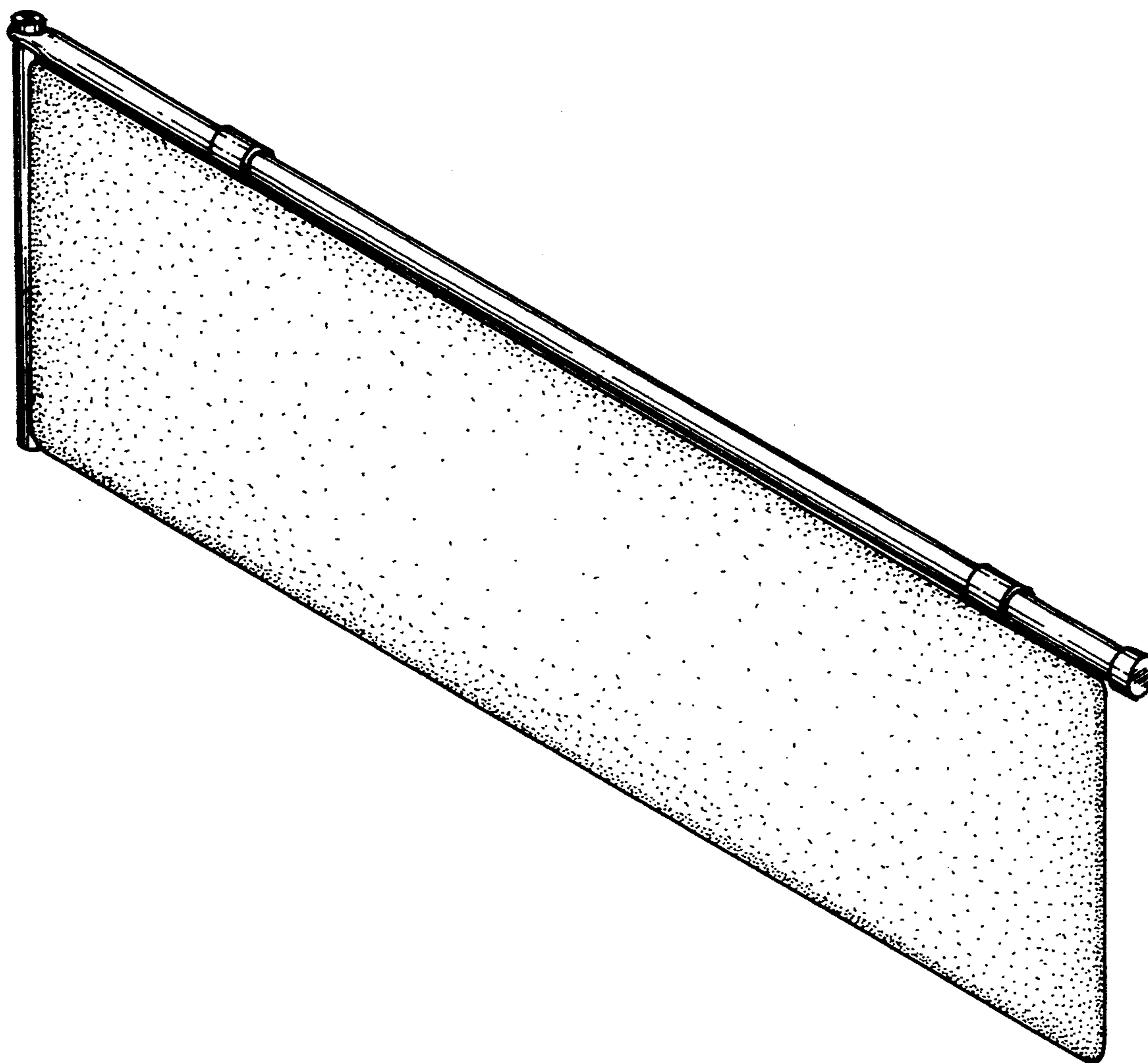
FIG. 2 is a front elevational view thereof, the rear being a mirror image of the front shown in FIG. 2;

FIG. 3 is an end elevational view thereof;

FIG. 4 is an end elevational view thereof;

FIG. 5 is a top plan view thereof; and,

FIG. 6 is a bottom plan view thereof.



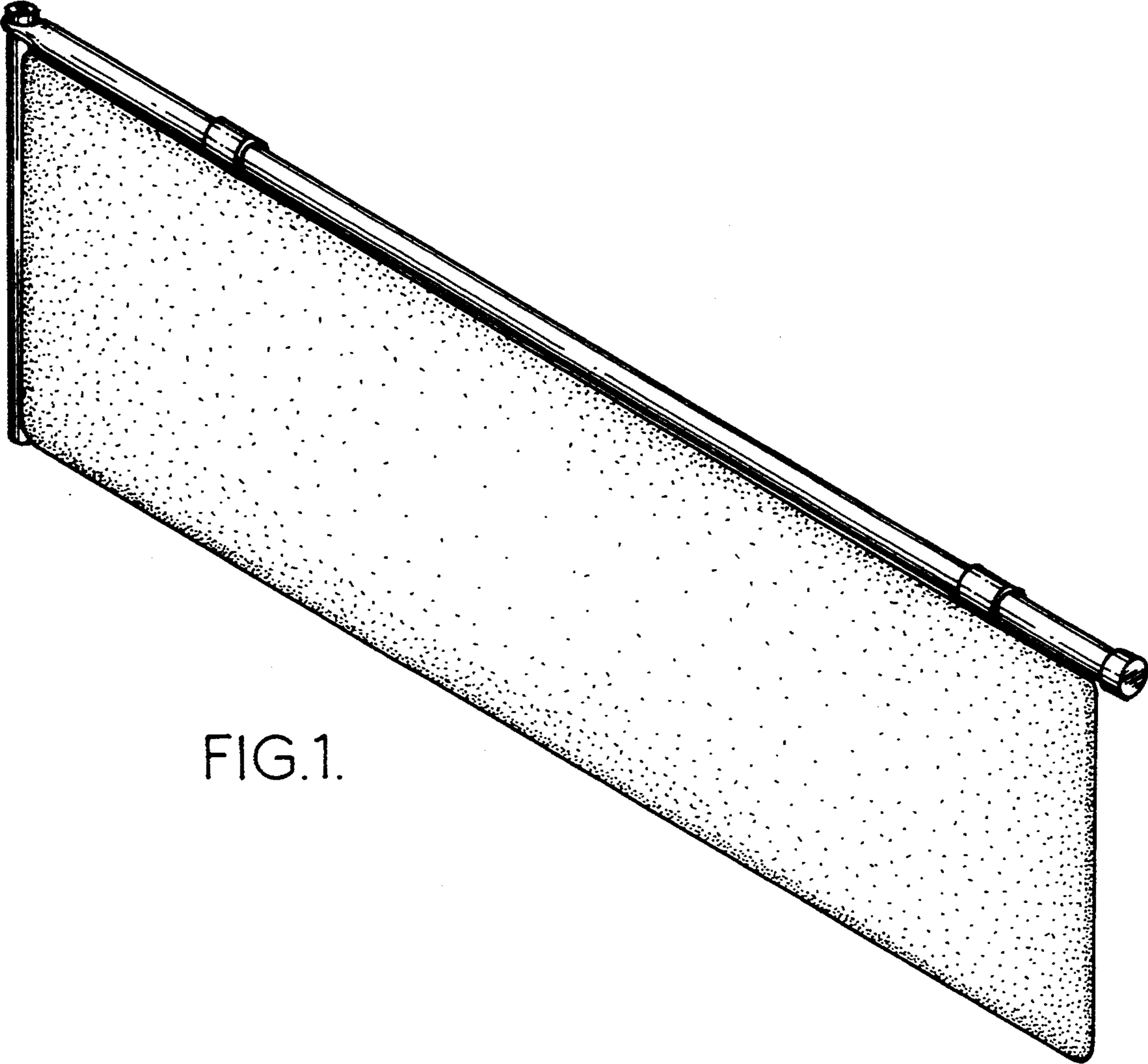


FIG.1.

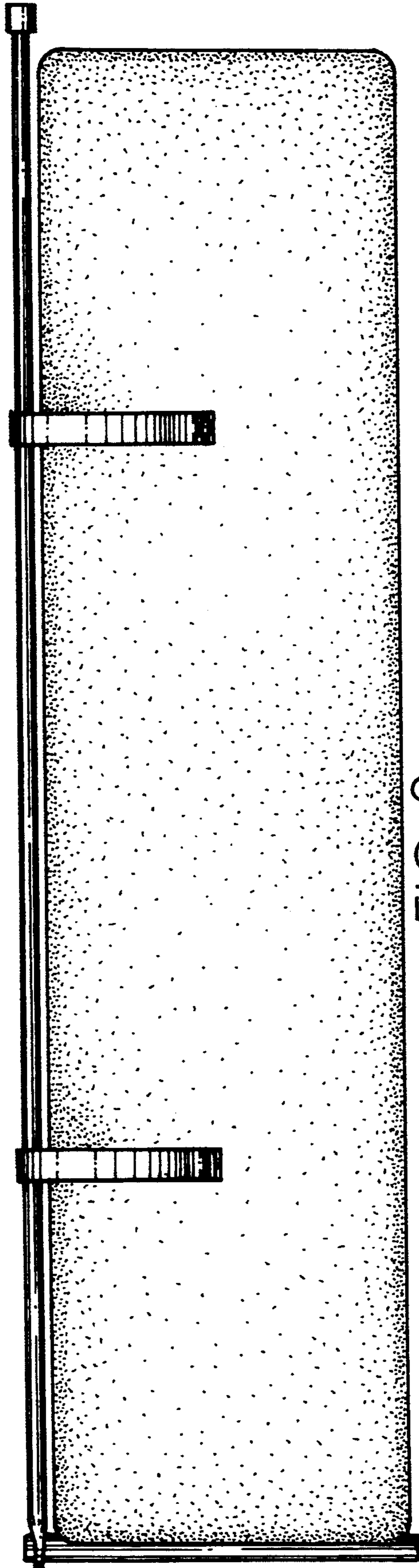


FIG. 2.

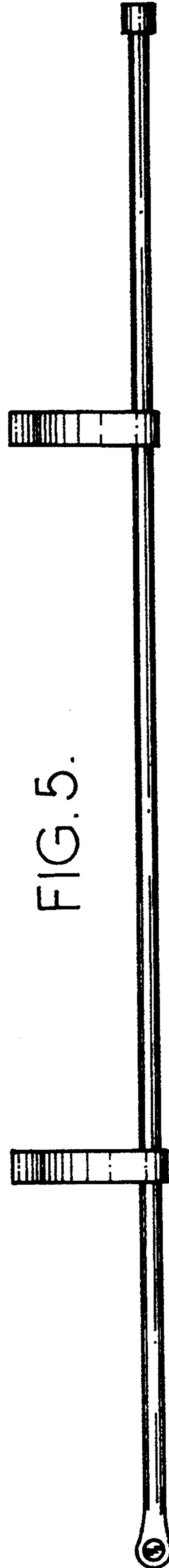


FIG. 5.



FIG. 6.

FIG. 4.

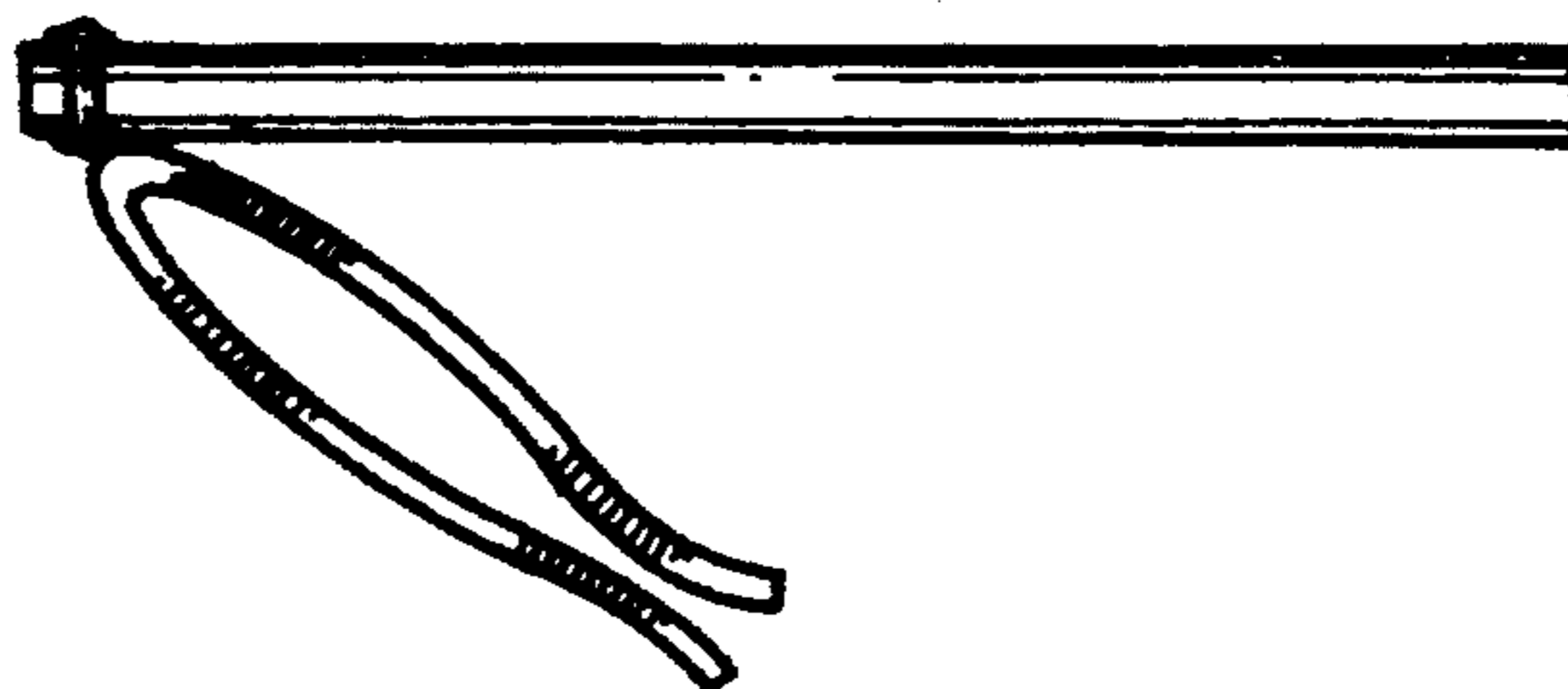


FIG. 3.

