



US00D351575S

United States Patent [19]

[11] Patent Number: **Des. 351,575**

Fenton et al.

[45] Date of Patent: **** Oct. 18, 1994**

[54] **TRAILER FOR TOWING BEHIND A BICYCLE**

[75] Inventors: **Timothy J. Fenton**, Wooster, Ohio;
Christopher D. Hageman, New Canaan, Conn.

[73] Assignee: **Cannondale Corporation**,
Georgetown, Conn.

[**] Term: **14 Years**

[21] Appl. No.: **10,968**

[22] Filed: **Jul. 21, 1993**

[52] U.S. Cl. **D12/102; D12/114**

[58] Field of Search **250/252, 204, 7.14;**
D12/102, 114

[56] **References Cited**

U.S. PATENT DOCUMENTS

D. 320,429	10/1993	Smith	D12/114
5,020,813	6/1991	Gottschalk	250/204
5,020,814	6/1991	George et al.	280/204

OTHER PUBLICATIONS

American Bicyclist & Motorcyclist, Mar. 1992, pp. 21 & 22, The Winchester & Alfo bicycle trailers.

American Bicyclist & Motorcyclist, Mar. 1992, pp. 24 & 29, The Cyclate, Cannondale & Blue Sky bicycle trailers.

Primary Examiner—Wallace R. Burke

Assistant Examiner—M. Brown

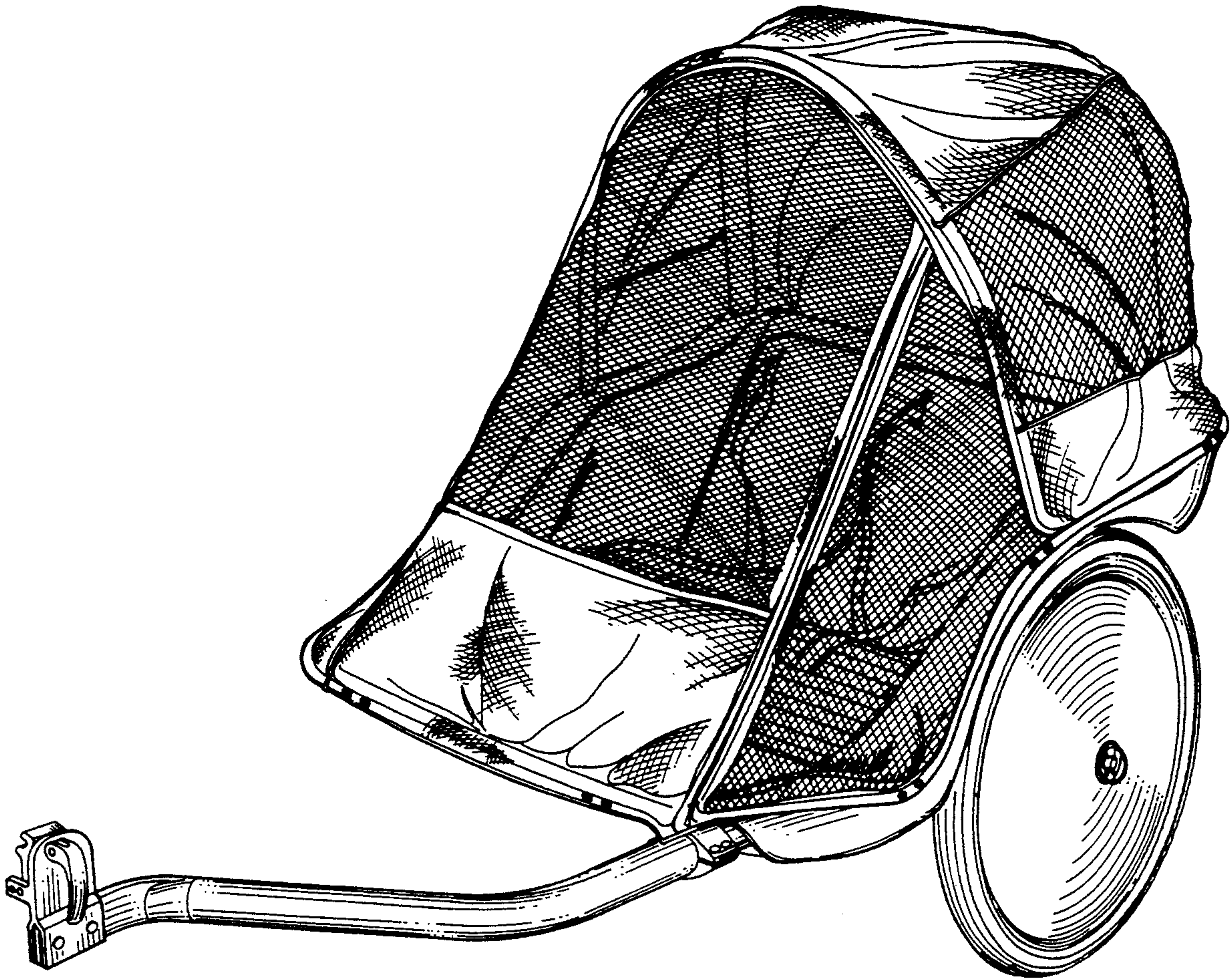
Attorney, Agent, or Firm—Brumbaugh, Graves,
Donohue & Raymond

[57] **CLAIM**

The ornamental design for a trailer for towing behind a bicycle, as shown.

DESCRIPTION

FIG. 1 is a perspective view of a trailer for towing behind a bicycle showing our new design; FIG. 2 is a right side elevational view thereof; FIG. 3 is a left side elevational view thereof; FIG. 4 is a top plan view thereof; FIG. 5 is a bottom plan view thereof; FIG. 6 is a rear elevational view thereof; and, FIG. 7 is a front elevational view thereof.



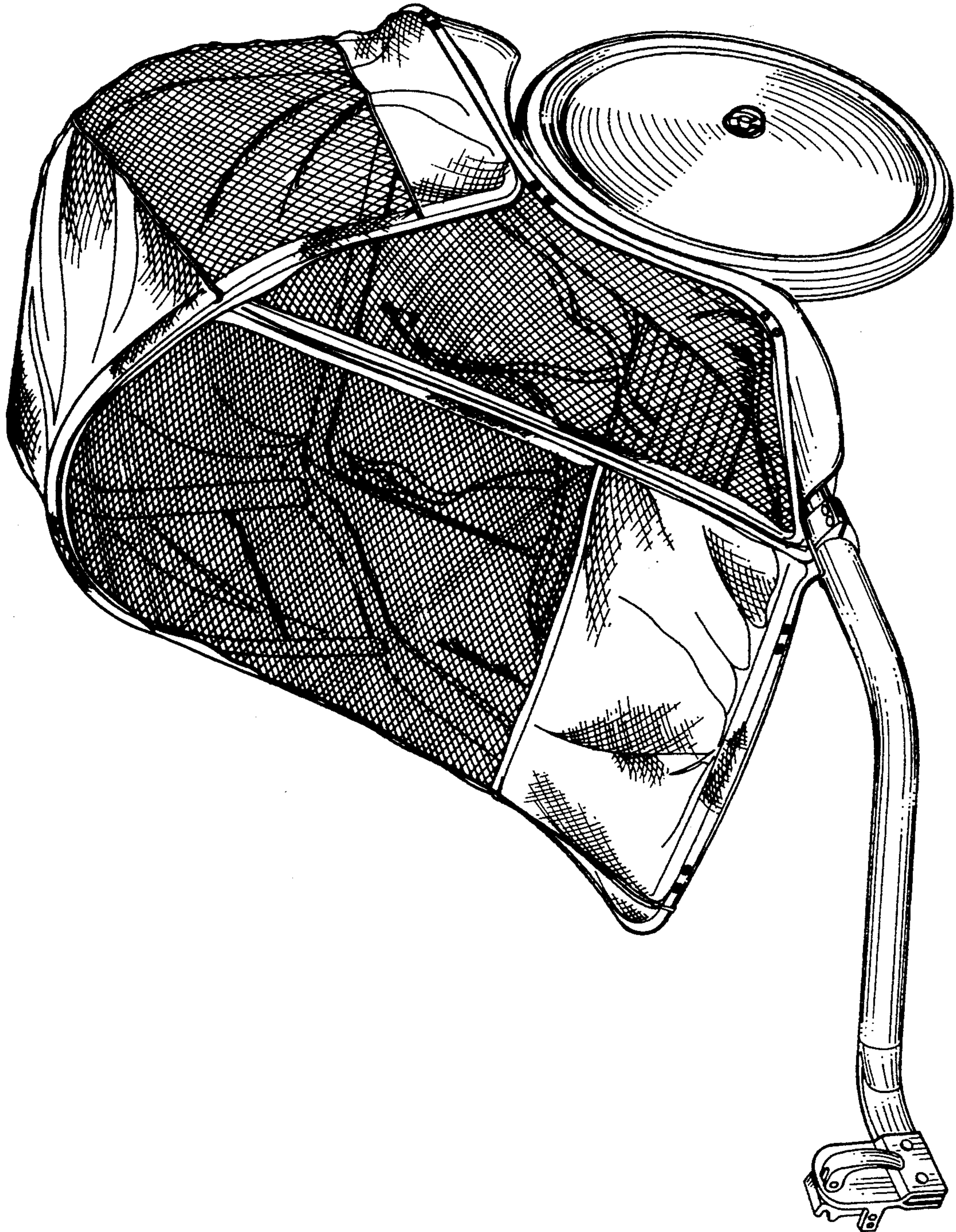


FIG. 1

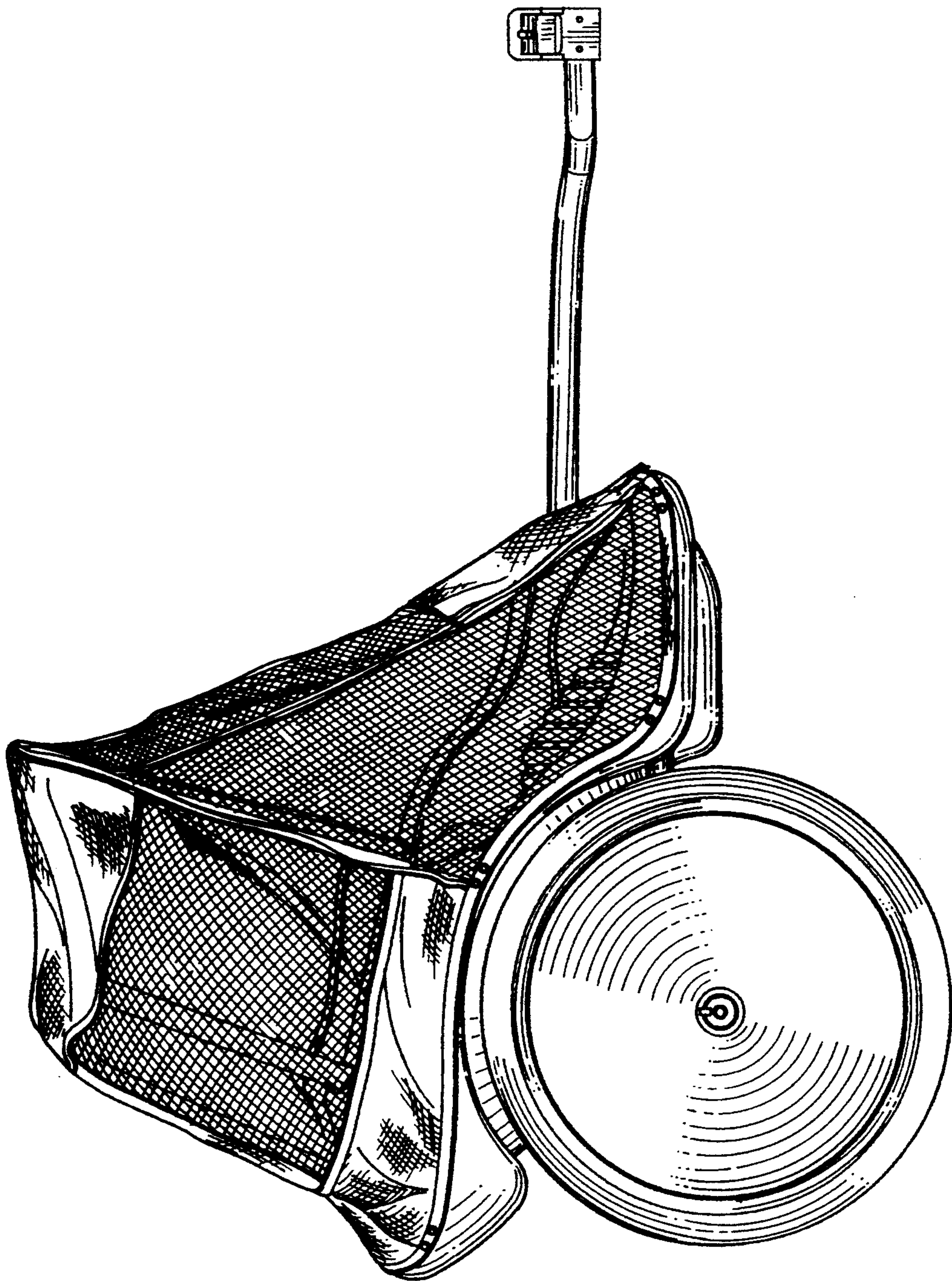


FIG. 2

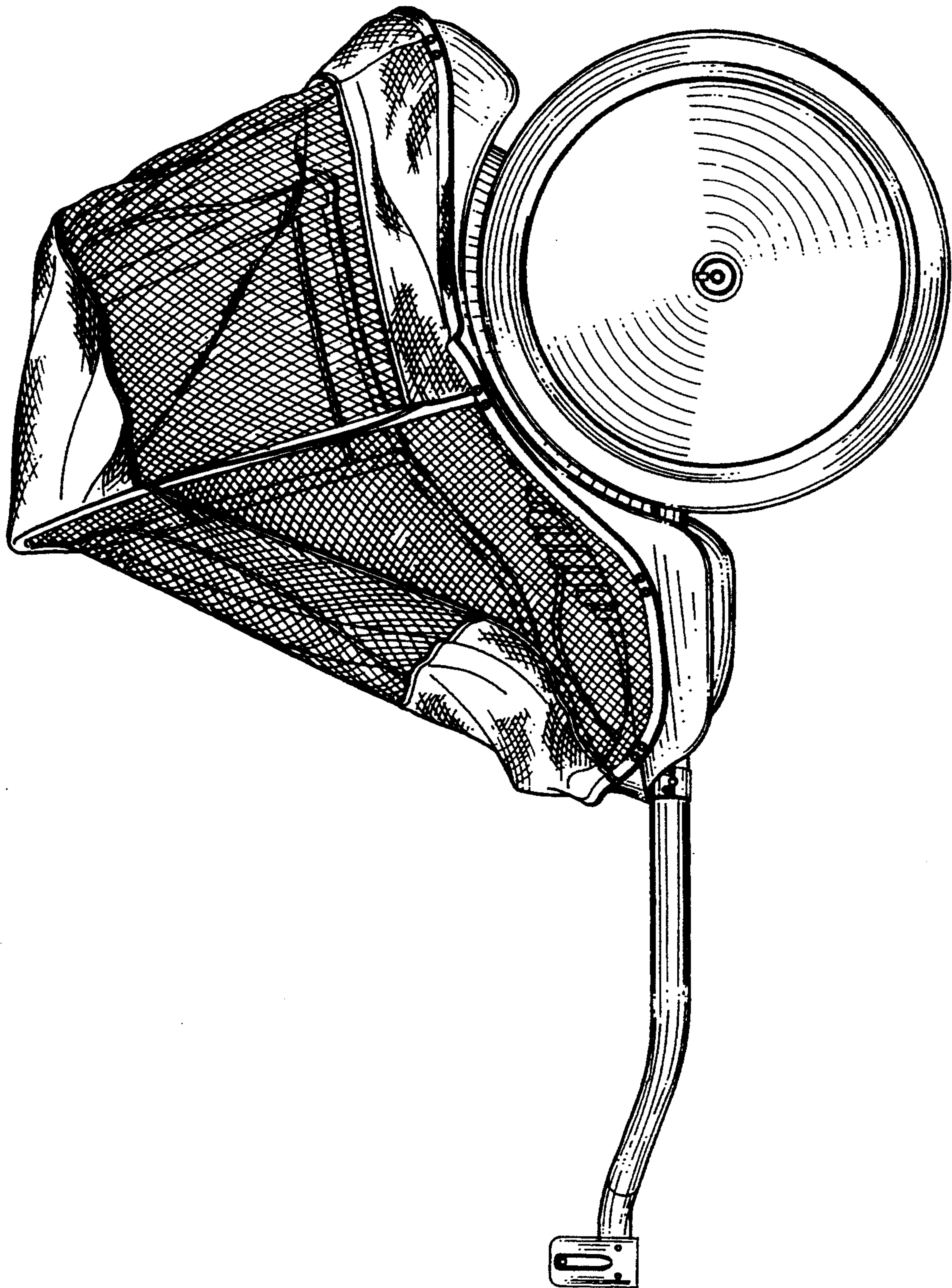


FIG. 3

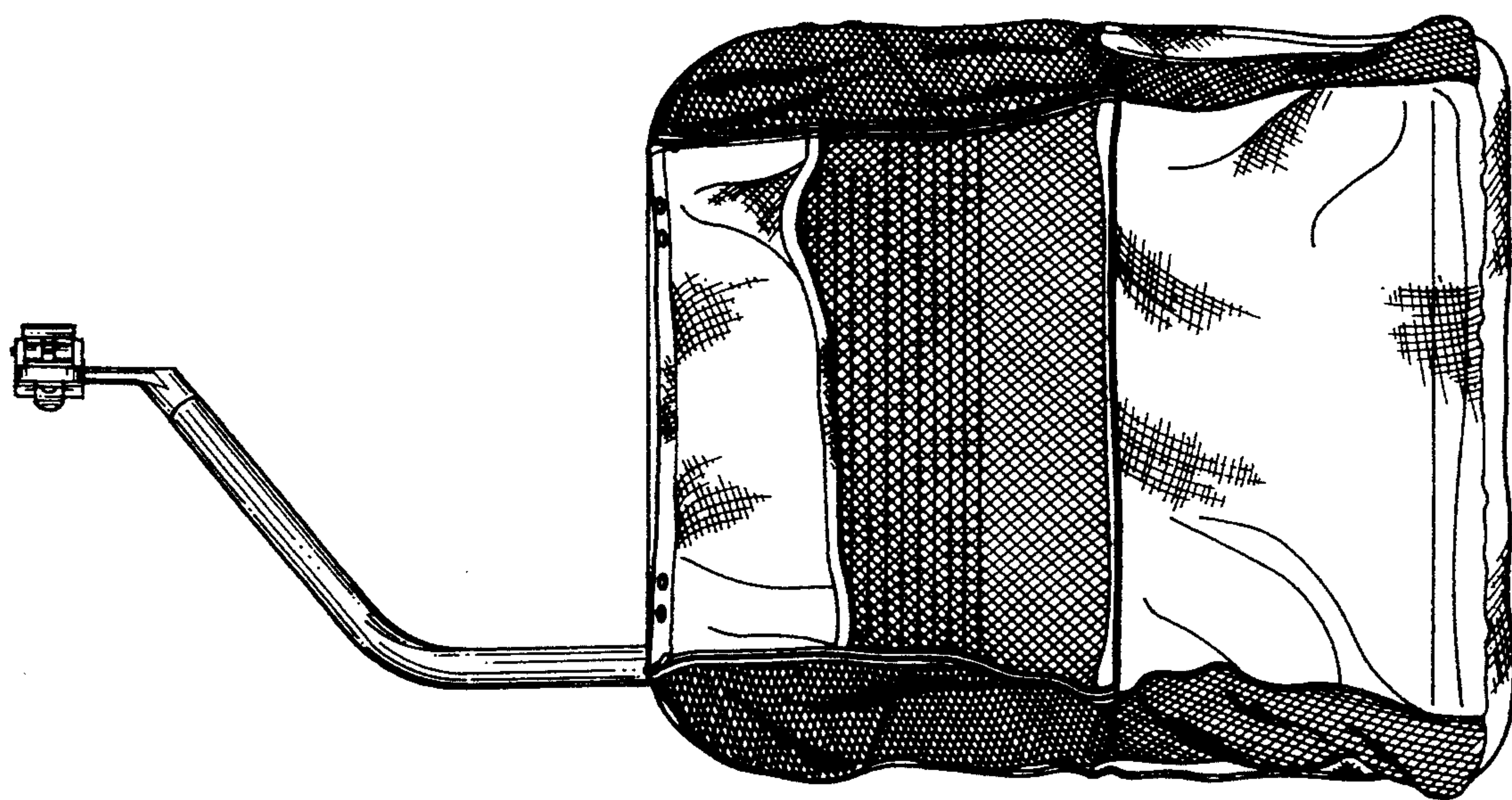


FIG. 4

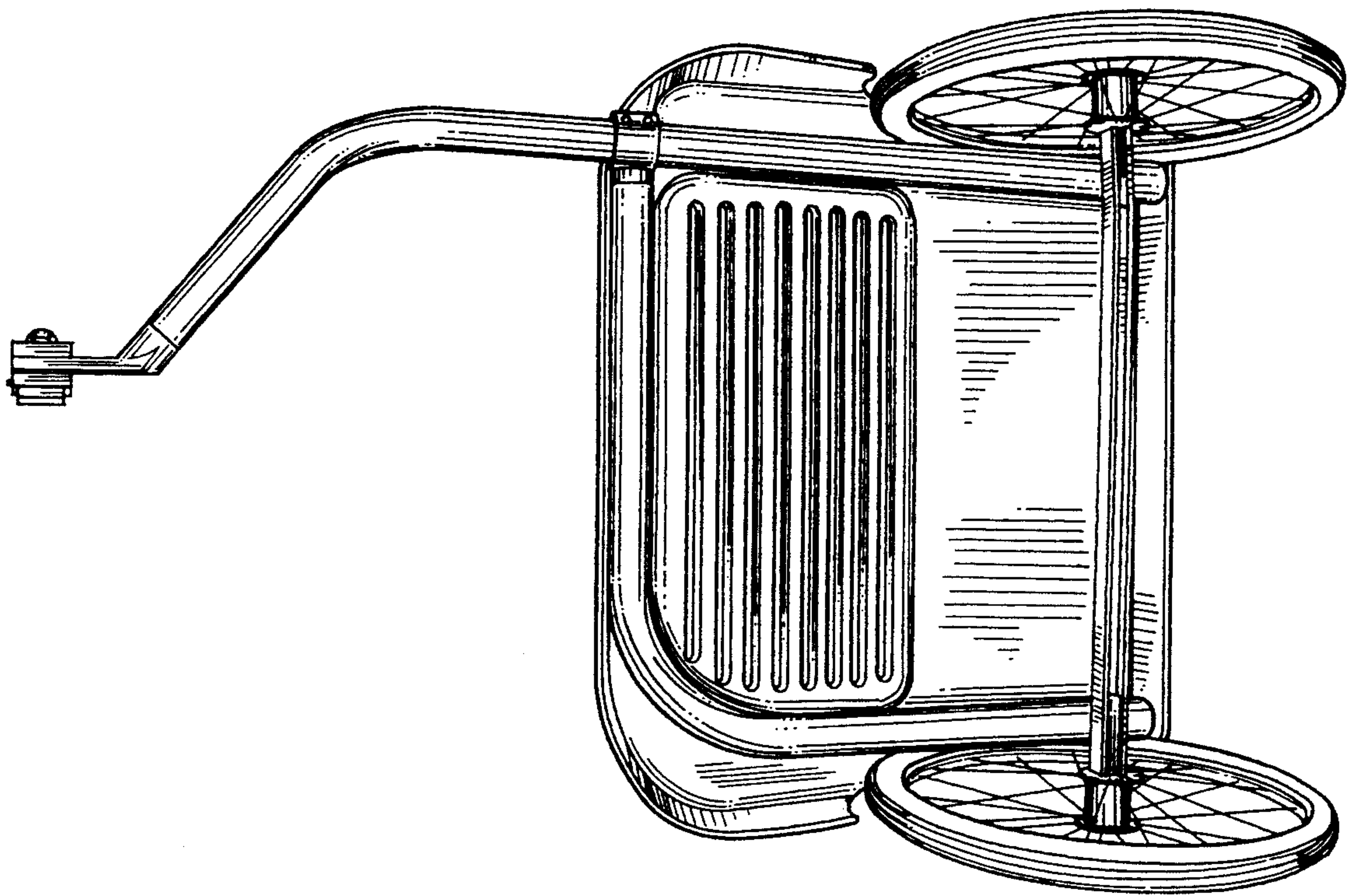


FIG. 5

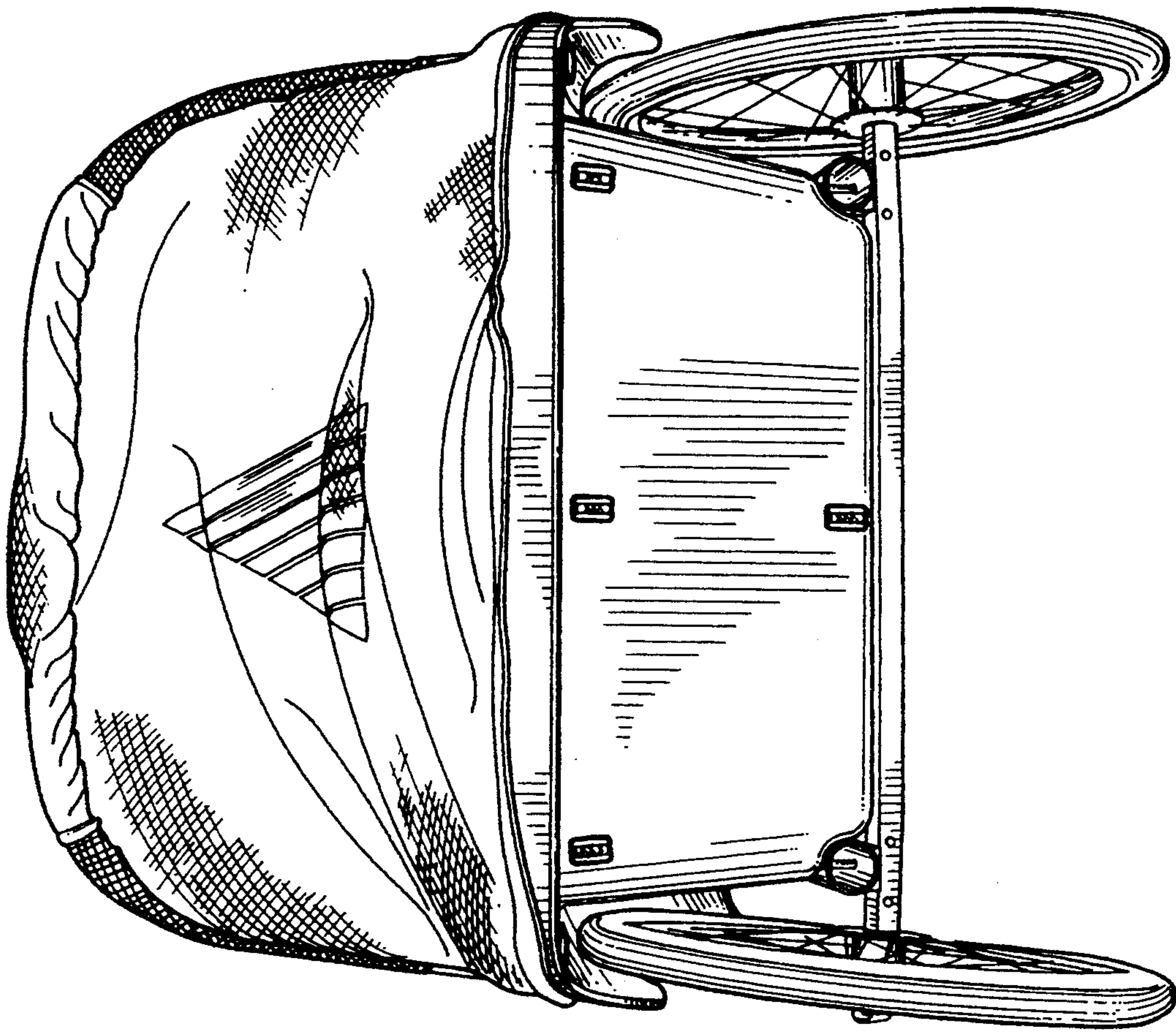


FIG. 6

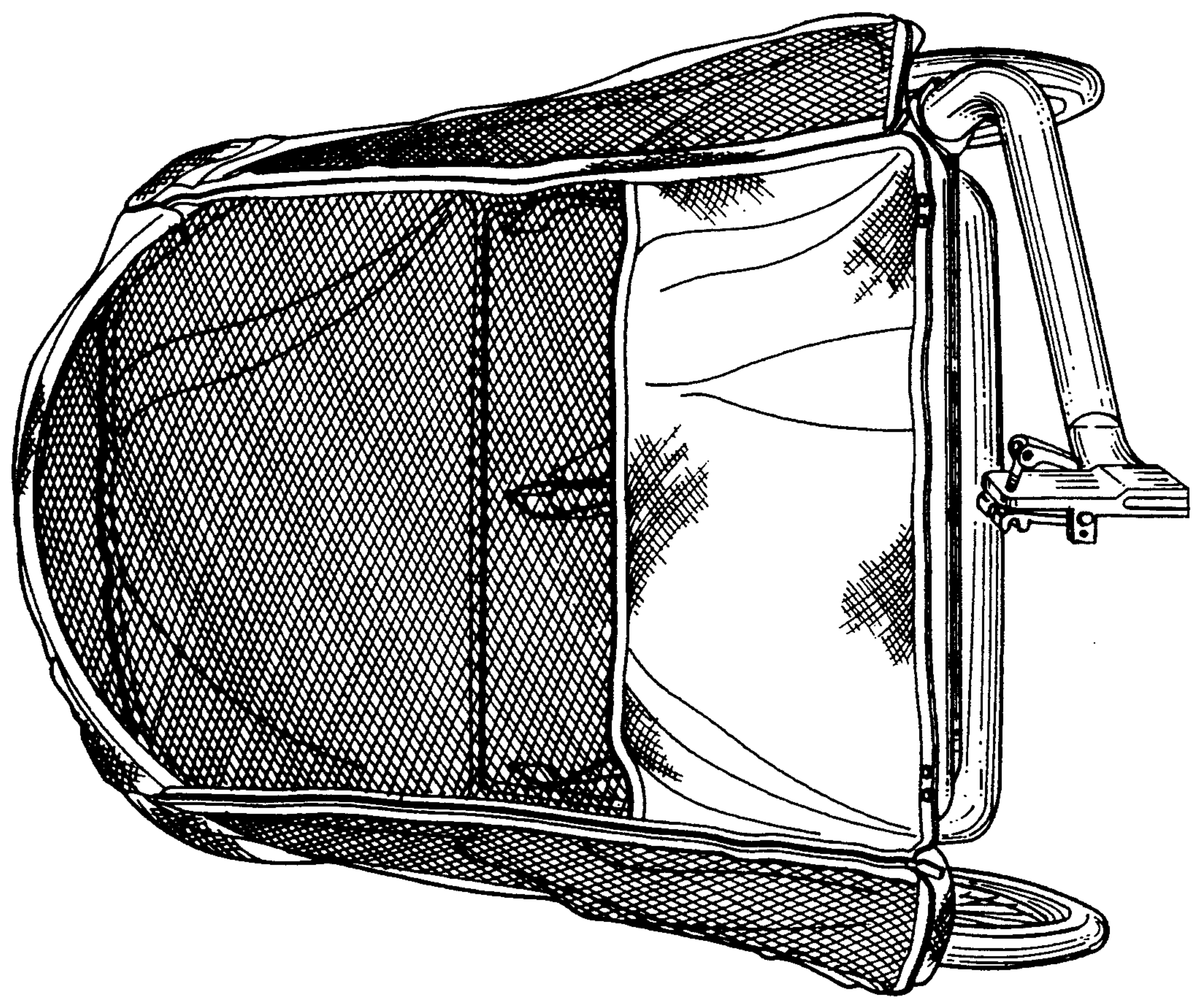


FIG. 7