



US00D351574S

United States Patent [19]

[11] Patent Number: **Des. 351,574**

Chang

[45] Date of Patent: **** Oct. 18, 1994**

[54] **HANDLEBAR STEM**

5,199,322 4/1993 Wu 74/551.1
5,241,881 9/1993 Chen 74/551.2

[75] Inventor: **Robert Chang**, Taichung Hsien, Taiwan

Primary Examiner—Wallace R. Burke

Assistant Examiner—M. Brown

[73] Assignee: **Kalloy Industrial Co., Ltd.**, Taichung Hsien, Taiwan

Attorney, Agent, or Firm—Ross, Howison, Clapp & Korn

[**] Term: **14 Years**

[57] **CLAIM**

[21] Appl. No.: **12,665**

The ornamental design for a handlebar stem, as shown.

[22] Filed: **Sep. 3, 1993**

DESCRIPTION

[52] U.S. Cl. **D12/118**

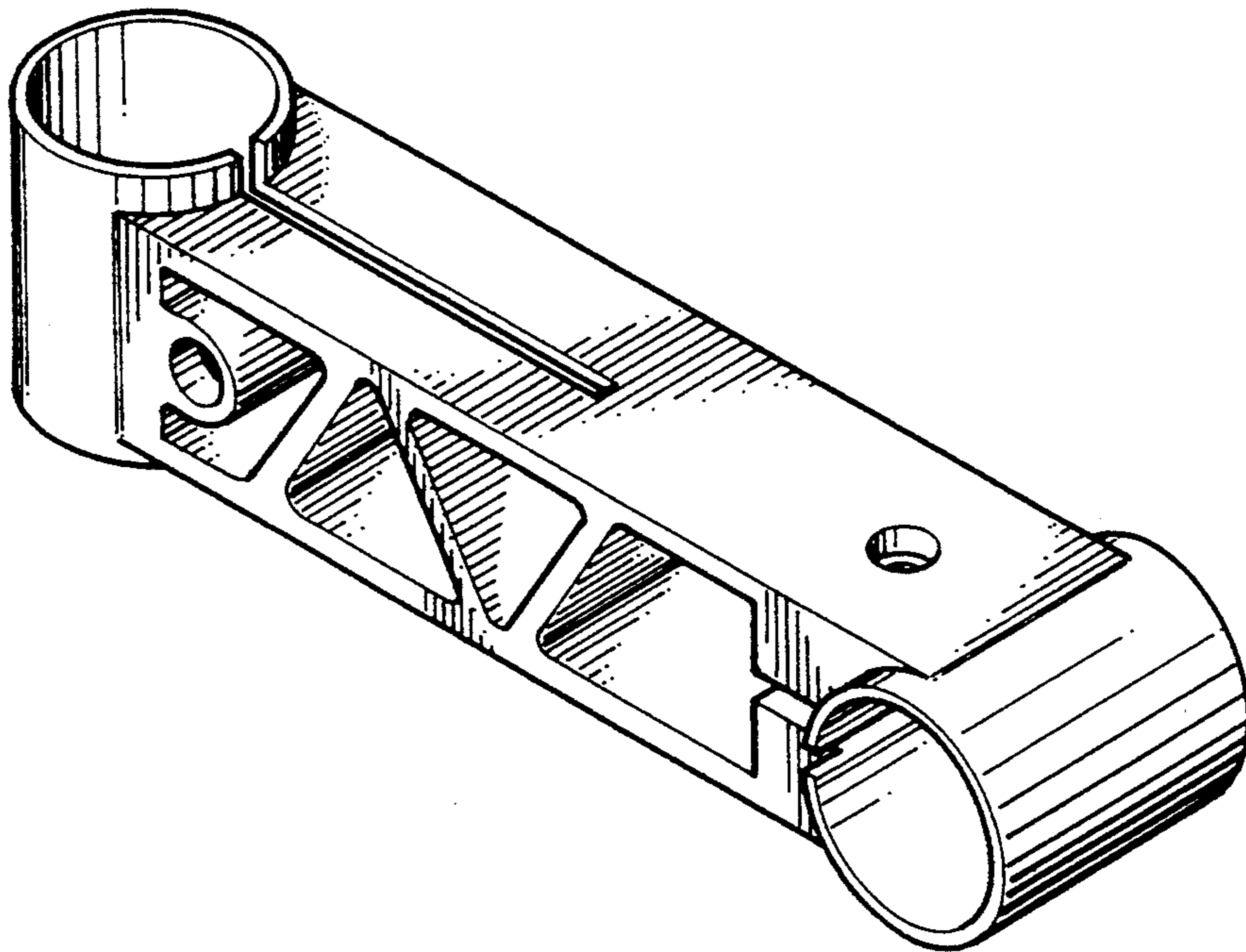
[58] Field of Search 74/551.1, 551.2, 551.8, 74/551.9; D12/118

FIG. 1 is front-right-top perspective view of a handlebar stem, showing my new design; FIG. 2 is a front elevational view thereof; FIG. 3 is a rear elevational view thereof; FIG. 4 is a left elevational view thereof; FIG. 5 is a right elevational view thereof; FIG. 6 is a top plan view thereof; and, FIG. 7 is a bottom plan view thereof.

[56] References Cited

U.S. PATENT DOCUMENTS

D. 313,206 12/1990 Ringle D12/118
4,939,950 7/1990 Gervin 74/551.1



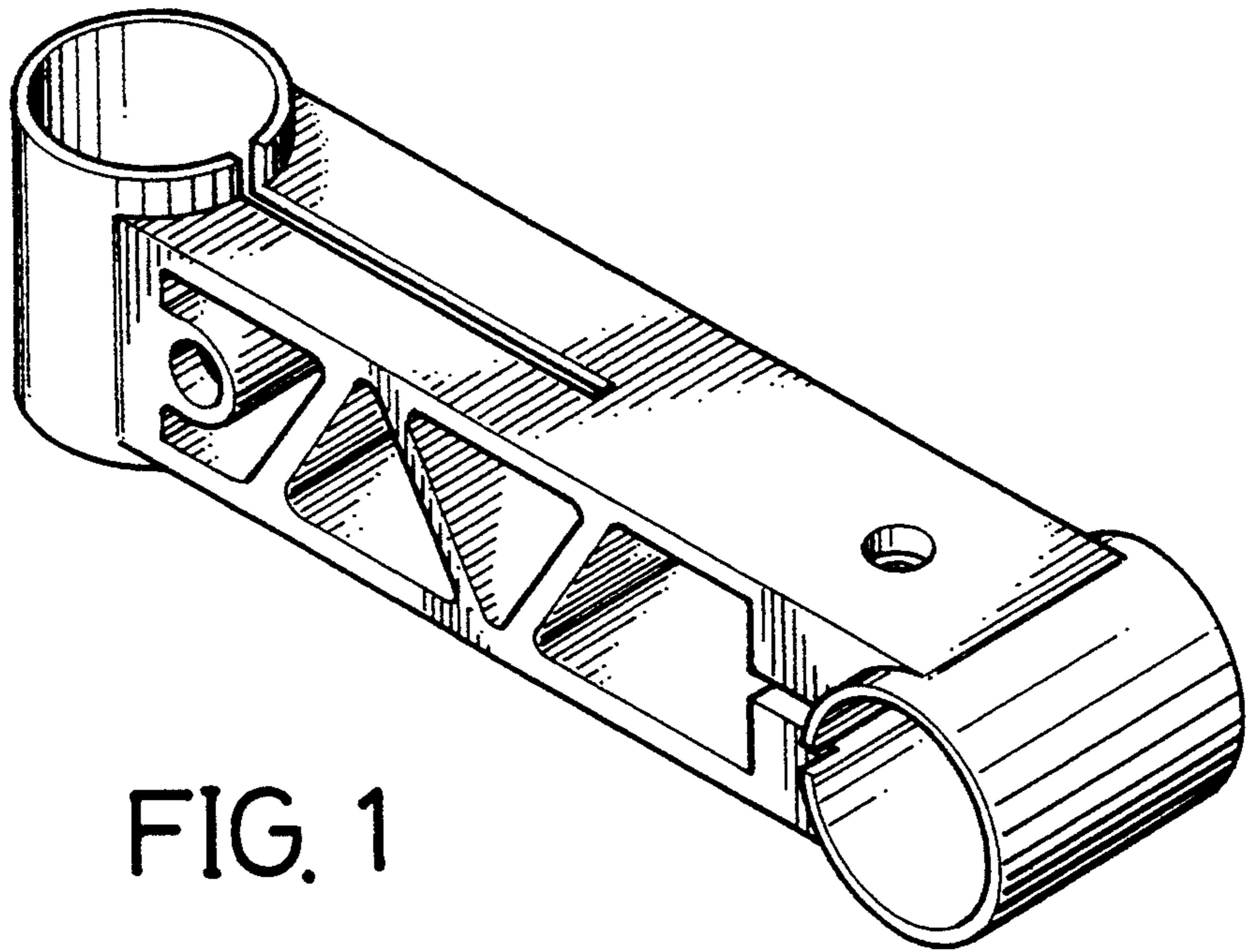


FIG. 1

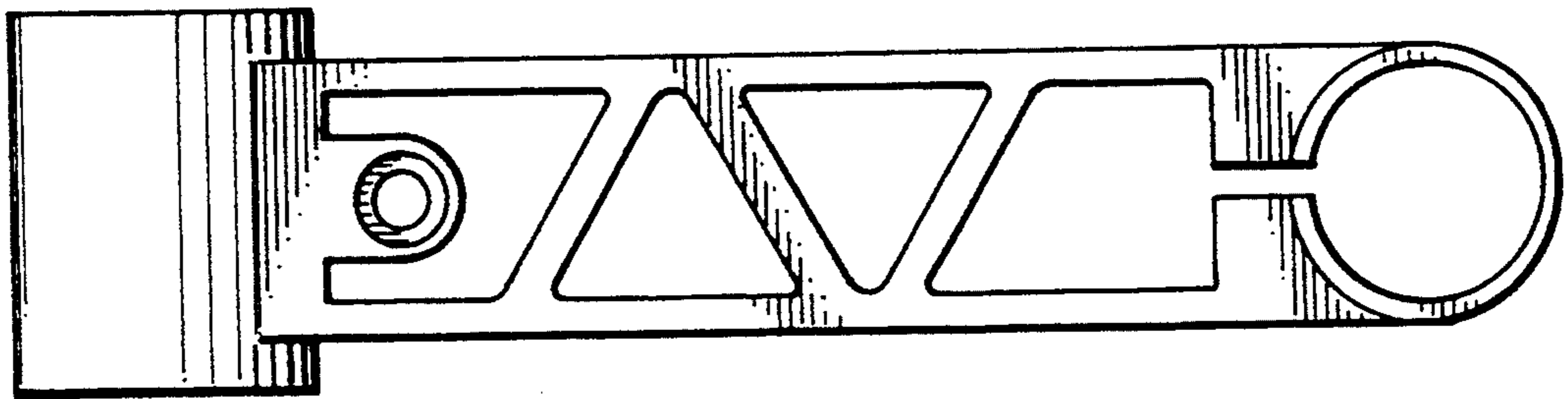


FIG. 2

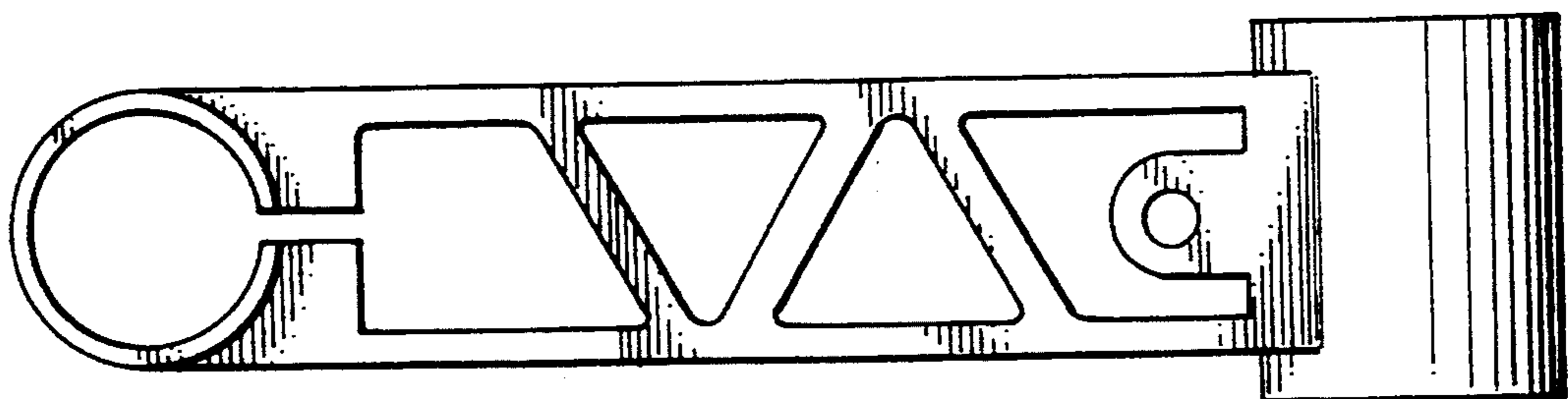


FIG. 3

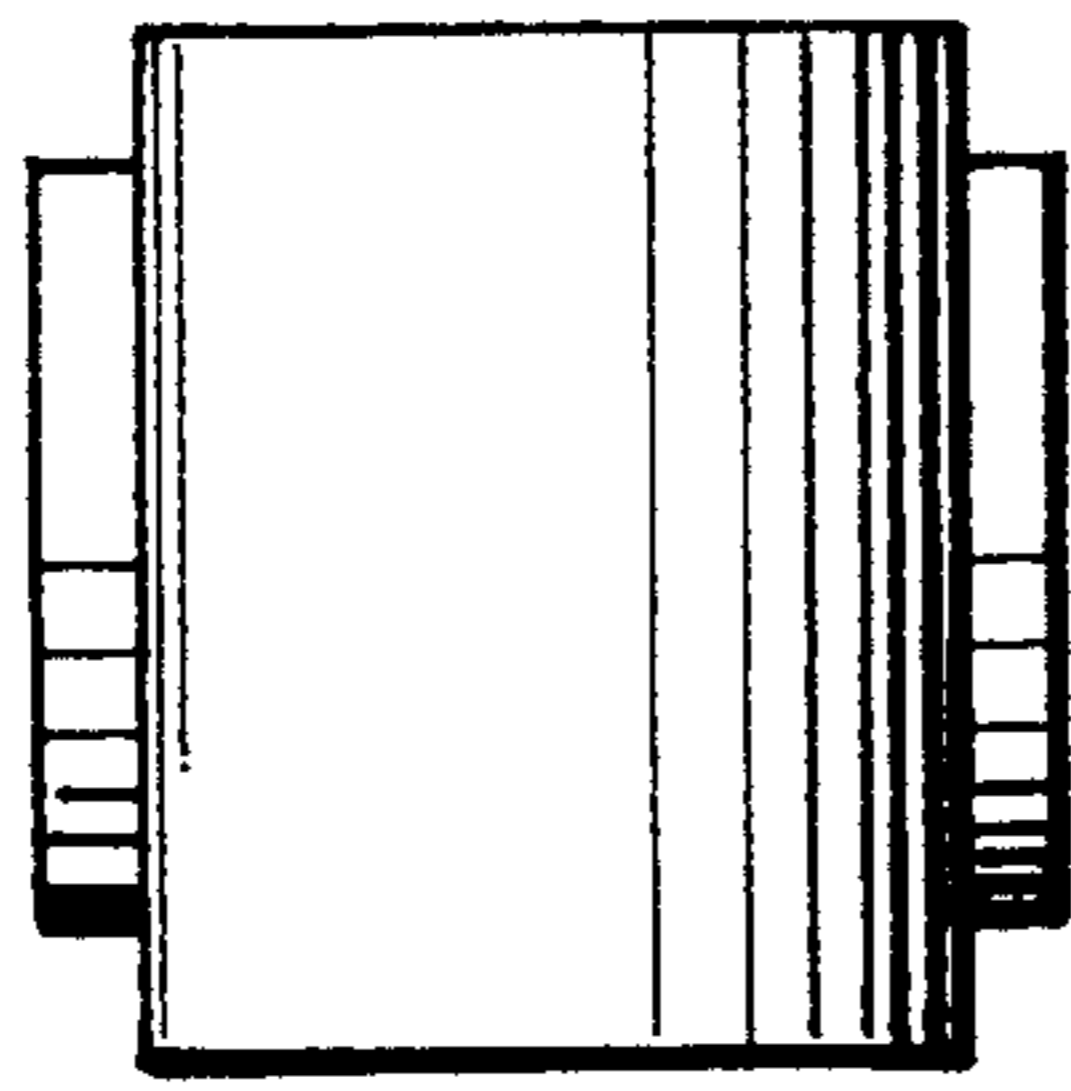


FIG. 4

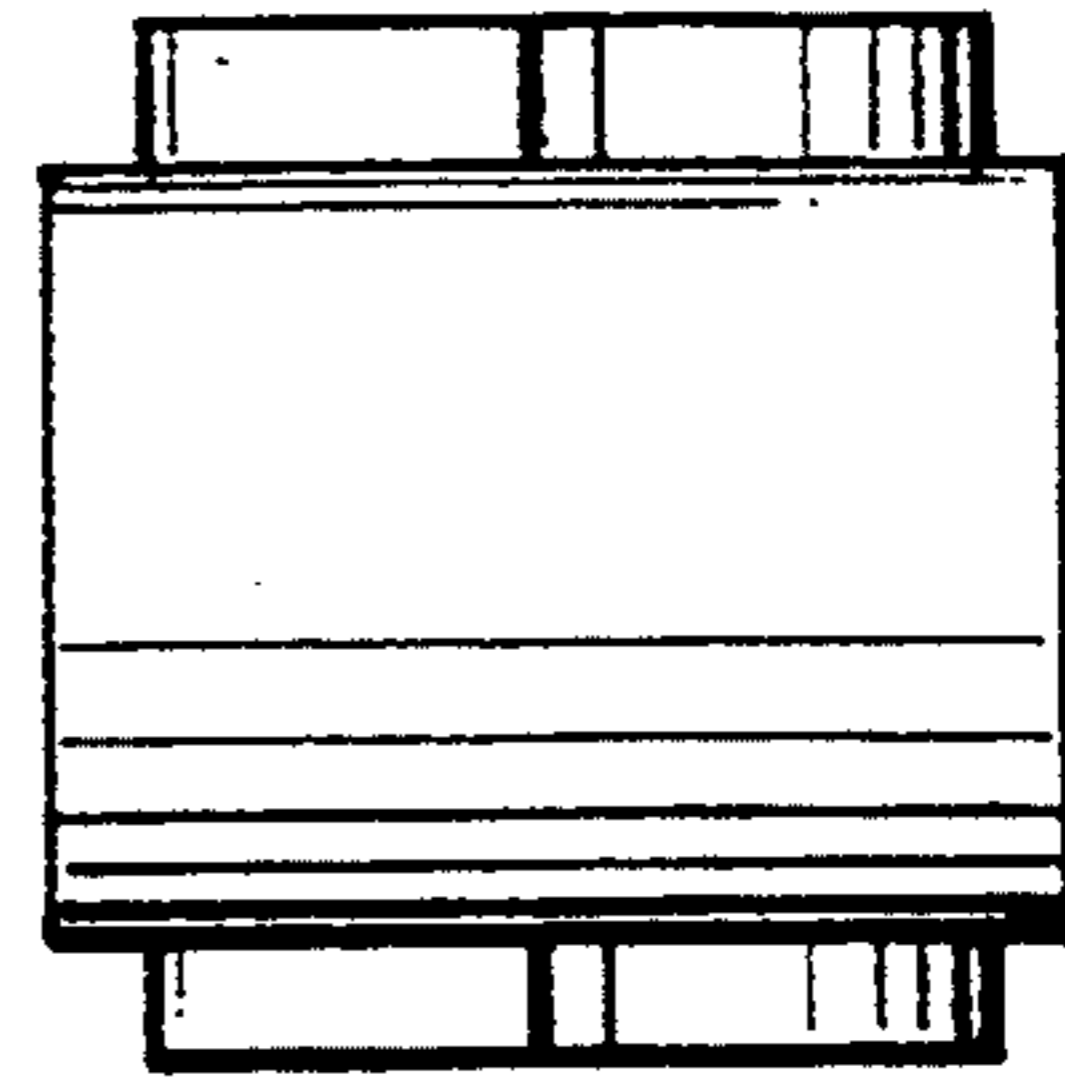


FIG. 5

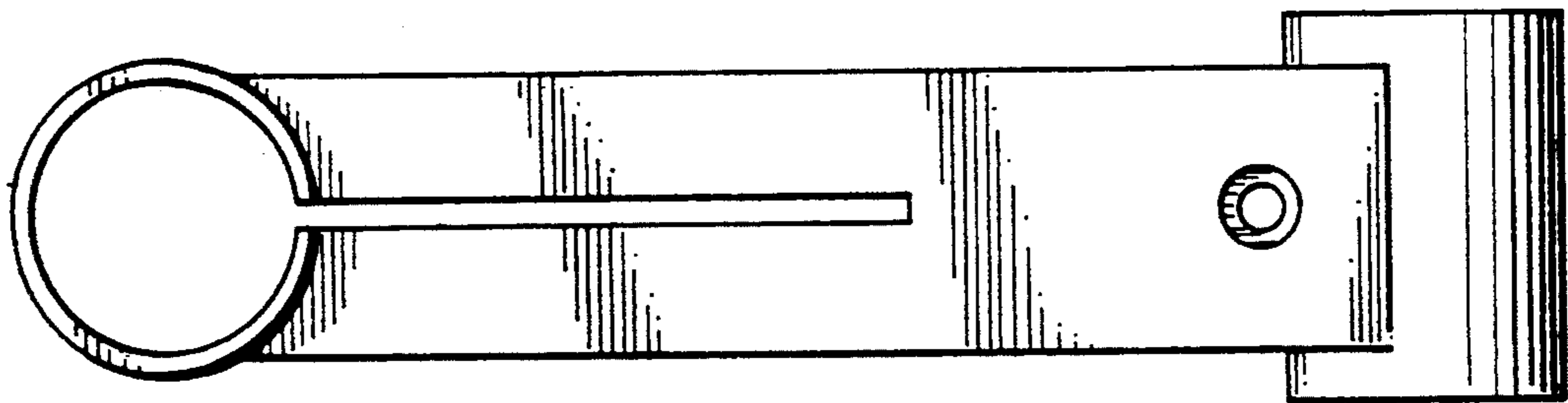


FIG. 6

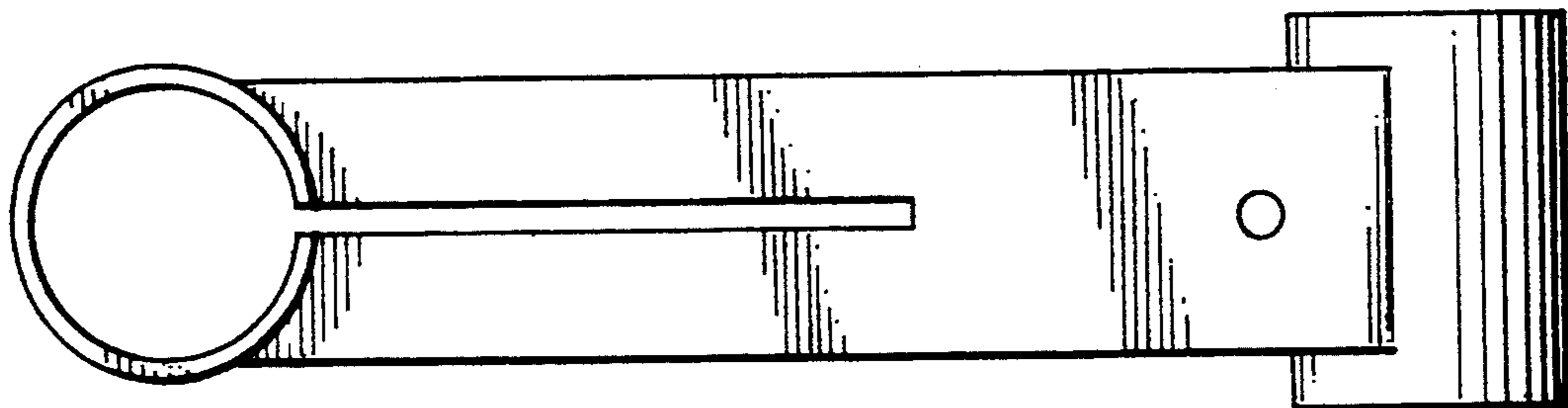


FIG. 7