



US00D351572S

# United States Patent [19]

[11] Patent Number: **Des. 351,572**

Lenington, Jr.

[45] Date of Patent: **\*\* Oct. 18, 1994**

## [54] AWARD

[76] Inventor: **John D. Lenington, Jr.**, 3618 N. Country Club Rd. #255, Irving, Tex. 75062

[\*\*] Term: **14 Years**

[21] Appl. No.: **4,762**

[22] Filed: **Feb. 12, 1993**

[52] U.S. Cl. .... **D11/157; D11/131**

[58] Field of Search ..... **428/7, 11, 542.2, 542.4; D11/121, 131, 133, 157; D19/96, 97**

## [56] References Cited

### U.S. PATENT DOCUMENTS

D. 132,132	4/1942	Olsen	.....	D11/133
D. 173,514	11/1954	Schwarz	.....	D11/133
D. 278,419	4/1985	Hill	.....	D11/121

## OTHER PUBLICATIONS

Norton Trophies; "Noble Trophies" Catalog; 1963; p. 13; #942M—Activity Medallion (lower left).

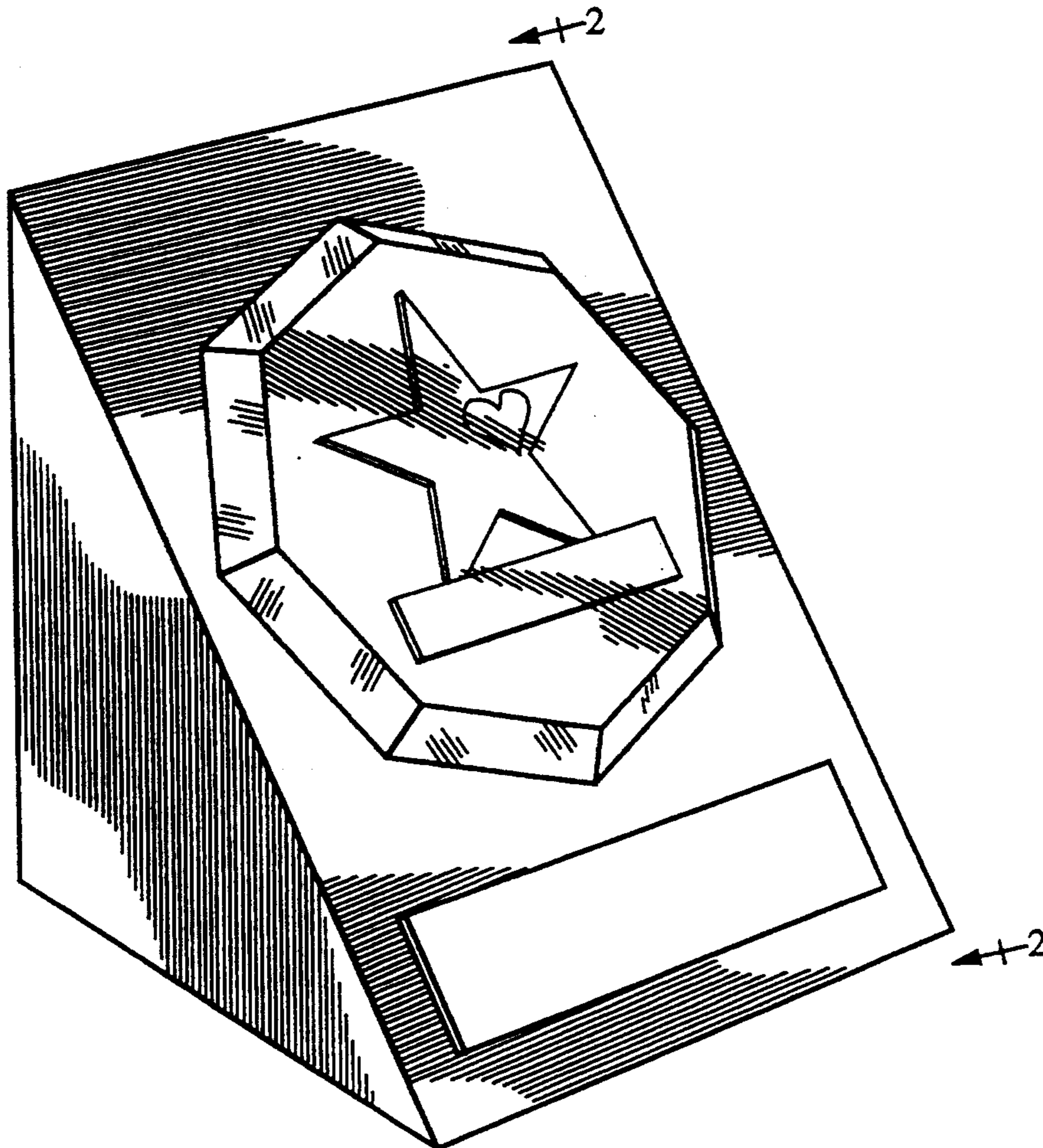
*Primary Examiner*—Bernard Ansher  
*Assistant Examiner*—Dominic Simone  
*Attorney, Agent, or Firm*—Jasper C. Rowe

## [57] CLAIM

The ornamental design for an award, as shown.

## DESCRIPTION

FIG. 1 is a front perspective view of an award showing my new design;  
FIG. 2 is a front elevational view thereof, viewed in the direction 2 shown in FIG. 1;  
FIG. 3 is a front elevational view thereof;  
FIG. 4 is a rear elevational view thereof;  
FIG. 5 is a right side elevational view thereof;  
FIG. 6 is a left side elevational view thereof;  
FIG. 7 is a top plan view thereof; and,  
FIG. 8 is a bottom plan view thereof.



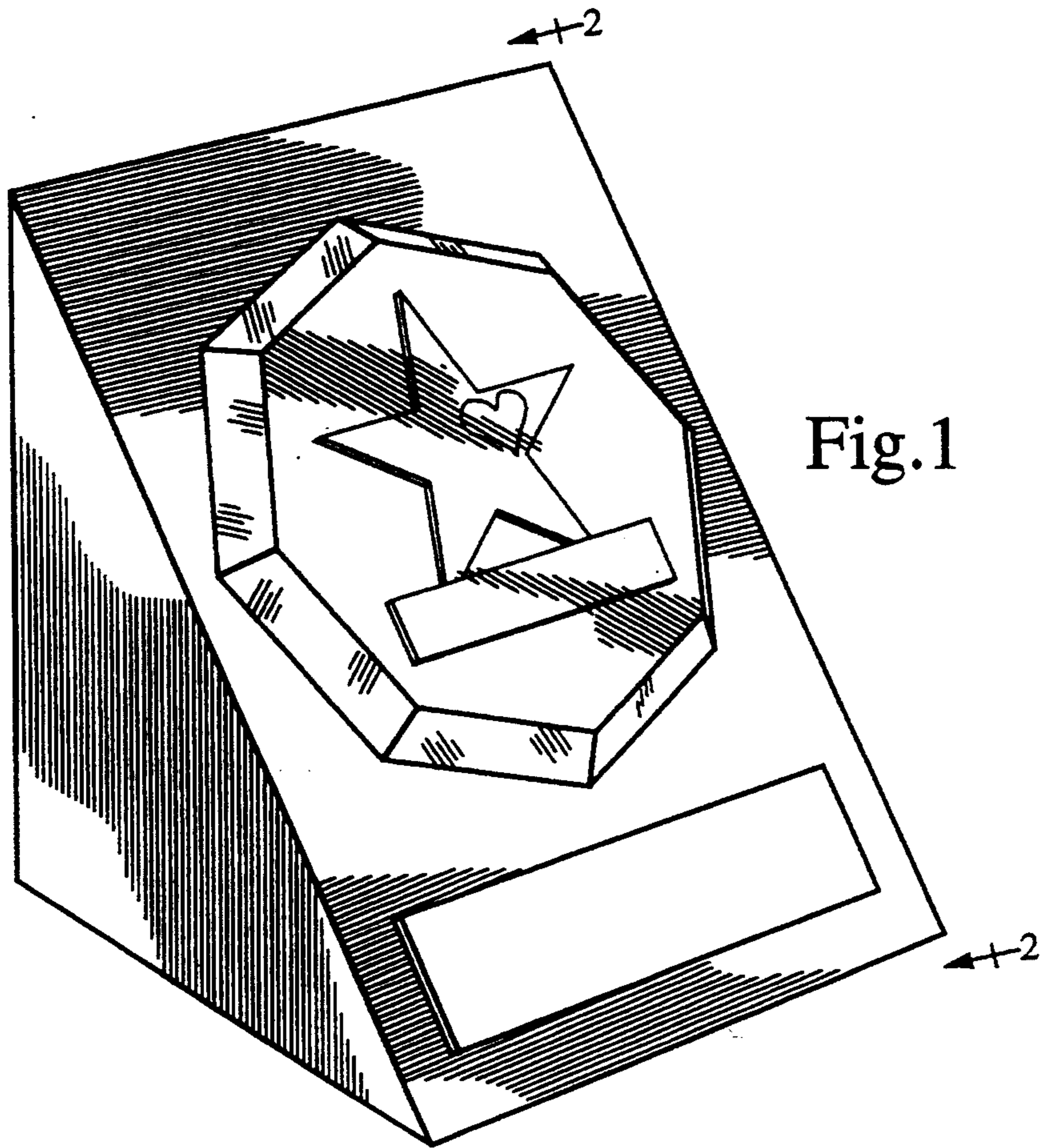
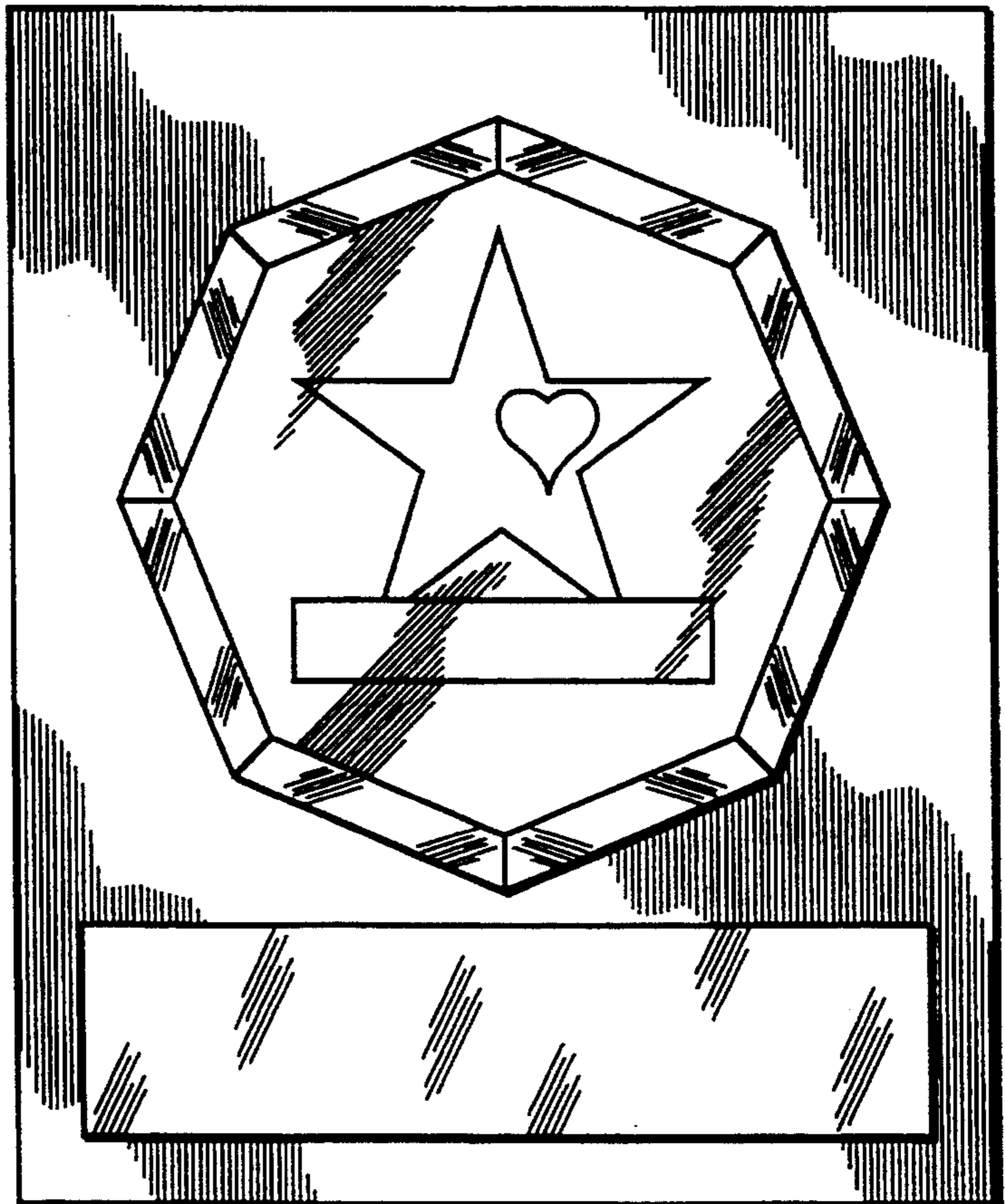


Fig. 2





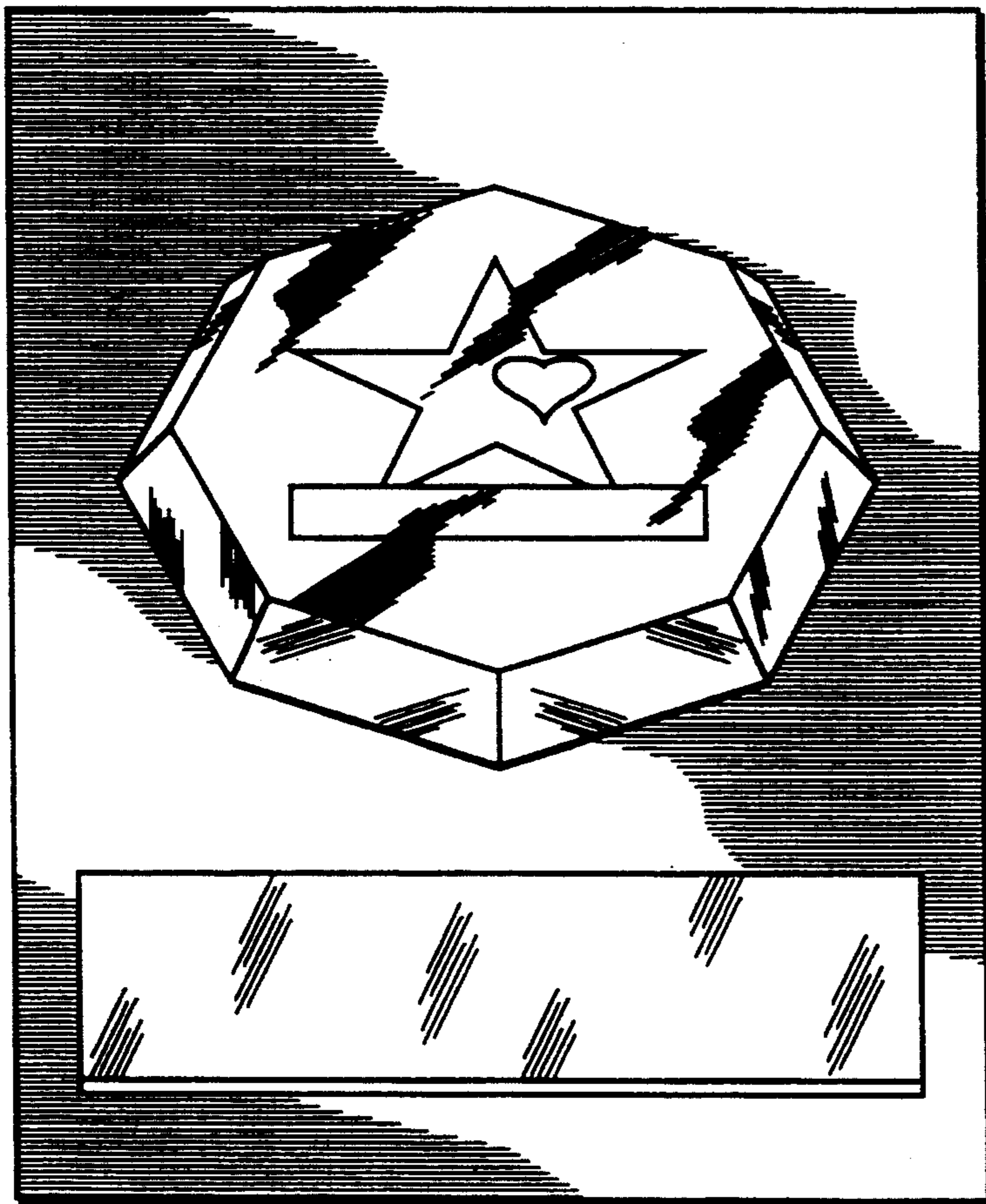
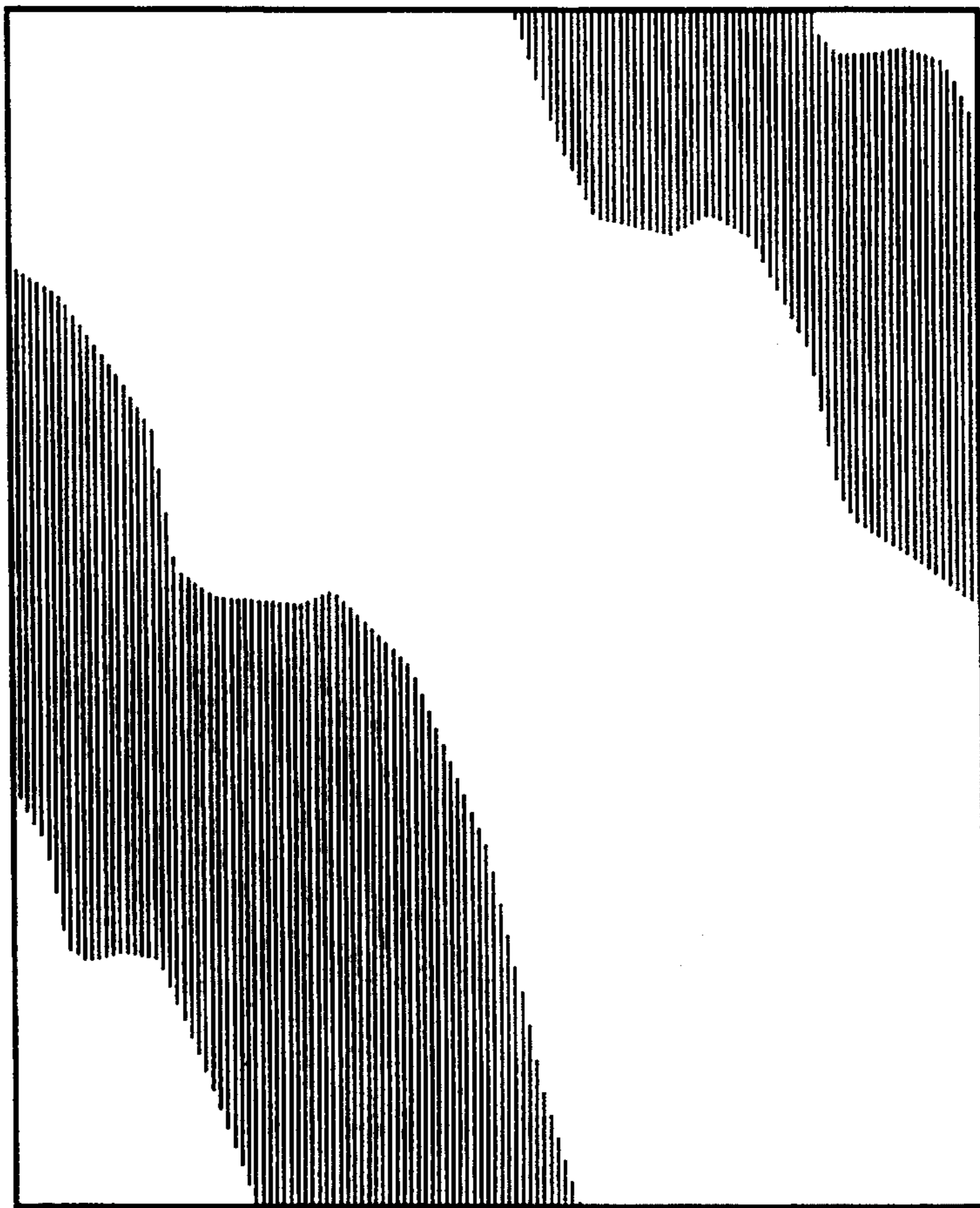


Fig.3

Fig.4



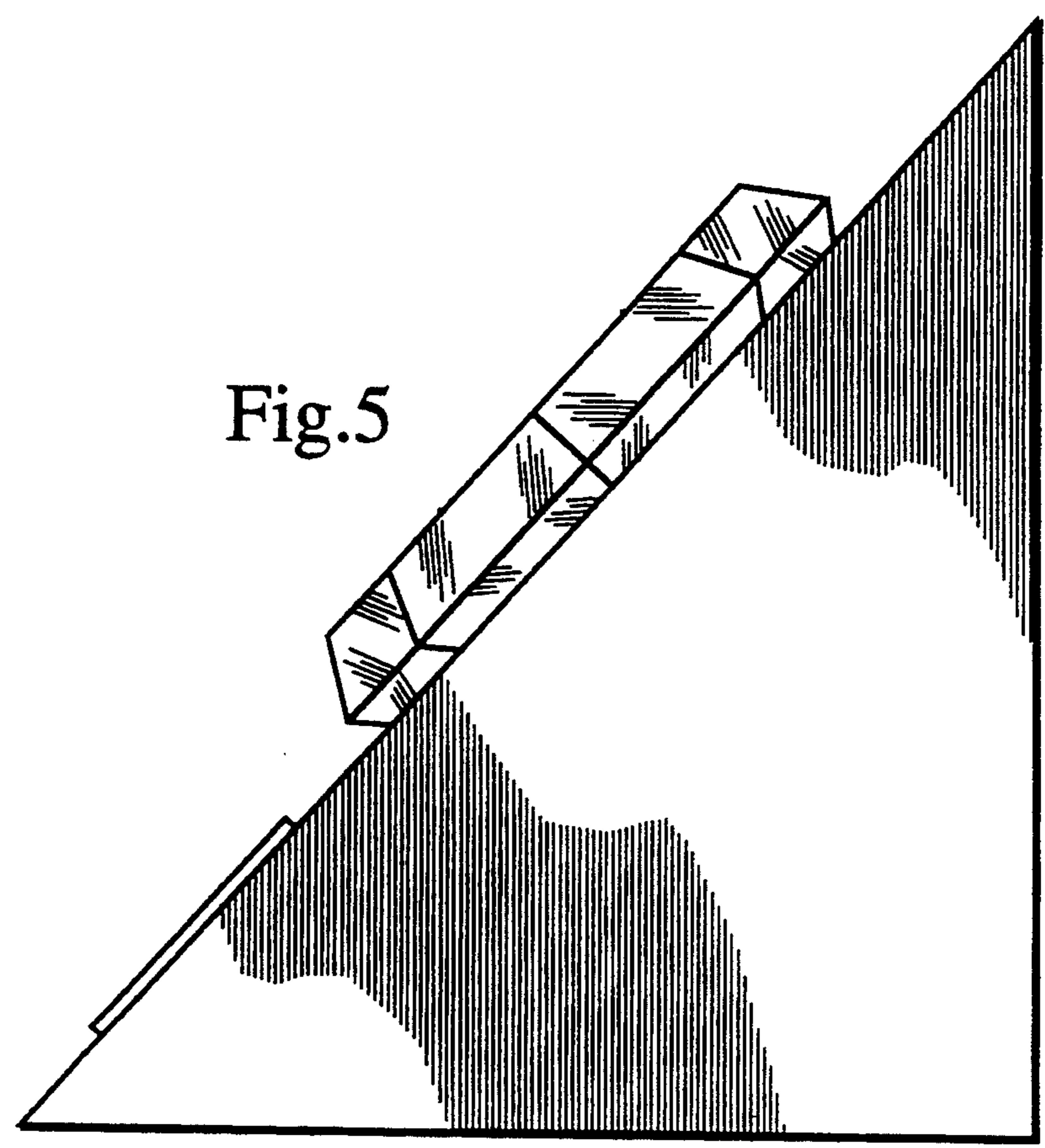


Fig. 5

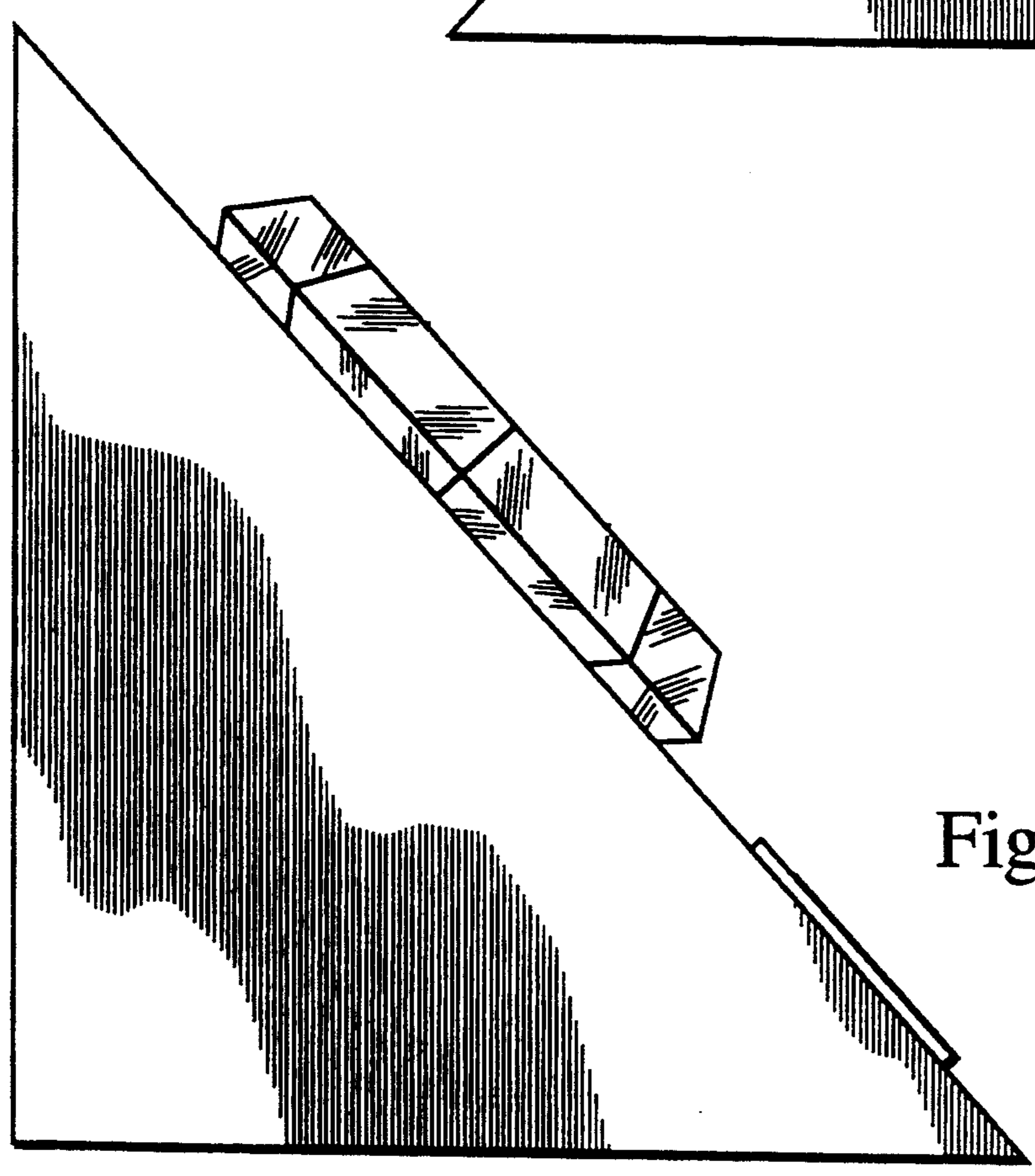


Fig. 6

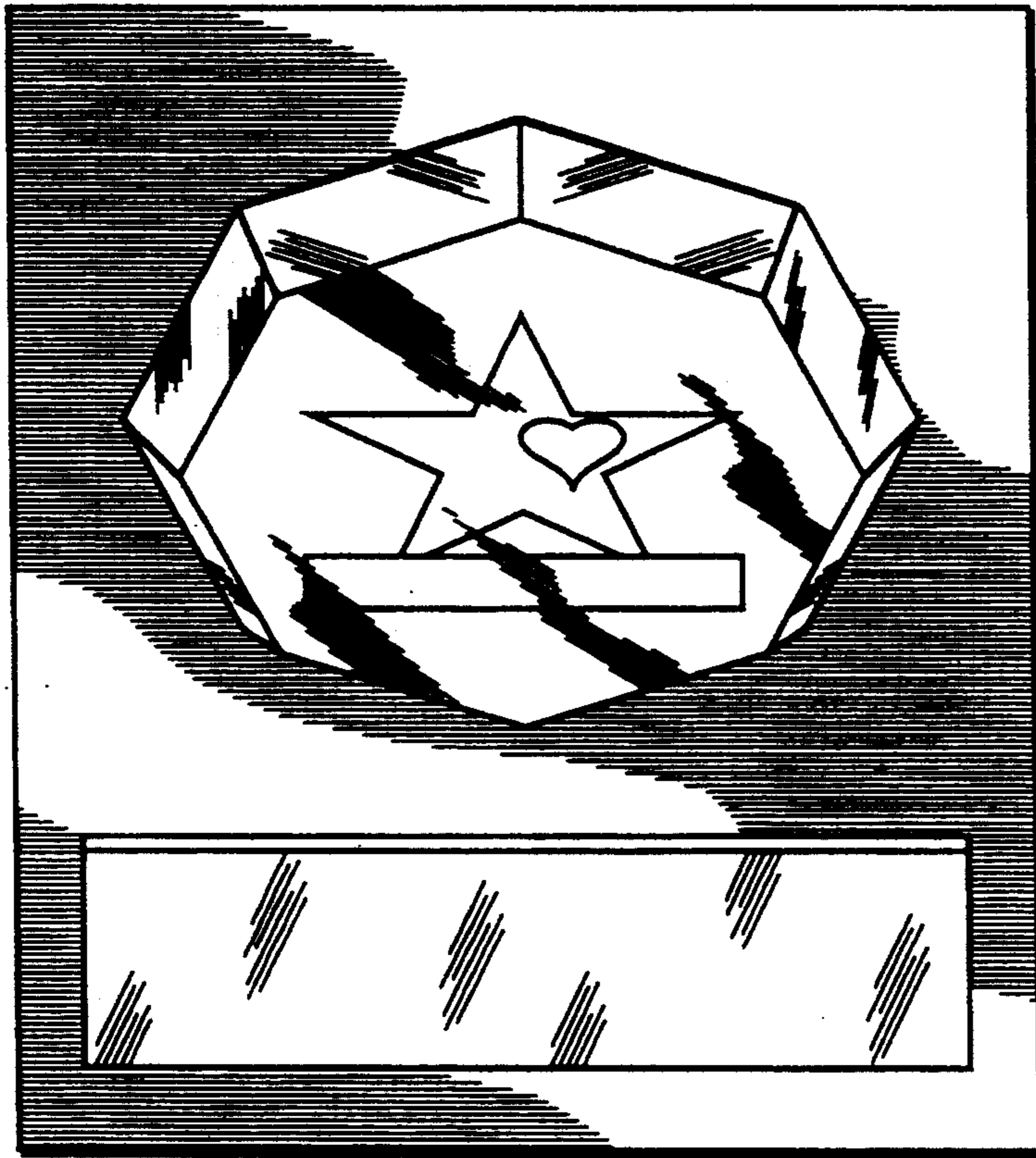


Fig.7

Fig.8

