



US00D351570S

United States Patent [19]

[11] Patent Number: **Des. 351,570**

Fillipp

[45] Date of Patent: **** Oct. 18, 1994**

[54] **CHRISTMAS TREE STAND**

[75] Inventor: **Stephen L. Fillipp**, Lubbock, Tex.

[73] Assignee: **Gary Products Group, Inc.**, Lubbock, Tex.

[**] Term: **14 Years**

[21] Appl. No.: **11,678**

[22] Filed: **Aug. 10, 1993**

[52] U.S. Cl. **D11/130.1**

[58] Field of Search 47/40.5; 248/519, 527; D11/130.1

2,994,498	8/1961	Sager	248/44
3,302,909	2/1967	Glassman	248/44
4,571,881	2/1986	Lathim	47/40.5
4,884,363	12/1989	Sofy	47/40.5
5,014,461	5/1991	vom Braucke et al.	47/40.5

Primary Examiner—Bernard Ansher
Assistant Examiner—Dominic Simone
Attorney, Agent, or Firm—Ross, Howison, Clapp & Korn

[57] **CLAIM**

The ornamental design for a christmas tree stand, as shown and described.

DESCRIPTION

FIG. 1 is a top perspective view of the christmas tree stand showing my new design;
FIG. 2 is a top plan view showing my new design;
FIG. 3 is a front elevational view thereof;
FIG. 4 is a rear elevational view thereof; and,
FIG. 5 is a bottom plan view thereof.

[56] **References Cited**

U.S. PATENT DOCUMENTS

D. 187,542	3/1960	Cosentino	D11/130.1
D. 188,862	9/1960	Krastel	D11/130.1
2,044,192	6/1936	Templin, Jr.	248/44
2,493,633	1/1950	Mart	220/97

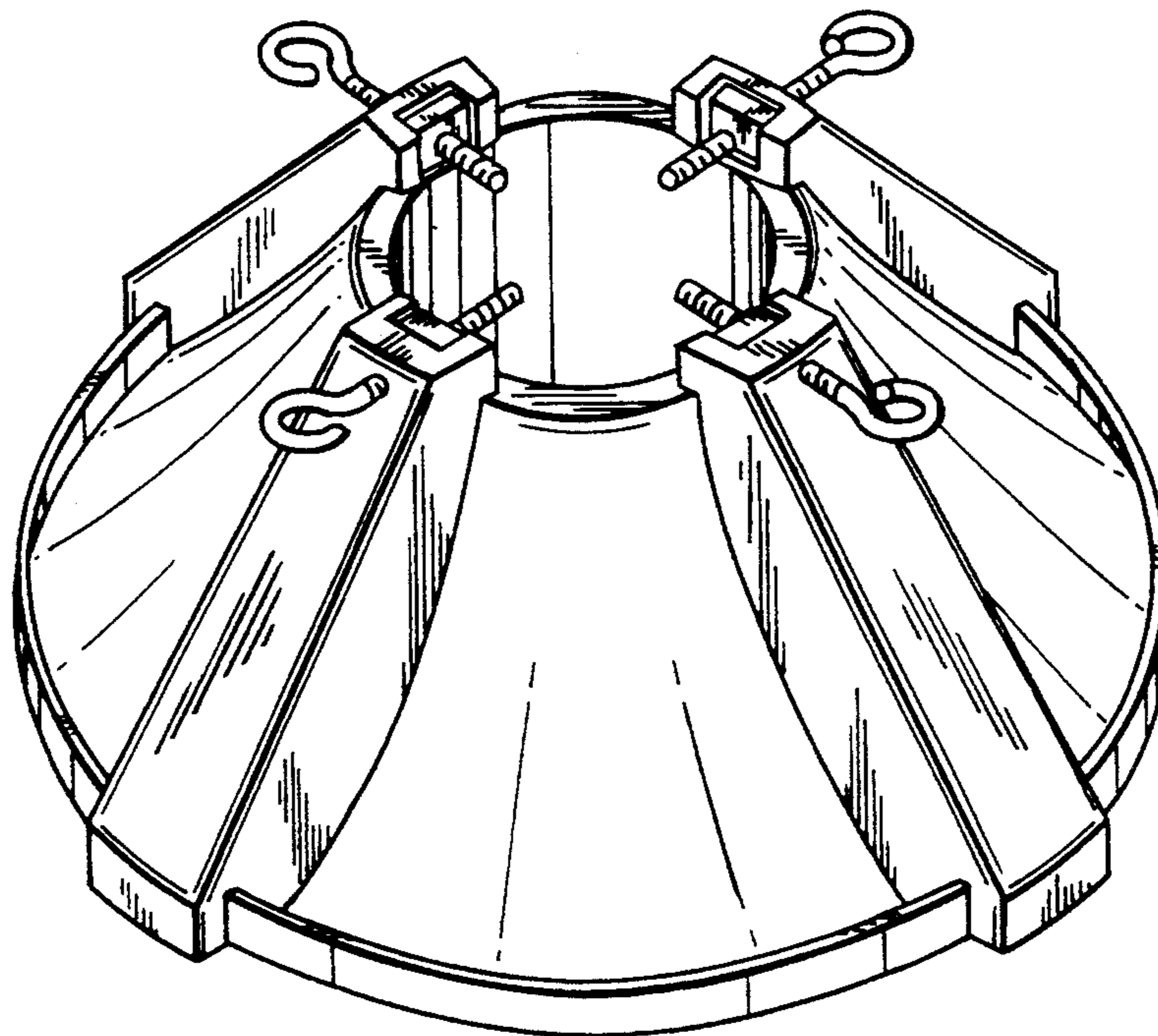


FIG.1

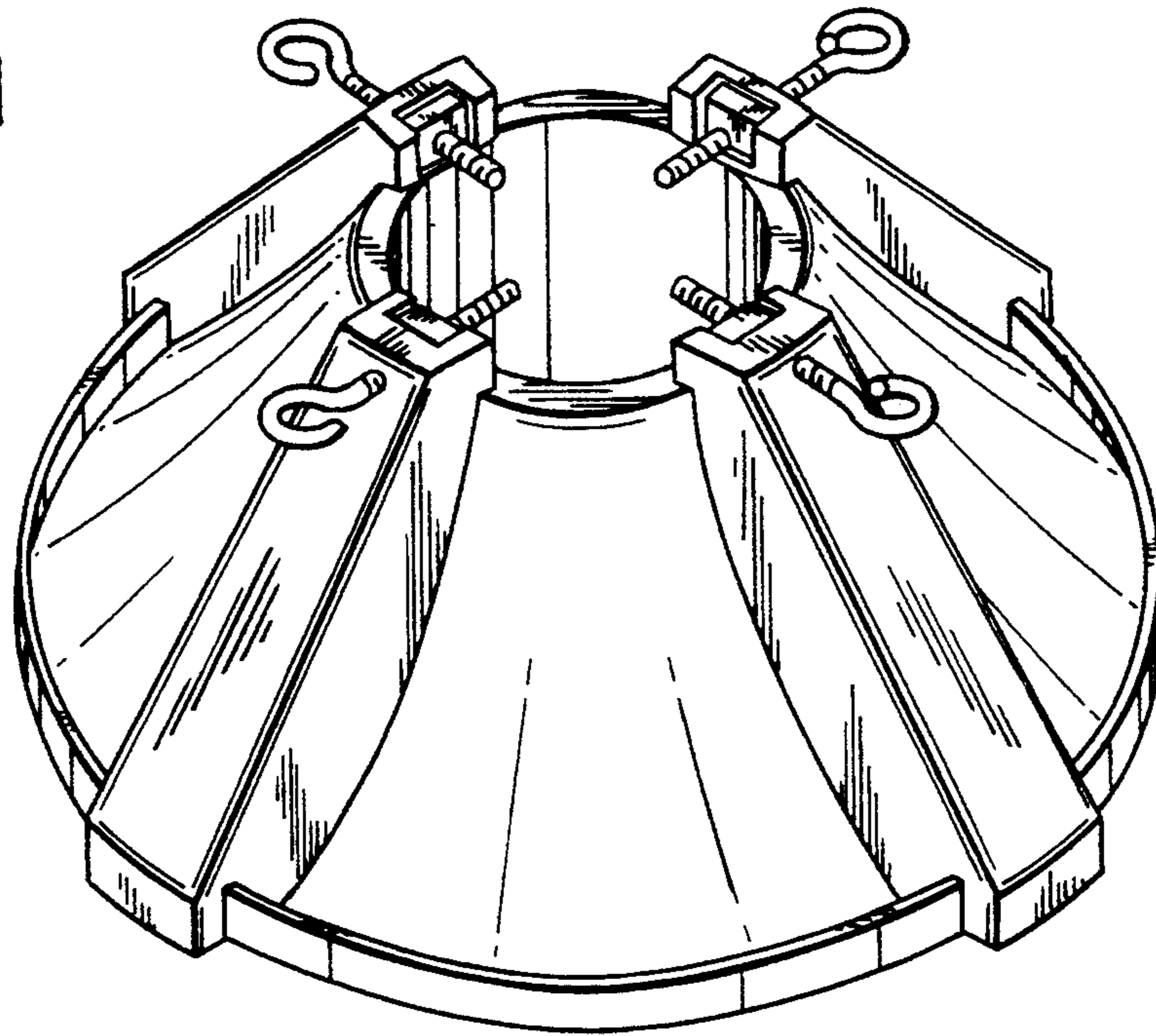


FIG. 2

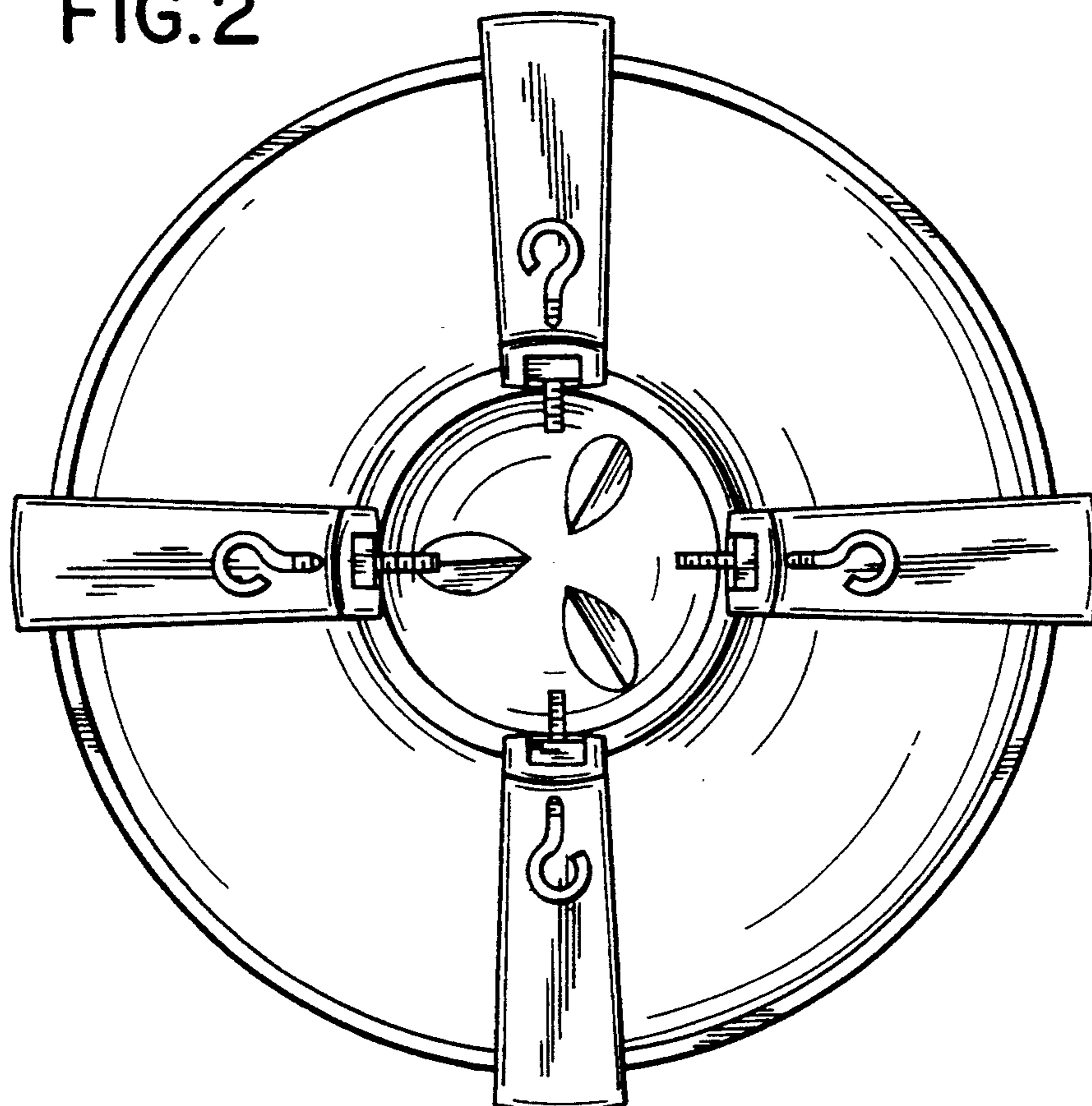


FIG. 3

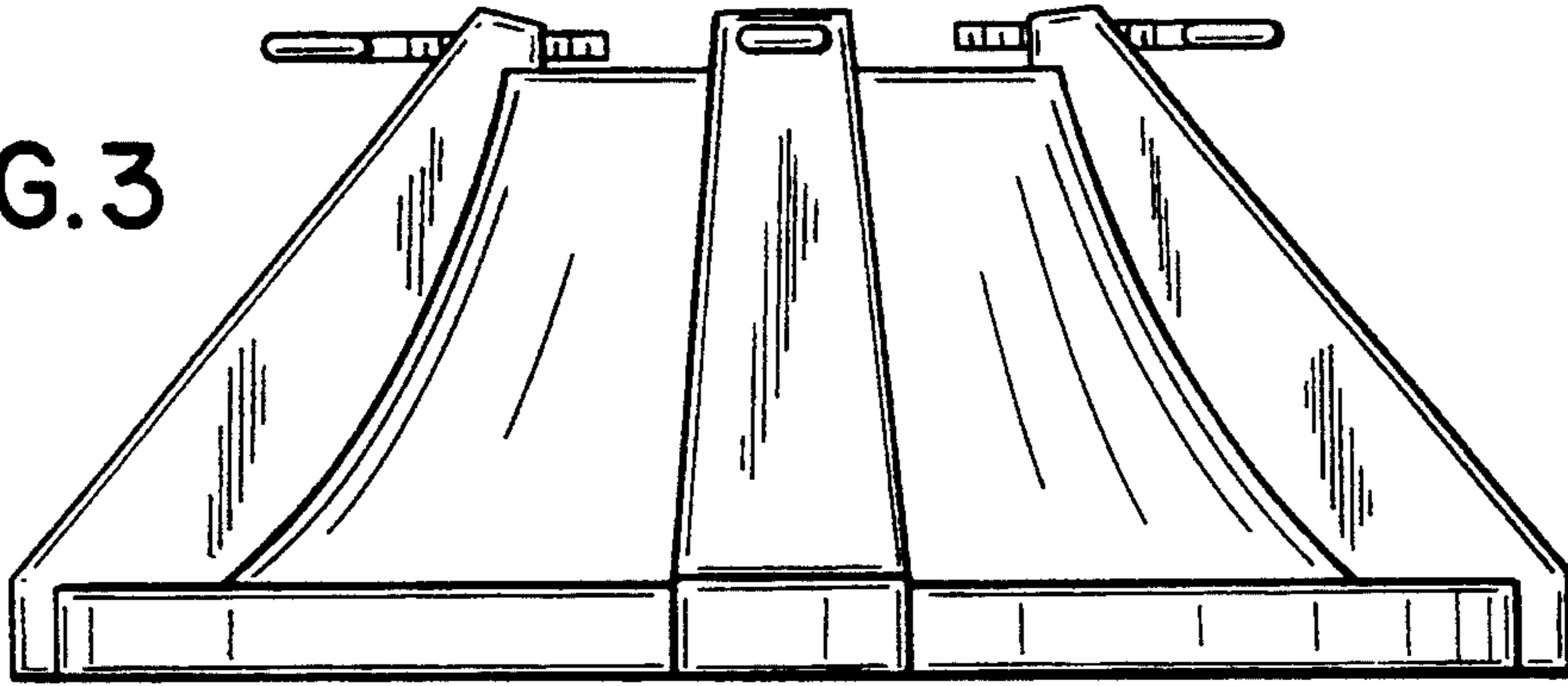


FIG. 4

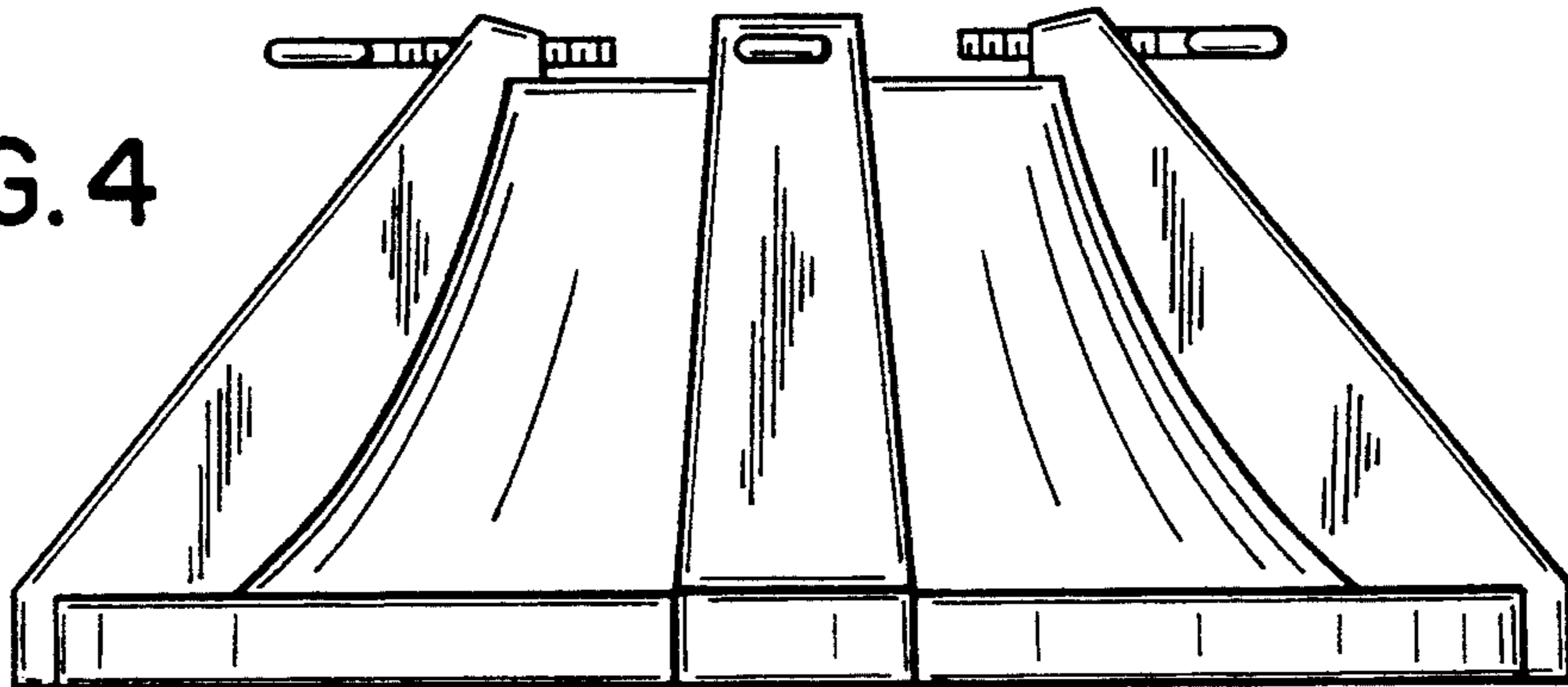


FIG. 5

