



US00D351564S

United States Patent [19]

[11] Patent Number: **Des. 351,564**

Schepis

[45] Date of Patent: **** Oct. 18, 1994**

[54] **SIGNALLING INDICATOR MODULE FOR SECURITY SYSTEMS**

4,520,349 5/1985 Varano .
4,750,094 6/1988 Krasik .
4,972,172 11/1990 McLaughlin .

[76] Inventor: **Al J. Schepis**, 4230 Mayapple Ct.,
Norcross, Ga. 30092

Primary Examiner—Wallace R. Burke
Assistant Examiner—Marcus Jackson
Attorney, Agent, or Firm—James A. Hinkle

[**] Term: **14 Years**

[21] Appl. No.: **20,300**

[57] **CLAIM**

The ornamental design for signalling indicator module for security systems, as shown and described.

[22] Filed: **Mar. 23, 1994**

[52] U.S. Cl. **D10/104**

[58] Field of Search 340/321, 541, 542, 543,
340/544, 545, 546, 547, 549, 556, 565, 566, 573,
586, 628, 629; D10/104, 106, 116, 121

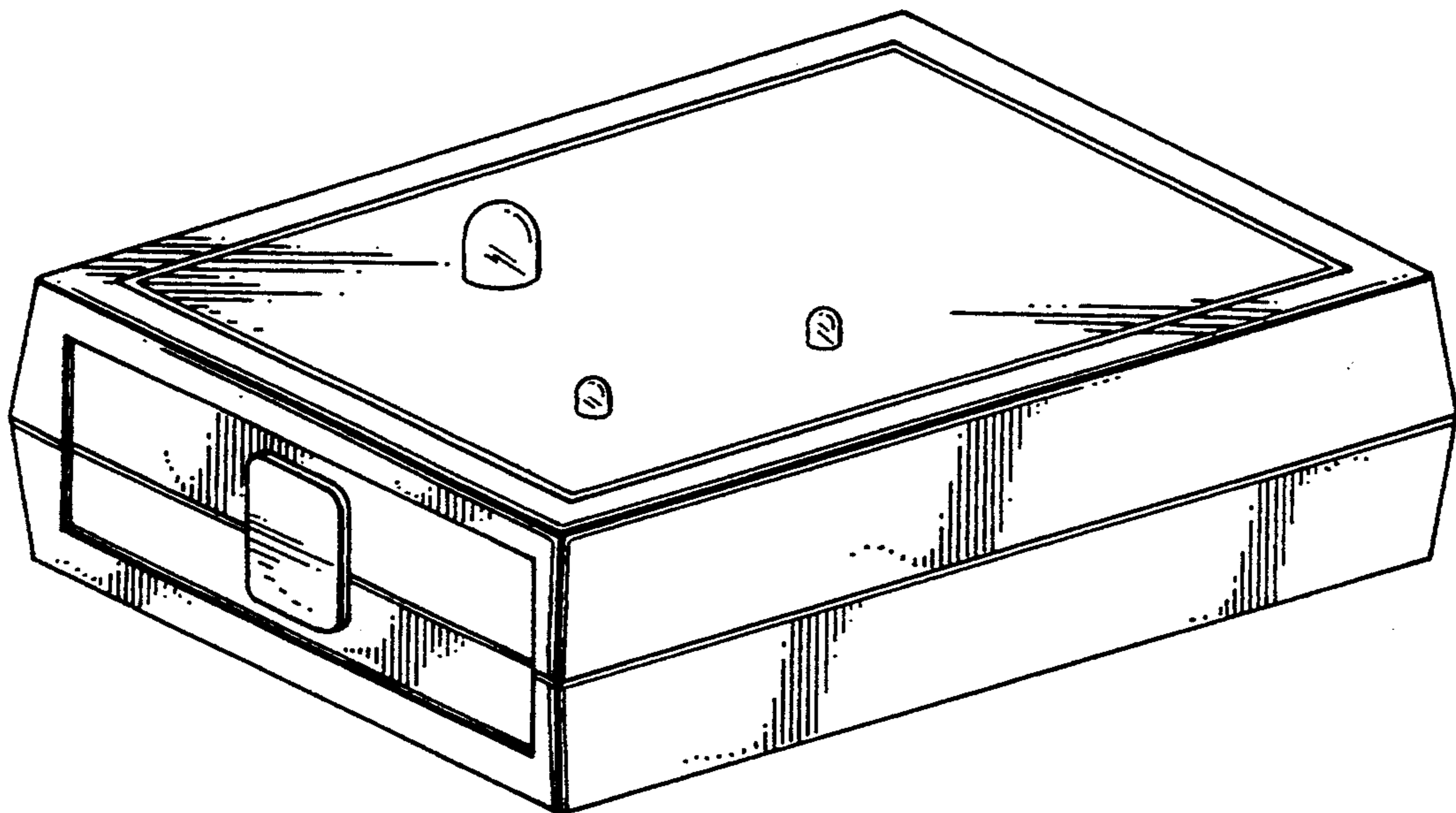
DESCRIPTION

FIG. 1 is a perspective view of a signalling indicator module for security systems showing my new design; FIG. 2 is a bottom perspective view thereof; FIG. 3 is a top plan view thereof; FIG. 4 is a right side elevation view thereof; FIG. 5 is a first end view thereof; FIG. 6 is a left side elevation view thereof; FIG. 7 is a bottom plan view thereof; and, FIG. 8 is a second end view thereof opposite the first end view.

[56] **References Cited**

U.S. PATENT DOCUMENTS

D. 336,052 6/1993 Campman D10/104
D. 342,212 12/1993 Zi D10/106
3,360,791 12/1967 Lazar .
3,530,432 9/1970 Pope .
3,863,236 1/1975 Clardy .



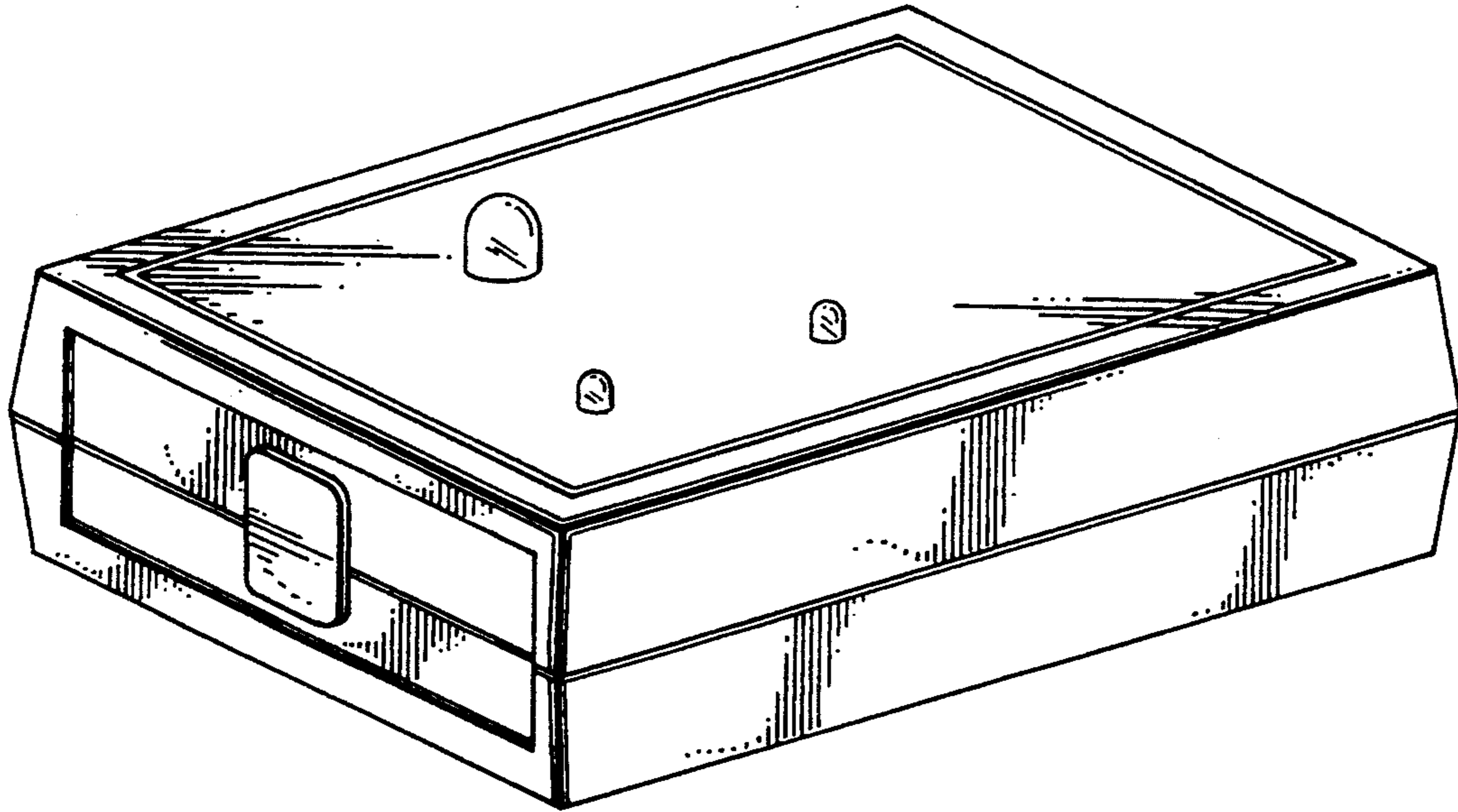
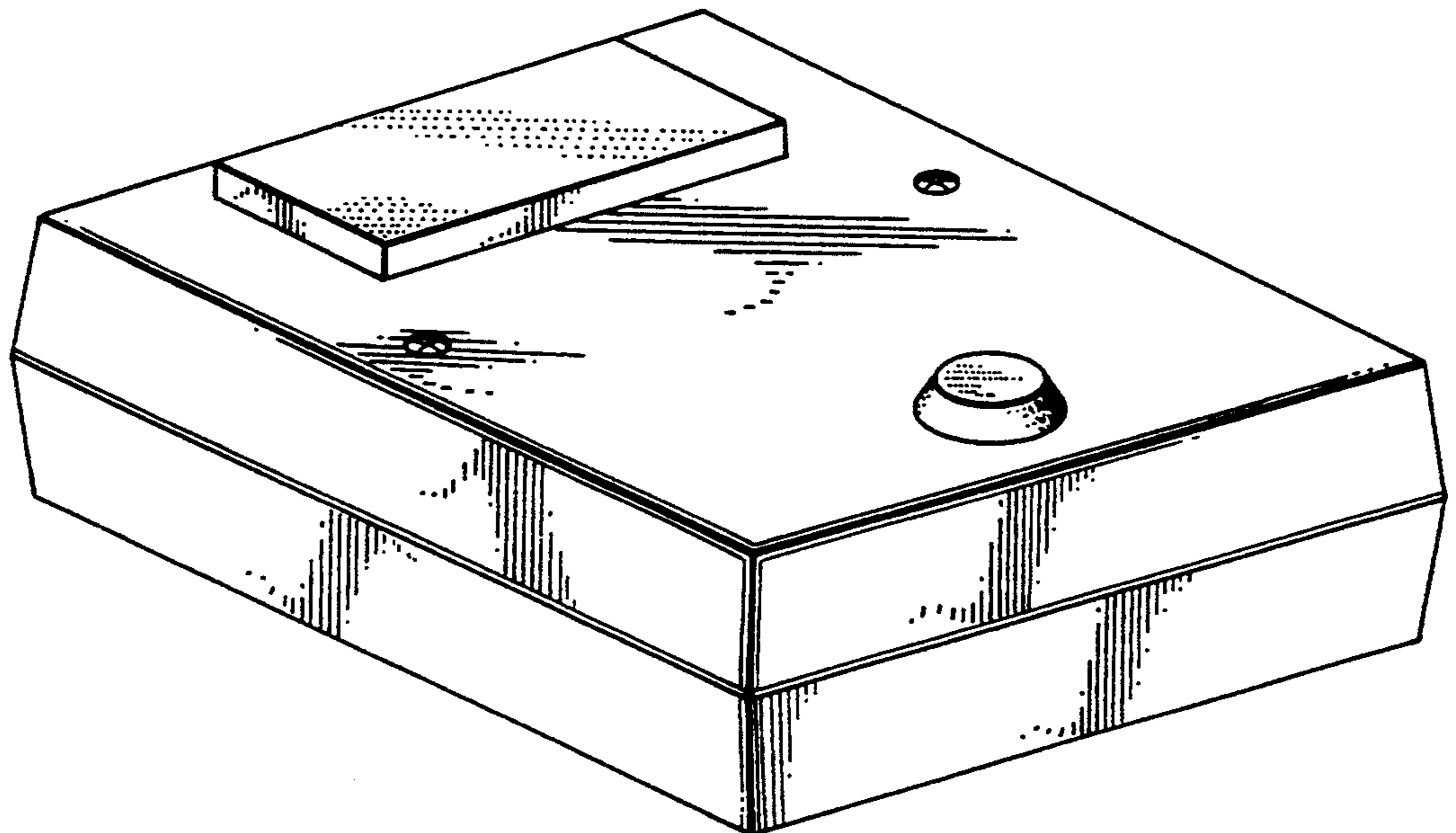


Fig. 1

Fig. 2



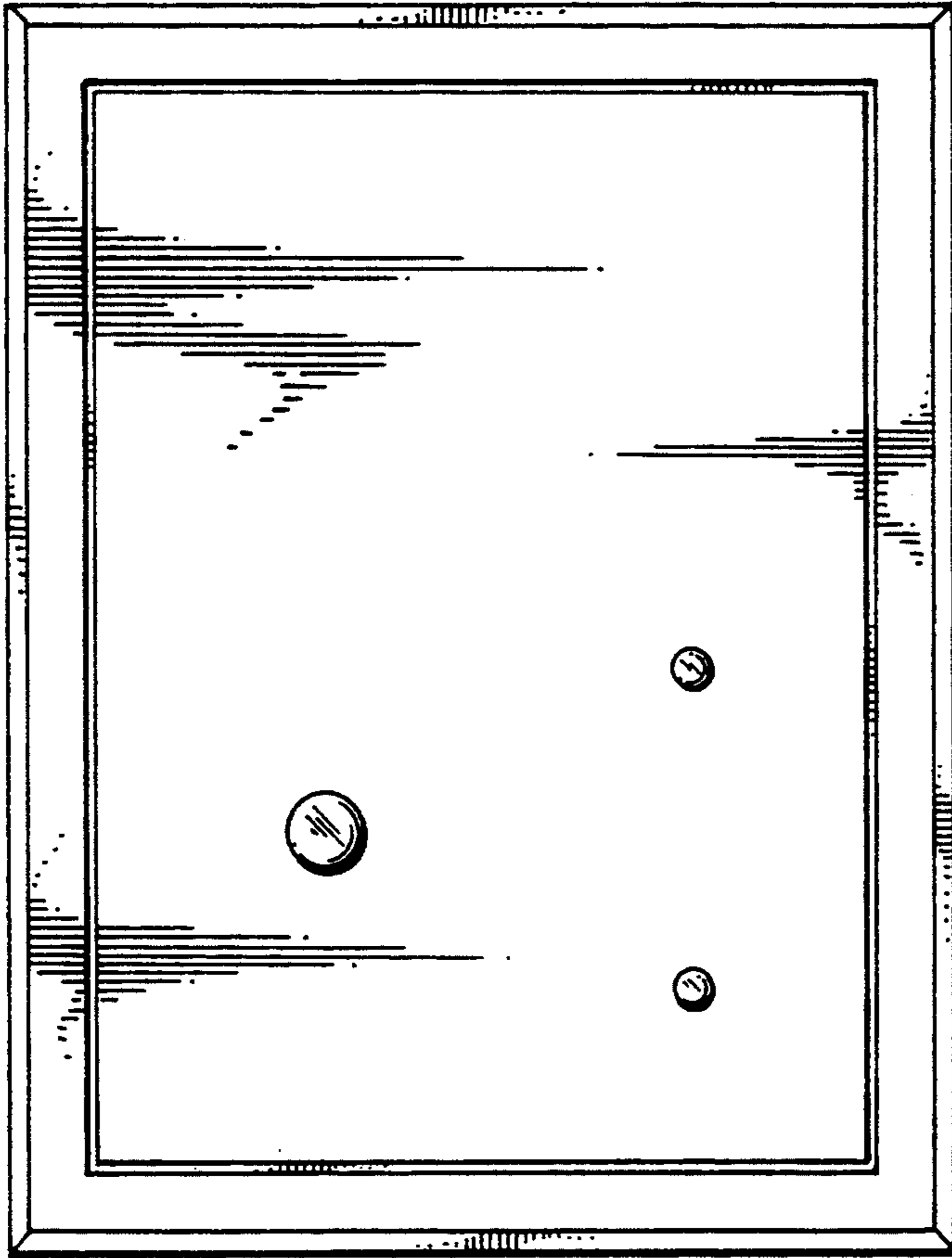


Fig. 3

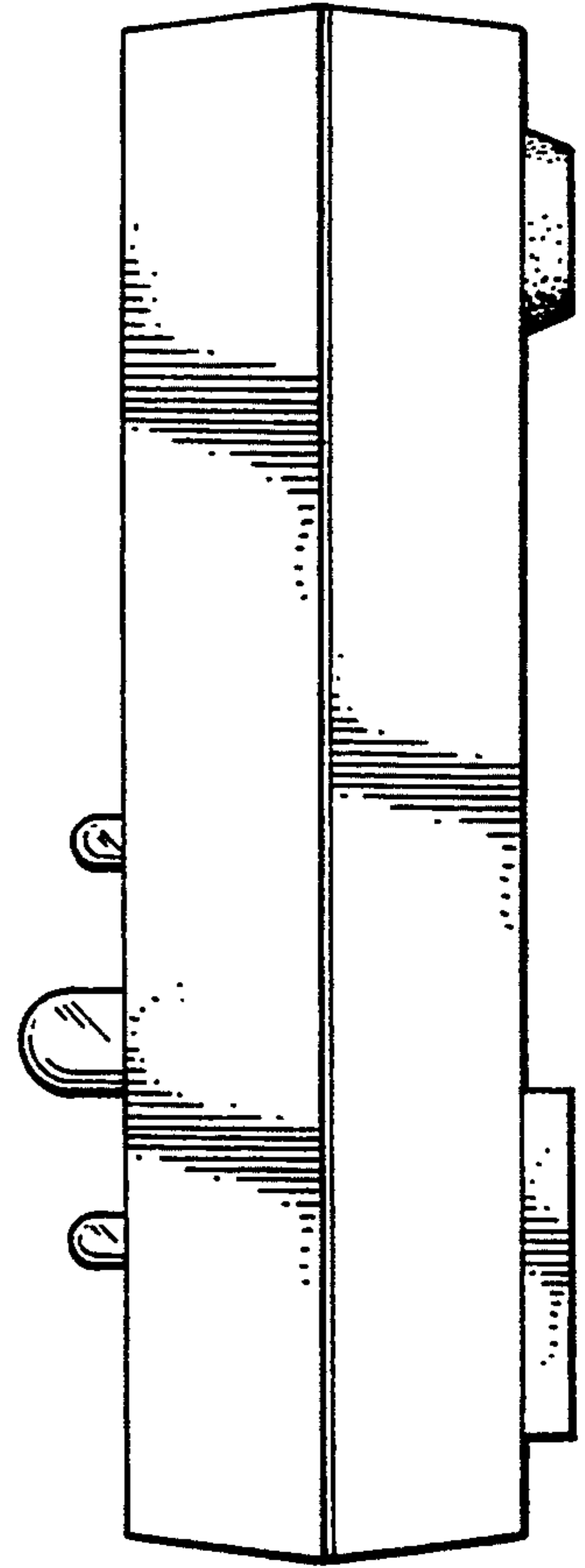


Fig. 4

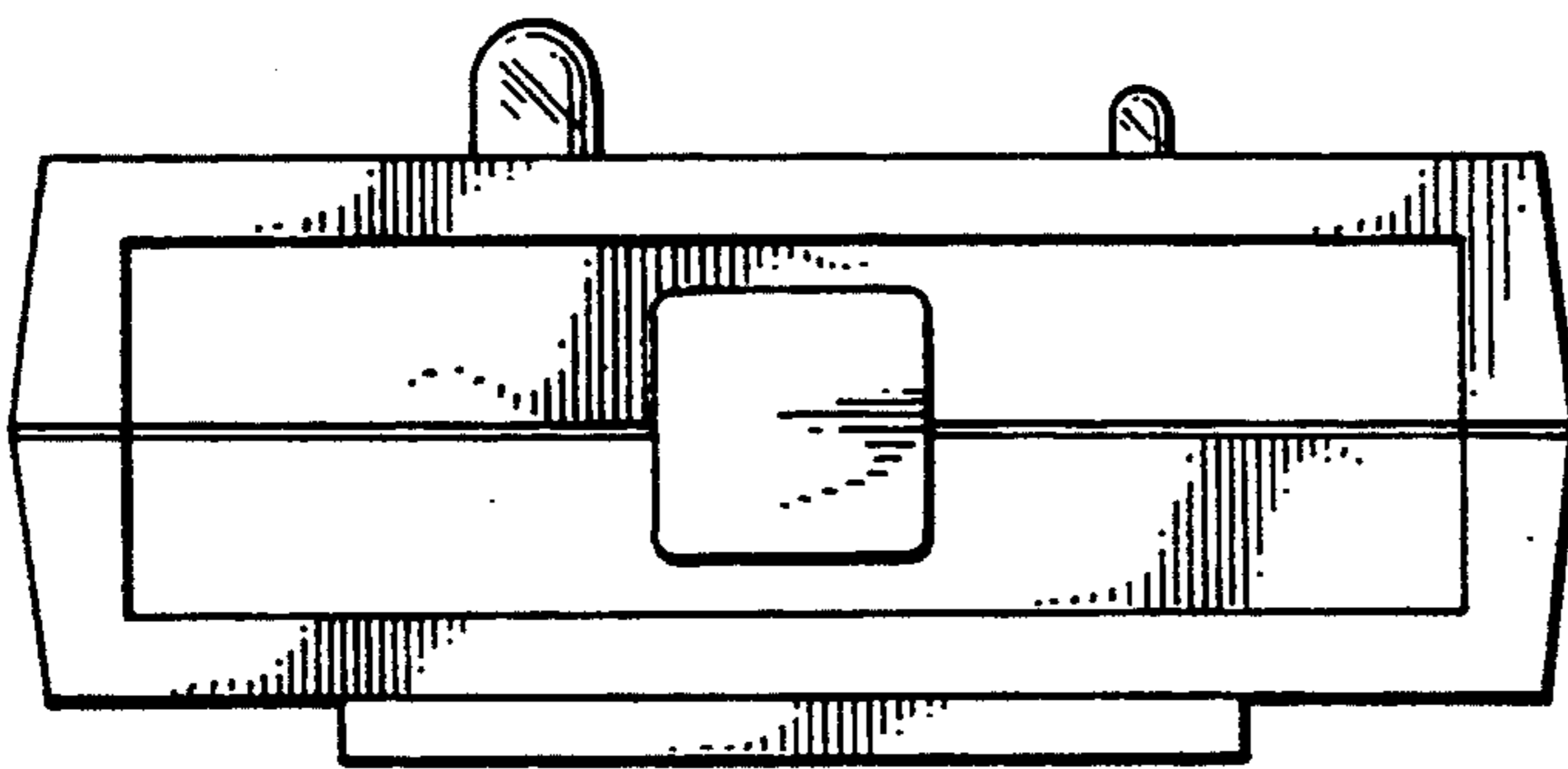


Fig. 5

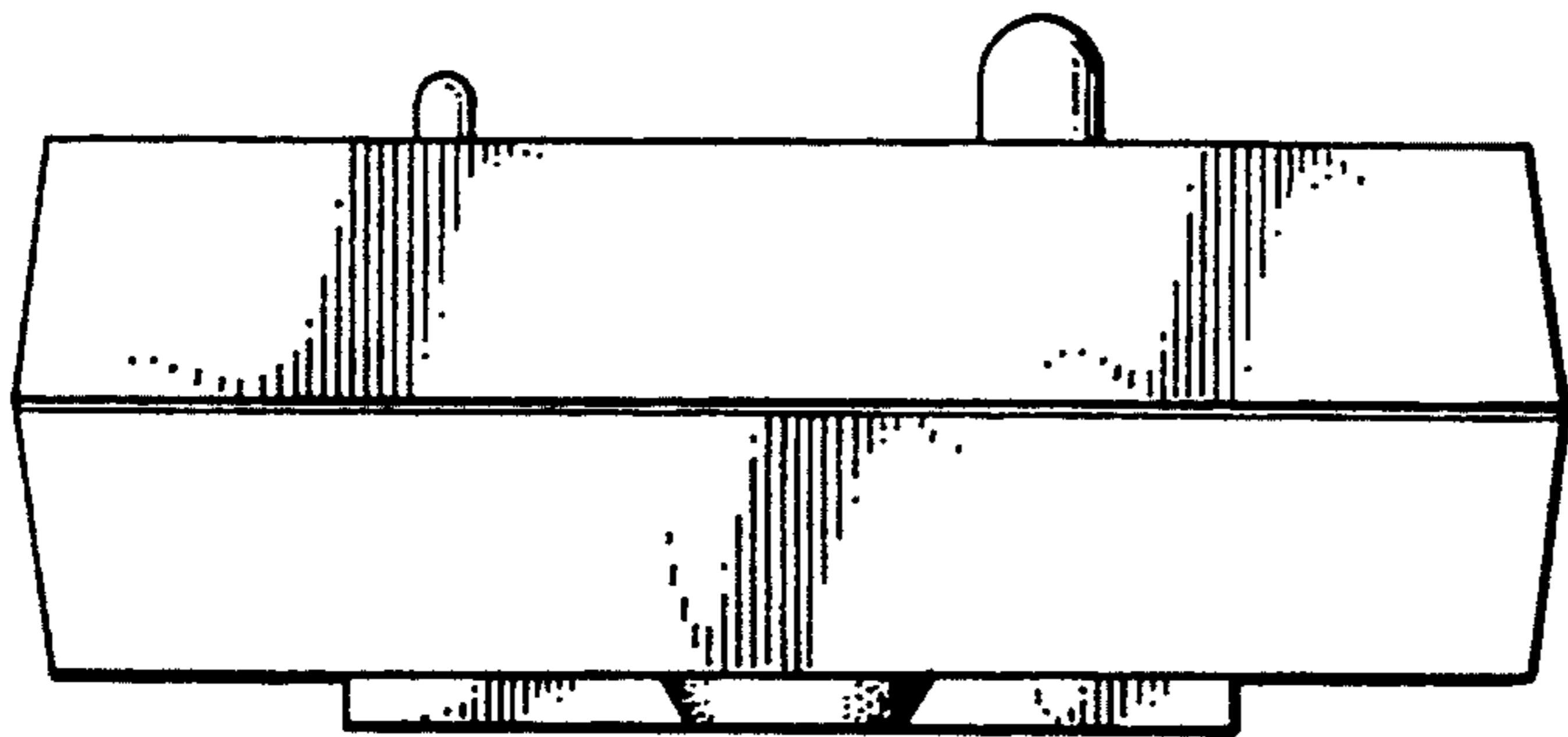


Fig. 8

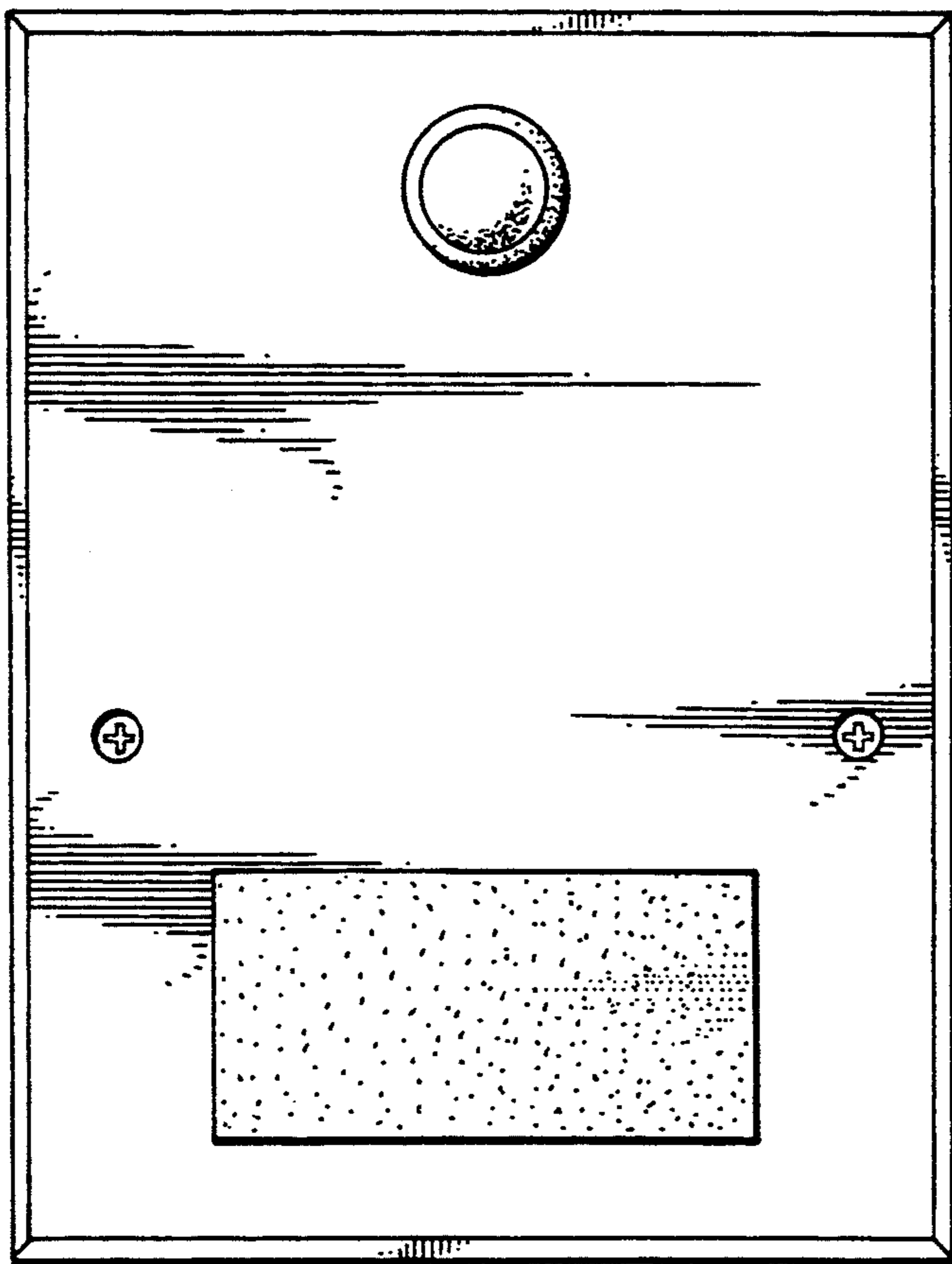


Fig. 7

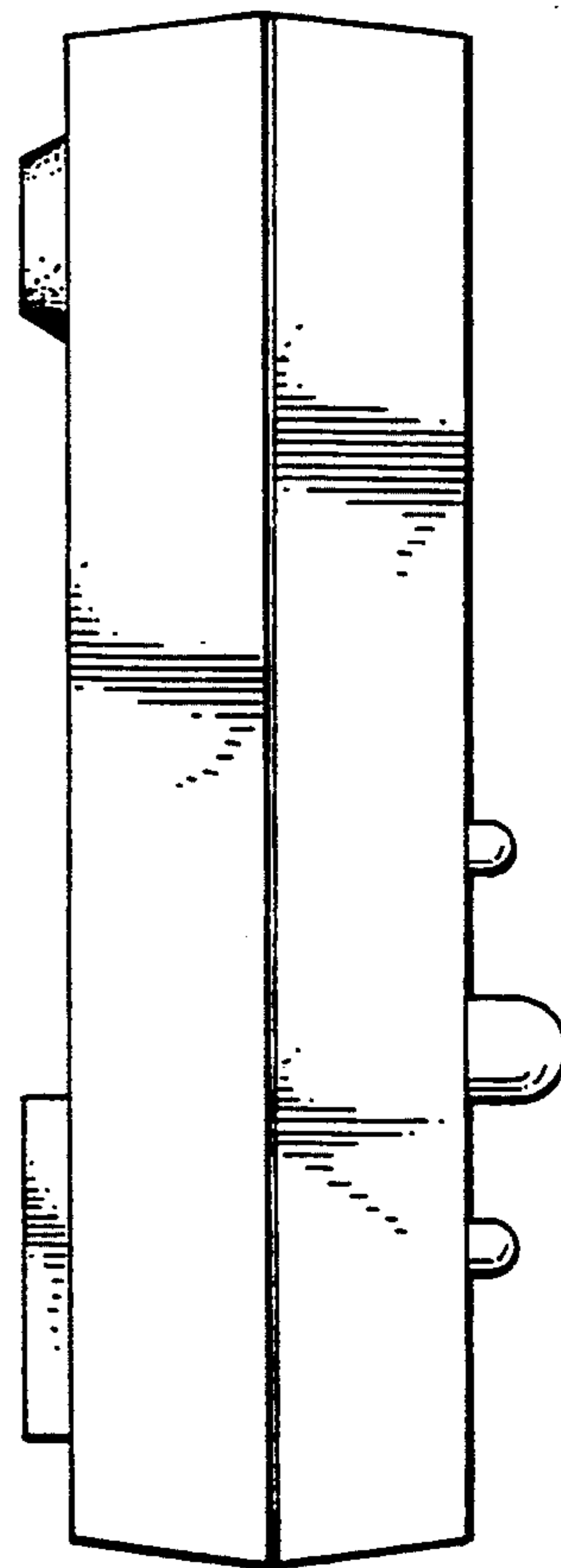


Fig. 6