



US00D351563S

United States Patent [19]

[11] Patent Number: Des. 351,563

DellaVilla

[45] Date of Patent: ** Oct. 18, 1994

[54] LOCKED SECURITY COVER FOR A SMOKE ALARM

D. 336,418 6/1993 Carter D10/104
D. 343,366 1/1994 Dreher D10/104

[76] Inventor: Robert DellaVilla, 2230 Greenspoint Ave., Schenectady, N.Y. 12303

Primary Examiner—Wallace R. Burke
Assistant Examiner—Marcus Jackson
Attorney, Agent, or Firm—Terry M. Gernstein

[**] Term: 14 Years

[57] CLAIM

[21] Appl. No.: 16,395

The ornamental design for a locked security cover for a smoke alarm, as shown and described.

[22] Filed: Dec. 16, 1993

[52] U.S. Cl. D10/104

[58] Field of Search 340/571, 572, 573, 577, 340/578, 579, 627, 628, 629, 630, 693; D10/104, 106, 121; D29/1, 5; D22/119

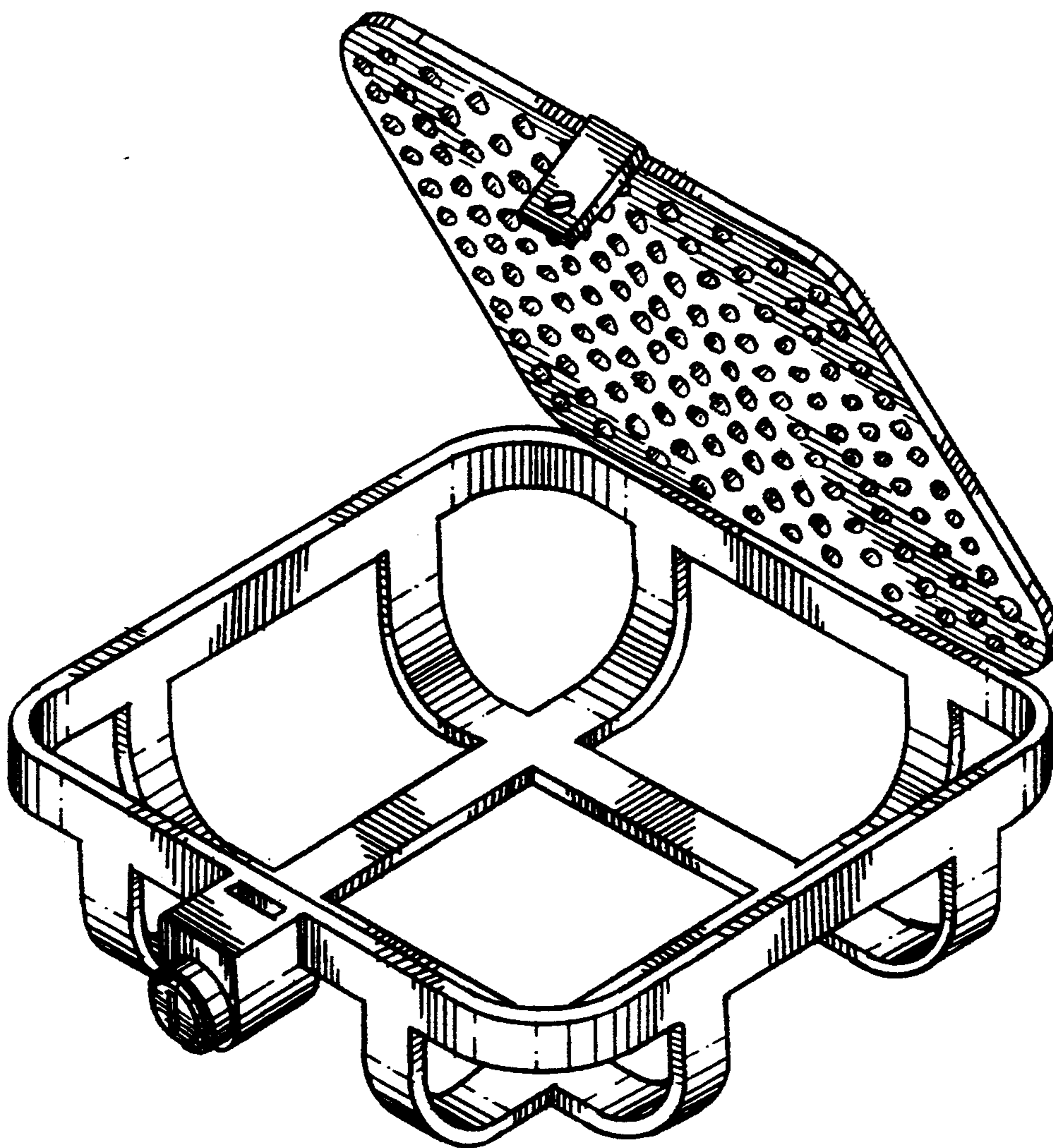
DESCRIPTION

FIG. 1 is a front, top and side perspective view of the locked security cover for a smoke alarm showing my new design in the open condition; FIG. 2 is a front elevational view thereof; FIG. 3 is a rear elevational view thereof; FIG. 4 is a side elevational view thereof, the side opposite being a mirror image of the side shown in FIG. 4; FIG. 5 is a top plan view thereof; and, FIG. 6 is a bottom plan view thereof.

[56] References Cited

U.S. PATENT DOCUMENTS

- D. 260,378 8/1981 Mallory D10/121
- D. 271,089 10/1983 Mallory .
- D. 290,098 6/1987 Jameson .
- D. 297,270 8/1988 Taylor .



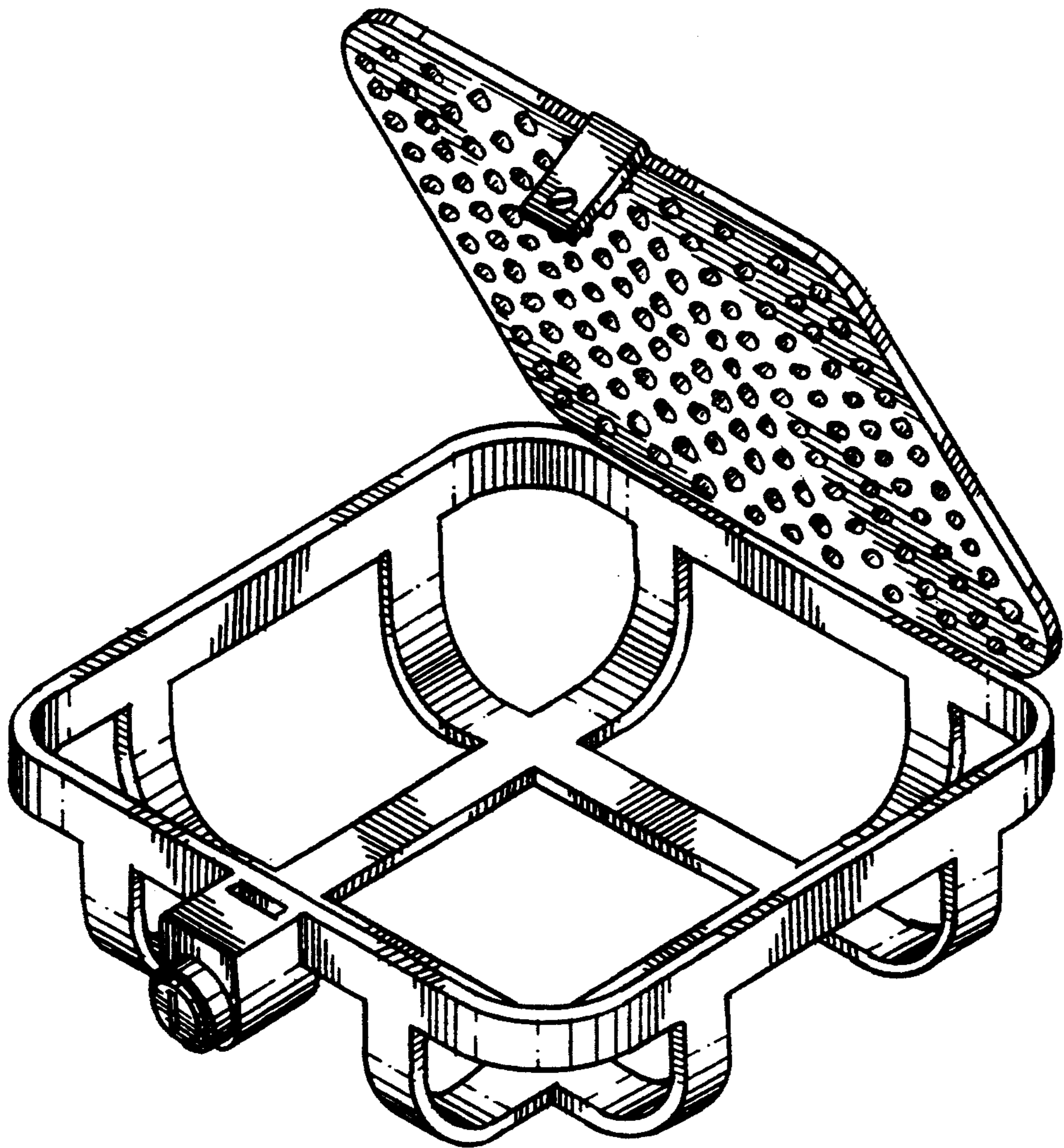


FIG. 1.

FIG. 5.

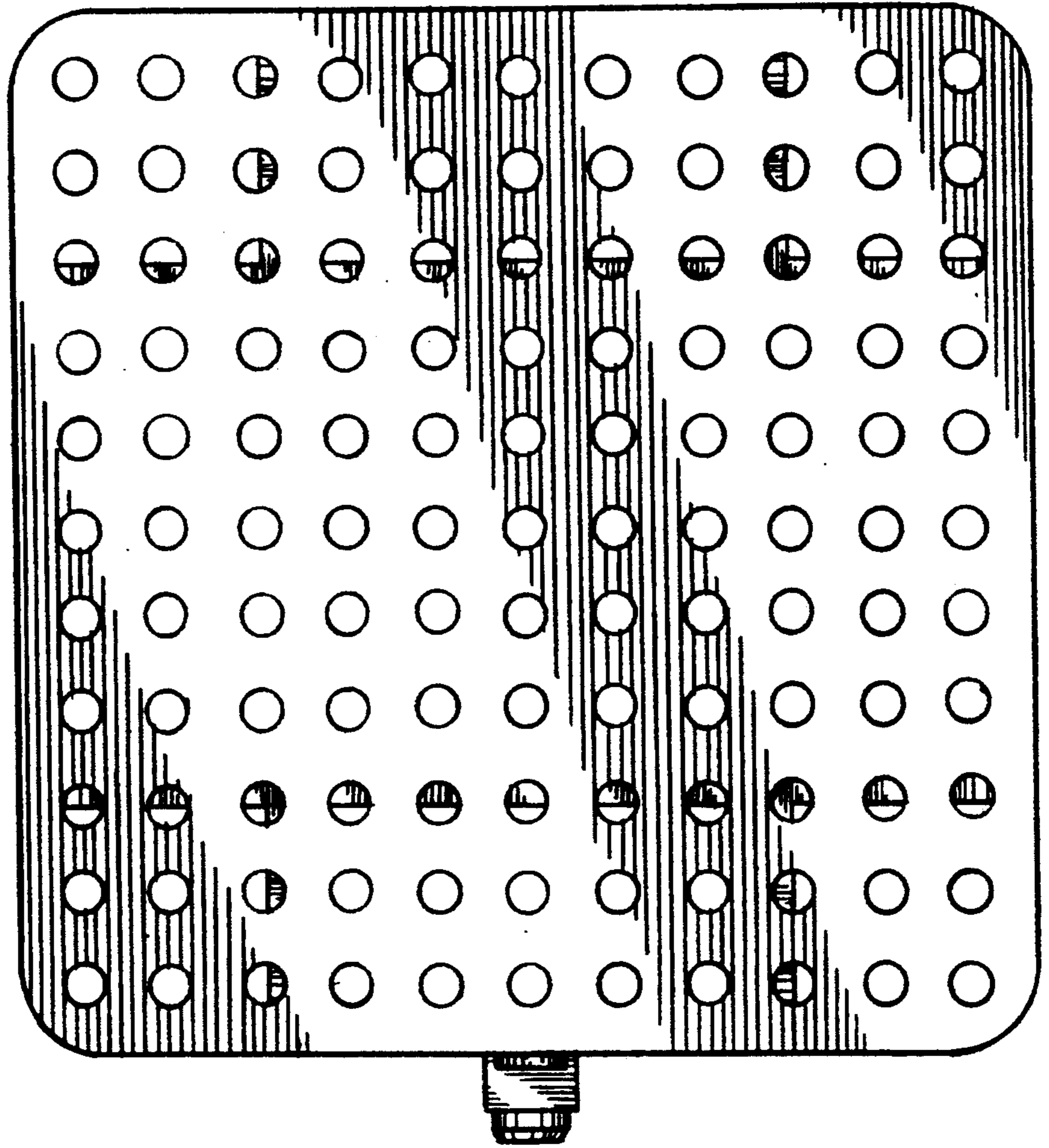


FIG. 2.

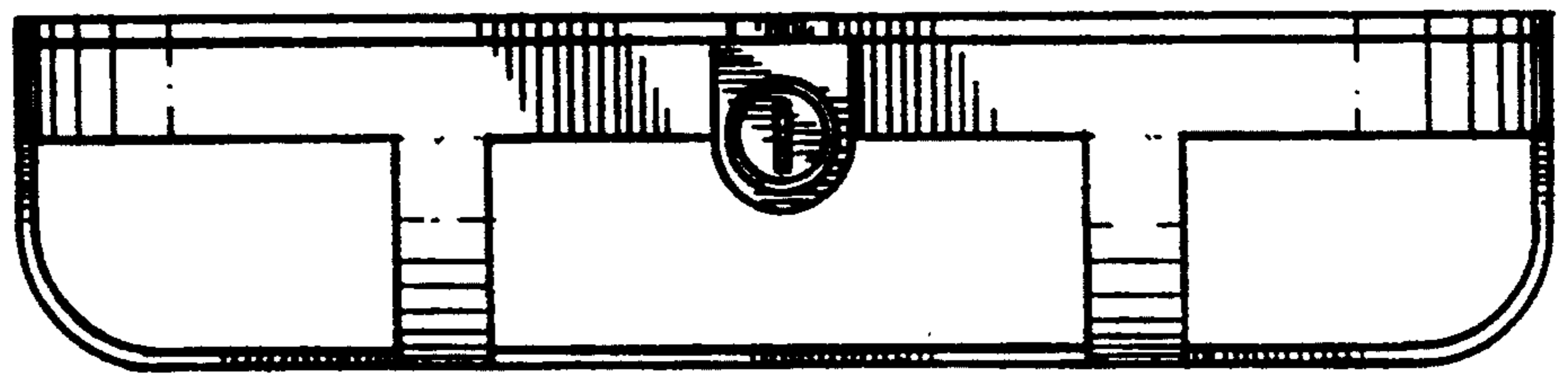


FIG. 6.

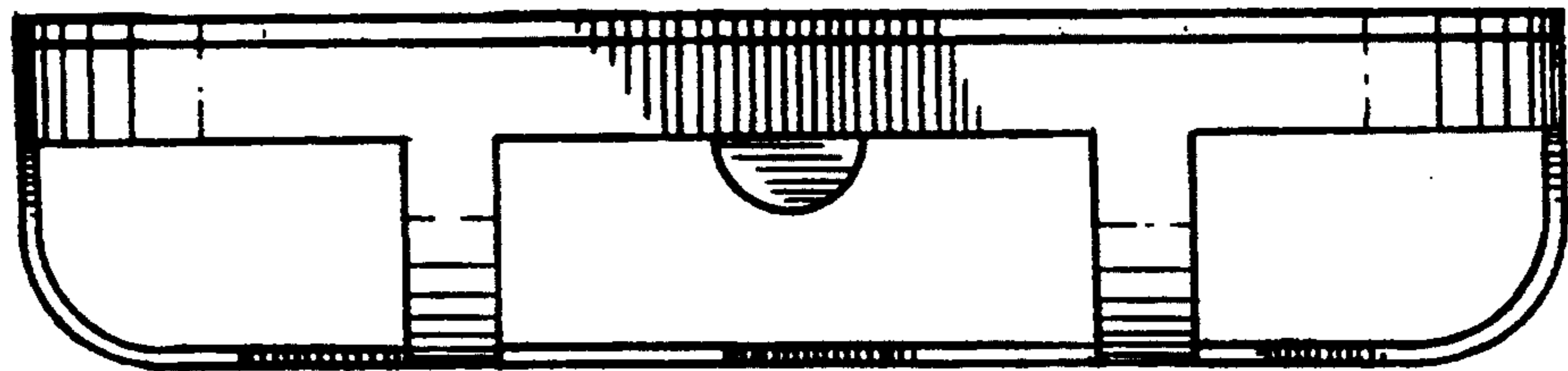
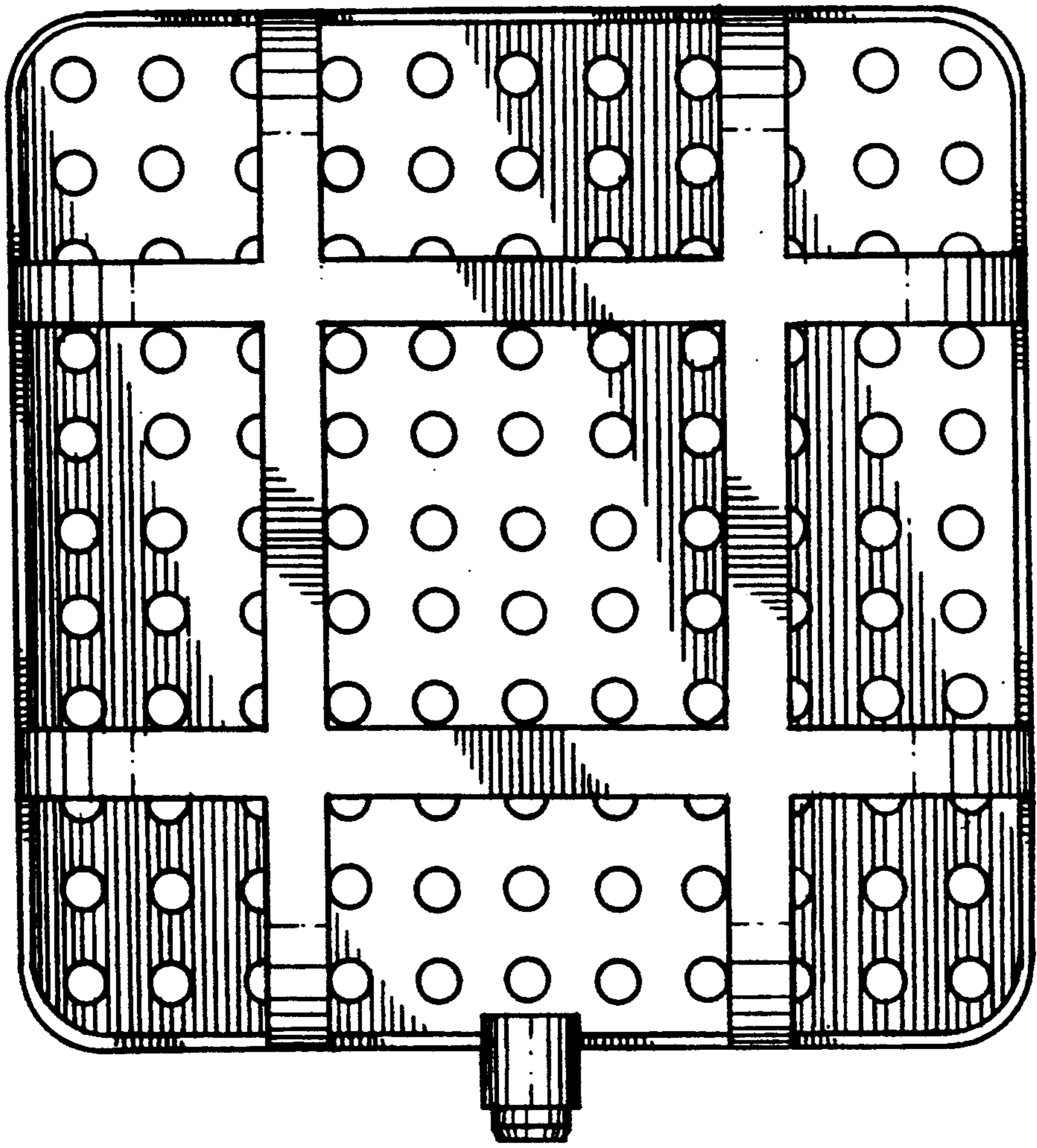


FIG. 3.

FIG. 4.

