



US00D351560S

United States Patent [19]

Schneider

[11] Patent Number: Des. 351,560

[45] Date of Patent: ** Oct. 18, 1994

[54] SKIN PROGRAMMER

[75] Inventor: Peter Schneider, Koenigstein, Fed. Rep. of Germany

[73] Assignee: The Gillette Company, Boston, Mass.

[**] Term: 14 Years

[21] Appl. No.: 894,798

[22] Filed: May 29, 1992

[52] U.S. Cl. D10/56; D24/186

[58] Field of Search 128/743, 280, 734, 632; D24/186, 185, 187; D10/56, 46, 75

[56] **References Cited**

U.S. PATENT DOCUMENTS

- D. 286,676 11/1986 McJunkin D24/186 X
- D. 286,921 11/1986 Takiagawa D24/200 X
- 4,013,065 3/1977 Copeland et al. 128/632

- 4,088,125 5/1978 Forgione et al. 128/734
- 4,096,852 6/1978 Adams 128/734
- 4,670,010 6/1987 Dragone D24/201 X
- 4,711,244 12/1987 Kuzara 128/632

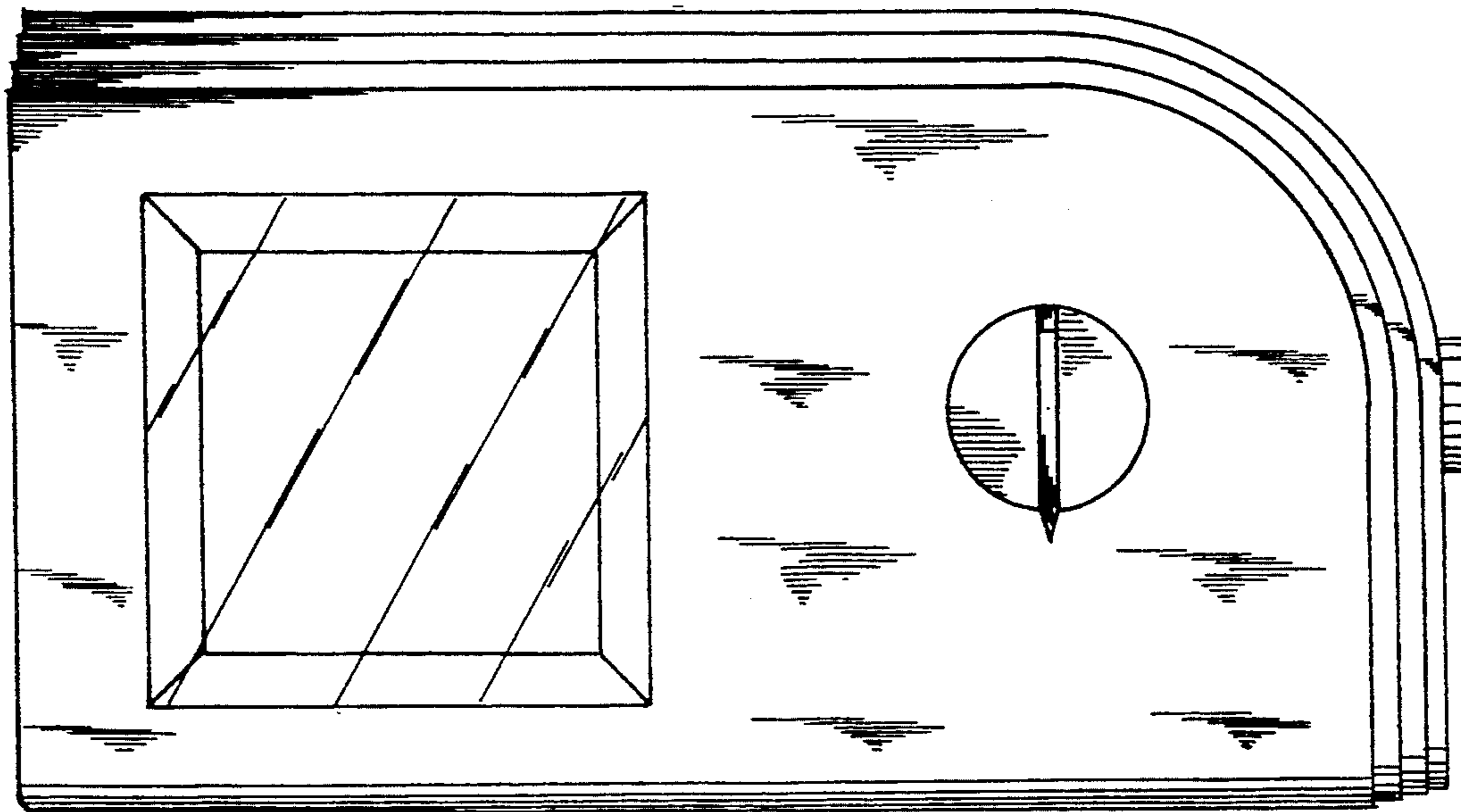
Primary Examiner—A. Hugo Word
Assistant Examiner—I. Simmons
Attorney, Agent, or Firm—Stephan P. Williams

[57] **CLAIM**

The ornamental design for a skin programmer, as shown.

DESCRIPTION

FIG. 1 is a front elevational view of a skin programmer showing my new design;
FIG. 2 is a left side elevational view thereof;
FIG. 3 is a rear elevational view thereof;
FIG. 4 is a right side elevational view thereof;
FIG. 5 is a top plan view thereof; and,
FIG. 6 is a bottom plan view thereof.



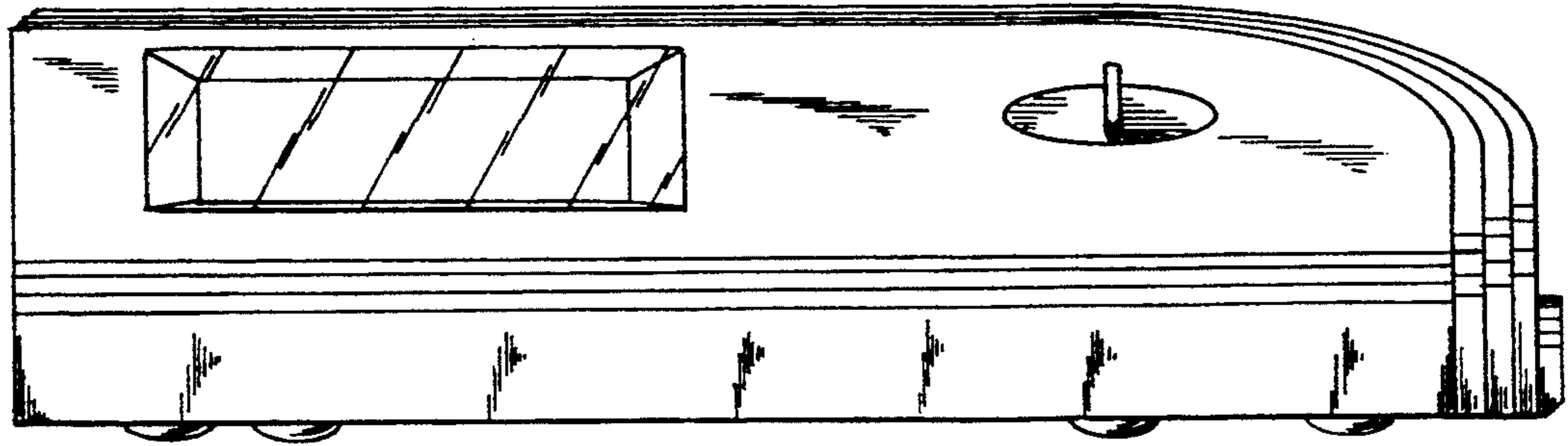


Fig. 1

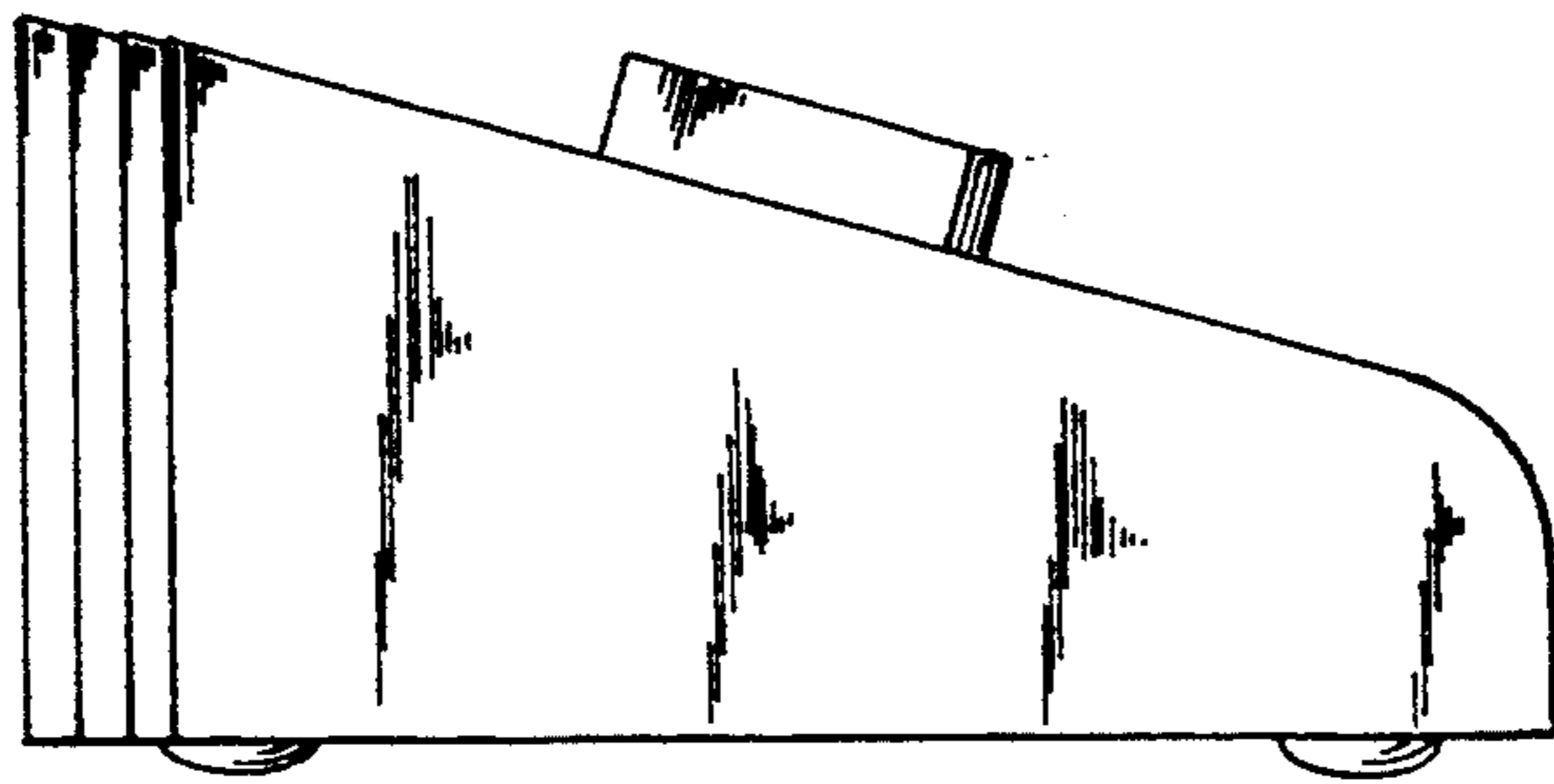


Fig. 2

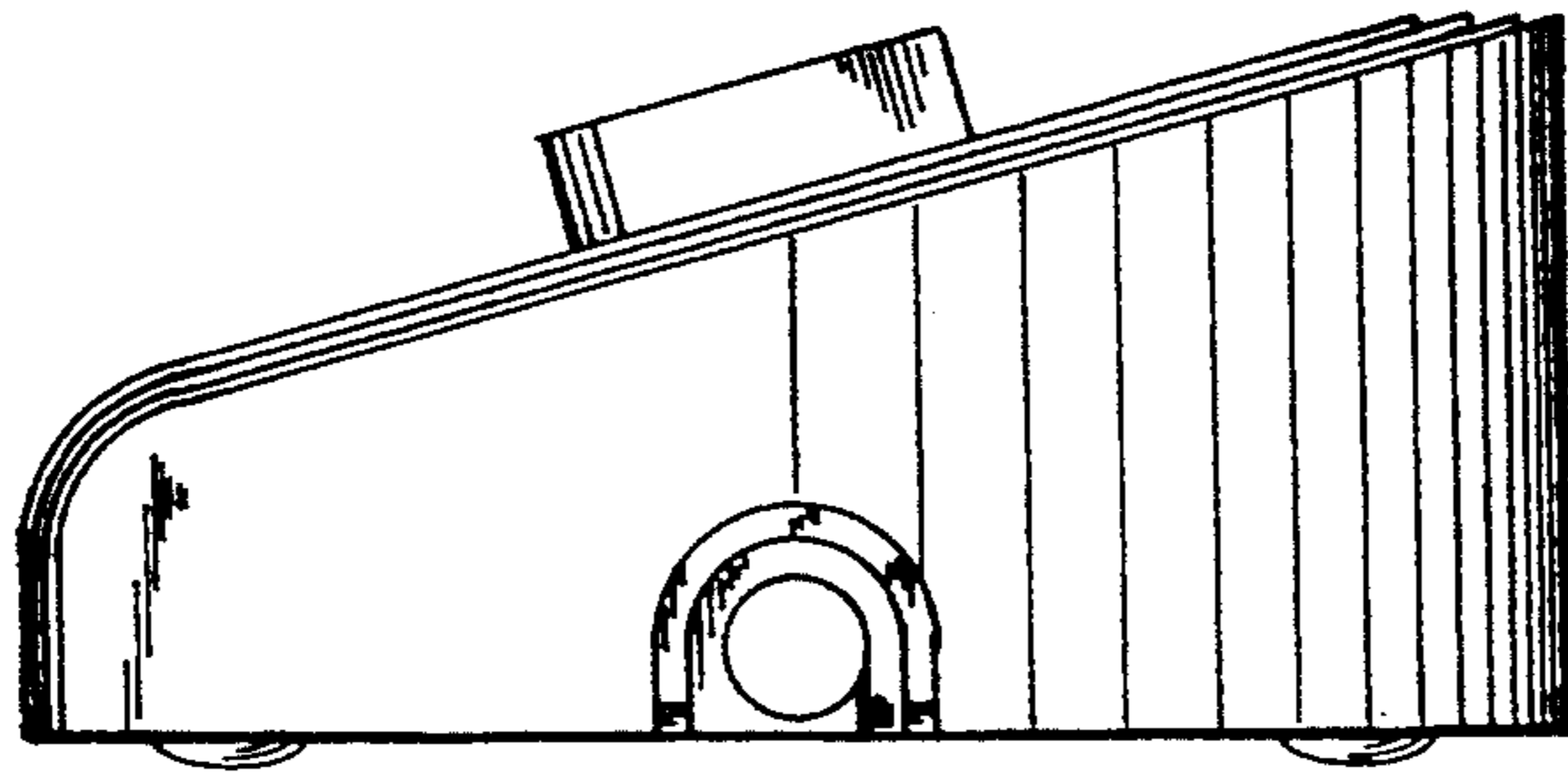


Fig. 4

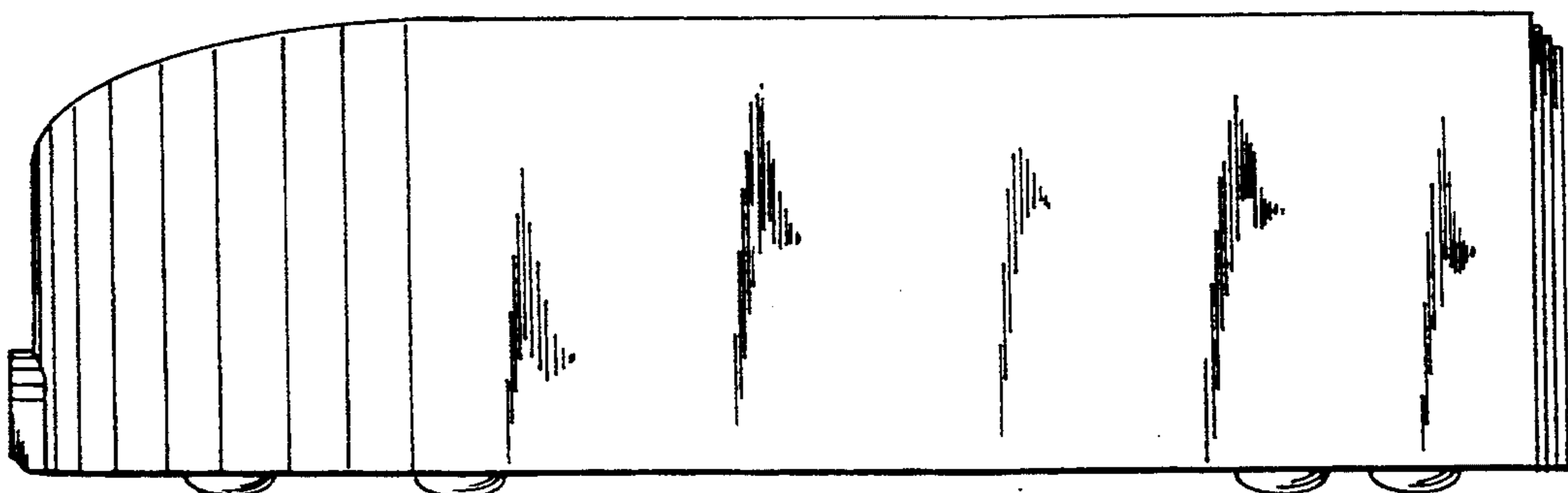


Fig. 3

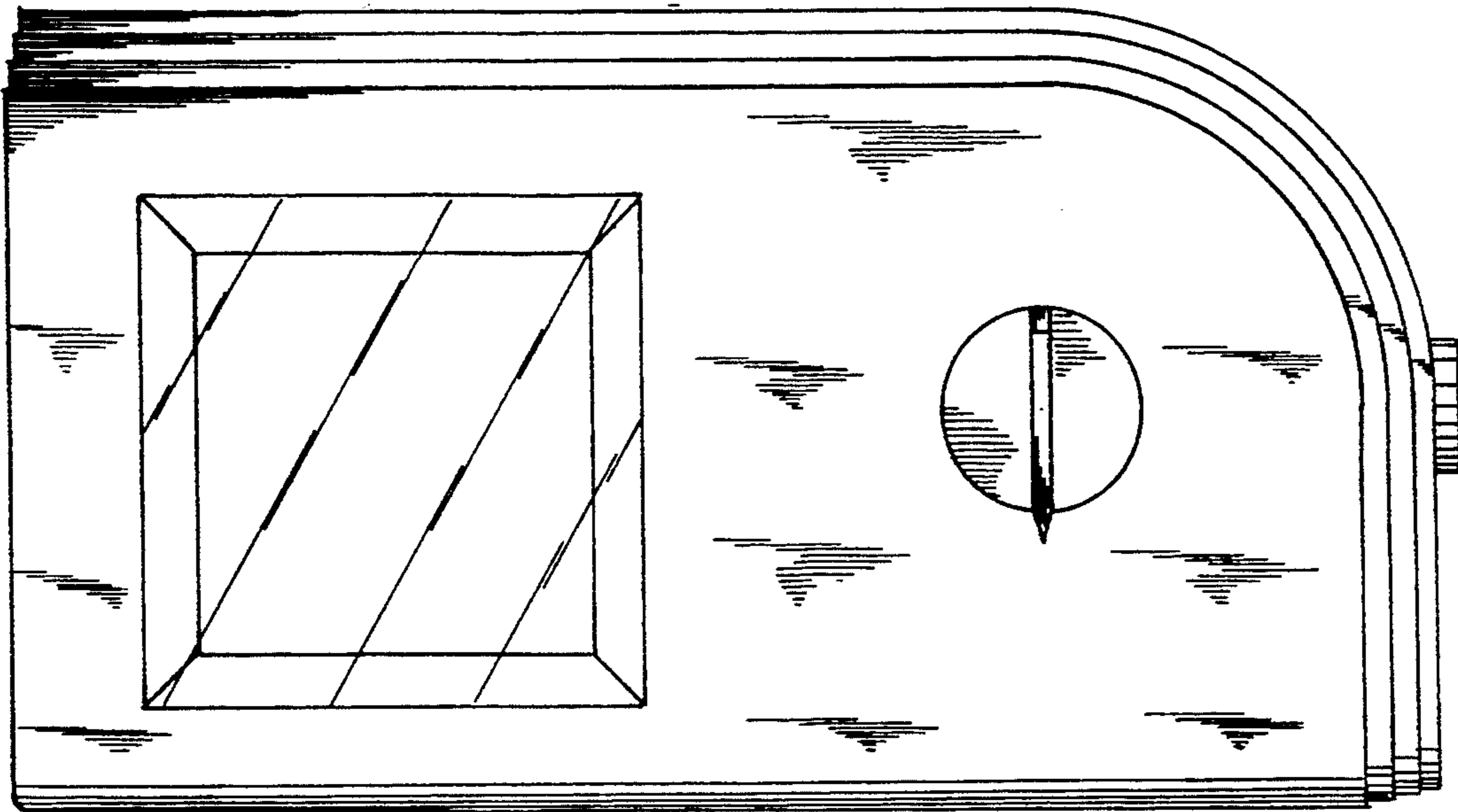


Fig. 5

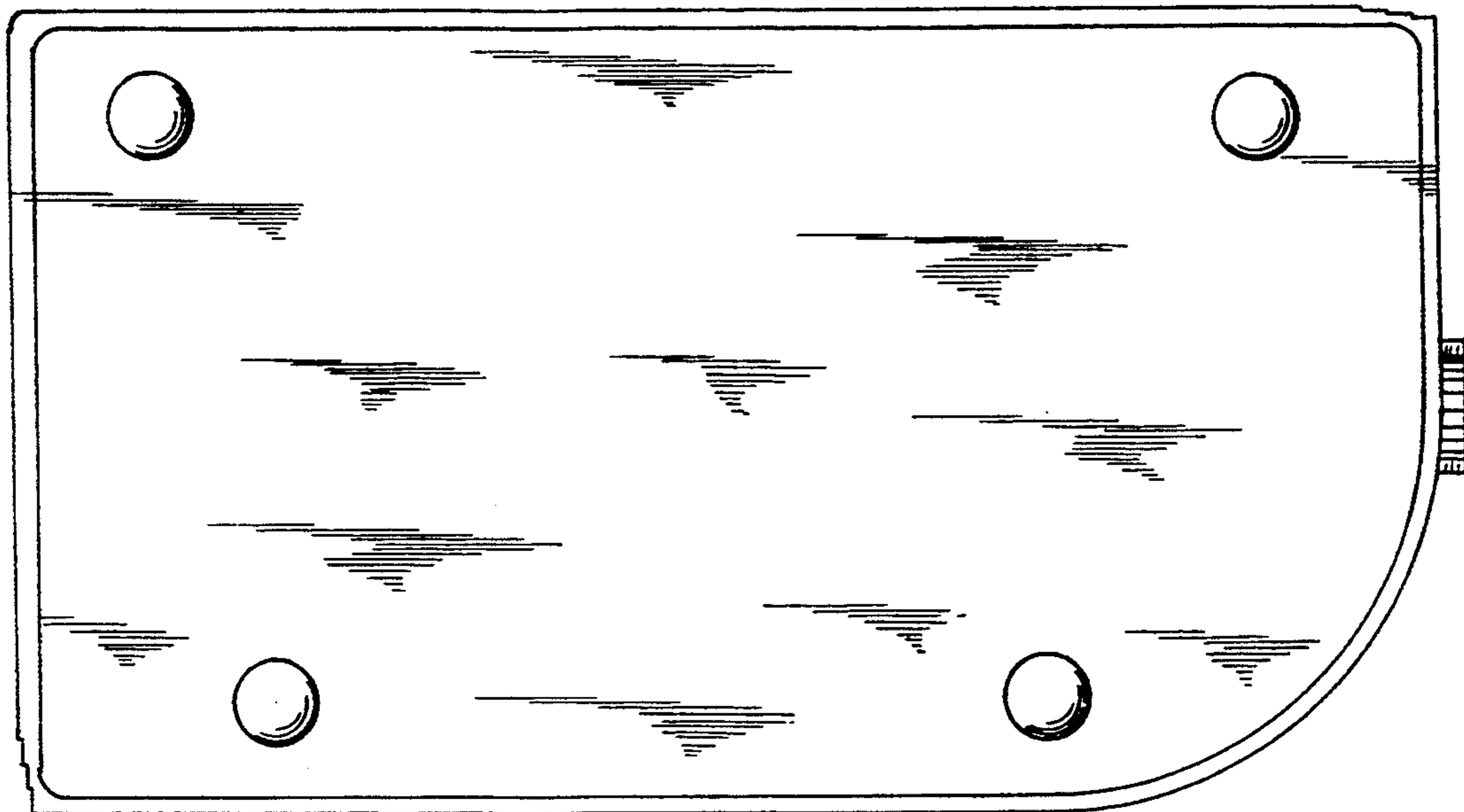


Fig. 6