



US00D351558S

United States Patent [19] Moon

[11] Patent Number: **Des. 351,558**

[45] Date of Patent: **** Oct. 18, 1994**

[54] **WRIST WATCH**

[76] Inventor: **Junho Moon**, 548 S. Broadway,
Tarrytown, N.Y. 10591

[**] Term: **14 Years**

[21] Appl. No.: **789,151**

[22] Filed: **Nov. 6, 1991**

[52] U.S. Cl. **D10/32**

[58] Field of Search 368/223-232,
368/276, 277, 278, 280-282, 285, 318, 322-323;
D10/1-29, 30-39, 122-132

3,686,884 8/1972 Hurt .
3,712,046 1/1973 Dill .
3,890,776 6/1975 Urushida D10/39 X
4,473,304 9/1984 Ketner .

Primary Examiner—Martie Thompson
Attorney, Agent, or Firm—Terry M. Gernstein

[57] **CLAIM**

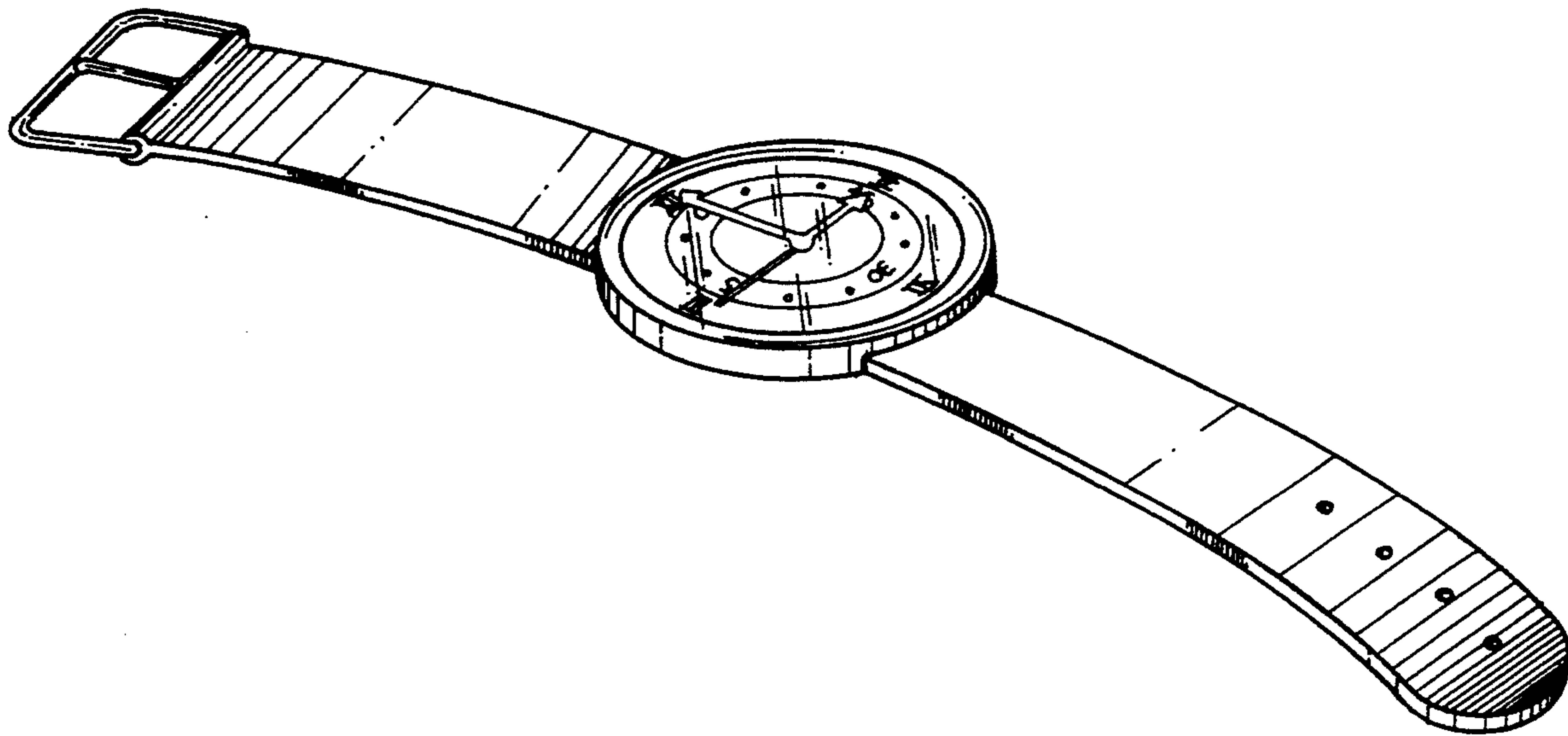
The ornamental design for a wrist watch, as shown and described.

DESCRIPTION

FIG. 1 is a perspective view of a wrist watch showing my new design;
FIG. 2 is a front elevational view;
FIG. 3 is a rear elevational view;
FIG. 4 is a left side elevational view;
FIG. 5 is a top plan view; and,
FIG. 6 is a bottom plan view thereof.

[56] **References Cited**
U.S. PATENT DOCUMENTS

D. 99,587 5/1936 Ribera D10/30 X
D. 221,789 9/1971 Kolbrener D10/39
D. 308,178 5/1990 Zaboyan D10/124



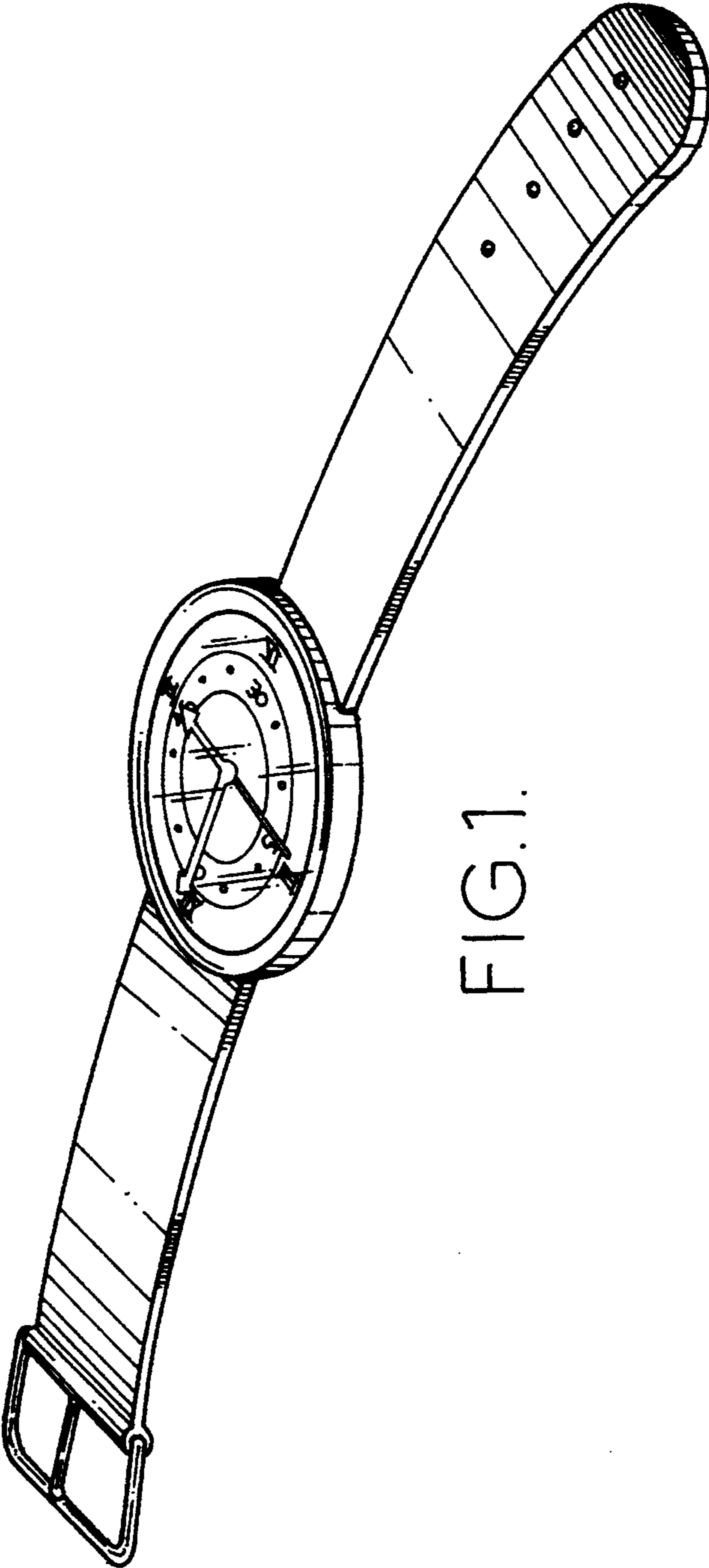


FIG. 1.

FIG. 4.

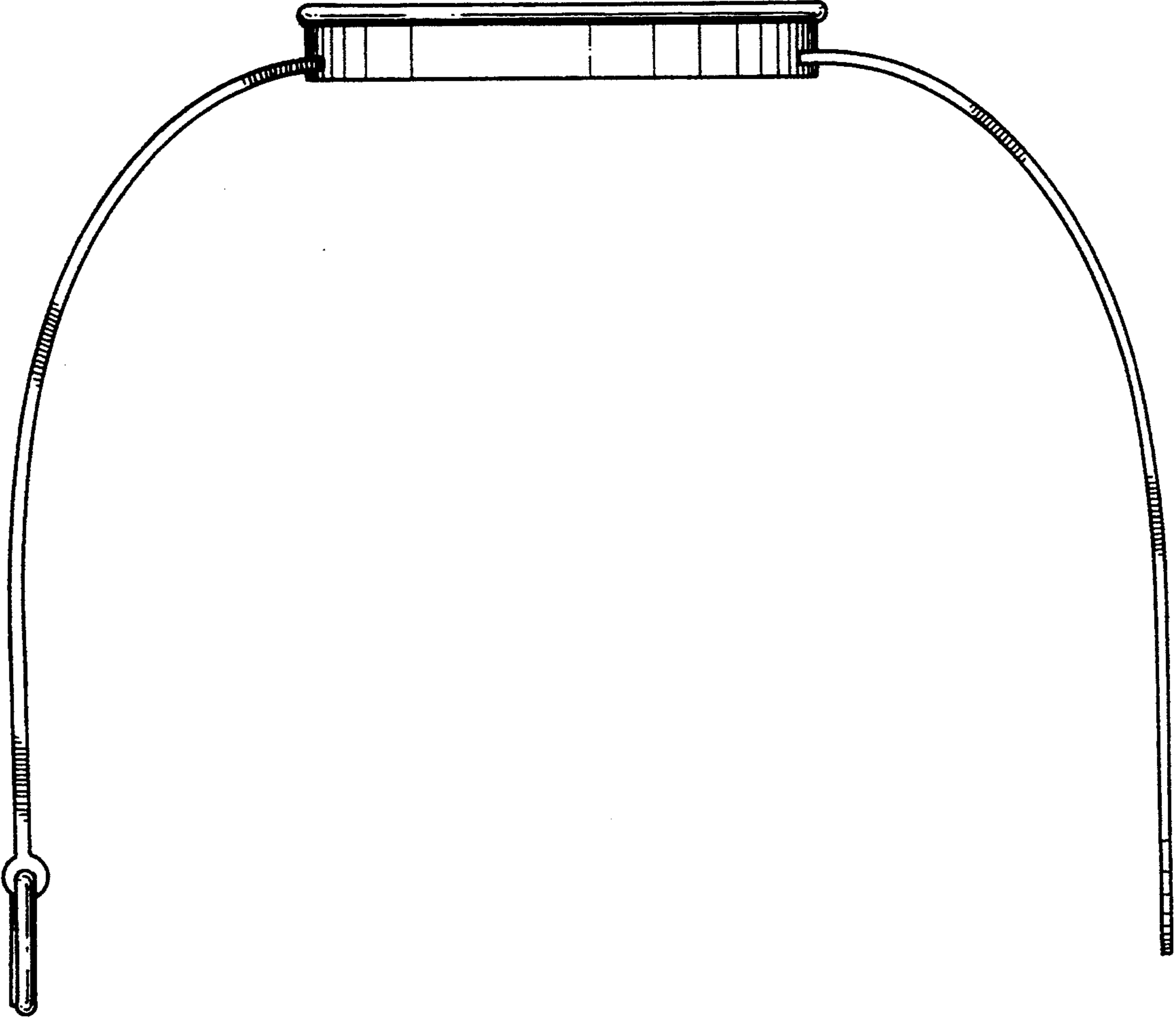
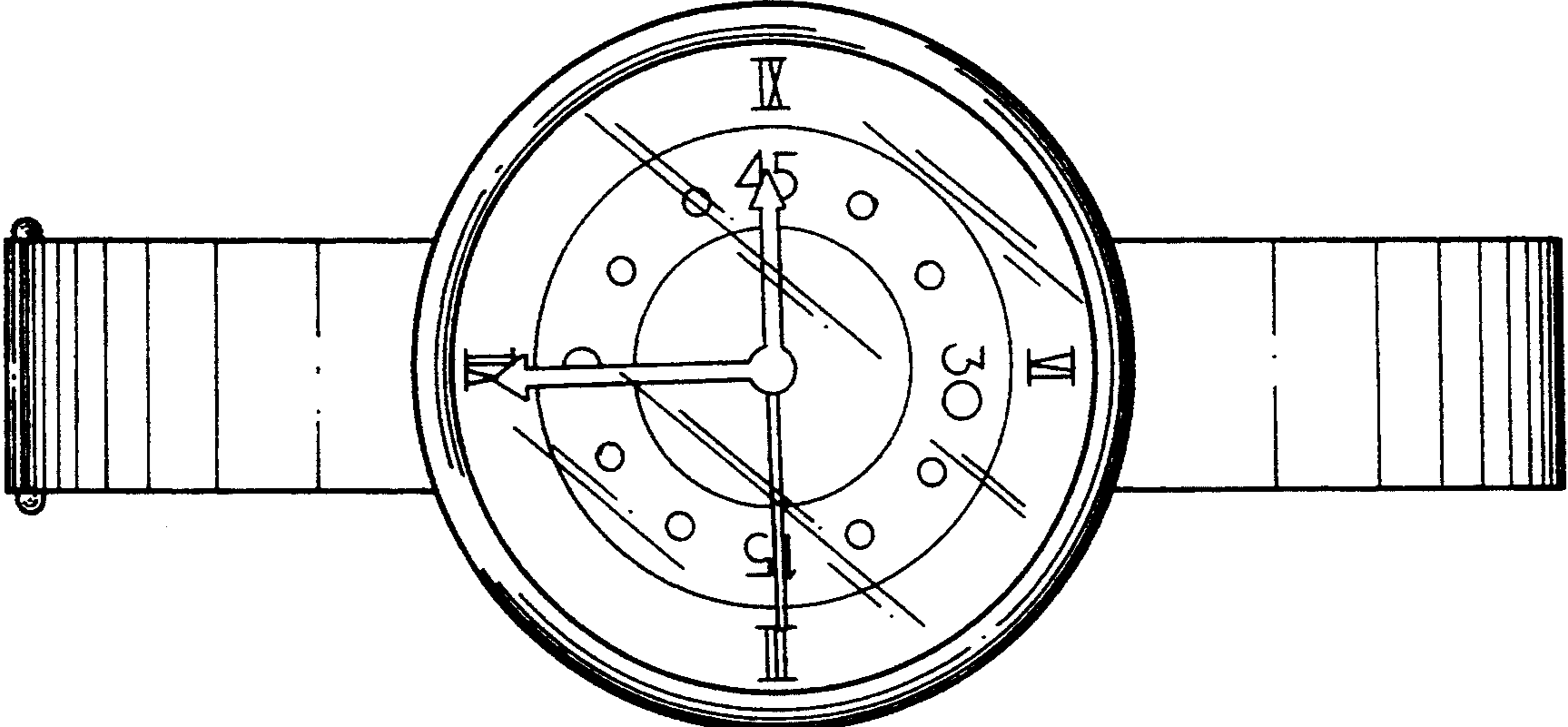


FIG. 2.



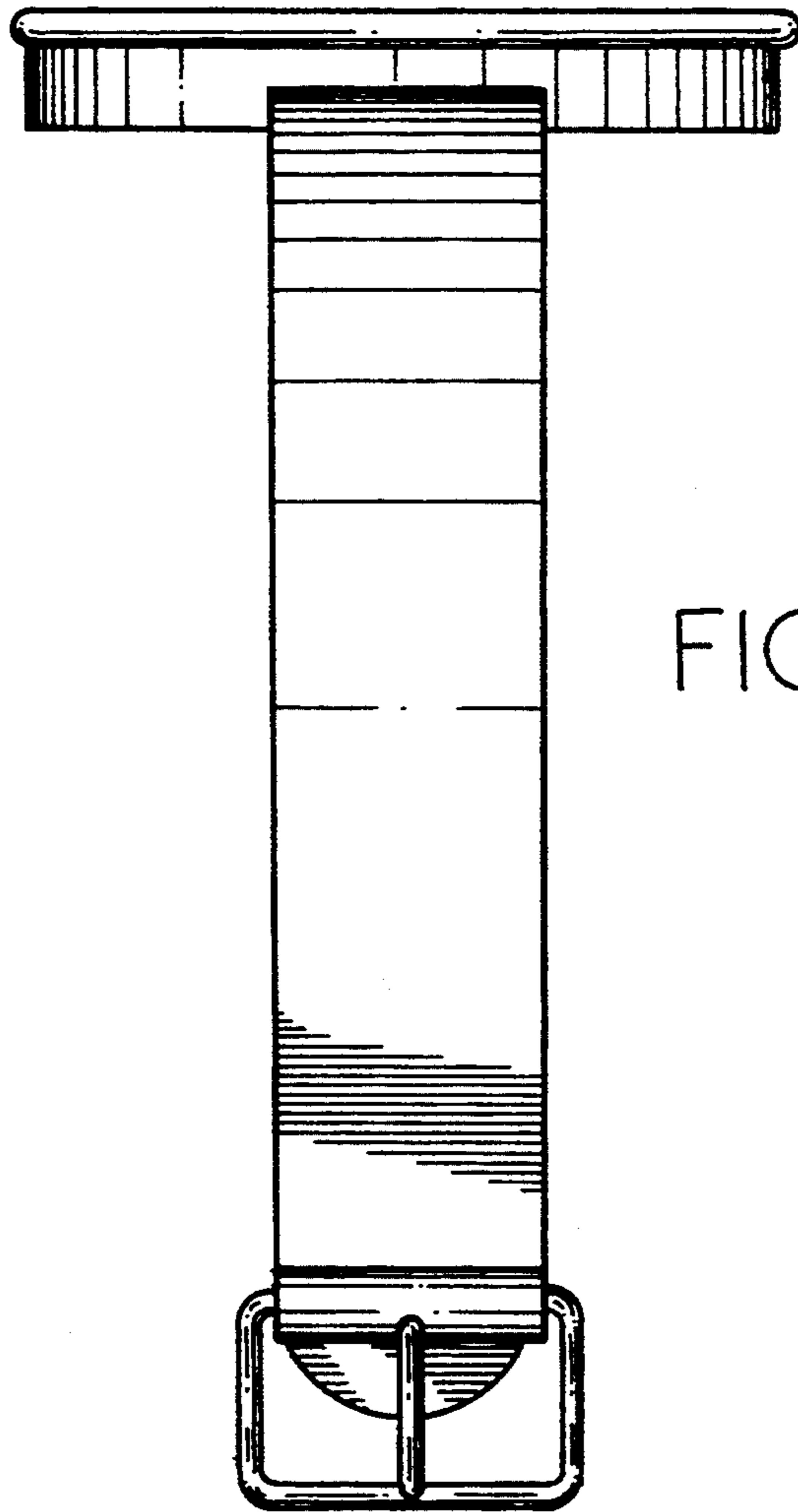


FIG. 5.

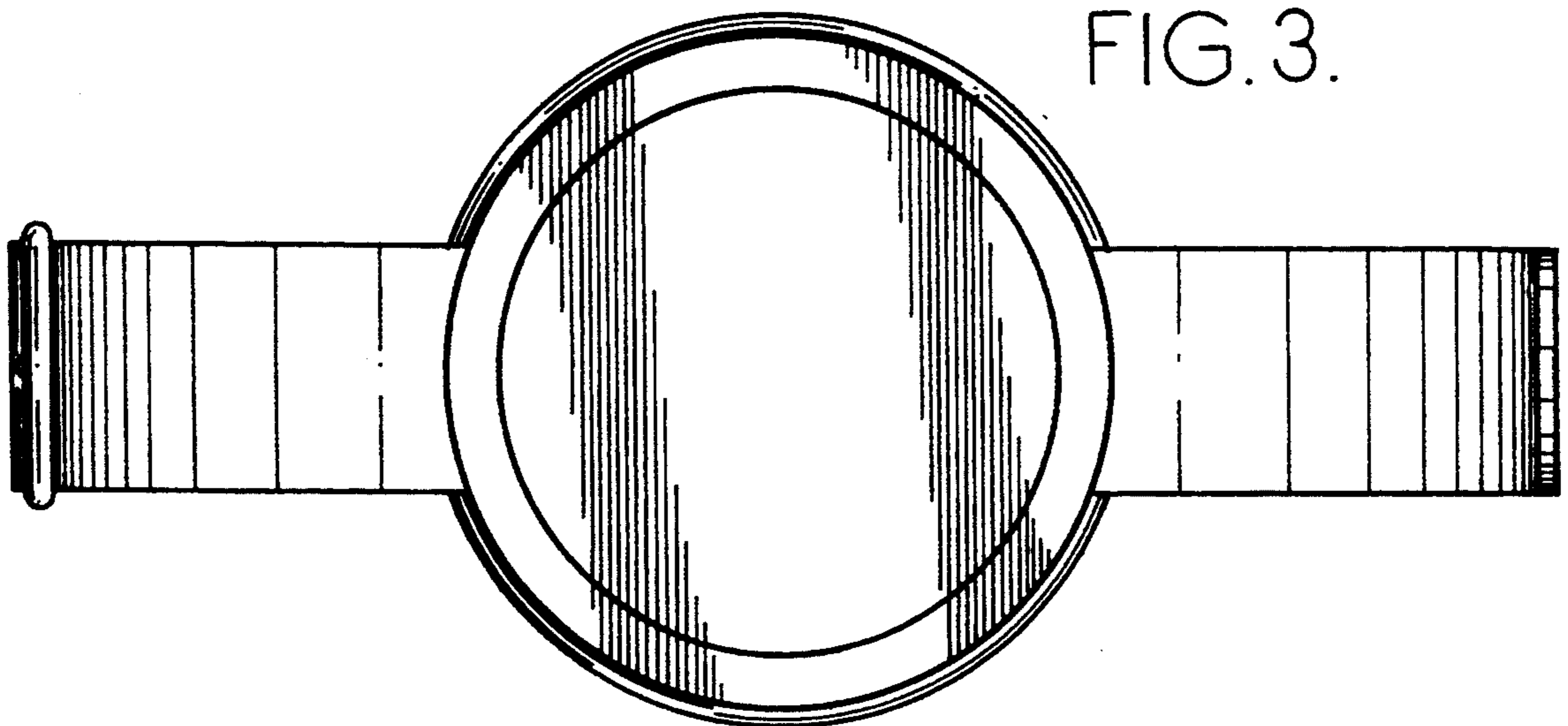


FIG. 3.

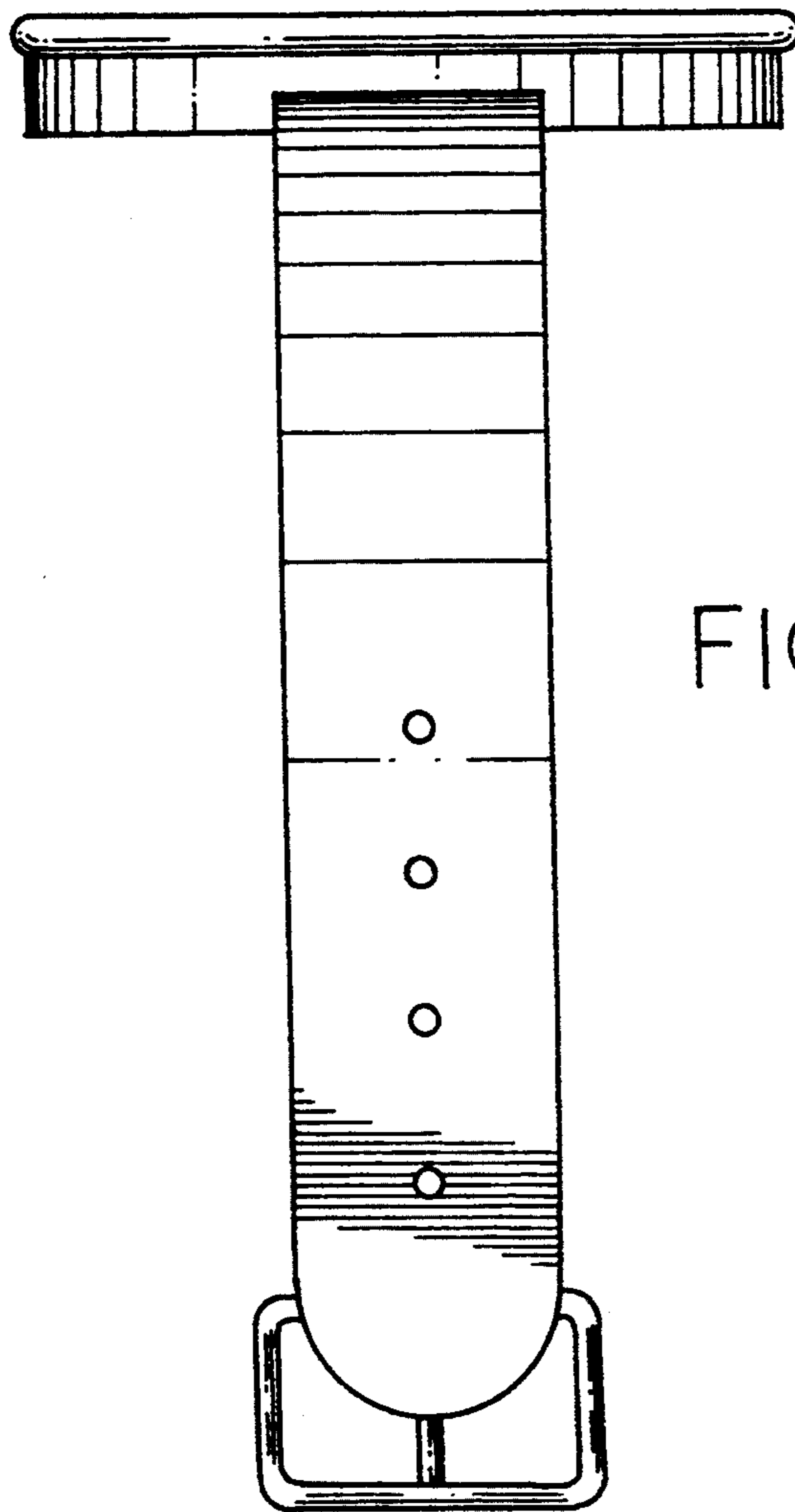


FIG. 6.