



US00D351557S

# United States Patent [19]

Noble, Jr.

[11] Patent Number: Des. 351,557

[45] Date of Patent: \*\* Oct. 18, 1994

[54] LADDER CARTON

4,662,512 5/1987 Durand ..... 206/45.31 X

[75] Inventor: Robert J. Noble, Jr., Greenville, Pa.

Primary Examiner—Prabhakar G. Deshmukh  
Attorney, Agent, or Firm—Ansel M. Schwartz

[73] Assignee: Werner Co., Greenville, Pa.

[\*\*] Term: 14 Years

[57] CLAIM

[21] Appl. No.: 7,143

The ornamental design for a ladder carton, as shown and described.

[22] Filed: Apr. 15, 1993

DESCRIPTION

[52] U.S. Cl. .... D9/418; D9/432; D9/433

FIG. 1 is a rear perspective view of a ladder carton showing my new design;

[58] Field of Search ..... D9/418, 432, 433, 346, D9/456, 414; 206/45.14, 45.31, 44 R, 45.19, 320, 321, 485, 491, 456, 521.6, 586

FIG. 2 is a top plan view thereof; shown in an unfolded condition for clarity of illustration;

FIG. 3 is a front perspective view thereof;

FIG. 4 is a top plan view thereof;

FIG. 5 is a bottom plan view thereof;

FIG. 6 is a rear elevational view thereof;

FIG. 7 is a front elevational view thereof;

FIG. 8 is a right side elevational view thereof; and,

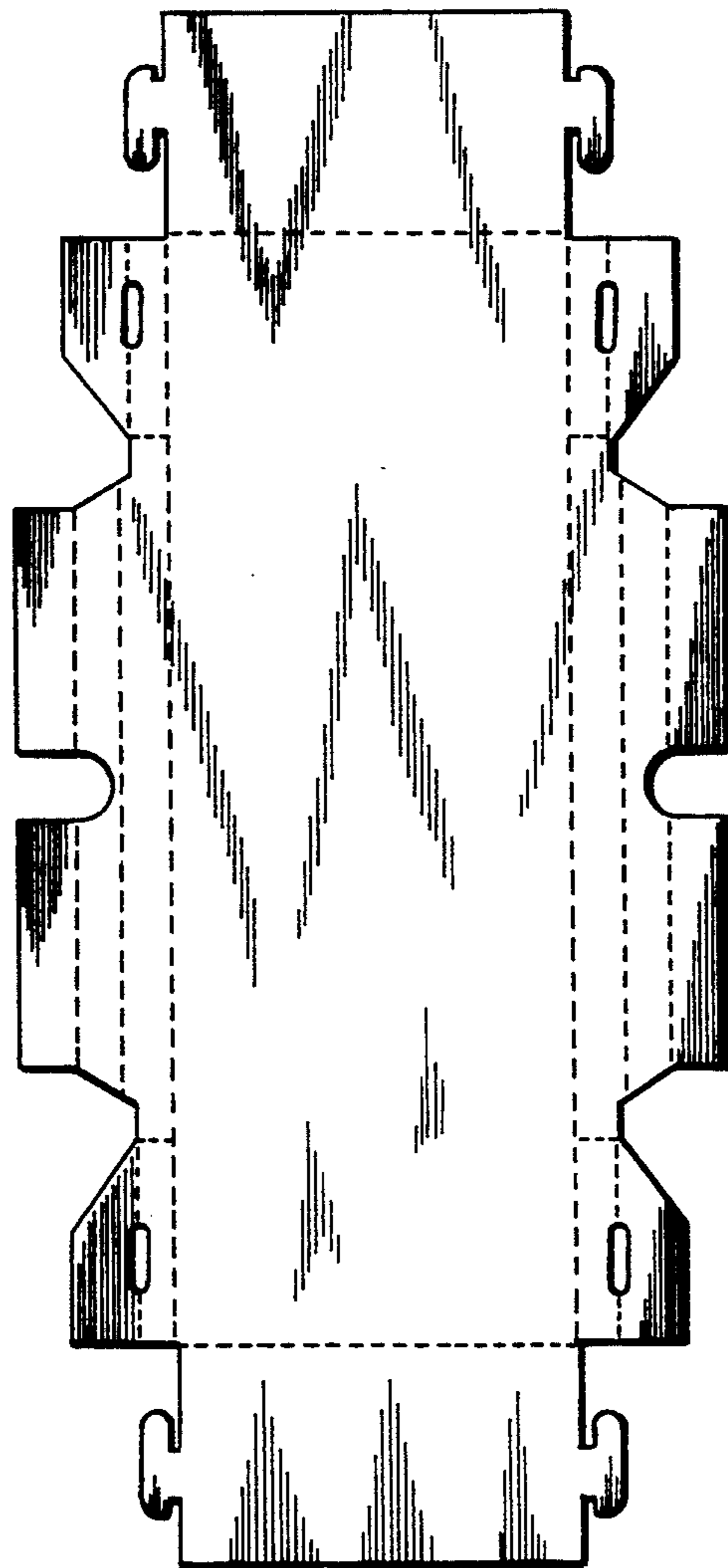
FIG. 9 is a left side elevational view thereof.

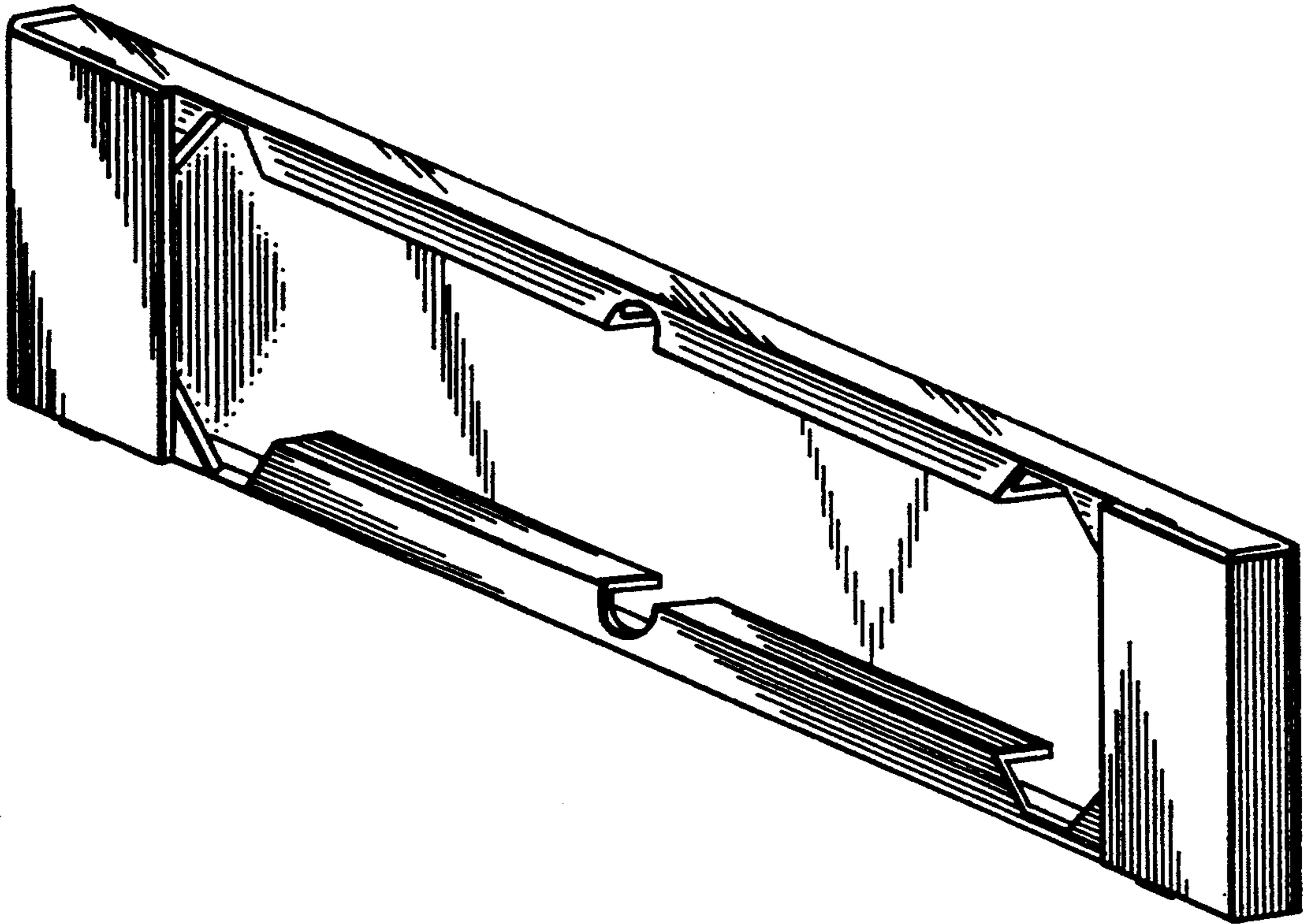
The broken line showing a ladder in FIG. 3 is for illustrative purpose only and forms no part of the claim. The broken lines in FIG. 3 represent fold lines.

[56] References Cited

U.S. PATENT DOCUMENTS

D. 244,511	5/1977	Frisbey .....	D9/432
D. 332,569	1/1993	Noble, Jr. ....	D9/418
D. 332,744	1/1993	McCooey .....	D9/418 X
2,587,828	3/1952	Fogel .....	206/45.31
3,347,357	10/1967	De Soto et al. ....	206/45.31
4,320,839	3/1982	Skaggs .....	206/45.14 X





*FIG. 1*

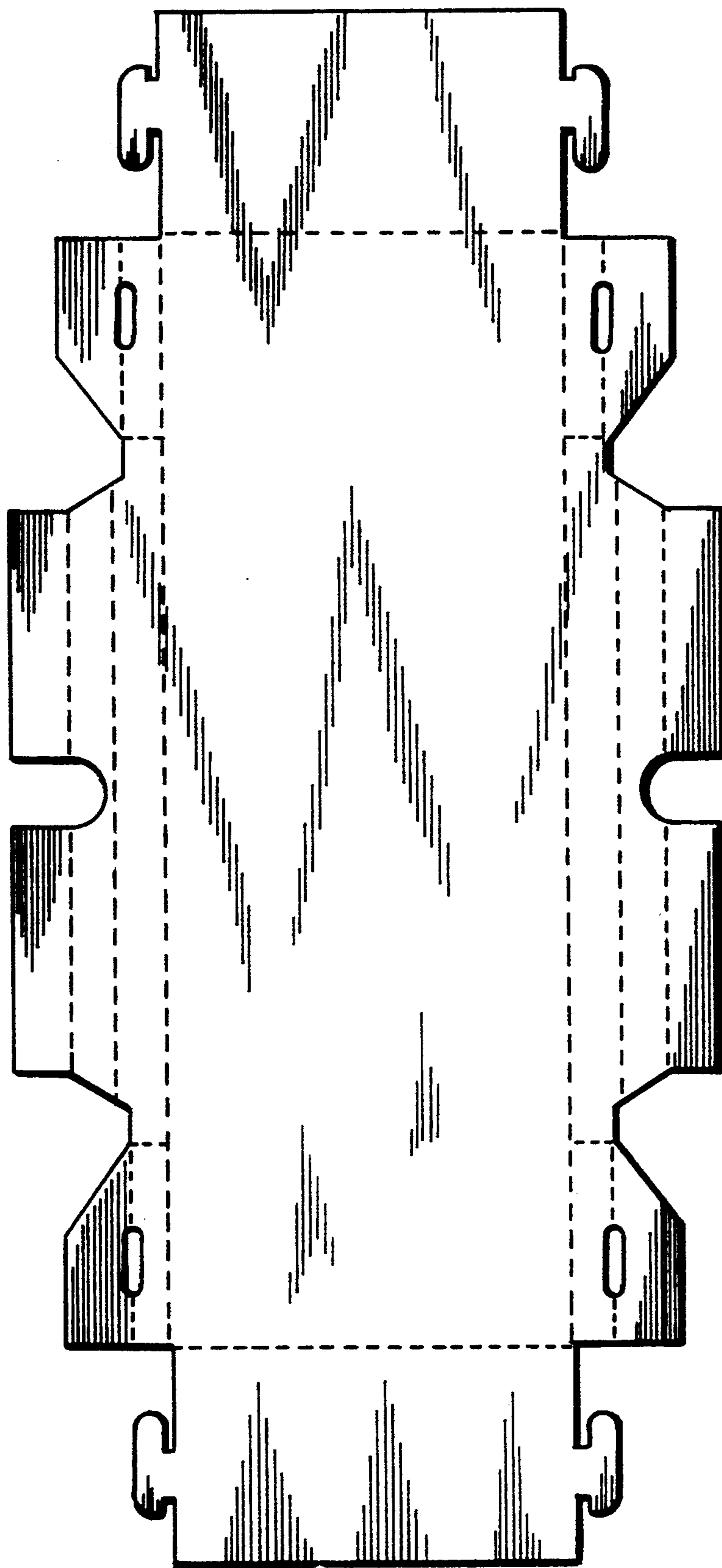
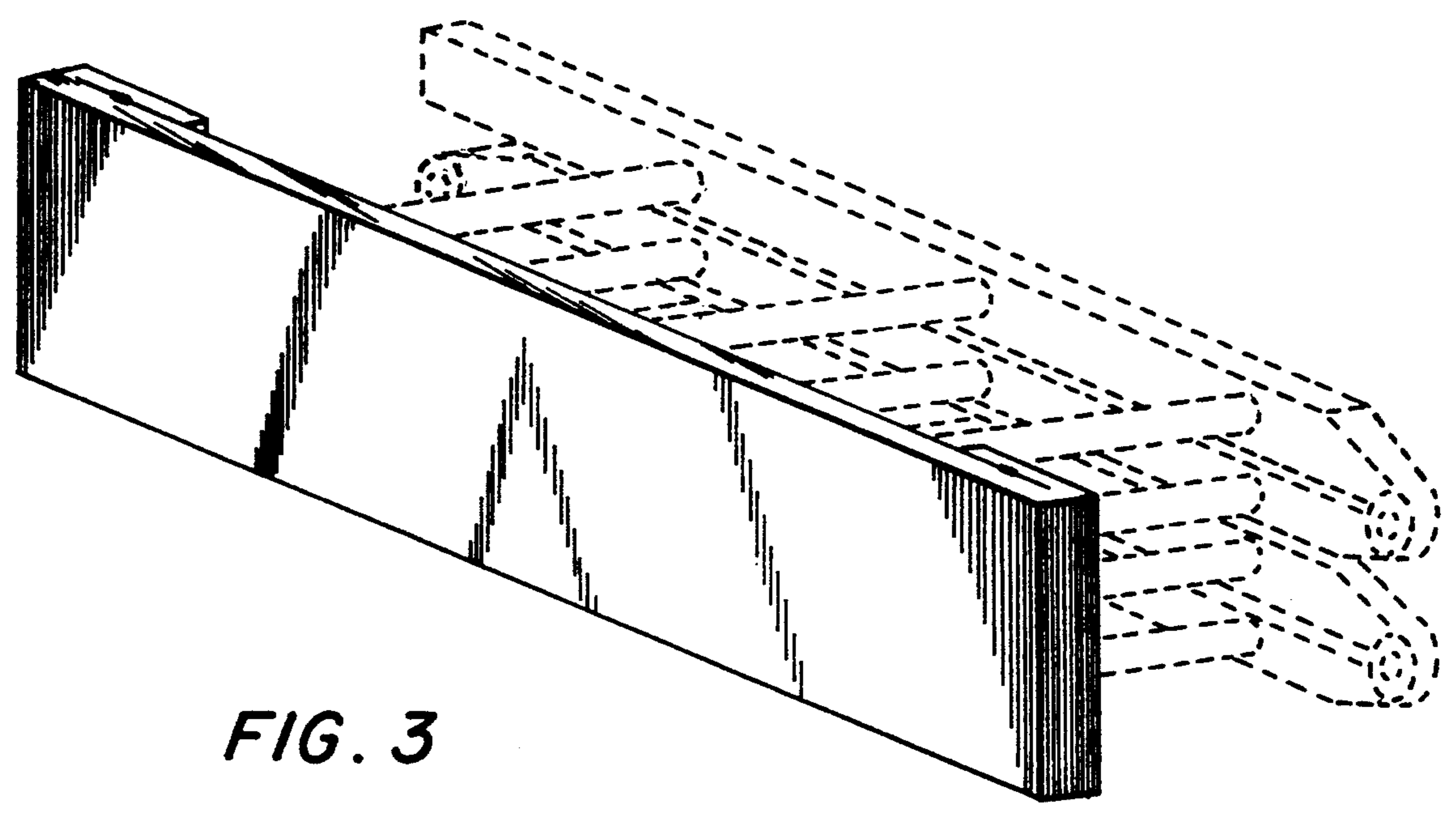


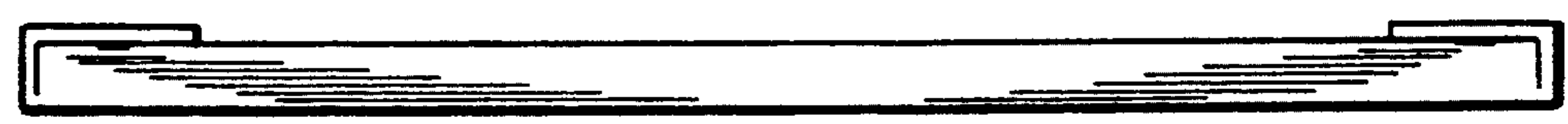
FIG. 2



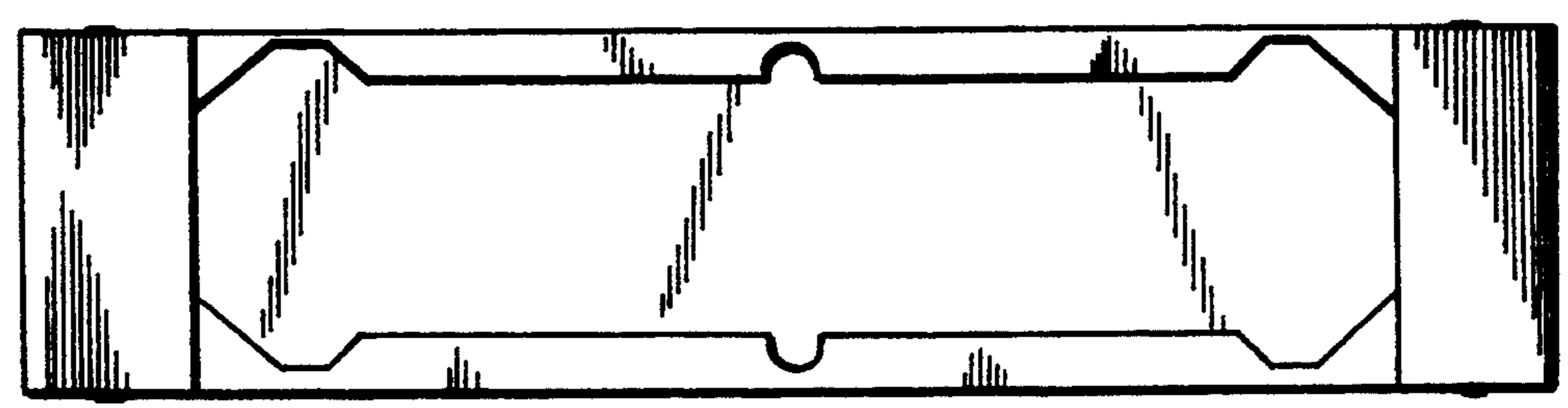
*FIG. 3*



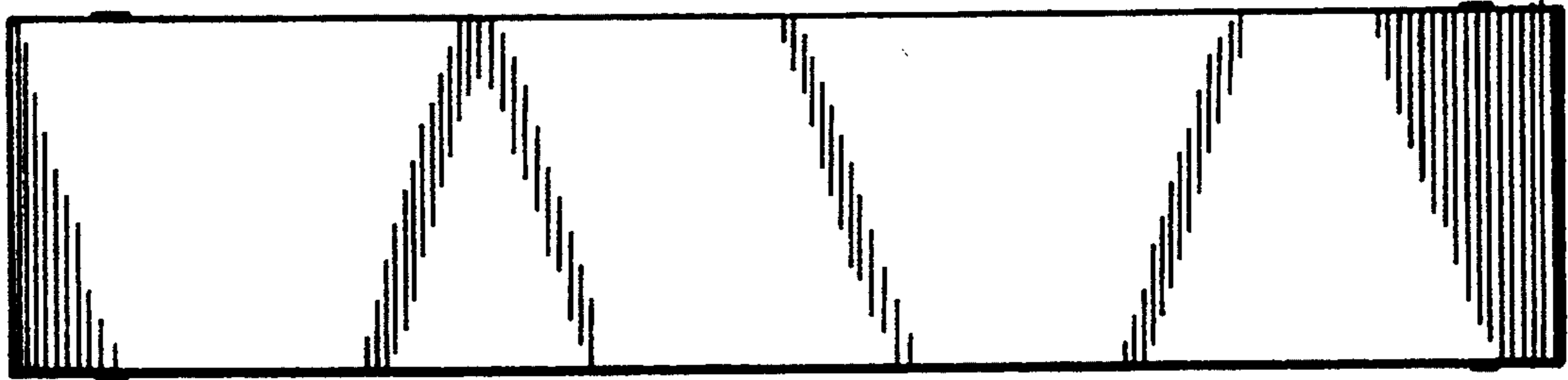
*FIG. 4*



*FIG. 5*



*FIG. 6*



*FIG. 7*



*FIG. 8*



*FIG. 9*