



US00D351554S

United States Patent [19] Kim

[11] Patent Number: **Des. 351,554**
[45] Date of Patent: **** Oct. 18, 1994**

[54] **PACKAGE FOR SAFETY RAZORS**
[75] Inventor: **Jisu Kim**, Yonkers, N.Y.
[73] Assignee: **Tritec International Corp.**, New York, N.Y.
[**] Term: **14 Years**
[21] Appl. No.: **869,155**
[22] Filed: **Apr. 14, 1992**
[52] U.S. Cl. **D9/342; D9/415; D9/416**
[58] Field of Search **D9/415, 416, 418, 346, D9/337, 339, 340, 342, 341; 206/228, 352, 354, 355-360, 806, 45.14, 476, 493, 44.12; 229/200, 237, 238, 240, 242**

4,201,294 5/1980 Roccaforte .
4,266,664 5/1981 Dixon et al. .
4,285,428 8/1981 Beddall et al. 206/354
4,322,002 3/1982 Iten .
4,341,306 7/1982 Lightsey .
4,432,452 2/1984 Kelly .
4,445,610 5/1984 Richards .
4,496,047 1/1985 Gatley .
4,694,960 9/1987 Phipps et al. 206/469
4,721,208 1/1988 Thorpe .

FOREIGN PATENT DOCUMENTS

1029268 8/1963 United Kingdom .
1028610 3/1965 United Kingdom .
1327840 8/1973 United Kingdom .

Primary Examiner—Prabhakar G. Deshmukh
Attorney, Agent, or Firm—Peter G. Dilworth; Rocco S. Barrese; Joseph J. Catanzaro

[56] References Cited

U.S. PATENT DOCUMENTS

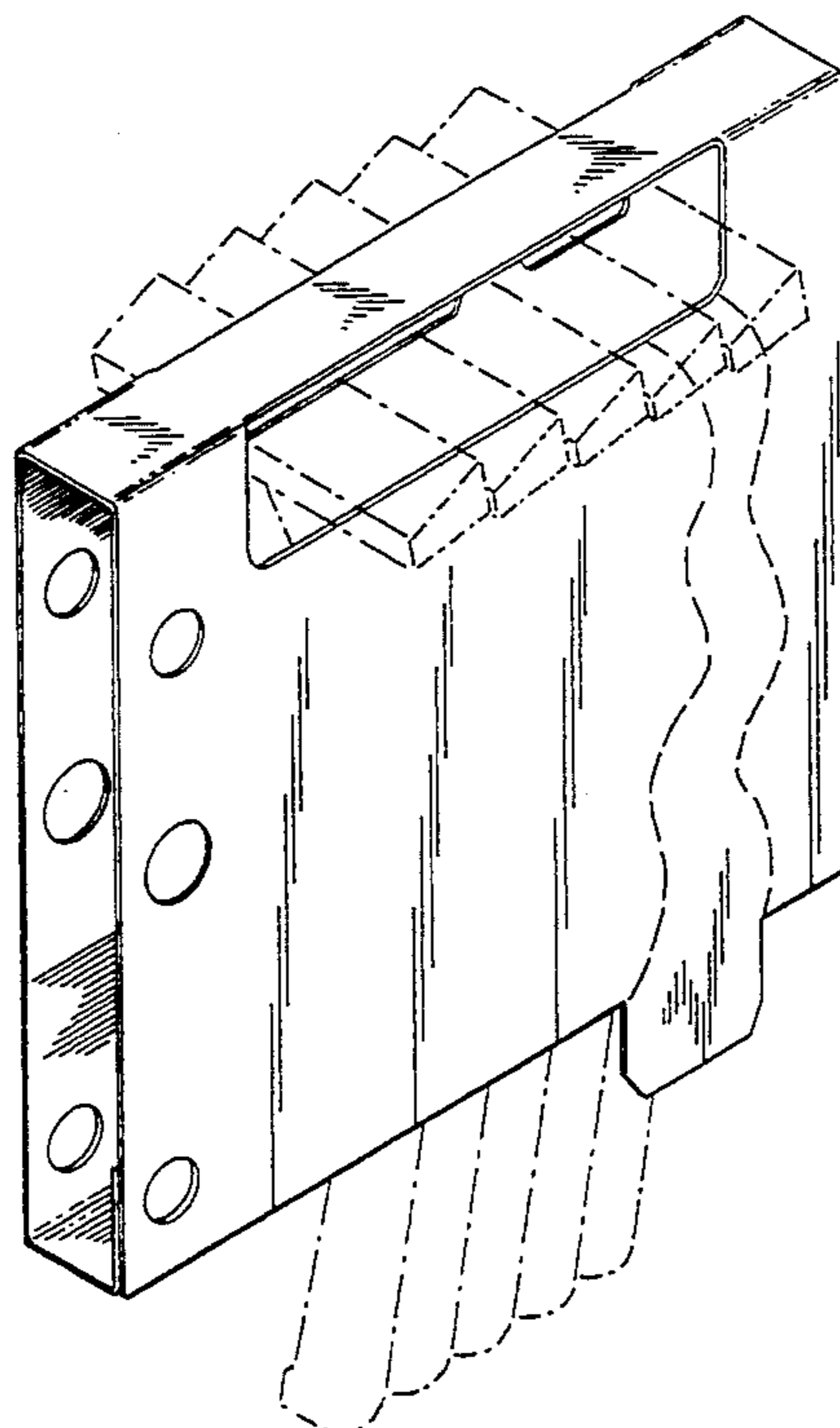
D. 233,135 10/1974 Combs, Jr. et al. D9/346
D. 272,803 2/1984 Richards .
D. 276,793 12/1984 Richards .
D. 276,893 12/1984 Richards .
D. 282,242 1/1986 Thorpe .
D. 283,593 4/1986 Hofer D9/416 X
942,483 12/1909 Clark .
1,192,859 8/1916 Canfield .
1,860,324 5/1932 Einson .
1,956,642 5/1934 Einson .
2,229,427 1/1941 Tanner .
2,798,594 7/1957 Dillon 206/354
3,207,303 9/1965 Breedveld .
3,515,334 6/1970 Jacobson 229/200
3,735,860 5/1973 Nissen et al. .
3,884,350 5/1975 Johansson .
4,140,244 2/1979 Clabby .
4,153,162 5/1979 Samsing .

[57] CLAIM

The ornamental design for a package for safety razors, as shown and described.

DESCRIPTION

FIG. 1 is a front perspective of a package for safety razors showing my new design;
FIG. 2 is a right side elevational view thereof;
FIG. 3 is a left side elevational view thereof;
FIG. 4 is a front elevational view thereof;
FIG. 5 is a rear elevational view thereof;
FIG. 6 is a top plan view thereof;
FIG. 7 is a bottom plan view thereof; and,
FIG. 8 is a plan view thereof, shown in an unassembled condition.
The broken line showing of safety razors is for illustrative purposes only and forms no part of the claim.



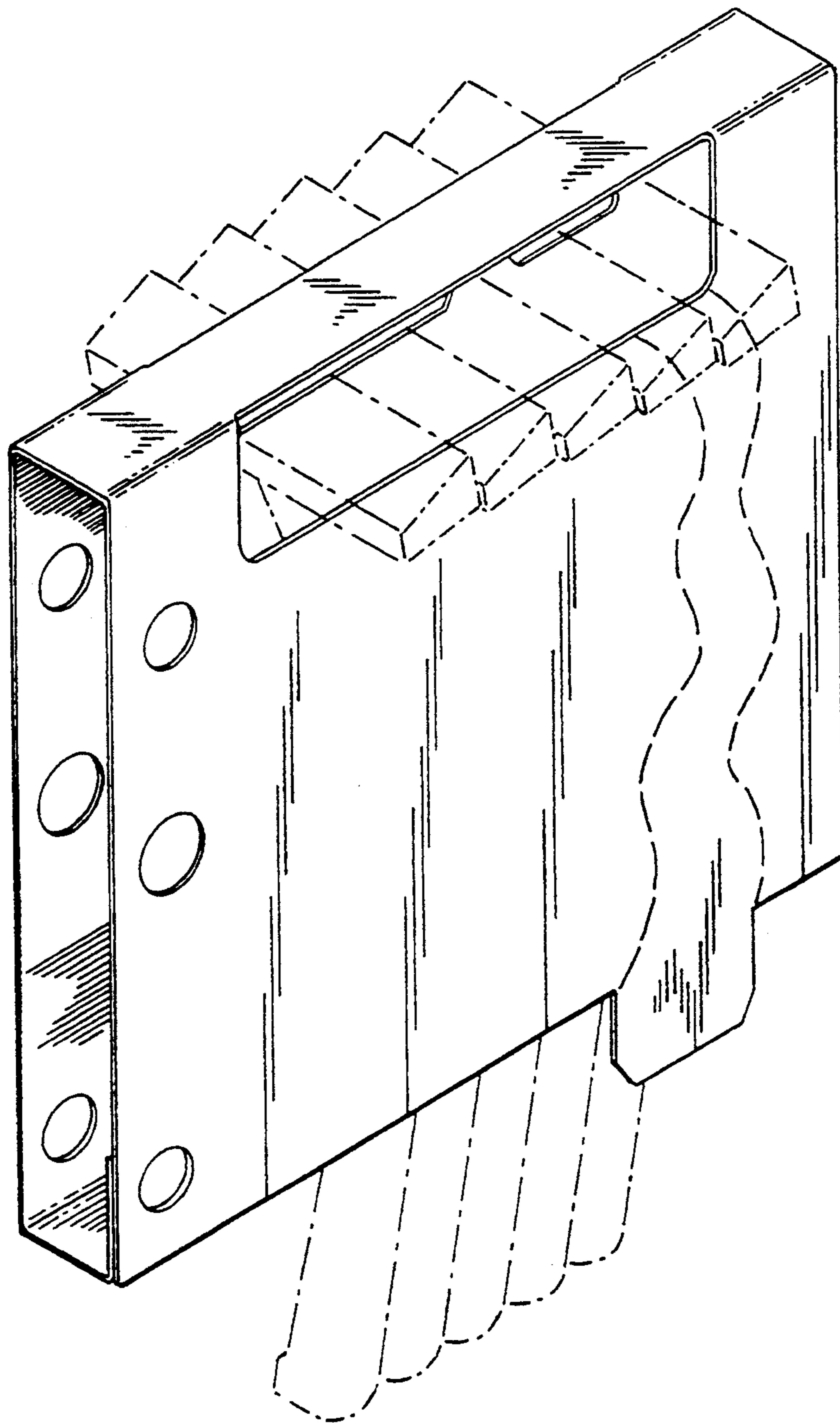


FIG. 1

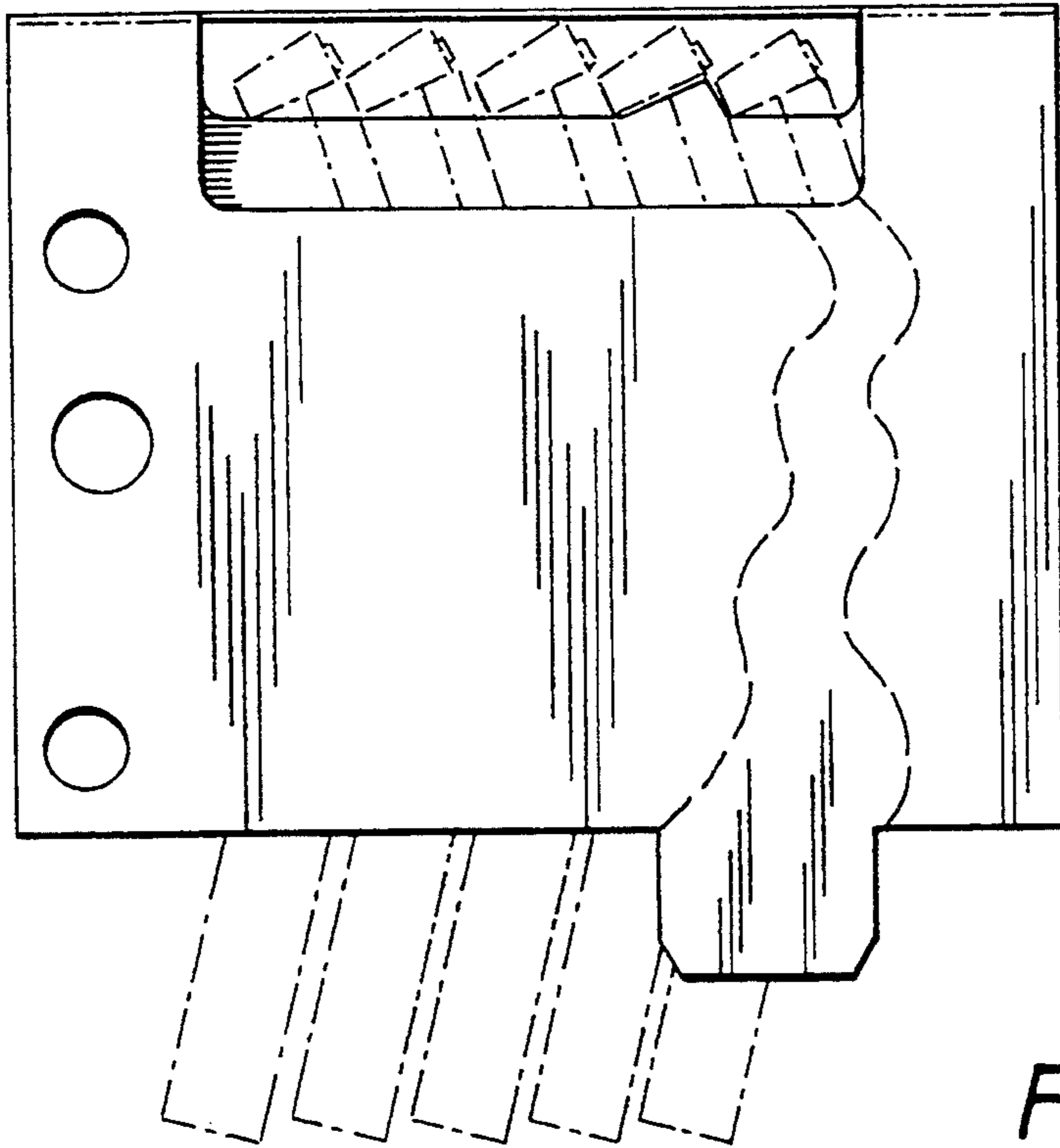


FIG. 2

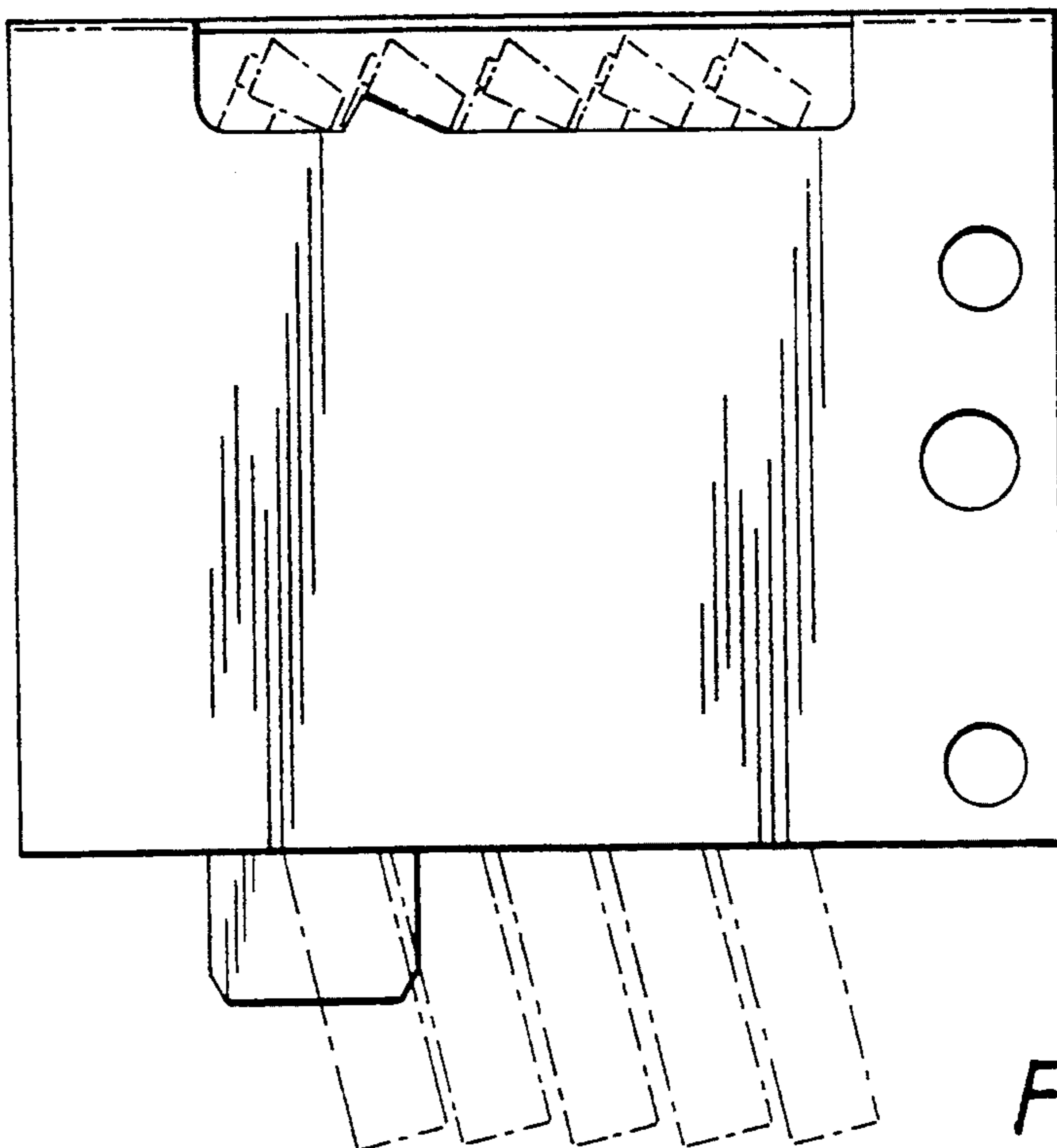


FIG. 3

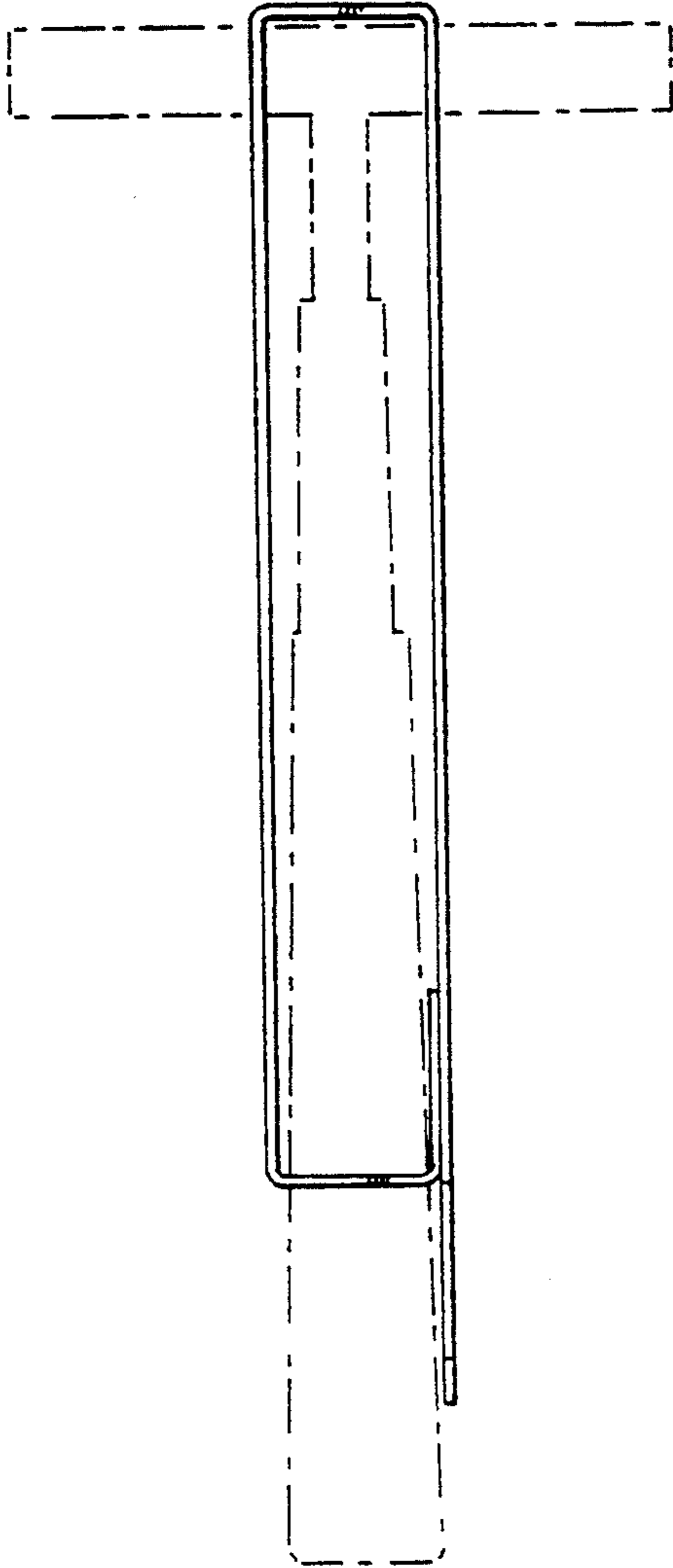


FIG. 4

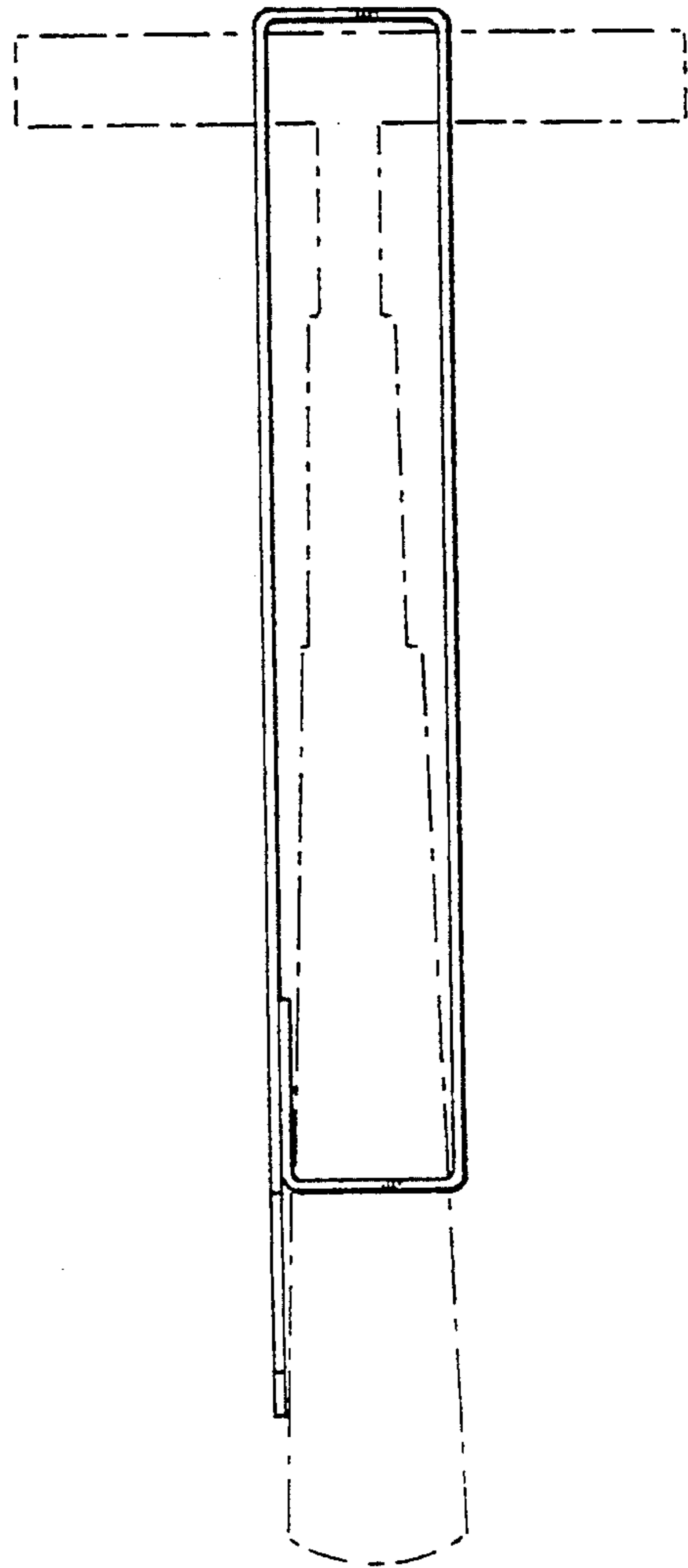


FIG. 5

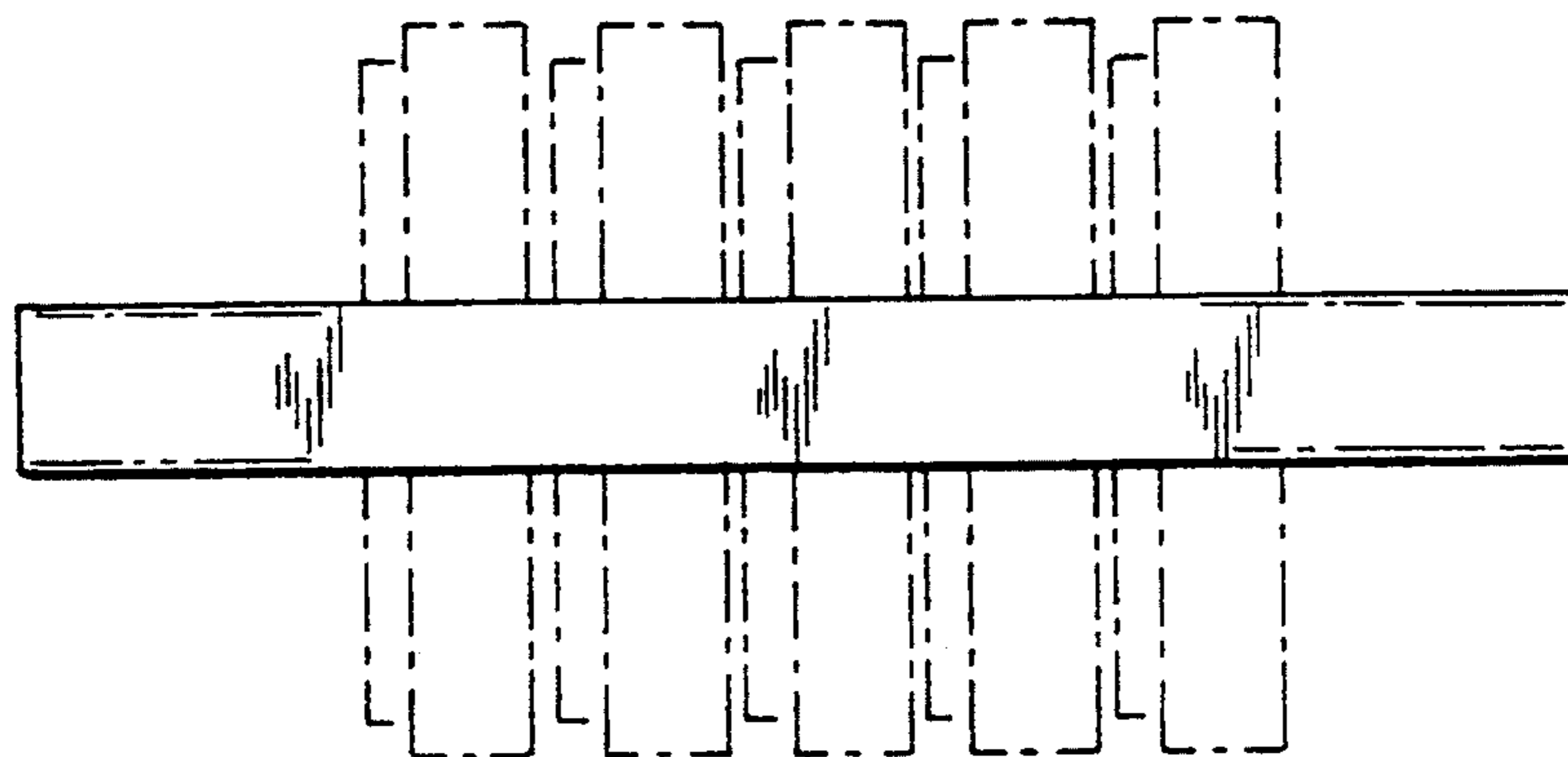


FIG. 6

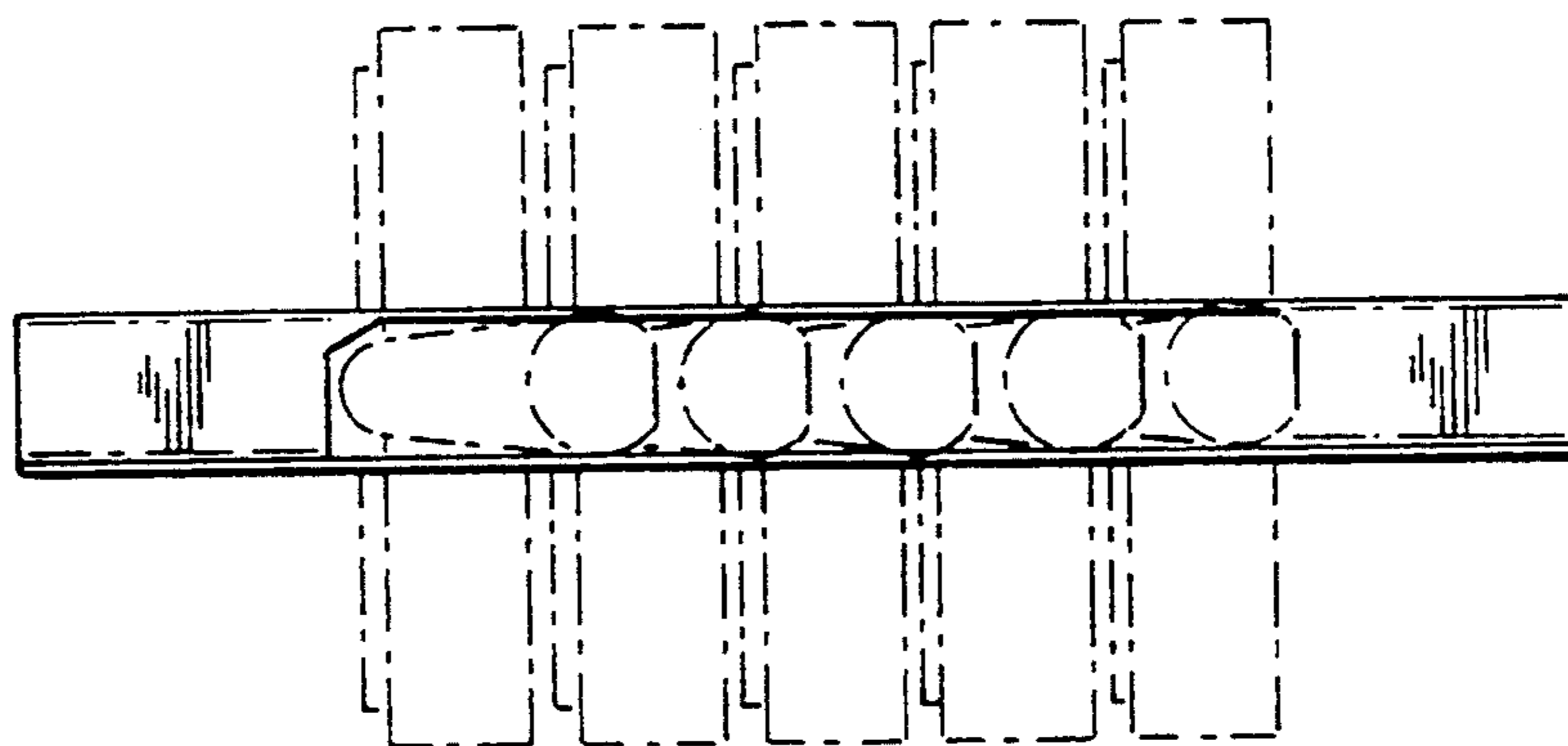


FIG. 7

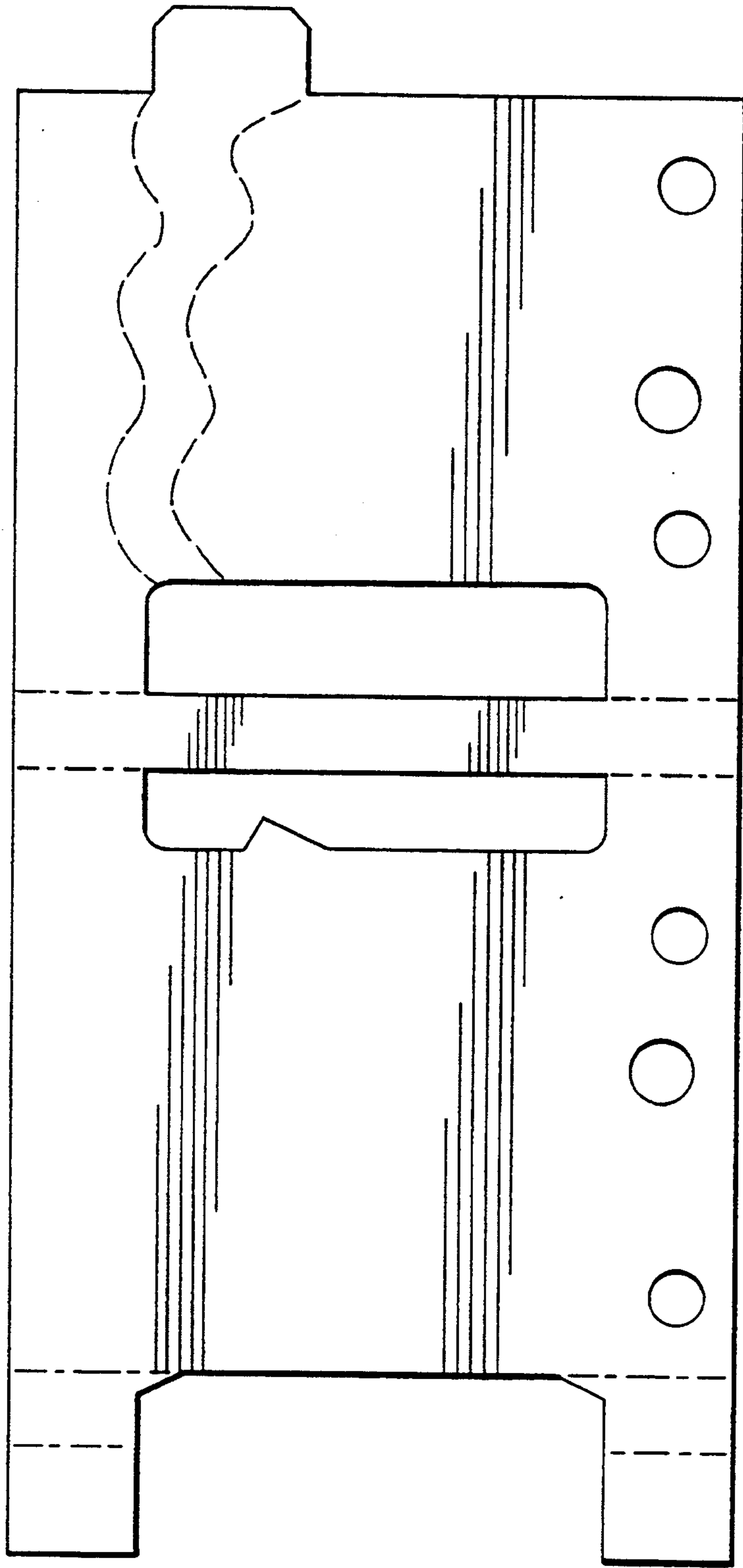


FIG. 8