



US00D351552S

United States Patent [19]

Williams

[11] Patent Number: Des. 351,552

[45] Date of Patent: ** Oct. 18, 1994

[54] FAIRLEAD

3,795,218 3/1974 Merry 114/218

[75] Inventor: Neil M. Williams, Sandringham, Australia

[73] Assignee: Ronstan 2000 Pty. Ltd., Sandringham, Australia

[**] Term: 14 Years

[21] Appl. No.: 2,058

[22] Filed: Dec. 1, 1992

[52] U.S. Cl. D8/356

[58] Field of Search D8/356; 16/2; 248/56; 114/218, 220; D22/143

[56] References Cited

U.S. PATENT DOCUMENTS

D. 52,110	6/1918	Baxter	D8/356
D. 298,645	11/1988	Miyata et al.	D8/356 X
D. 323,103	1/1992	Hilmersson et al.	D8/356
3,747,554	7/1973	Allen	114/218
3,765,061	10/1973	Nash	114/218 X

OTHER PUBLICATIONS

Servo Catalog (2 page) (undated).
Defender Industries Catalog (1992).

Primary Examiner—Wallace R. Burke
Assistant Examiner—H. Baynham
Attorney, Agent, or Firm—Oliff & Berridge

[57] CLAIM

The ornamental design for a fairlead, as shown and described.

DESCRIPTION

FIG. 1 is a front elevational view of a fairlead showing my new design;

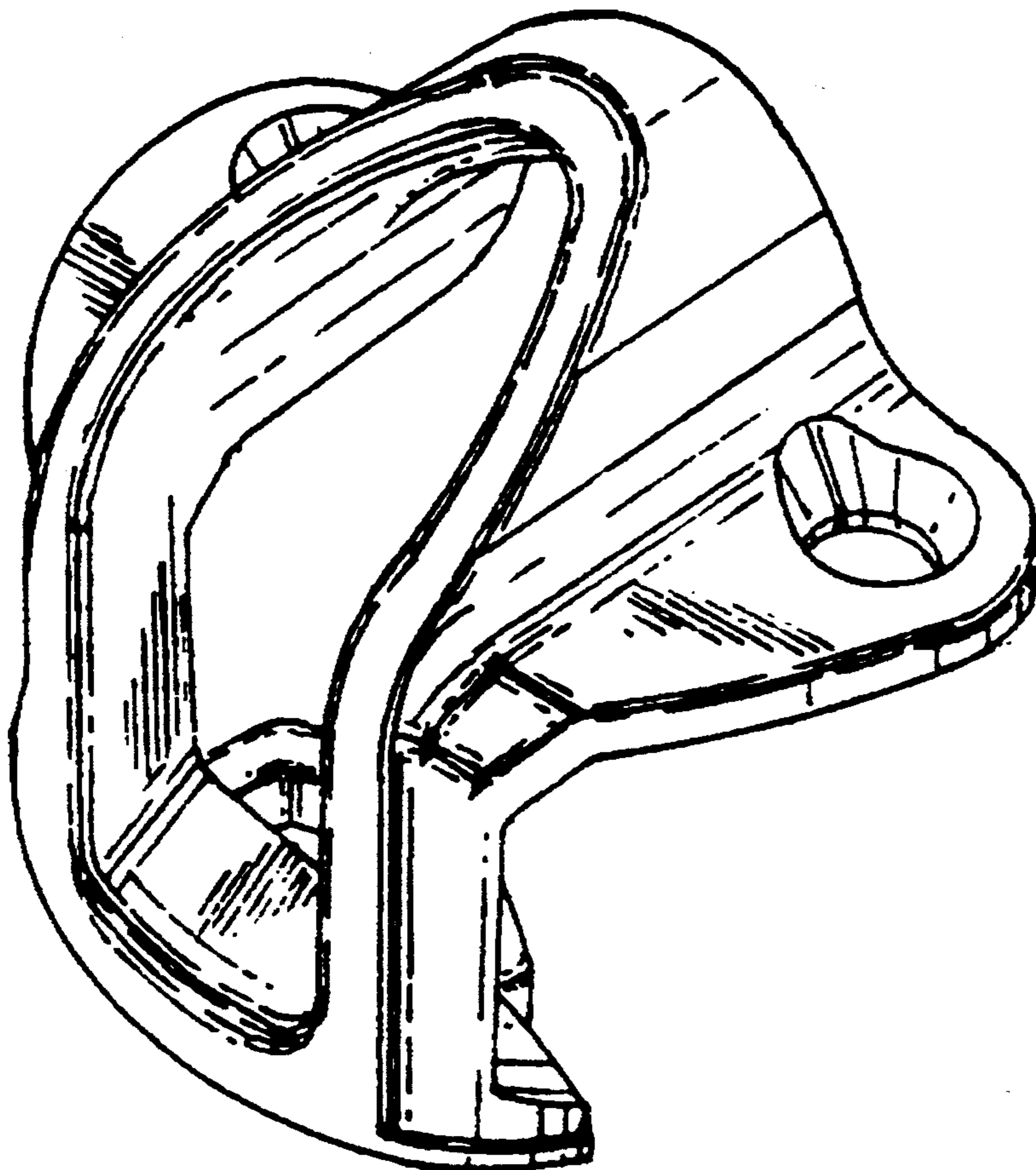
FIG. 2 is a rear elevational view thereof;

FIG. 3 is a top plan view thereof;

FIG. 4 is a bottom plan view thereof;

FIG. 5 is a side elevational view thereof with the opposite side being a mirror image thereof; and,

FIG. 6 is a perspective view thereof.



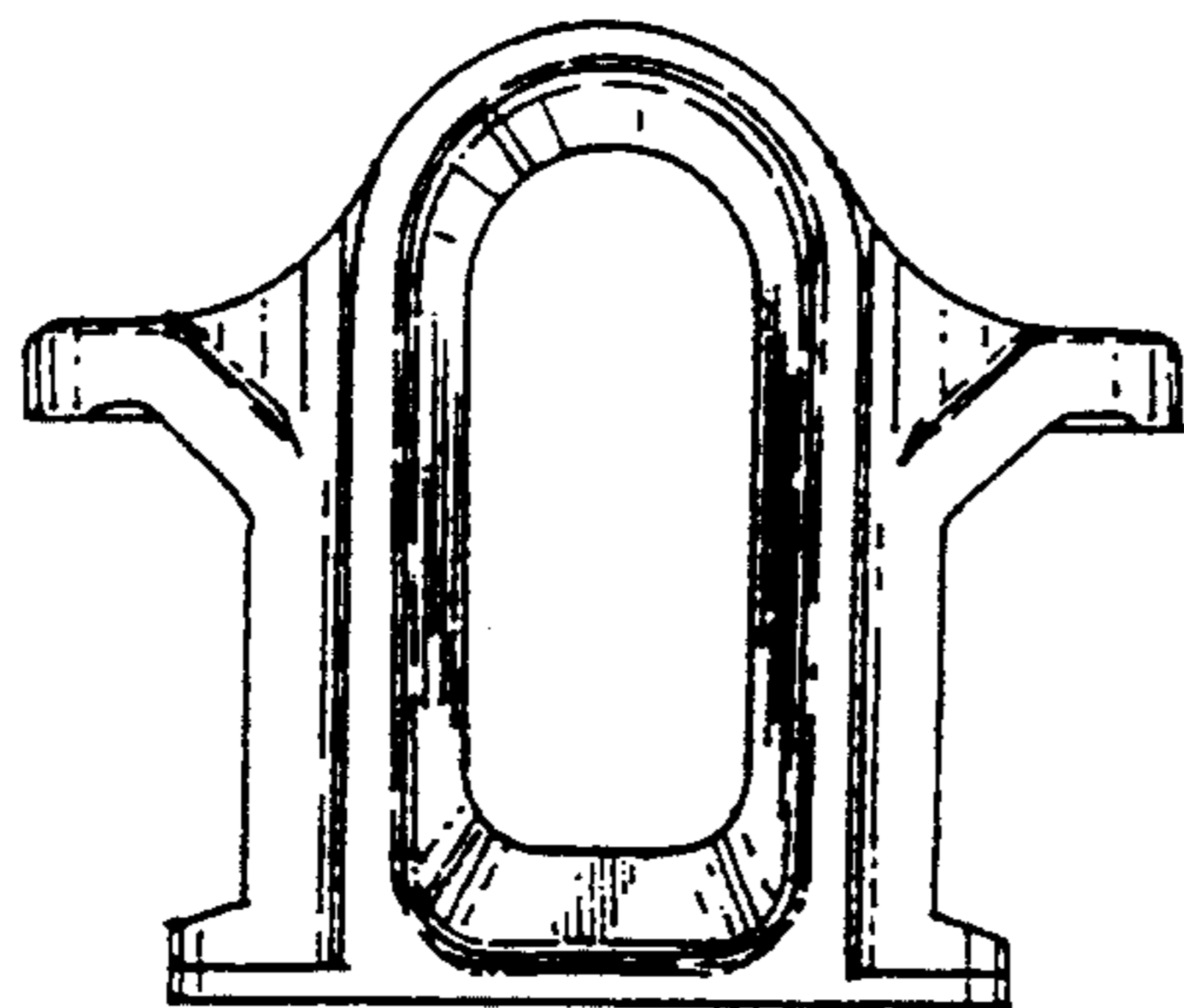


FIG 1

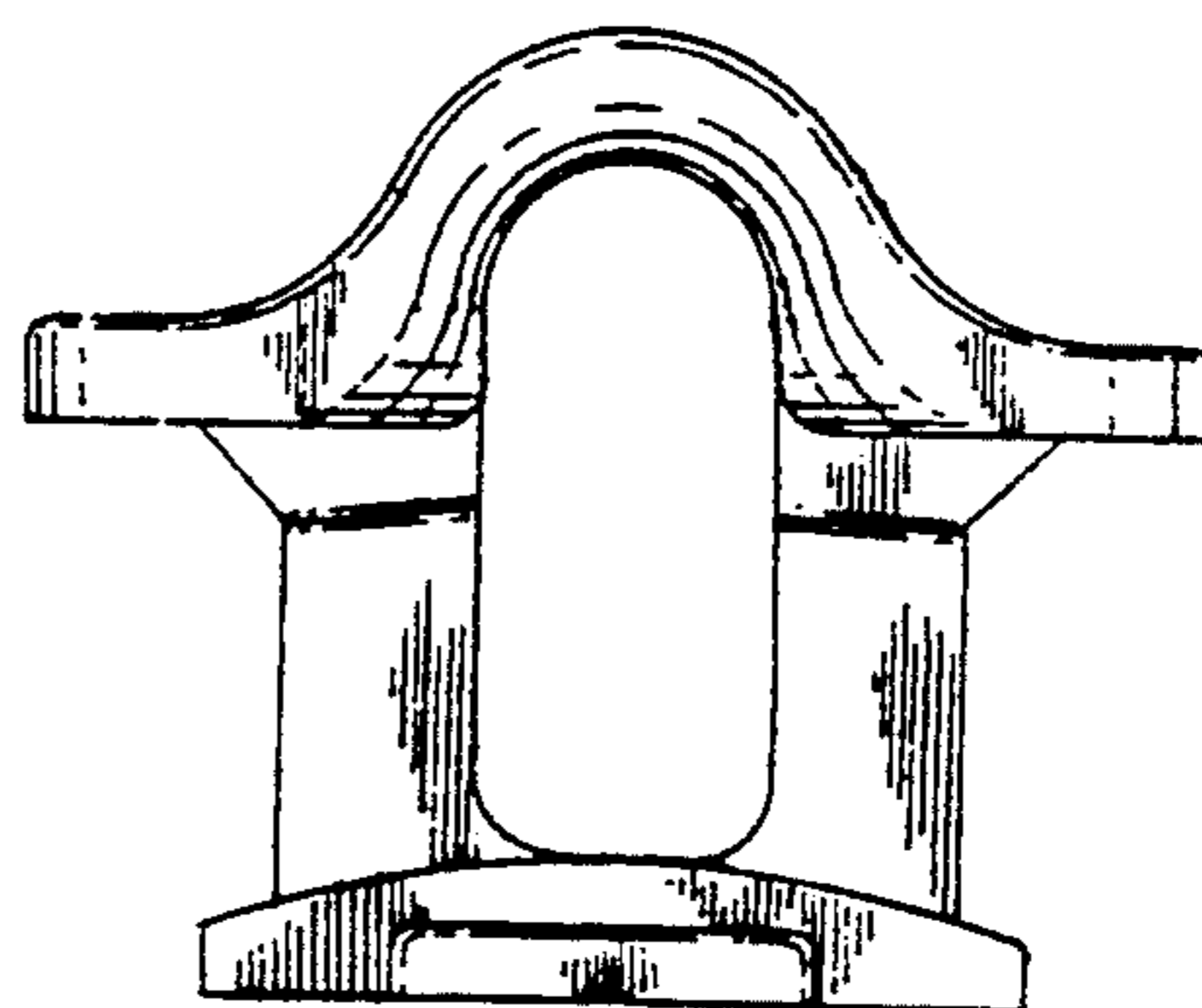


FIG 2

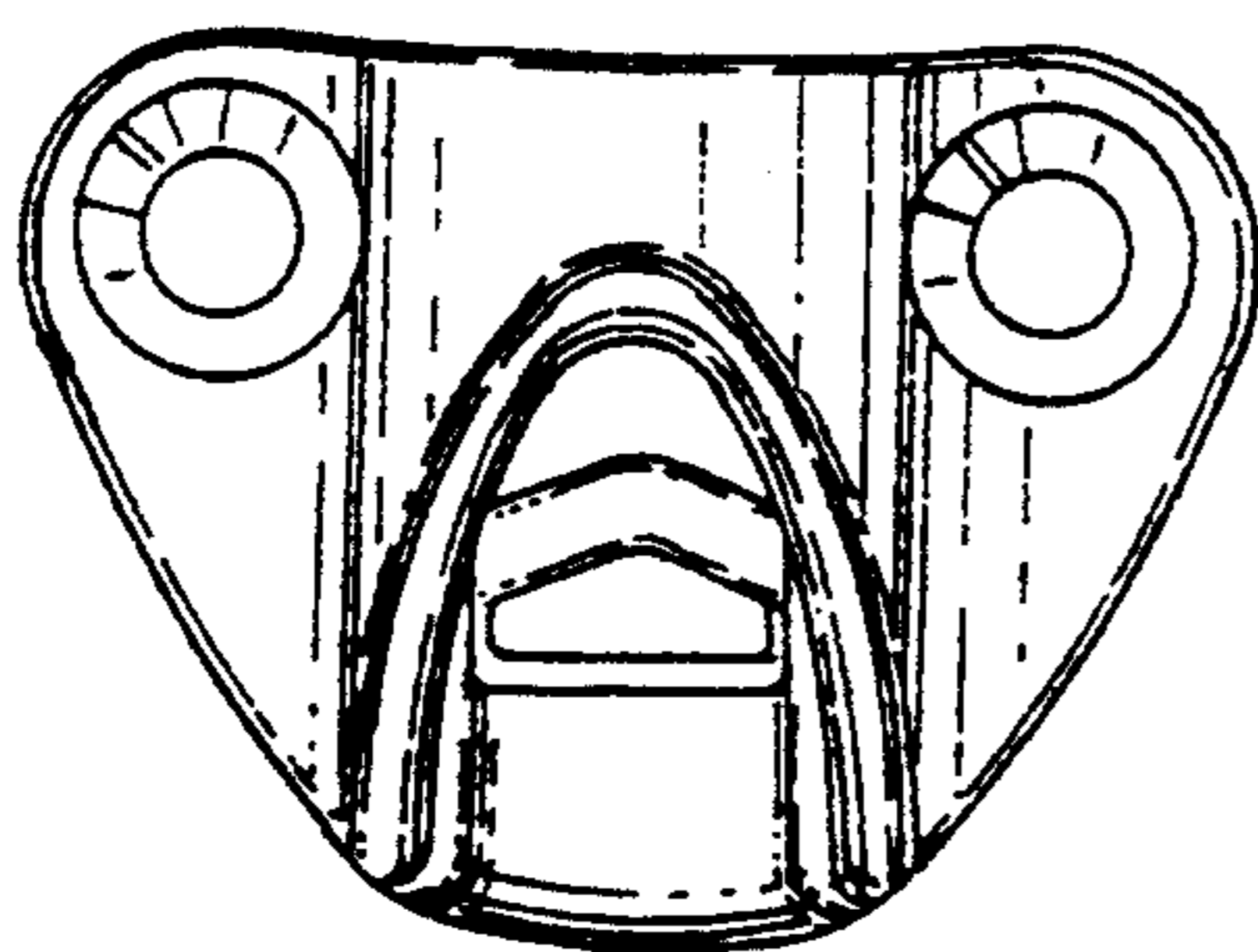


FIG 3

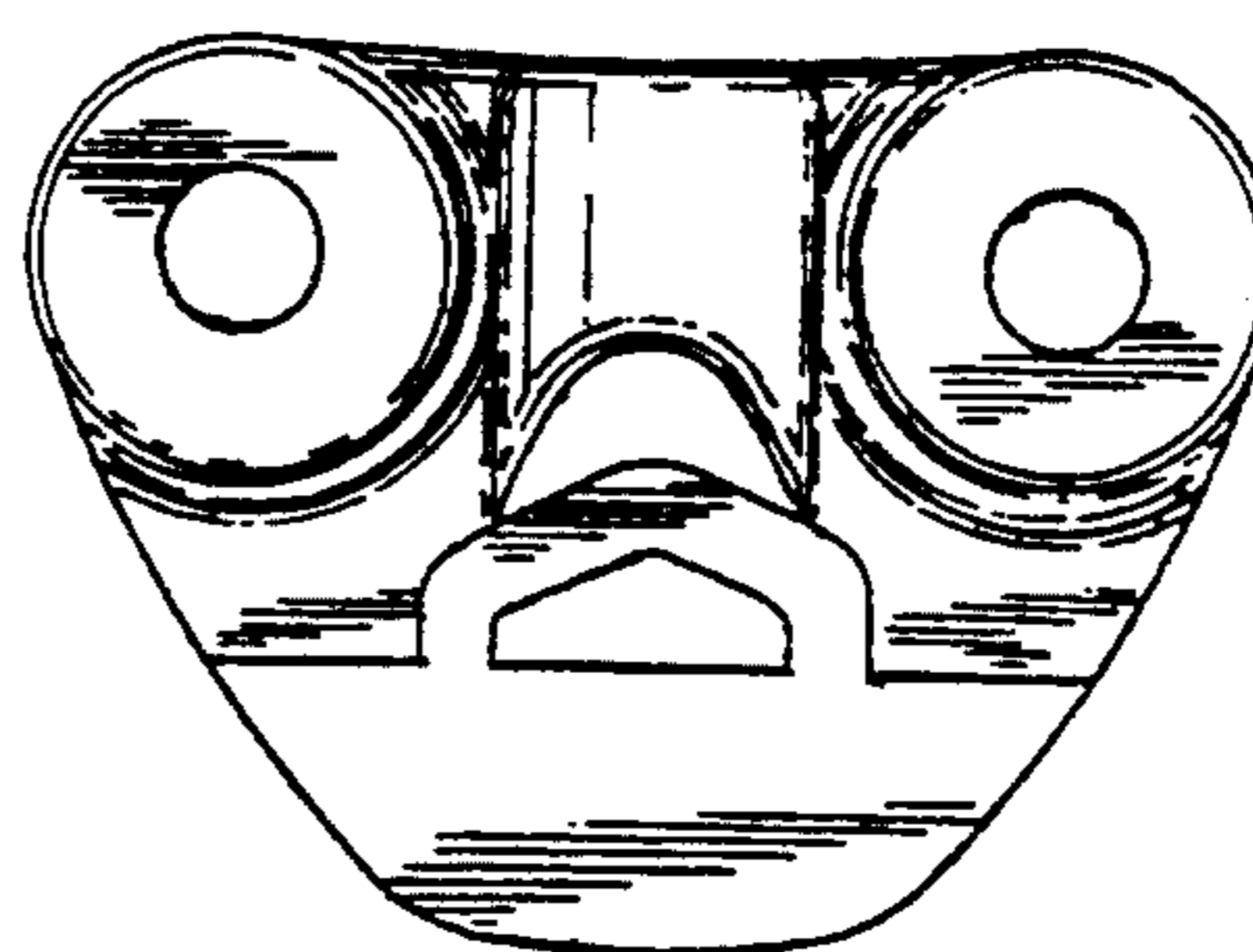


FIG 4

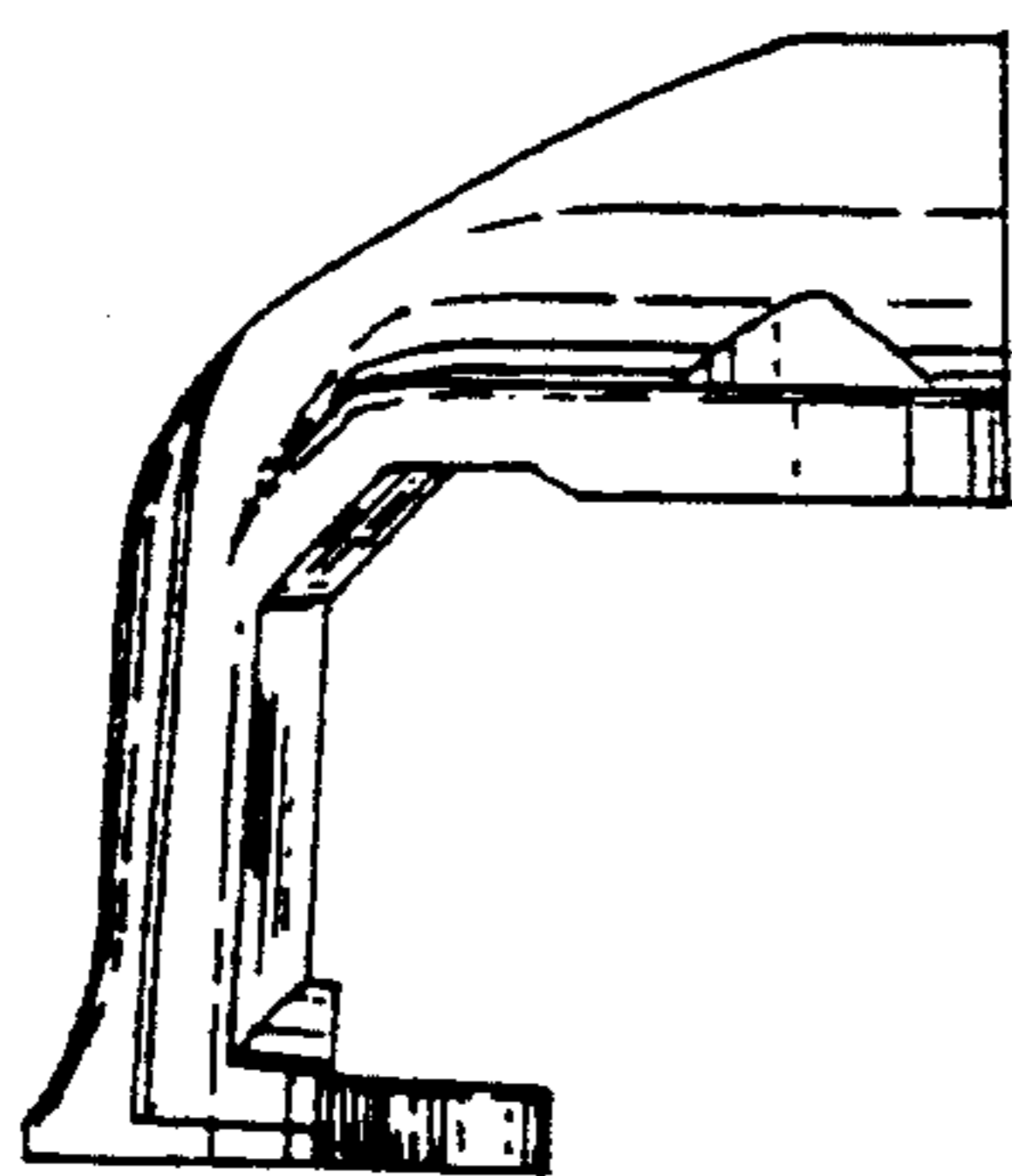


FIG 5

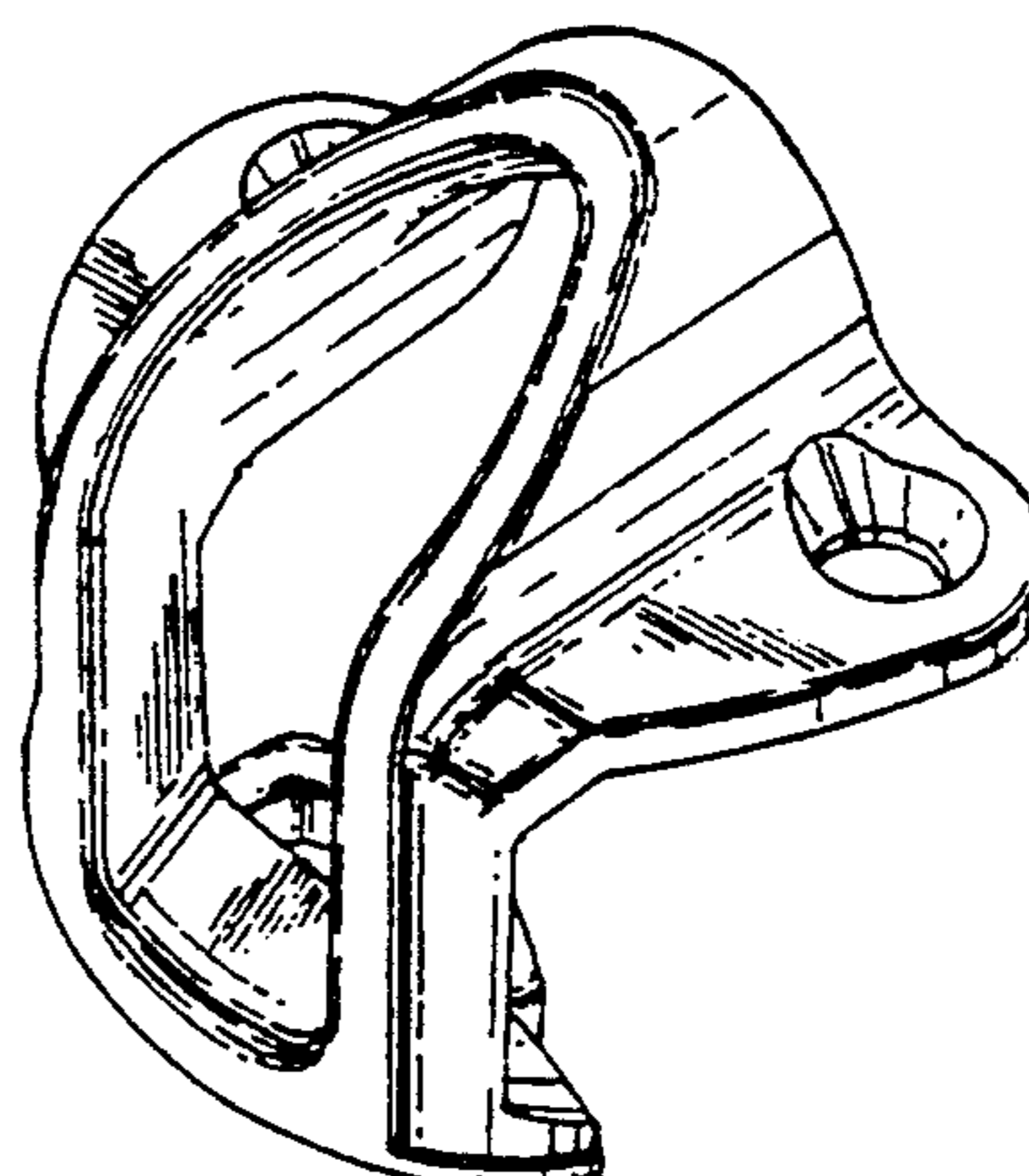


FIG 6