



US00D351545S

# United States Patent [19]

Izumisawa

[11] Patent Number: Des. 351,545

[45] Date of Patent: \*\* Oct. 18, 1994

[54] BELT SANDER

[75] Inventor: Nobuyuki Izumisawa, Tokyo, Japan

[73] Assignee: Shinano, Inc., Japan

[\*\*] Term: 14 Years

[21] Appl. No.: 12,853

[22] Filed: Sep. 10, 1993

[52] U.S. Cl. .... D8/62

[58] Field of Search ..... D8/61, 62; 173/170; 51/170, 170 R, 170 TL, 170 PT, 170 EB, 170 MT

### OTHER PUBLICATIONS

Sunex Automotive Tool & Equipment Catalogue, p. 21, 1990-91.

*Dynabrade*™ Dynafile, p. 2, (1988).

*Dynabrade*™ Dynabelter® (1989).

*Primary Examiner*—Alan P. Douglas

*Assistant Examiner*—Jeffrey H. Musgrove

*Attorney, Agent, or Firm*—Greer, Burns & Crain, Ltd.

[57] CLAIM

The ornamental design for a belt sander, as shown and described.

### DESCRIPTION

FIG. 1 is perspective view of the belt sander showing my new design;

FIG. 2 is a left side view thereof;

FIG. 3 is a right side view thereof;

FIG. 4 is a top view thereof;

FIG. 5 is a bottom view thereof;

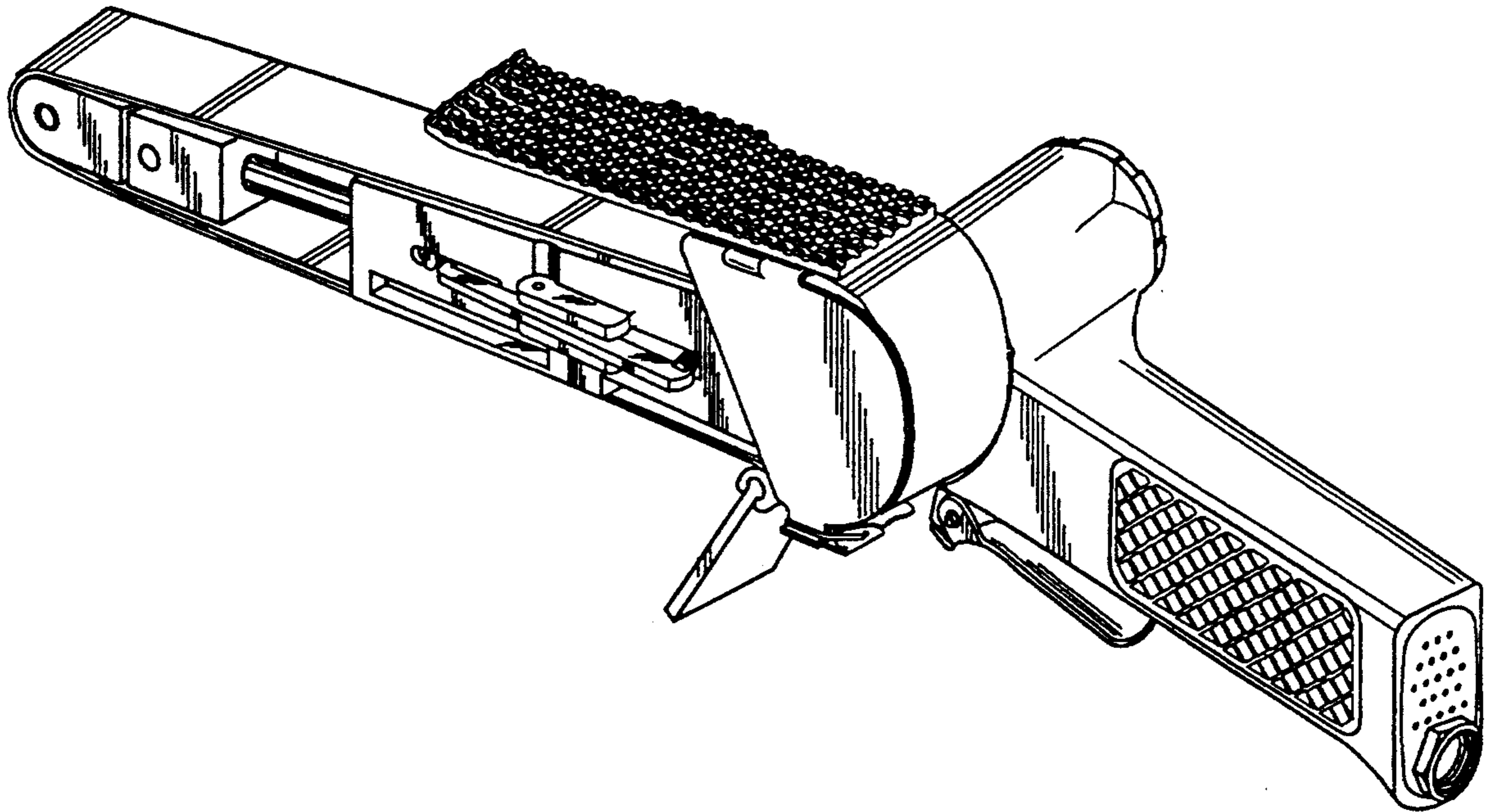
FIG. 6 is a front view thereof; and,

FIG. 7 is a rear view thereof.

[56] References Cited

#### U.S. PATENT DOCUMENTS

|            |         |               |       |       |
|------------|---------|---------------|-------|-------|
| D. 215,047 | 8/1969  | Mikiya        | ..... | D8/62 |
| D. 298,508 | 11/1988 | Fukuda et al. | ..... | D8/62 |
| D. 301,966 | 7/1989  | Currie        | ..... | D8/62 |
| D. 321,464 | 11/1991 | Mikiya        | ..... | D8/62 |
| D. 321,465 | 11/1991 | Mikiya        | ..... | D8/62 |
| D. 338,382 | 8/1993  | Fukuda et al. | ..... |       |



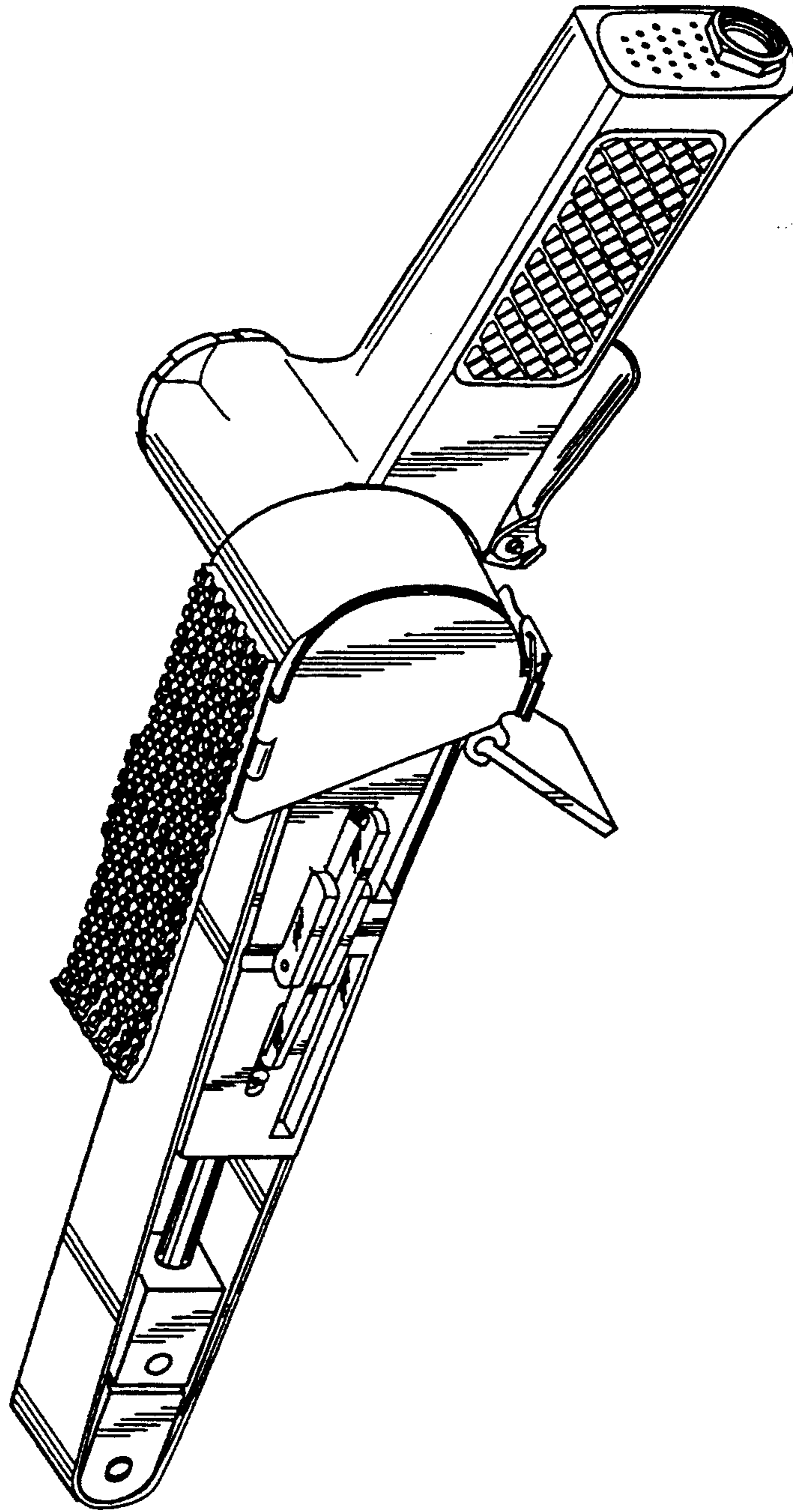


FIG 1

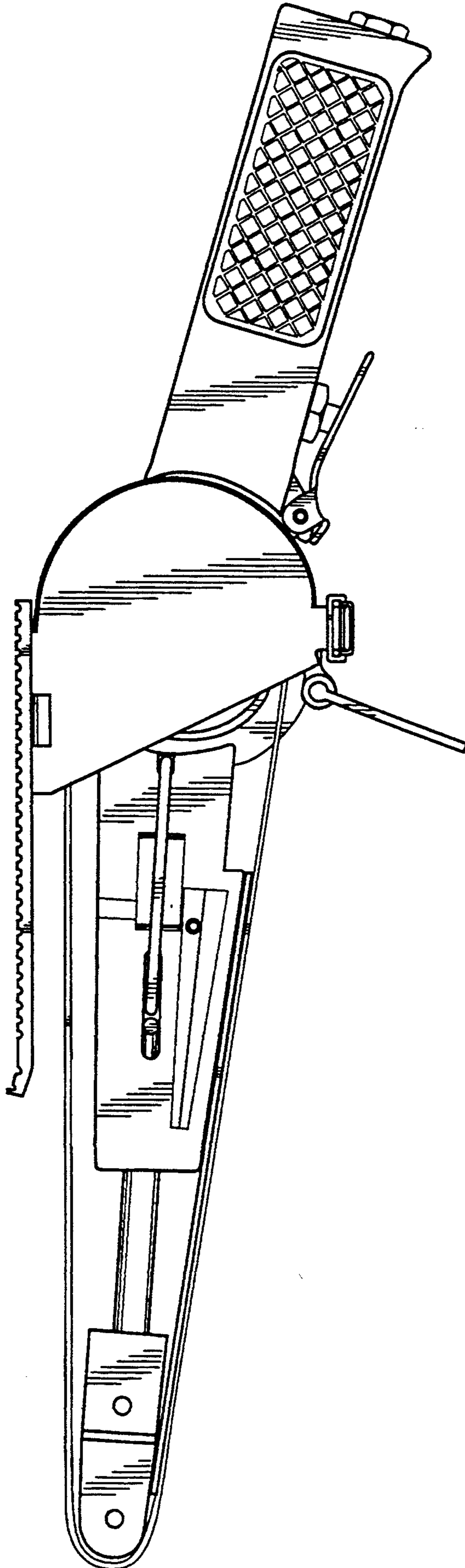


FIG 2

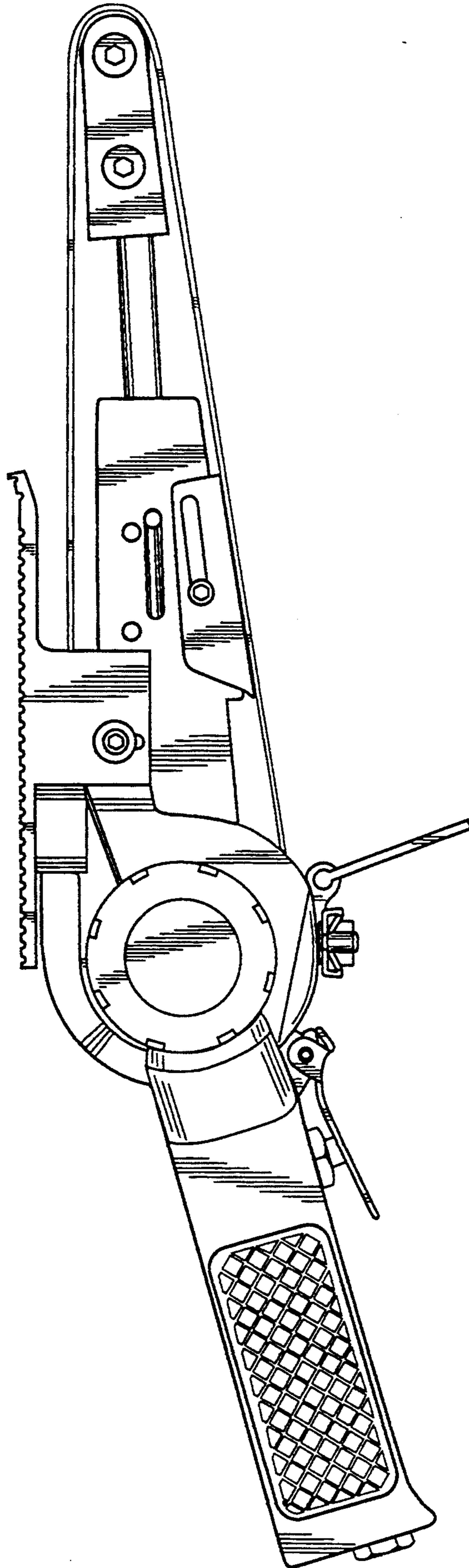


FIG 3

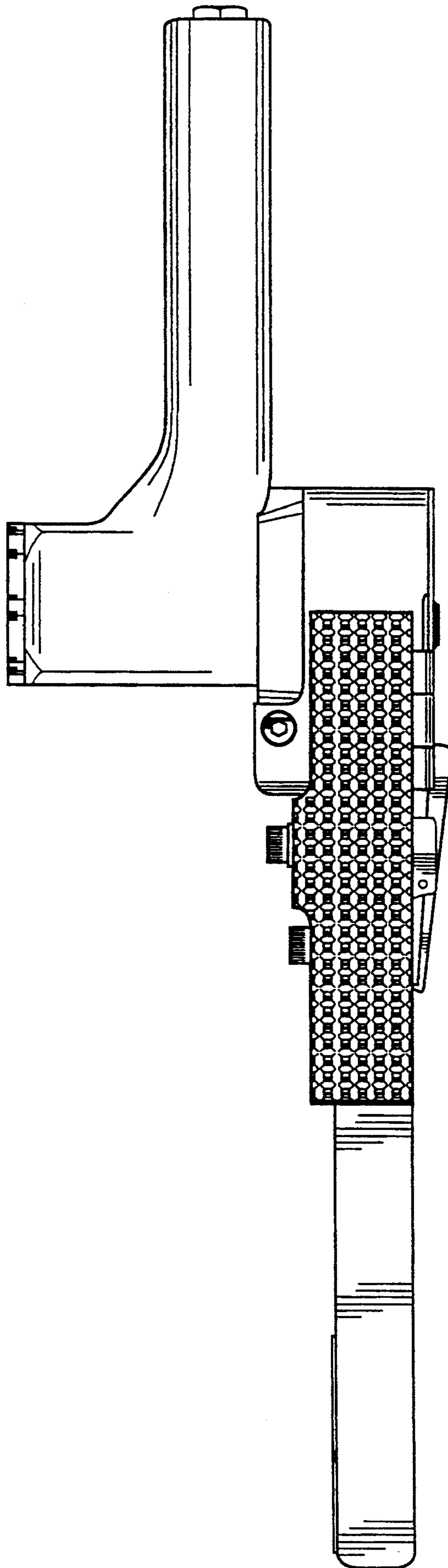


FIG 4

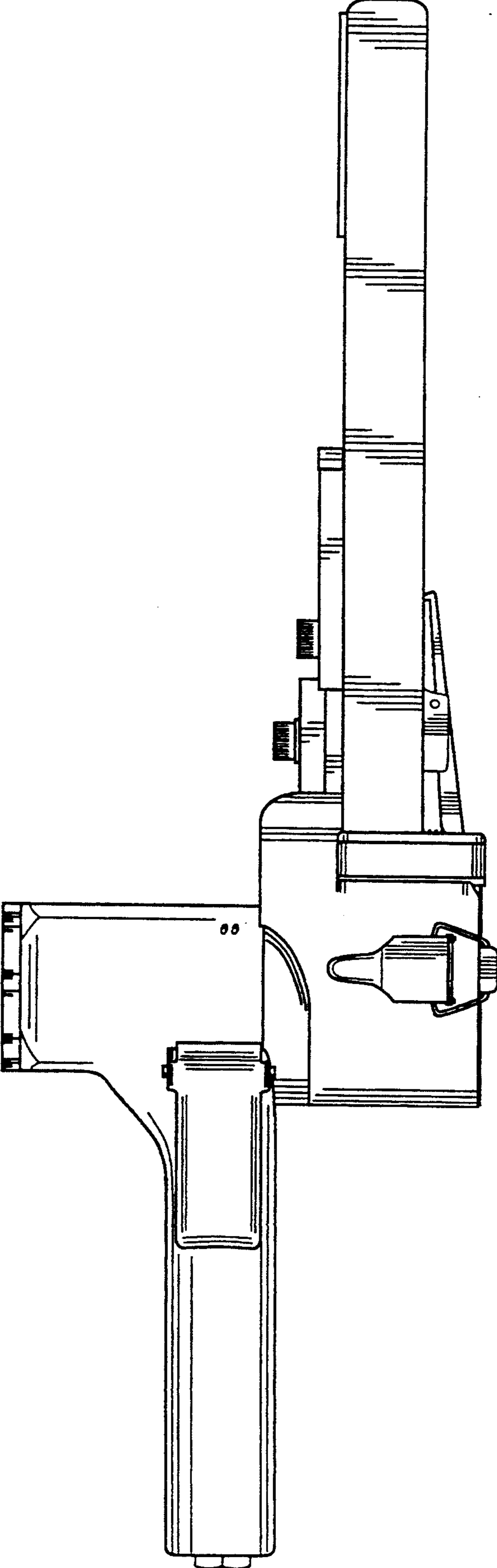


FIG 5

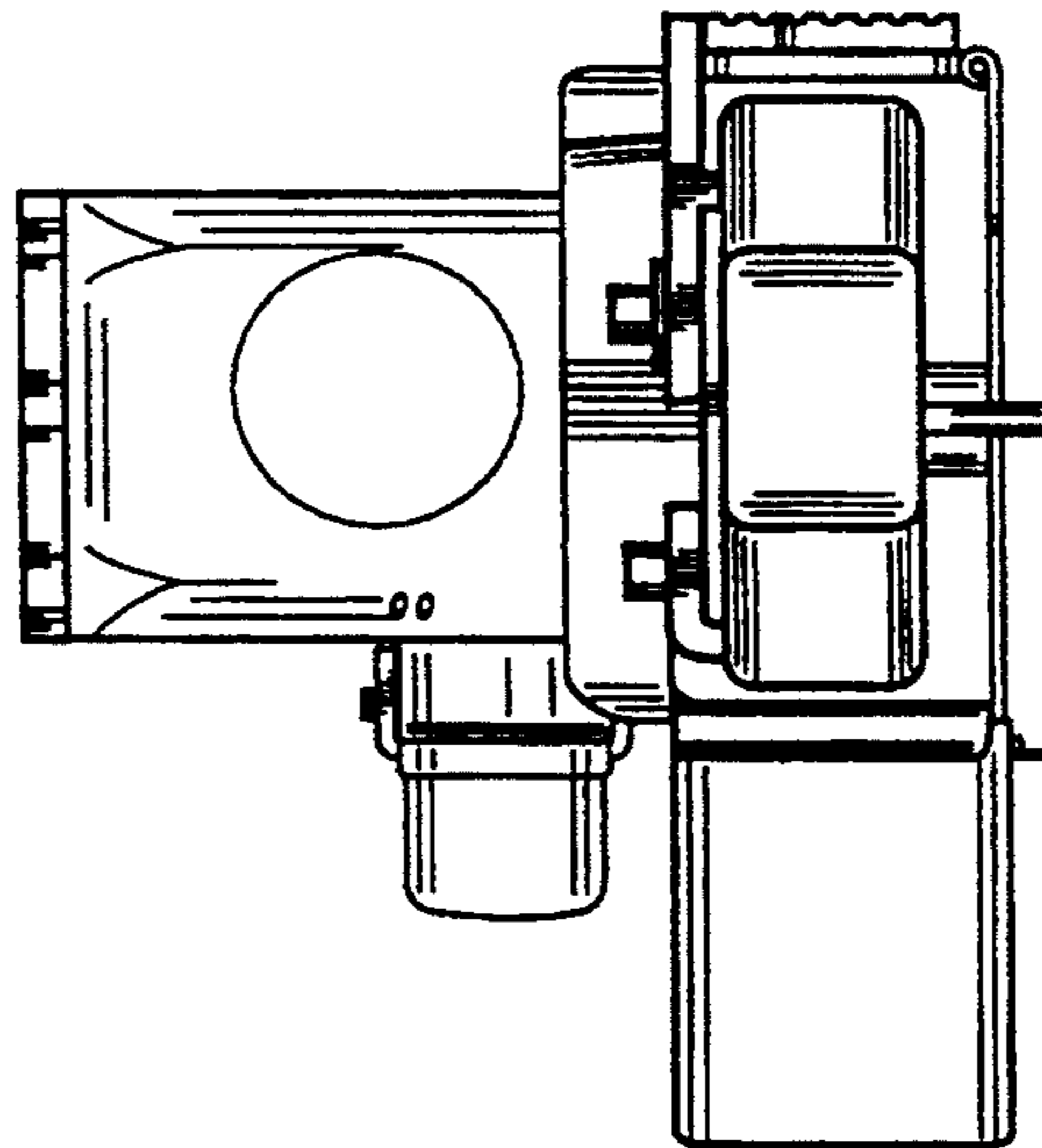


FIG 6

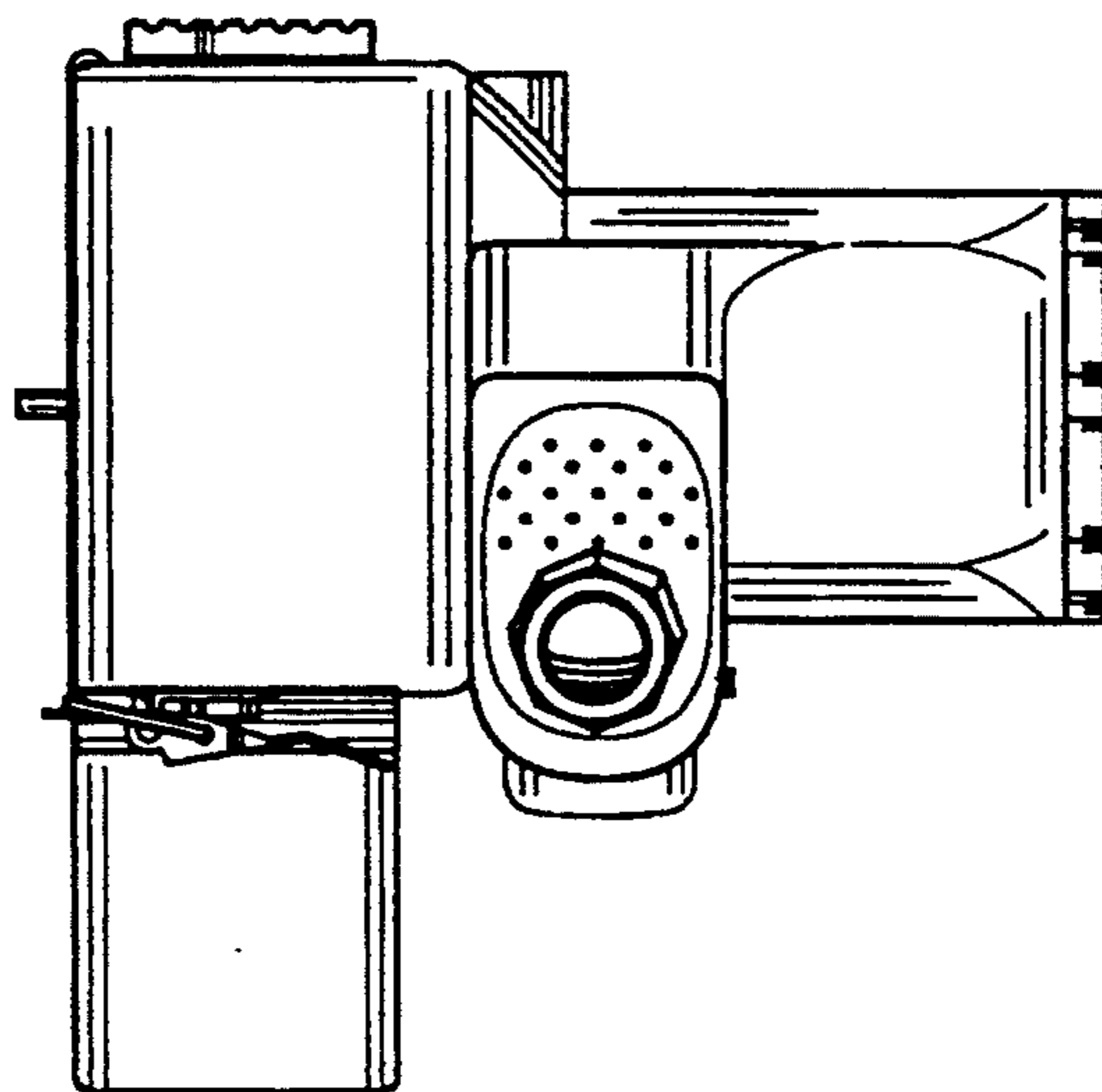


FIG 7