



US00D351544S

United States Patent [19]

[11] Patent Number: **Des. 351,544**

Izumisawa

[45] Date of Patent: **** Oct. 18, 1994**

[54] **COMPACT BELT SANDER**

D. 321,465 11/1991 Mikiya D8/62

[75] Inventor: **Nobuyuki Izumisawa, Tokyo, Japan**

OTHER PUBLICATIONS

[73] Assignee: **Shinano, Inc., Japan**

Dynabrade TM Dynabelter [®] (1989).

[**] Term: **14 Years**

Primary Examiner—Alan P. Douglas

Assistant Examiner—Jeffry H. Musgrove

Attorney, Agent, or Firm—Greer, Burns & Crain, Ltd.

[21] Appl. No.: **11,809**

[57] CLAIM

[22] Filed: **Aug. 13, 1993**

The ornamental design for a compact belt sander, as shown and described.

[52] U.S. Cl. **D8/62**

[58] Field of Search D8/61, 62; 173/170;
51/170 R, 170 T, 170 TL, 170 MT, 170 EB;
81/54, 57.11, 57.14

DESCRIPTION

[56] References Cited

U.S. PATENT DOCUMENTS

- D. 215,047 8/1969 Mikiya D8/62
- D. 298,508 11/1988 Fukuda et al. D8/62
- D. 301,966 7/1989 Currie D8/62
- D. 321,464 11/1991 Mikiya D8/62

FIG. 1 is perspective view of the compact belt sander showing my new design;

FIG. 2 is a left side view thereof;

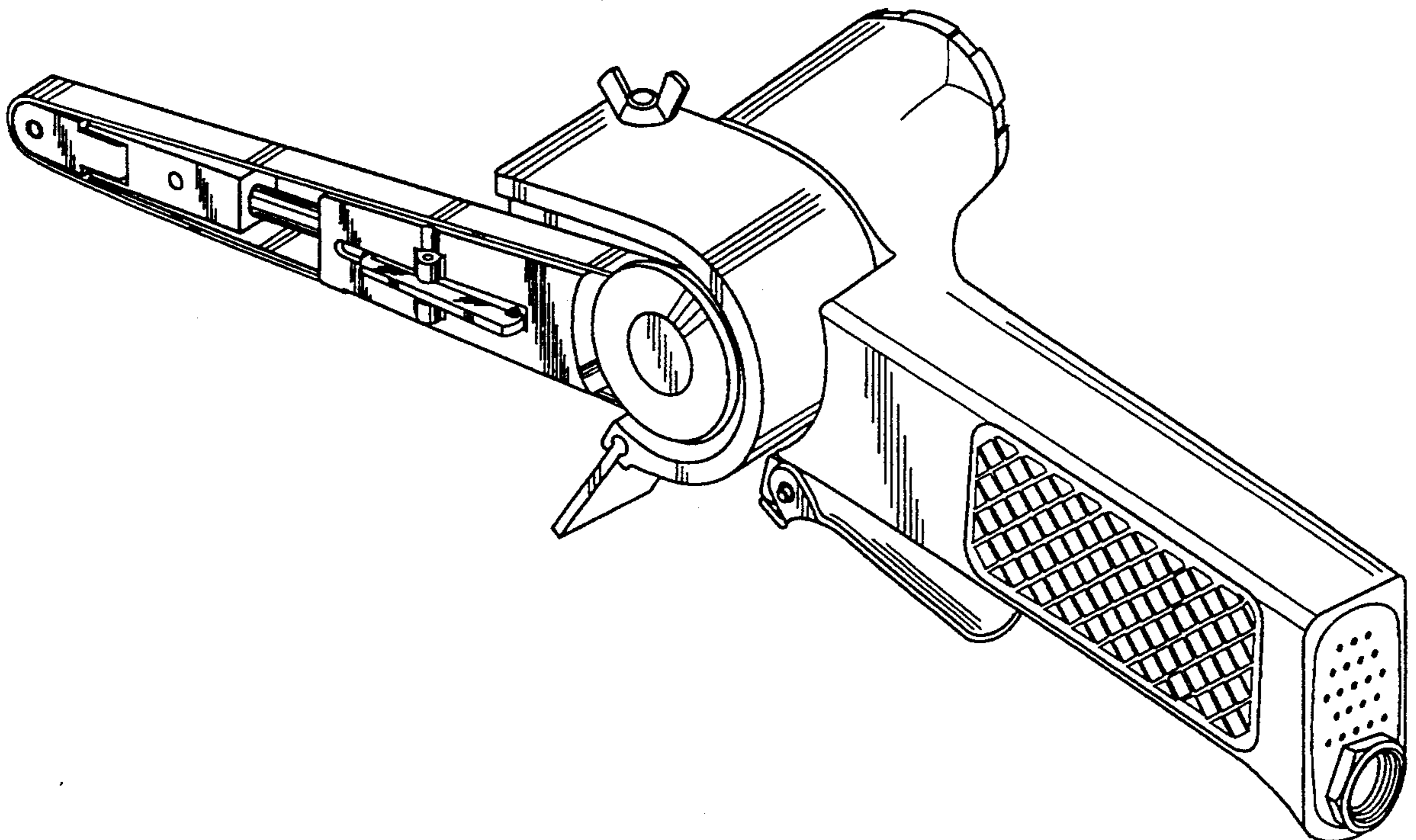
FIG. 3 is a right side view thereof;

FIG. 4 is a top view thereof;

FIG. 5 is a bottom view thereof;

FIG. 6 is a front view thereof; and,

FIG. 7 is a rear view thereof.



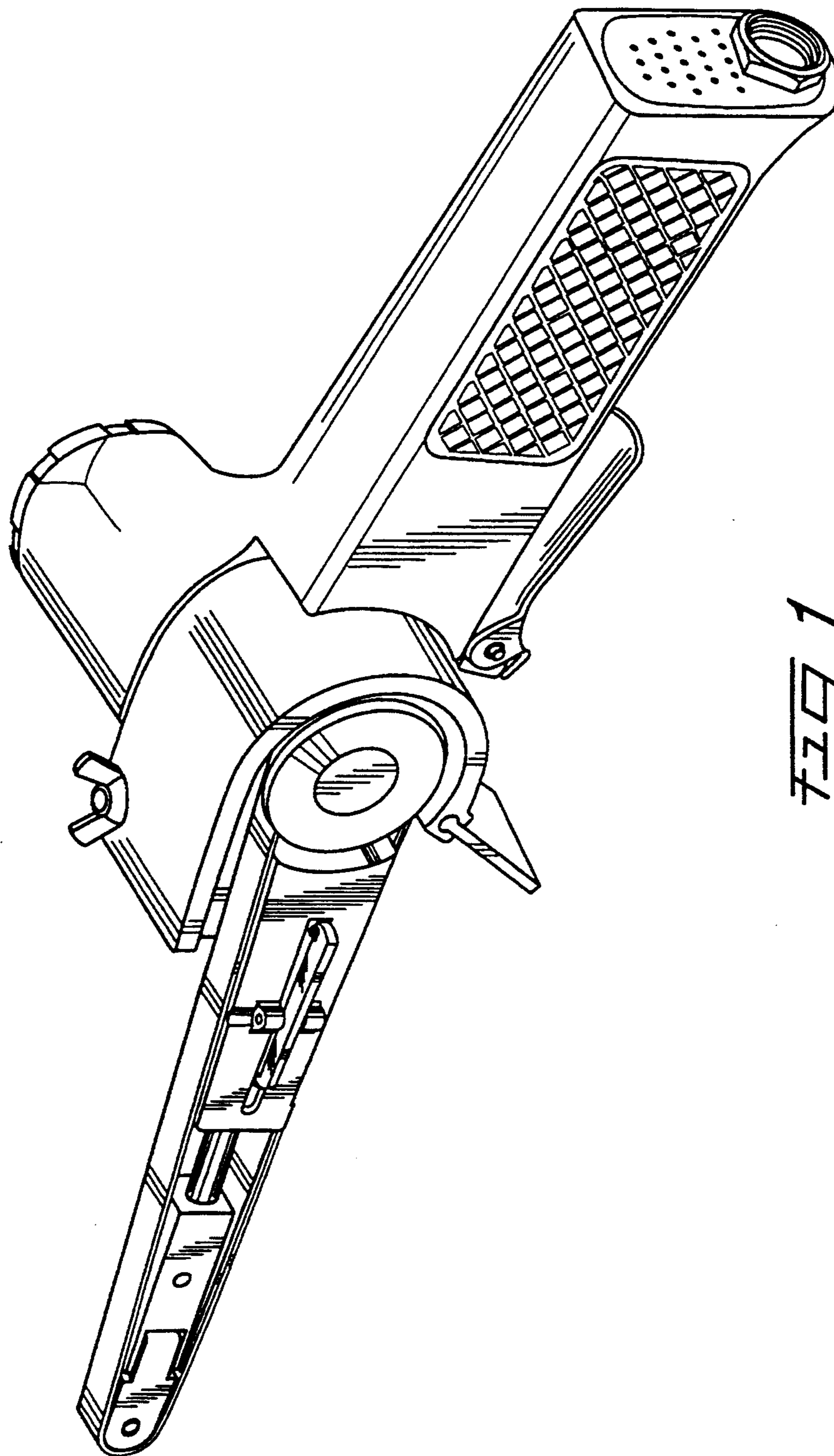


FIG 1

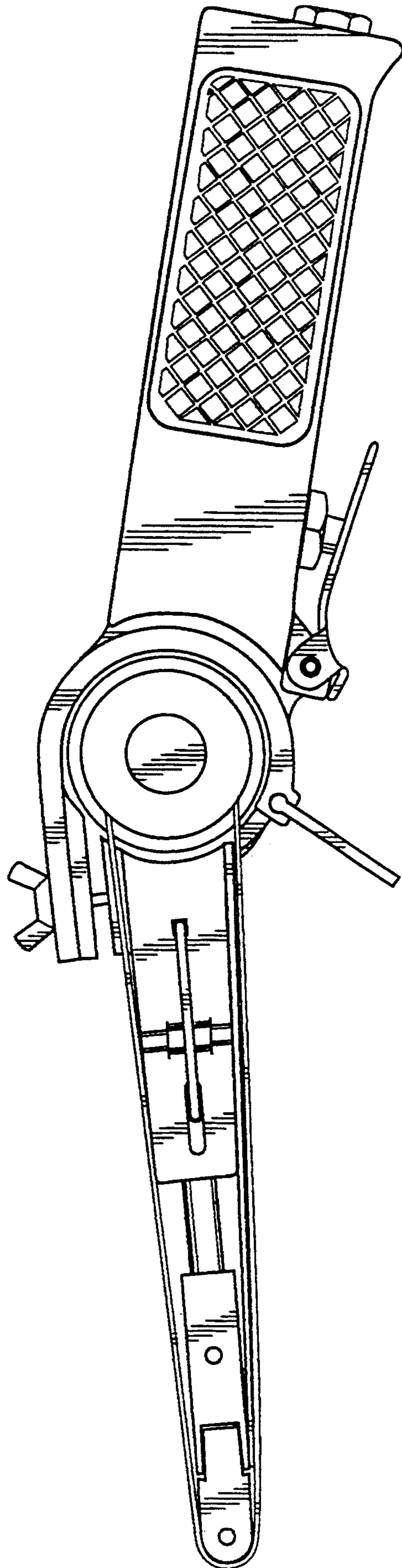


FIG 2

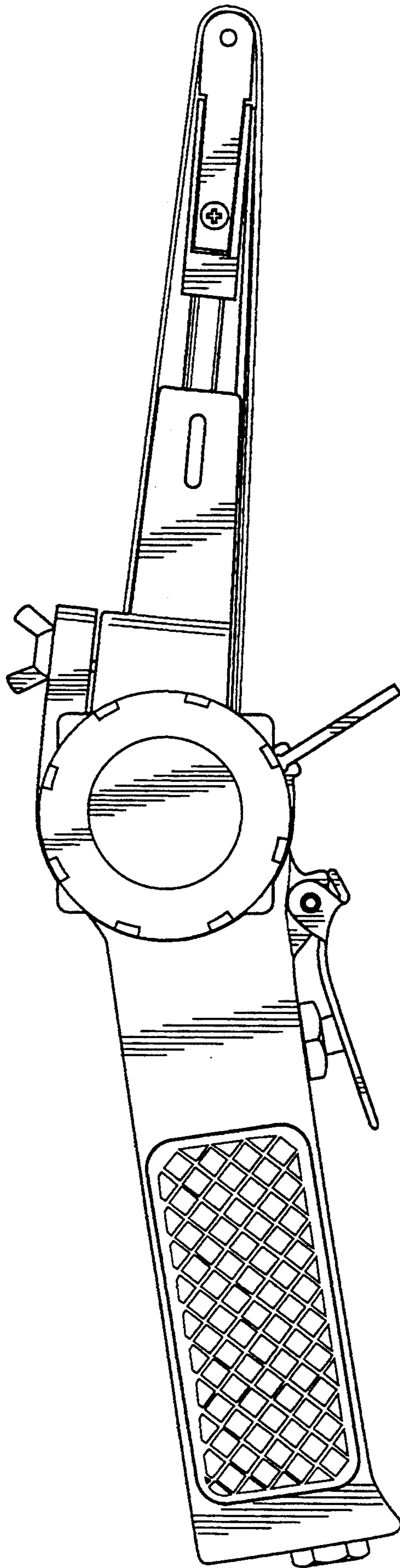


FIG 3

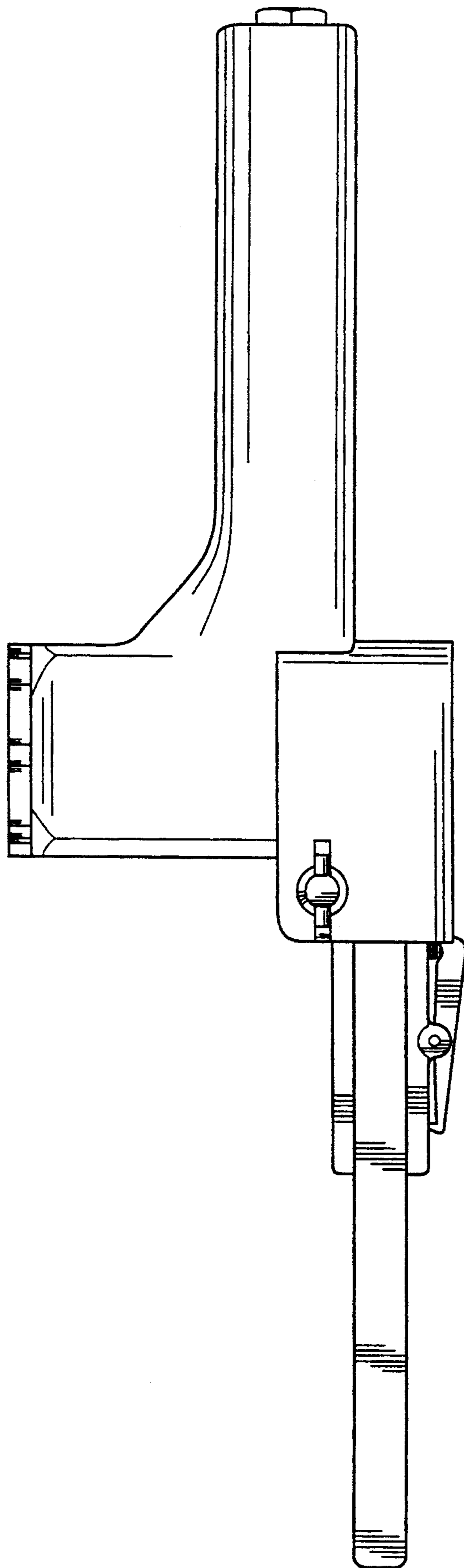


FIG 4

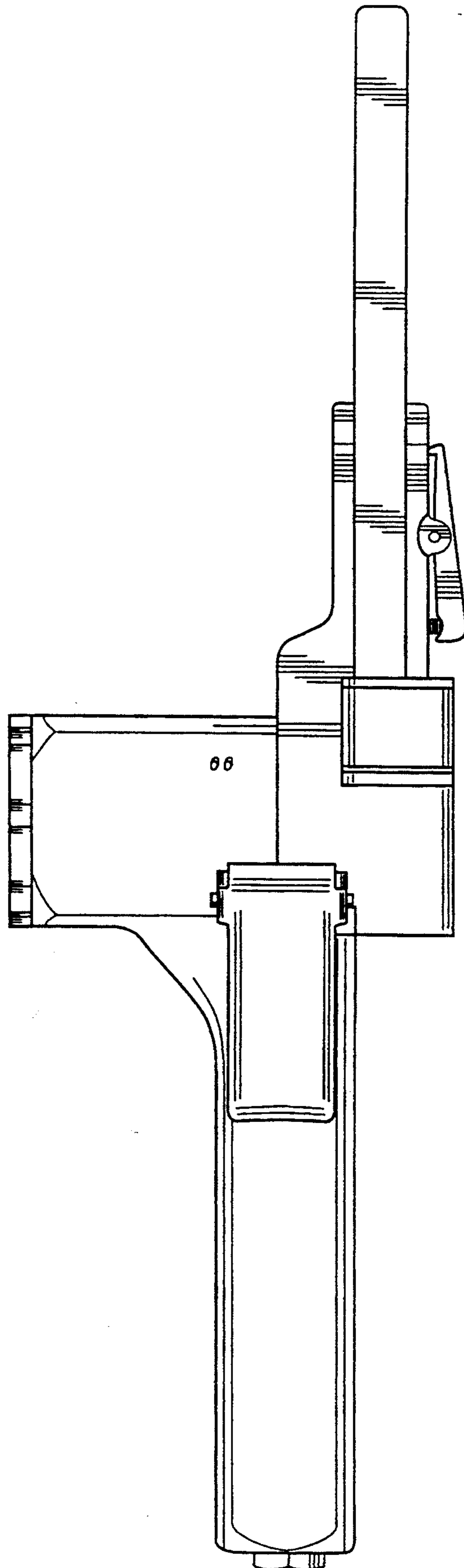


FIG 5

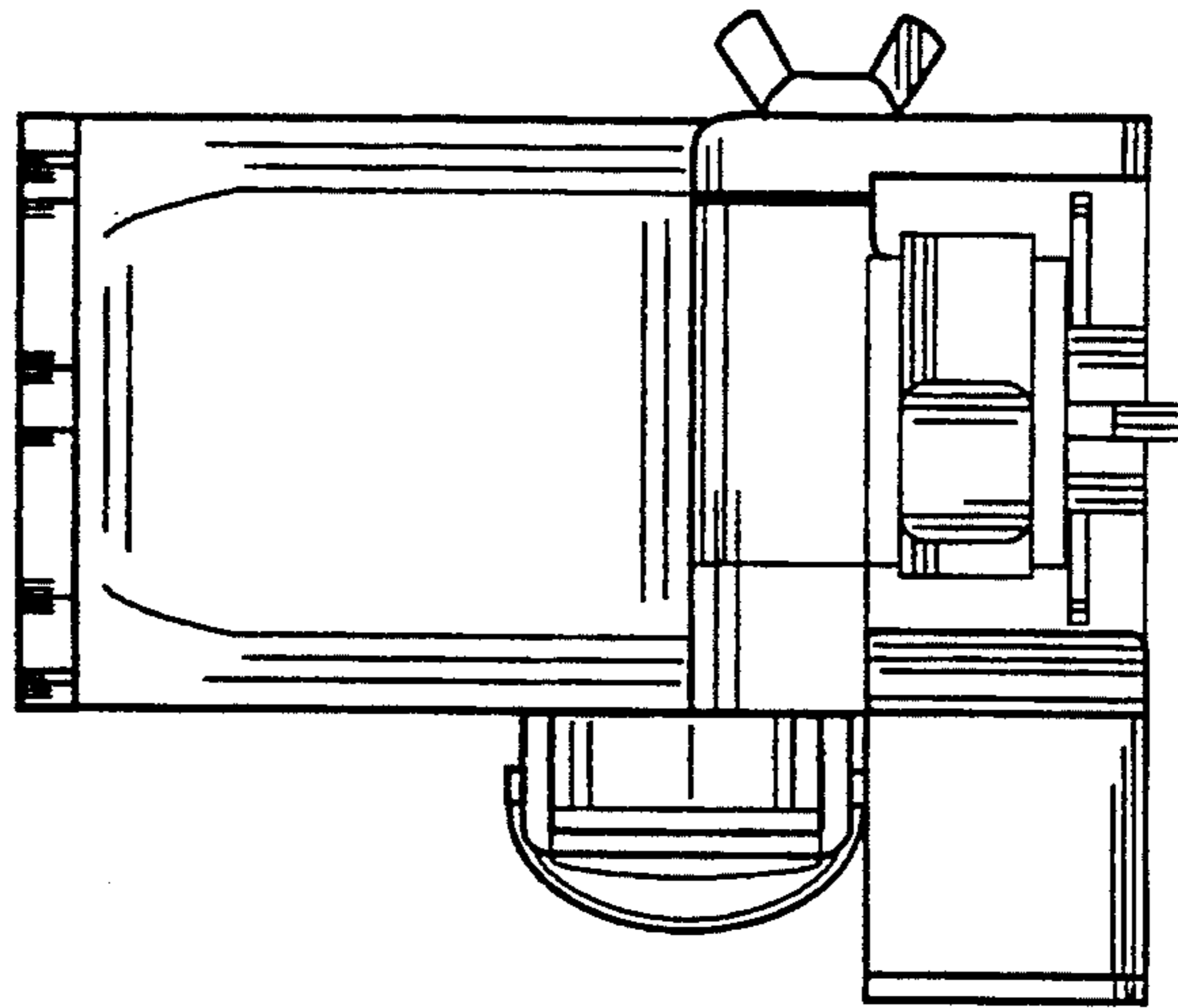


FIG 6

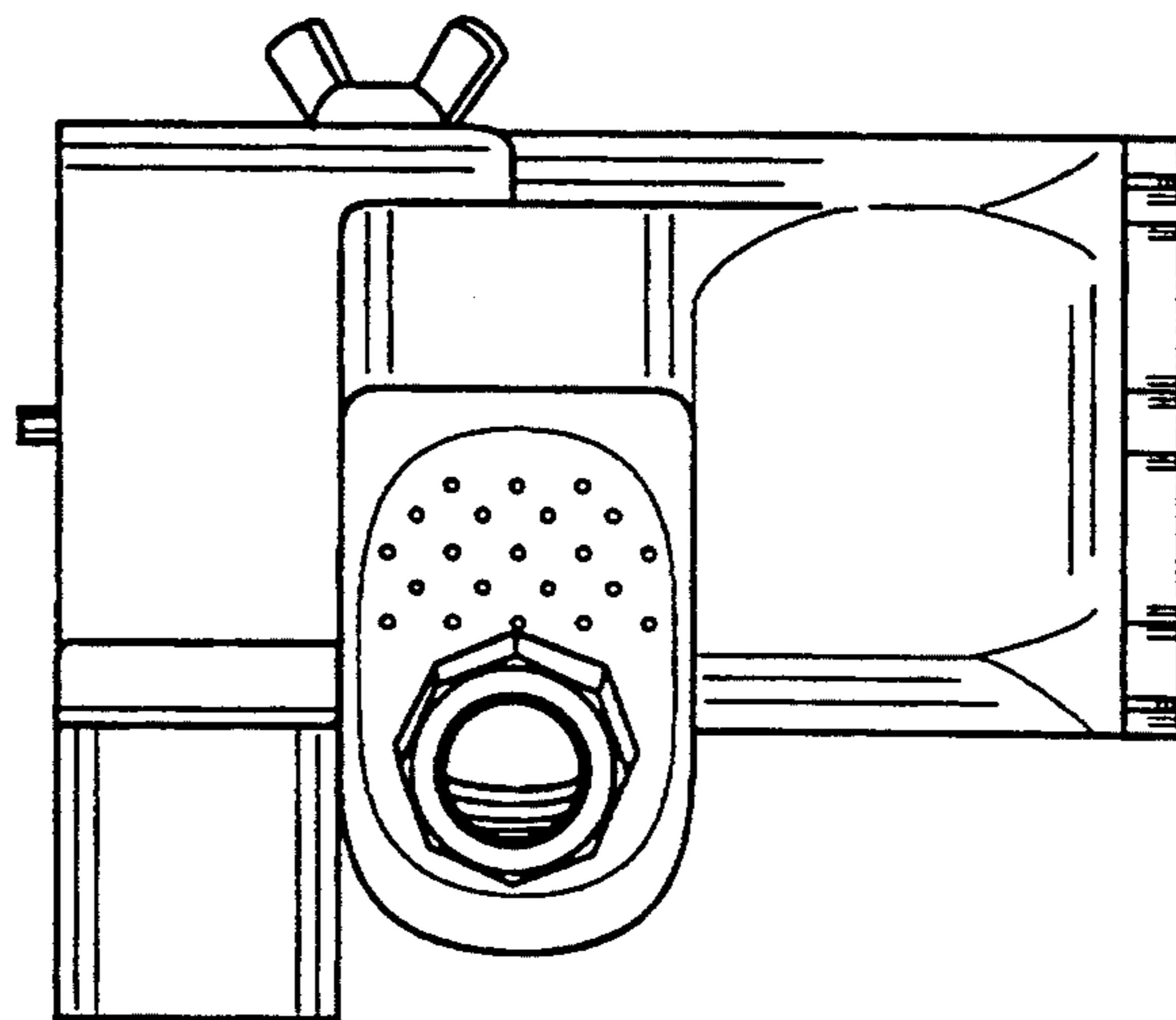


FIG 7