



US00D351543S

United States Patent [19]

[11] Patent Number: **Des. 351,543**

Callahan et al.

[45] Date of Patent: **** Oct. 18, 1994**

[54] **GLASS CRACK REPAIR TOOL**

[76] Inventors: **Michael J. Callahan**, 733 Lake St., Suite 313; **James A. Fikse**, 300 7th Ave. South, No. 15, both of Kirkland, Wash. 98033

[**] Term: **14 Years**

[21] Appl. No.: **926,896**

[22] Filed: **Aug. 7, 1992**

[52] U.S. Cl. **D8/51**

[58] Field of Search D8/14, 51; 156/94; 425/12, 13

4,775,305 10/1988 Alexander et al. 156/94
 4,776,780 10/1988 Banks 156/94
 4,921,411 5/1990 Ottenheimer 156/94
 4,975,037 12/1990 Freiheit 156/94

Primary Examiner—Bernard Ansher
Assistant Examiner—Philip Hyder
Attorney, Agent, or Firm—Robert W. Beach

[57] CLAIM

The ornamental design for a glass crack repair tool, as shown.

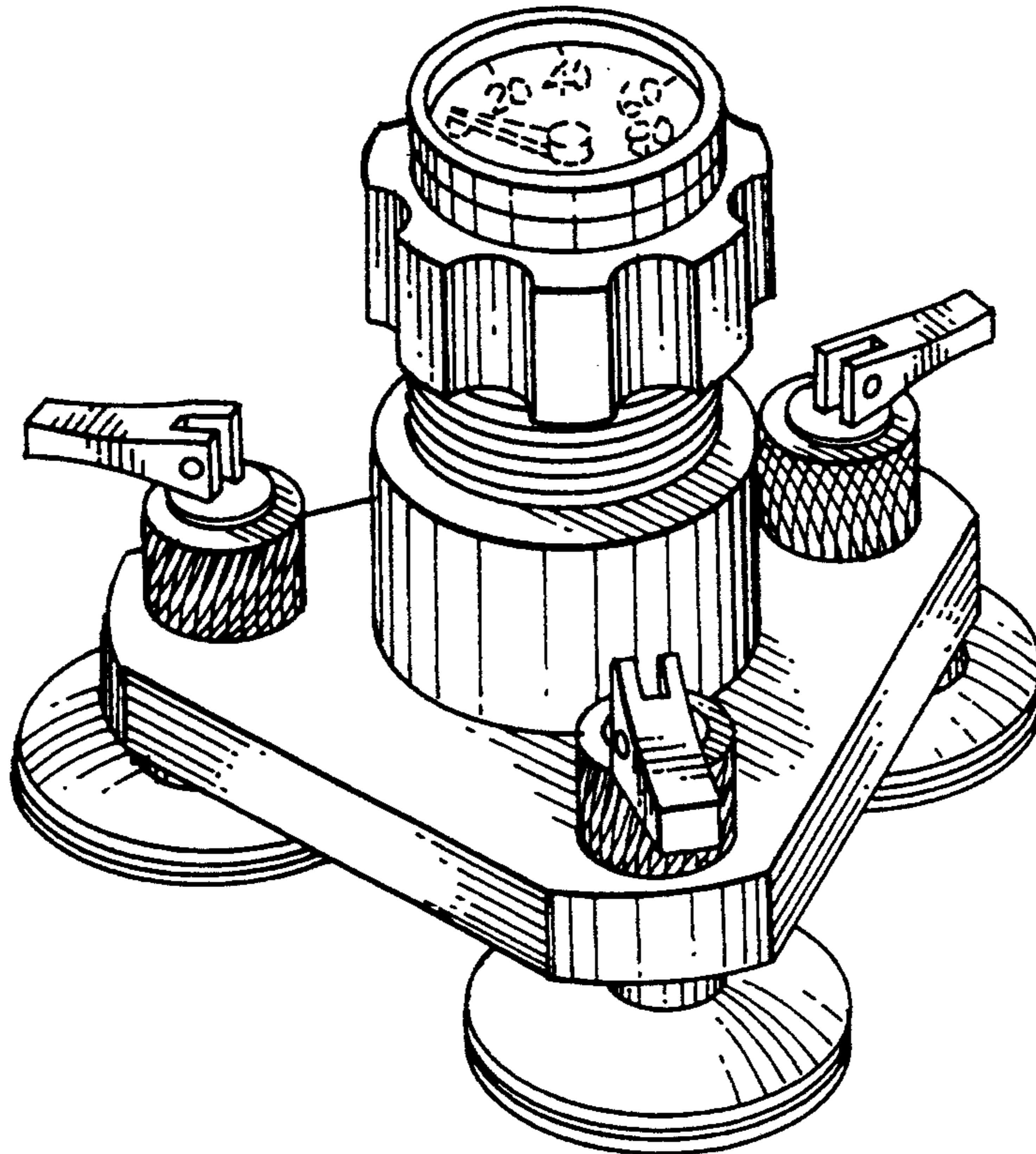
DESCRIPTION

FIG. 1 is a top perspective view of a glass crack repair tool showing our new design;
 FIG. 2 is a top plan view thereof;
 FIG. 3 is a bottom plan view thereof;
 FIG. 4 is a side elevational view thereof viewed from one side; and,
 FIG. 5 is a side elevational view thereof viewed from the opposite side.

[56] References Cited

U.S. PATENT DOCUMENTS

D. 314,893	2/1991	Jones	D8/14
4,280,861	7/1981	Schwartz	156/94
4,569,808	2/1986	Smali	156/94
4,681,520	7/1987	Birkhauser, III	156/94
4,744,841	5/1988	Thomas	156/94



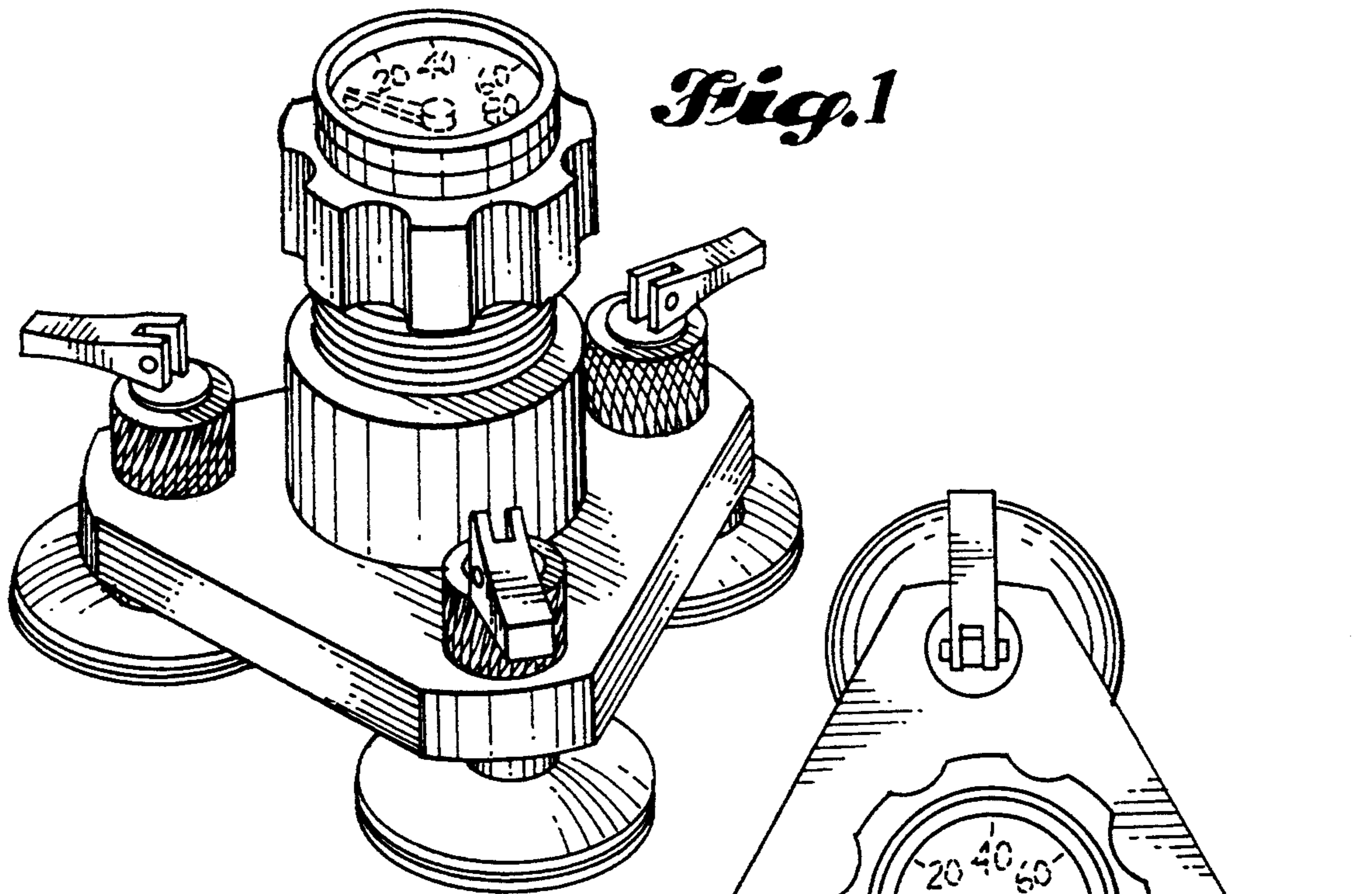


Fig. 2

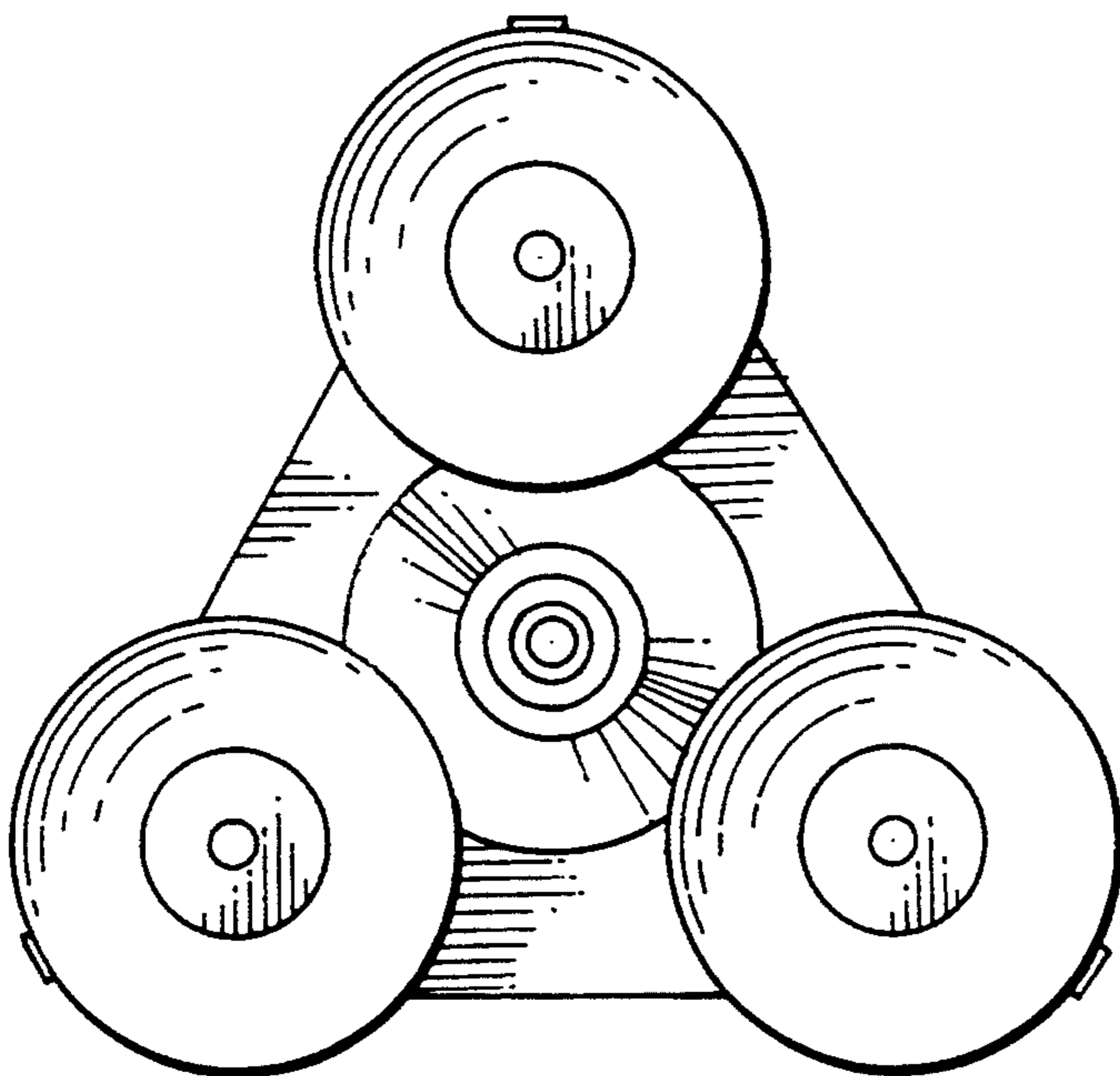
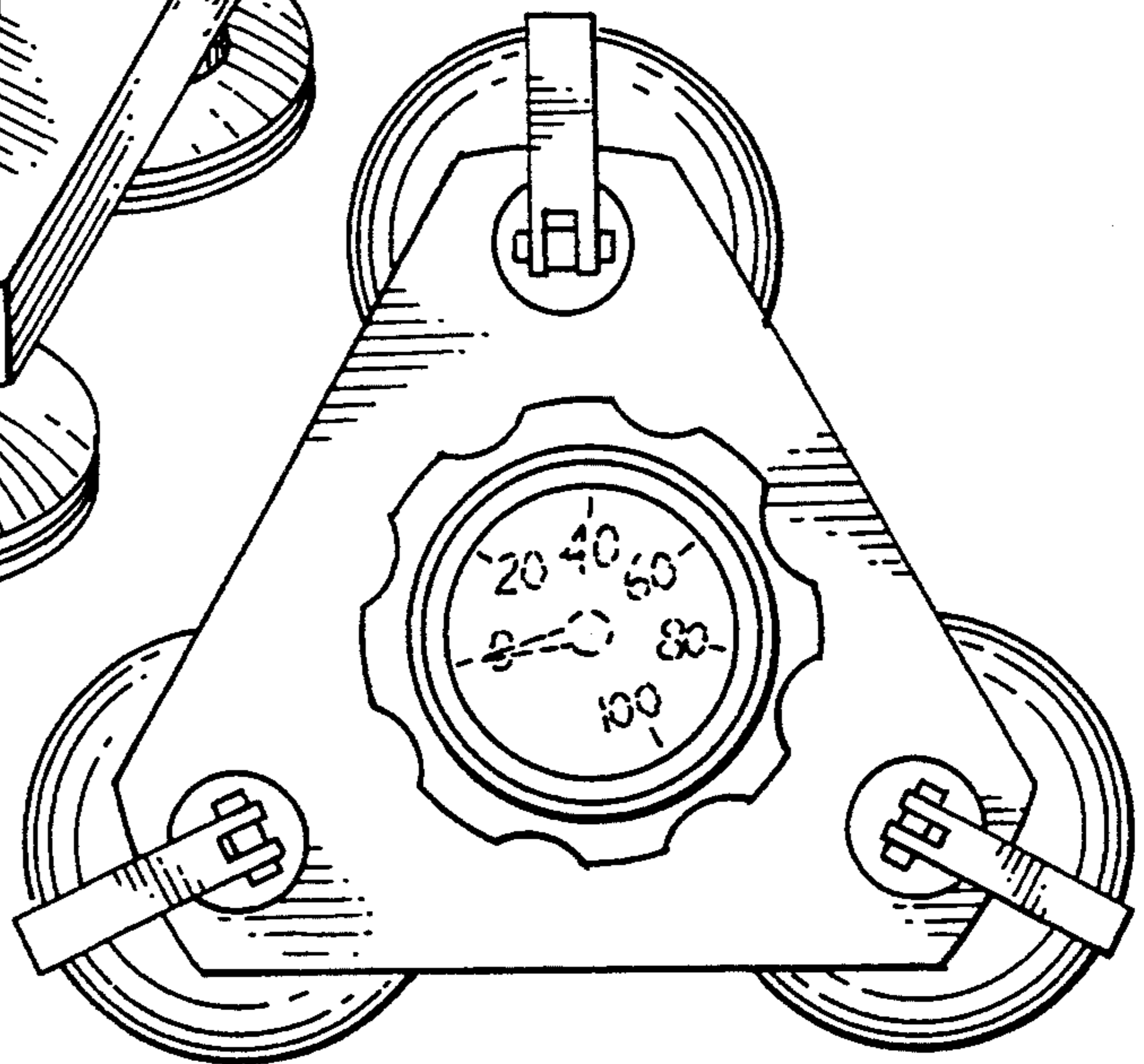


Fig. 3

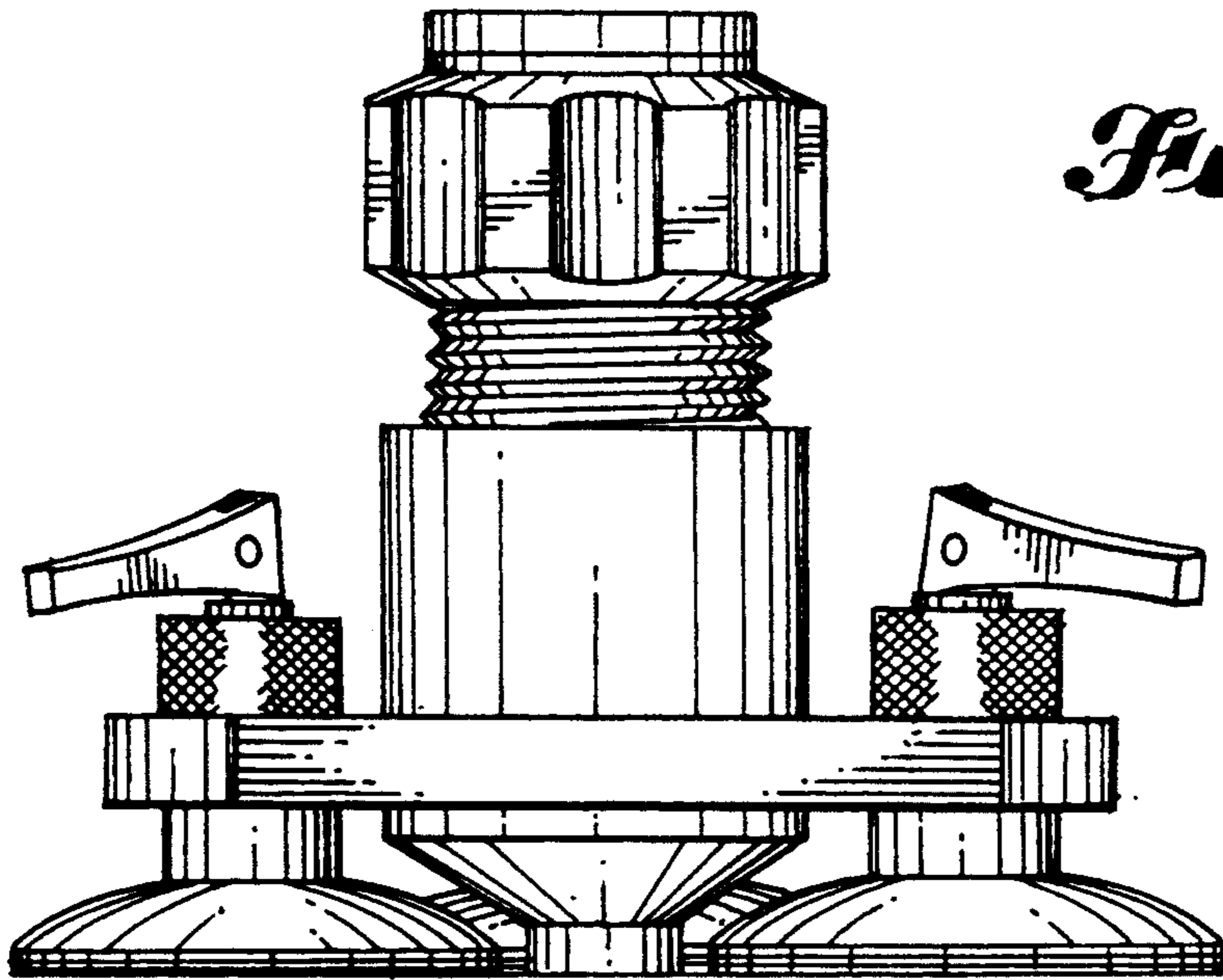


Fig. 4

Fig. 5

