



US00D351536S

**United States Patent** [19]  
**Maydwell**

[11] **Patent Number: Des. 351,536**

[45] **Date of Patent: \*\* Oct. 18, 1994**

[54] **LUNCHBOX**

[76] **Inventor: Jude D. Maydwell, 73 E. Franklin St., Ephrata, Pa. 17522-2446**

[\*\*] **Term: 14 Years**

[21] **Appl. No.: 7,804**

[22] **Filed: May 3, 1993**

[52] **U.S. Cl. .... D7/709**

[58] **Field of Search .... D7/709-710; 206/223, 541, 546, 549; 220/DIG. 10; D3/273, 274, 276, 281-282, 283-284, 287**

4,648,511 3/1987 Ritman ..... 206/541  
4,662,188 5/1987 Hulihan ..... 62/372  
5,277,329 1/1994 Pomroy et al. .... 206/541 X

*Primary Examiner*—Terry A. Wallace  
*Attorney, Agent, or Firm*—Terry M. Gernstein

[57] **CLAIM**

The ornamental design for a lunchbox, as shown and described.

**DESCRIPTION**

FIG. 1 is a front, top and side perspective view of a lunchbox showing my new design in the open condition;  
FIG. 2 is a front elevational view thereof;  
FIG. 3 is a rear elevational view thereof;  
FIG. 4 is a side elevational view thereof;  
FIG. 5 is a side elevational view thereof;  
FIG. 6 is a top plan view thereof; and,  
FIG. 7 is a bottom plan view thereof.

[56] **References Cited**

**U.S. PATENT DOCUMENTS**

D. 158,897 6/1950 Ruml, Jr. .... D7/709 X  
2,731,996 1/1956 Hayes .  
3,746,162 7/1973 Bridges .  
3,871,523 3/1975 Bassett .

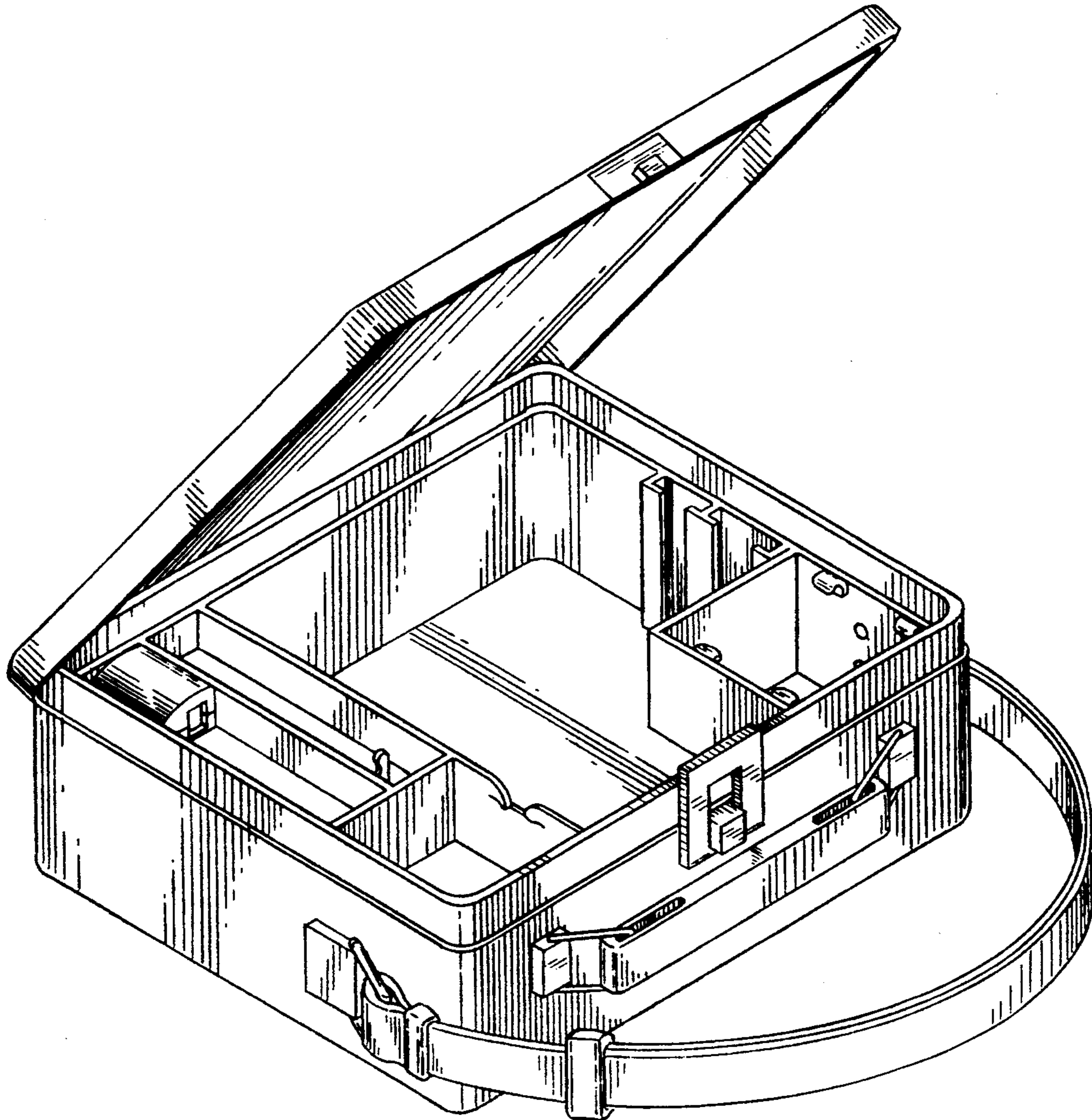
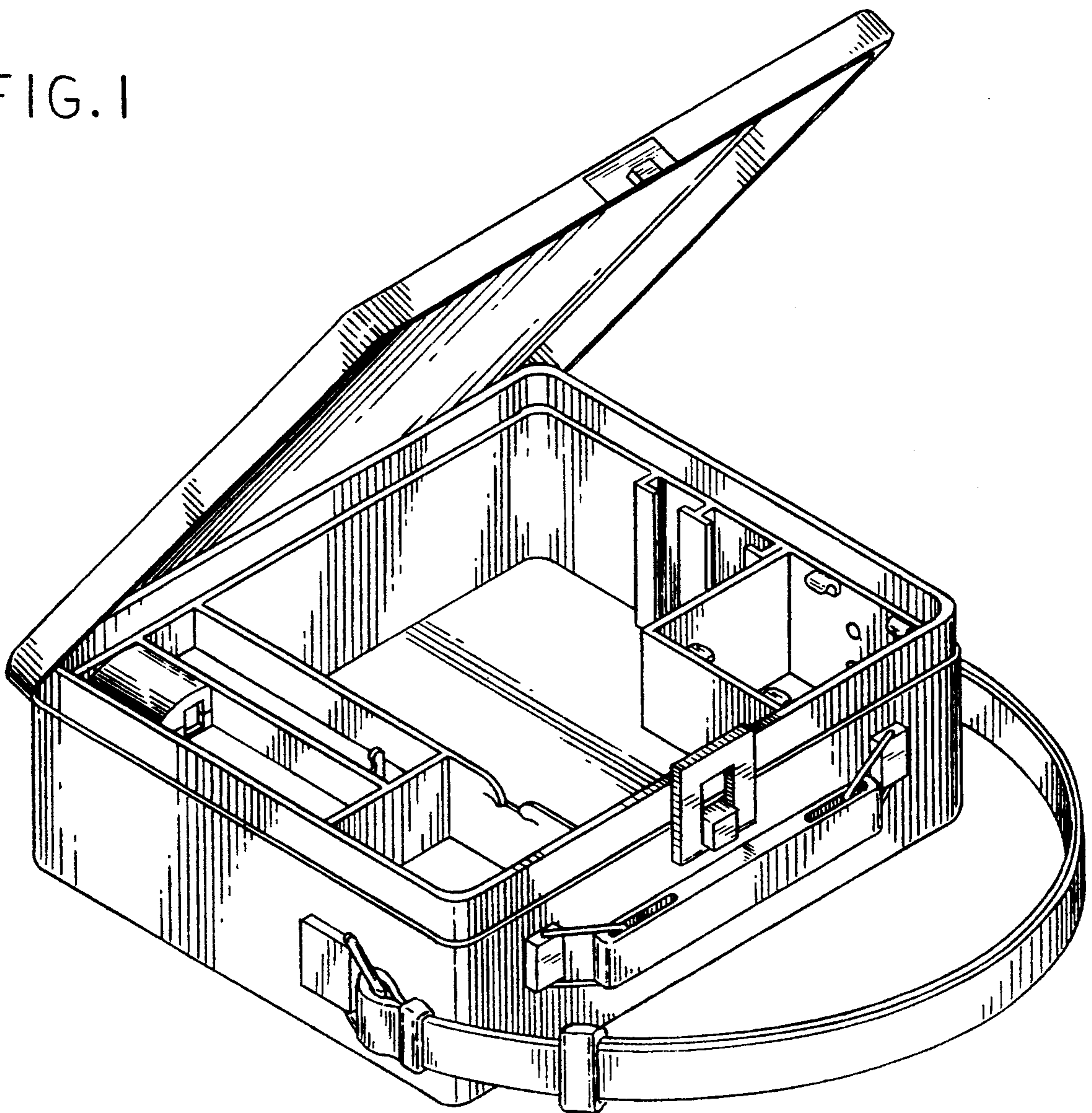


FIG. 1



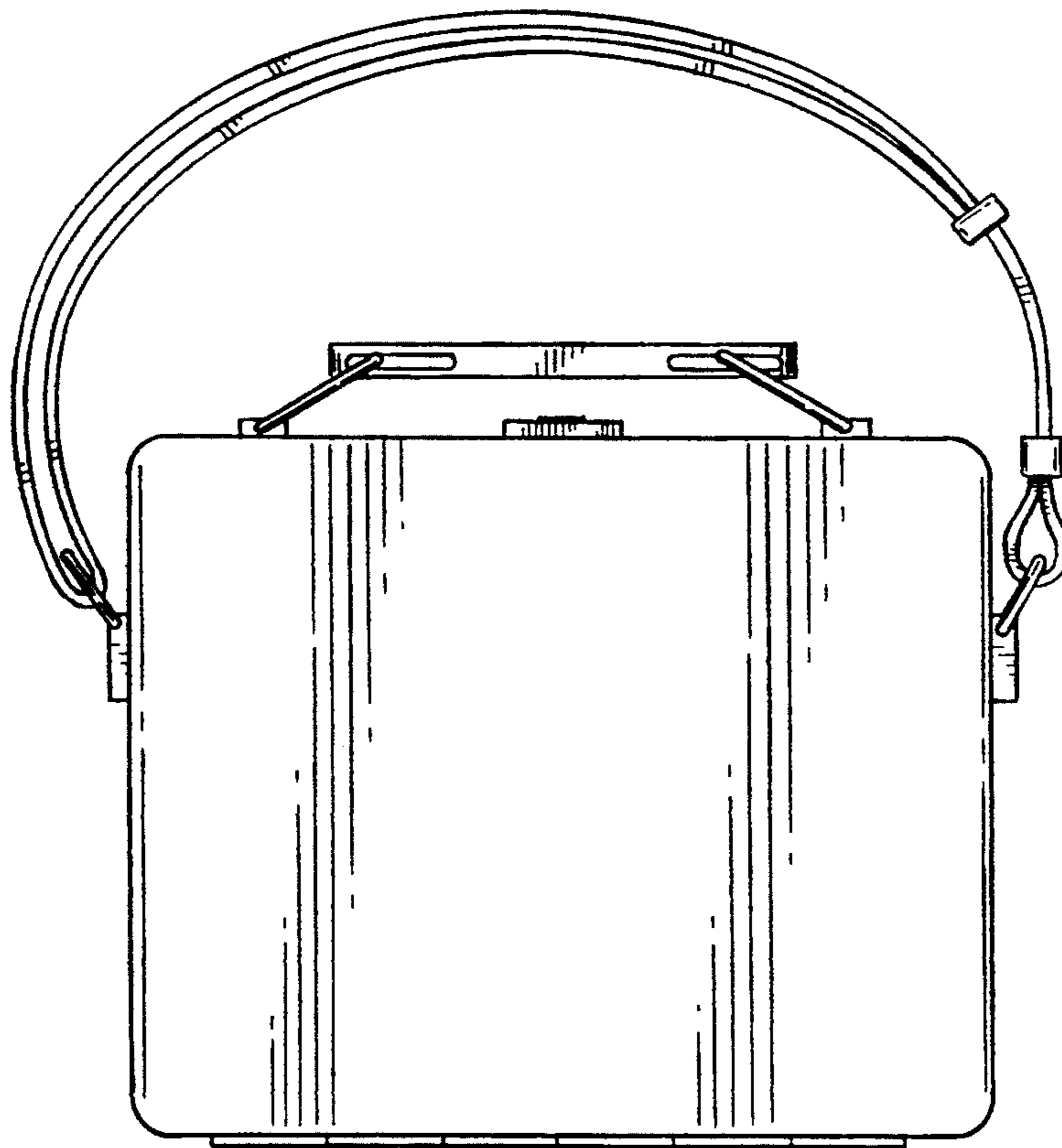


FIG. 2

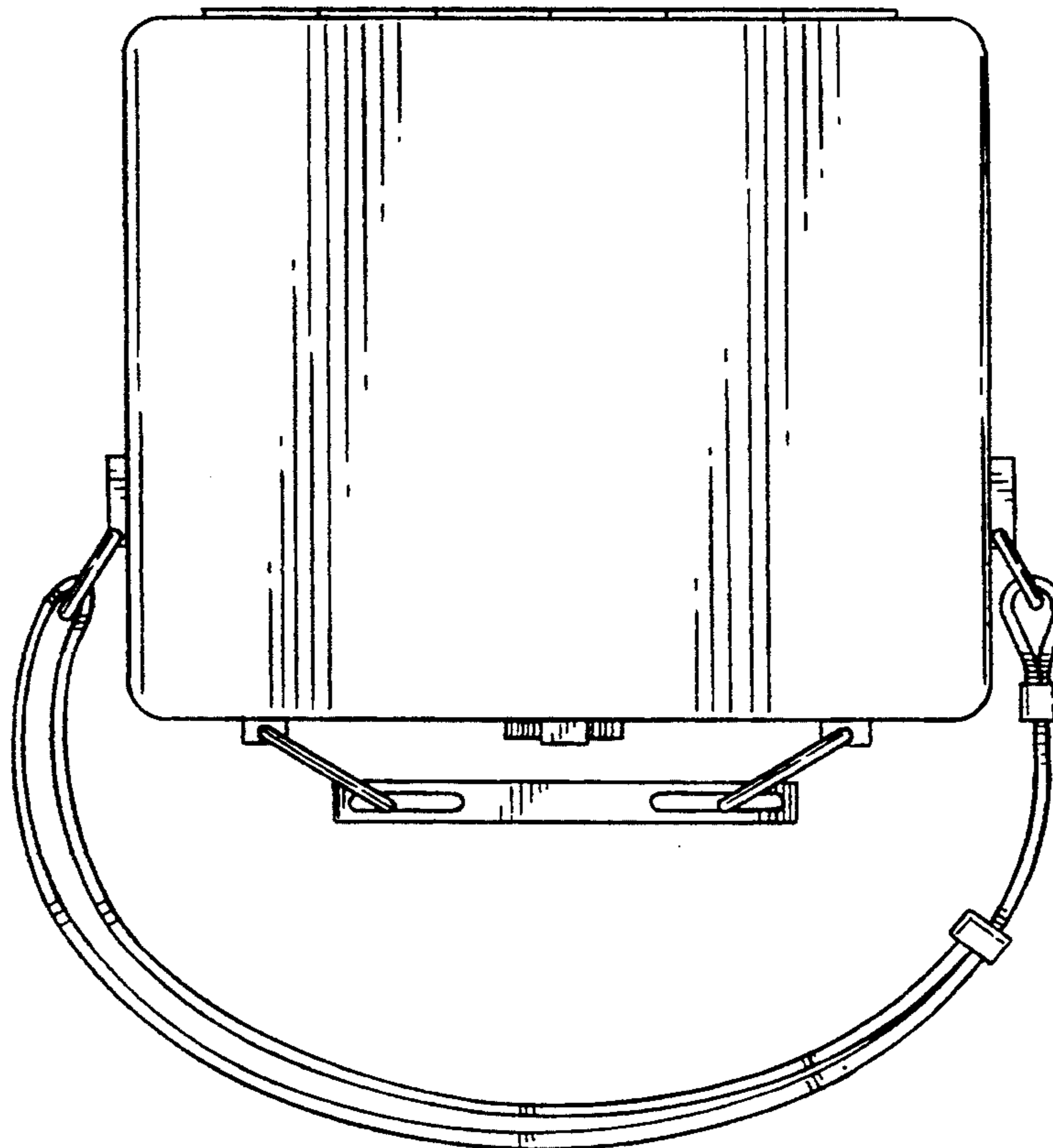


FIG. 3

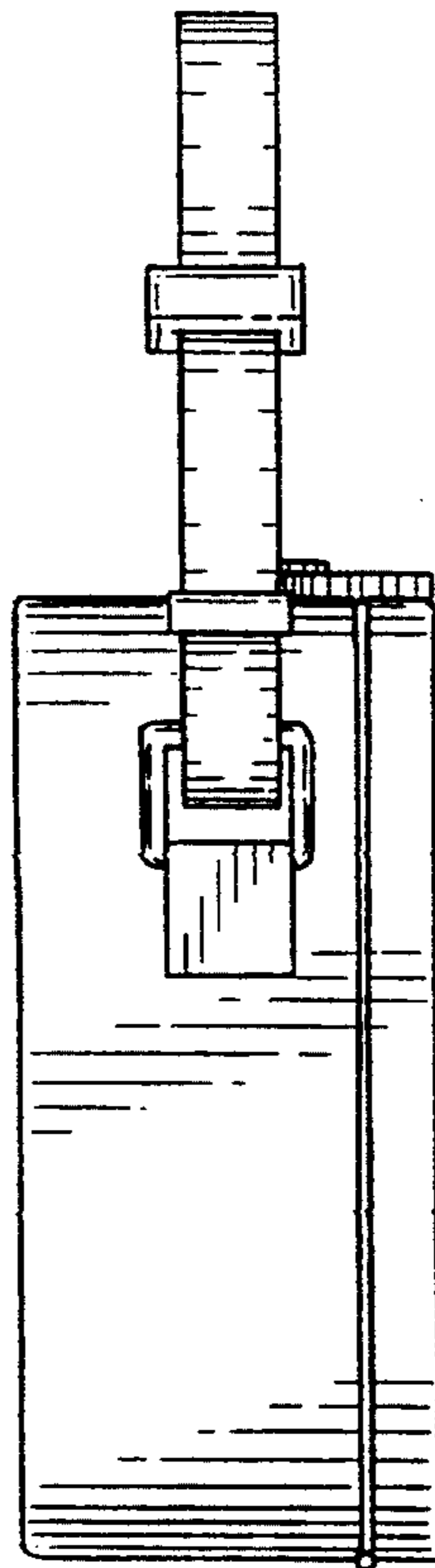


FIG. 4

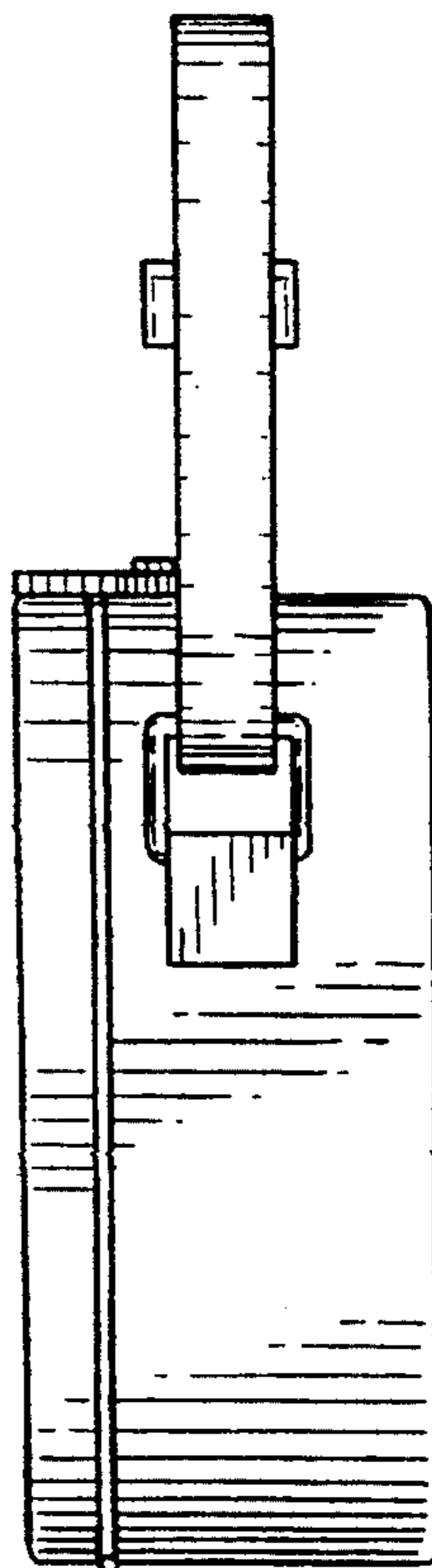


FIG. 5

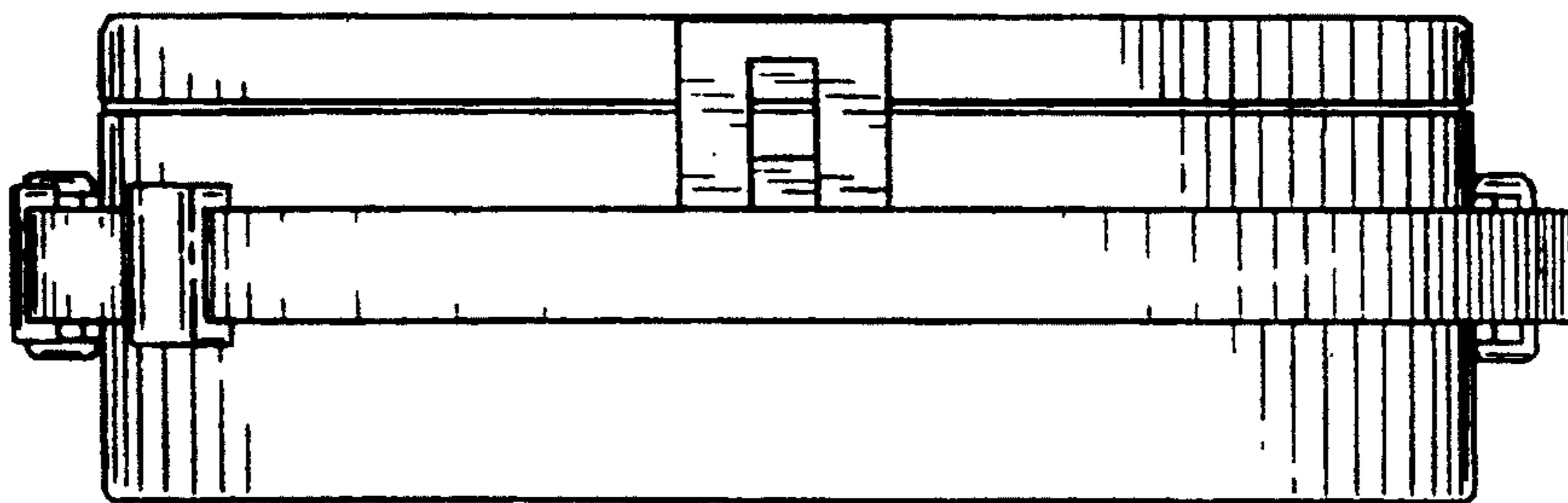


FIG. 6

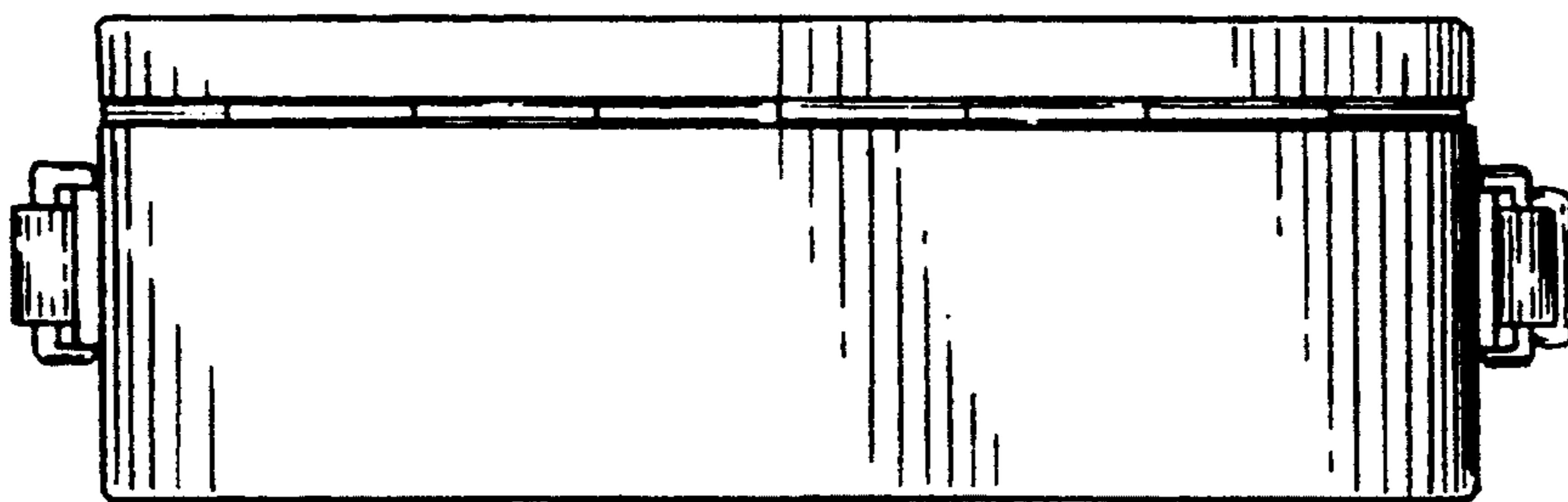


FIG. 7