



US00D351534S

United States Patent [19]

Weber

[11] Patent Number: **Des. 351,534**

[45] Date of Patent: **** Oct. 18, 1994**

[54] **BARBECUE TONGS**

[75] Inventor: **Jonathon J. Weber**, Bloomfield Hills, Mich.

[73] Assignee: **Que Pro, Inc.**

[**] Term: **14 Years**

[21] Appl. No.: **4,228**

[22] Filed: **Jan. 29, 1993**

[52] U.S. Cl. **D7/686**

[58] Field of Search **D7/683, 686-687;**
30/322-328; 294/3, 7, 8, 8.5, 11, 16, 99.1, 99.2,
118-119

- D. 250,080 10/1978 Kavalaris .
- D. 254,767 4/1980 Christen, Jr. .
- D. 254,770 4/1980 Christen, Jr. .
- 4,223,936 9/1980 Jorgensen 294/16
- 4,955,971 9/1990 Goulter 294/7

Primary Examiner—Terry A. Wallace
Attorney, Agent, or Firm—Reising, Ethington, Barnard, Perry & Milton

[57] **CLAIM**

The ornamental design for a barbecue tongs, as shown and described.

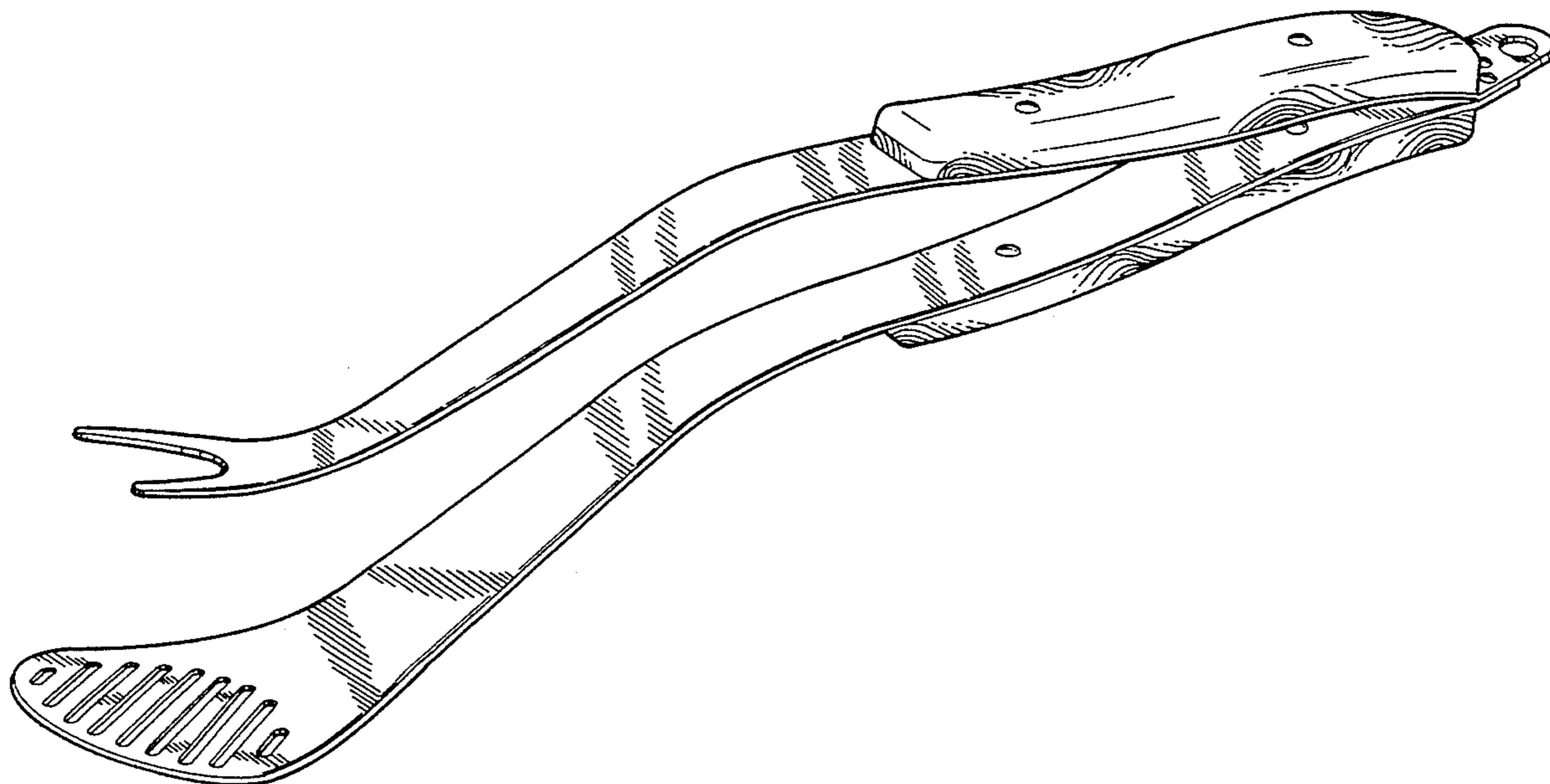
DESCRIPTION

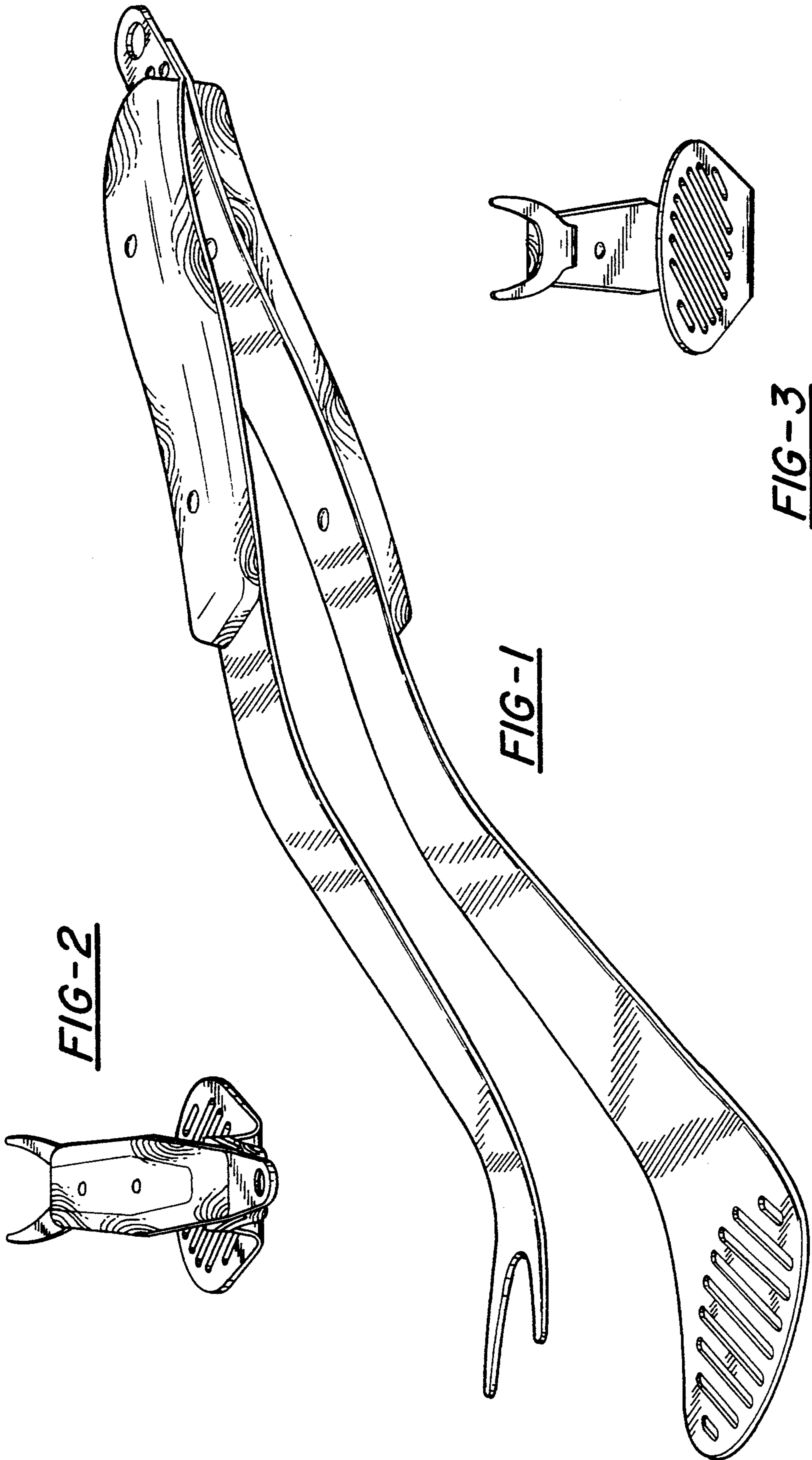
FIG. 1 is a perspective view of a barbecue tongs embodying my new design;
 FIG. 2 is a rear elevational view thereof;
 FIG. 3 is a front elevational view thereof;
 FIG. 4 is a top plan view thereof;
 FIG. 5 is a side elevational view thereof; and,
 FIG. 6 is a bottom plan view thereof.

[56] **References Cited**

U.S. PATENT DOCUMENTS

- D. 169,412 12/1952 Bordelon .
- D. 187,937 5/1960 Polk **D7/686**
- D. 193,440 8/1962 Vernon **D7/686**
- D. 211,819 7/1968 Connor et al. .





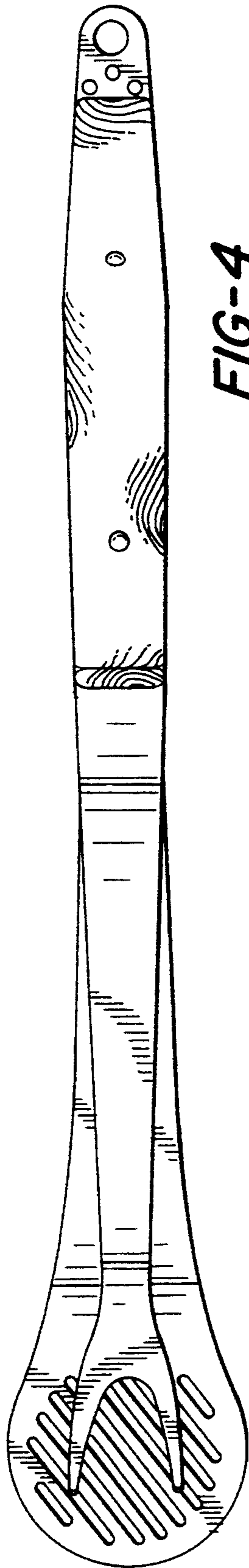


FIG-4

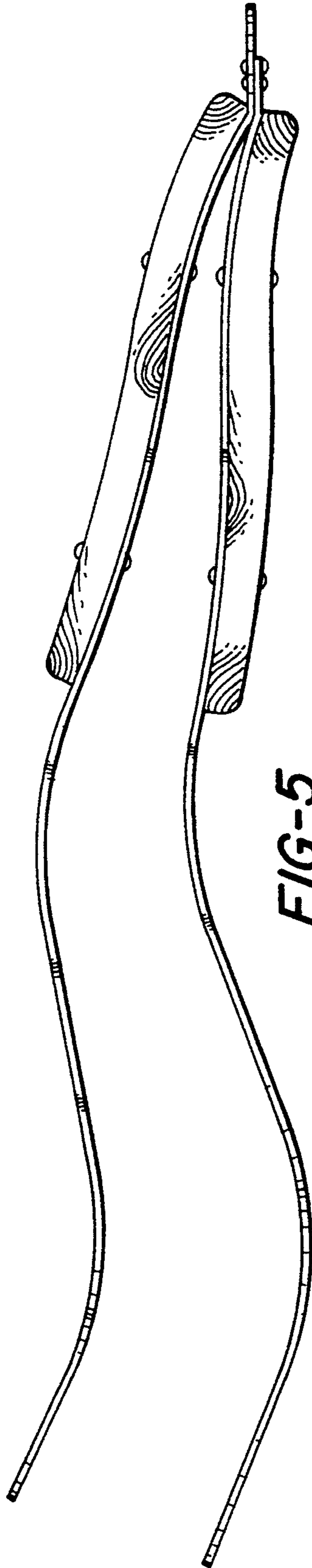


FIG-5

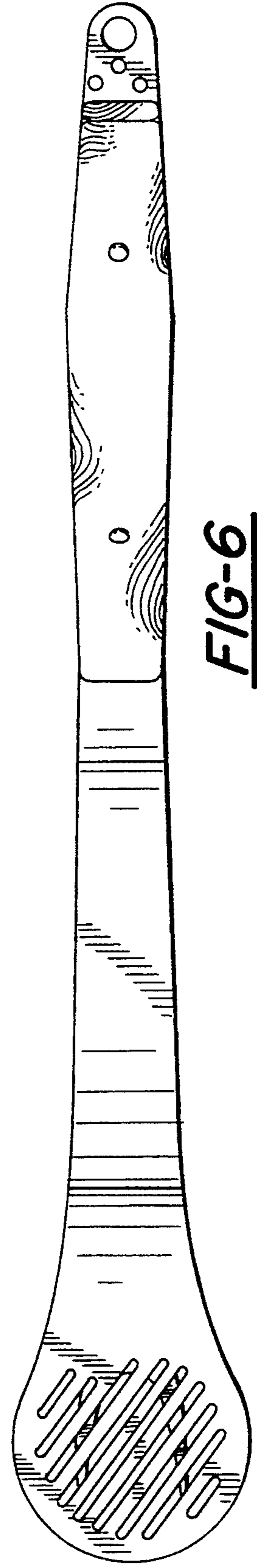


FIG-6