



US00D351533S

United States Patent [19]

[11] Patent Number: **Des. 351,533**

Lynam, Jr.

[45] Date of Patent: **** Oct. 18, 1994**

[54] **COOLER FOR GOLFERS**

4,946,032 8/1990 Stoddard 62/372
5,007,250 4/1991 Musielak 62/372

[76] Inventor: **Clifton C. Lynam, Jr.**, 725 N. Beadle St., Papillion, Nebr. 68046

Primary Examiner—Terry A. Wallace
Attorney, Agent, or Firm—Terry M. Gernstein

[**] Term: **14 Years**

[57] CLAIM

[21] Appl. No.: **8,519**

The ornamental design for a cooler for golfers, as shown and described.

[22] Filed: **May 19, 1993**

[52] U.S. Cl. **D7/605**

DESCRIPTION

[58] Field of Search D3/273, 276, 281-282, D3/291; D7/605-608; 62/371-372, 457.5, 457.7; 206/315.2, 315.5, 223, 541, 545, 546, 549; 220/DIG. 10

FIG. 1 is a front, top and side perspective view of the cooler for golfers showing my new design in the open condition;

FIG. 2 is a front elevational view thereof;

FIG. 3 is a rear elevational view thereof;

FIG. 4 is a side elevational view thereof;

FIG. 5 is a side elevational view thereof;

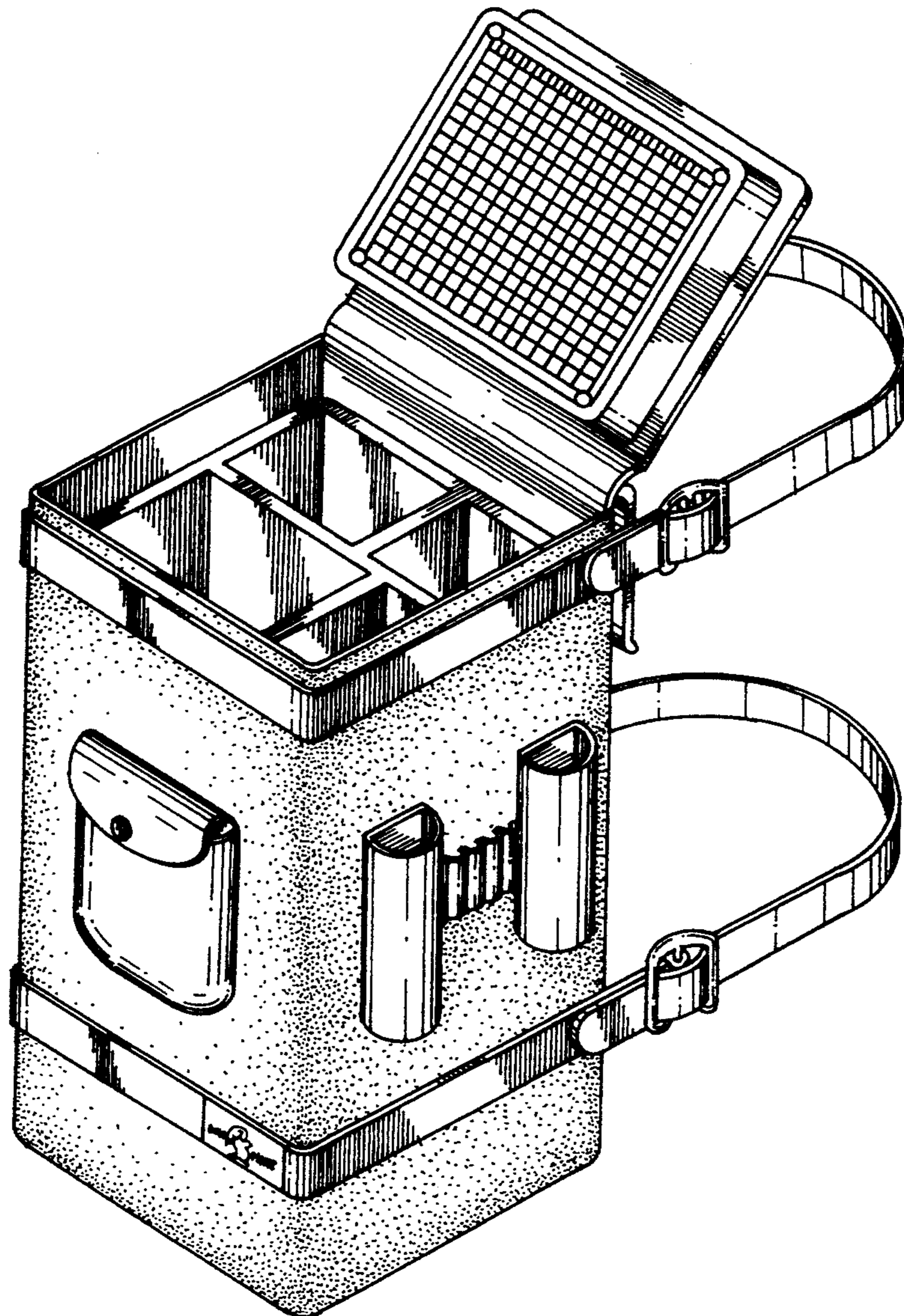
FIG. 6 is a top plan view thereof; and,

FIG. 7 is a bottom plan view thereof.

[56] References Cited

U.S. PATENT DOCUMENTS

D. 336,218 6/1993 Hagne D7/607 X
4,924,682 5/1990 Penner 62/372



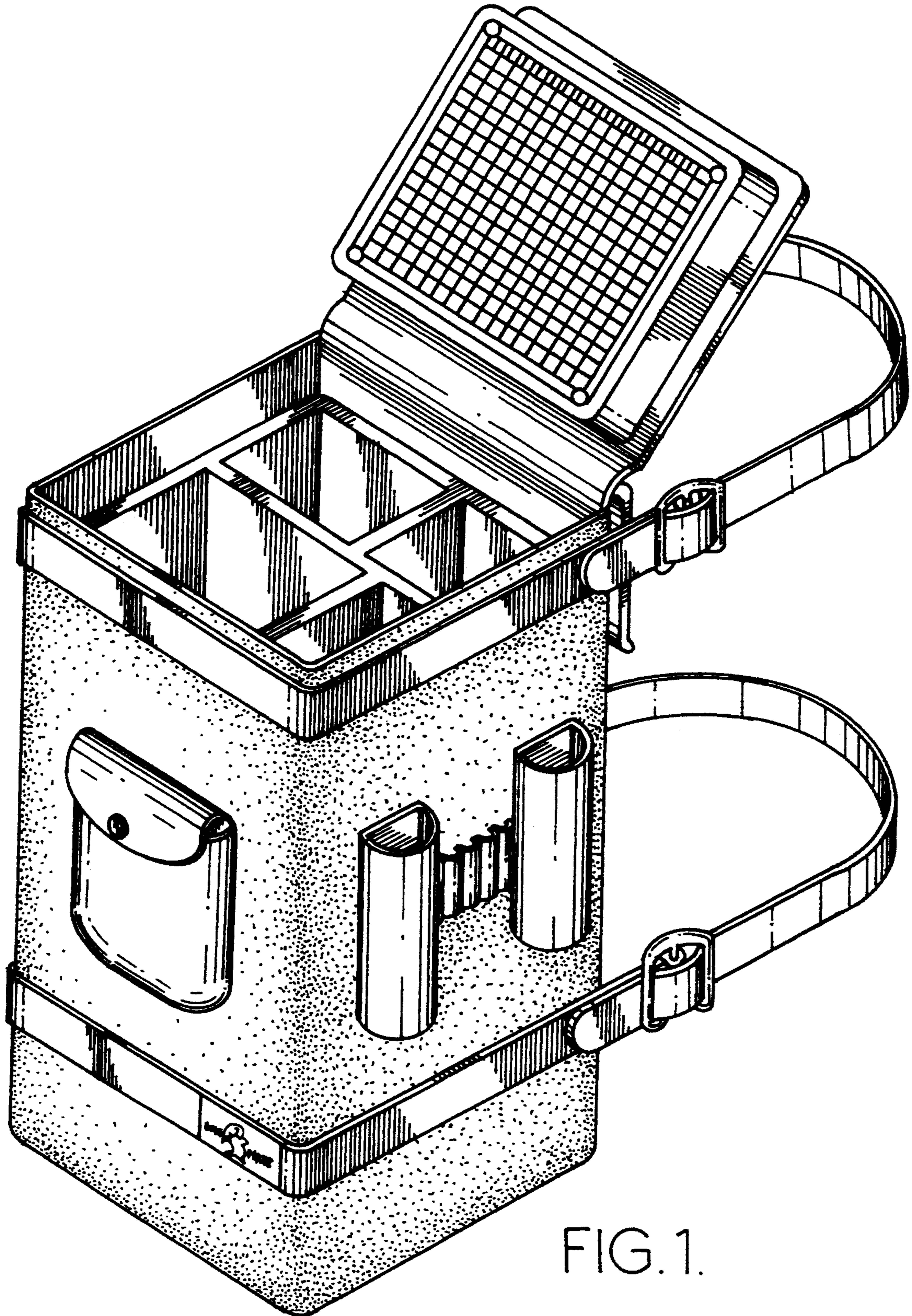


FIG. 1.

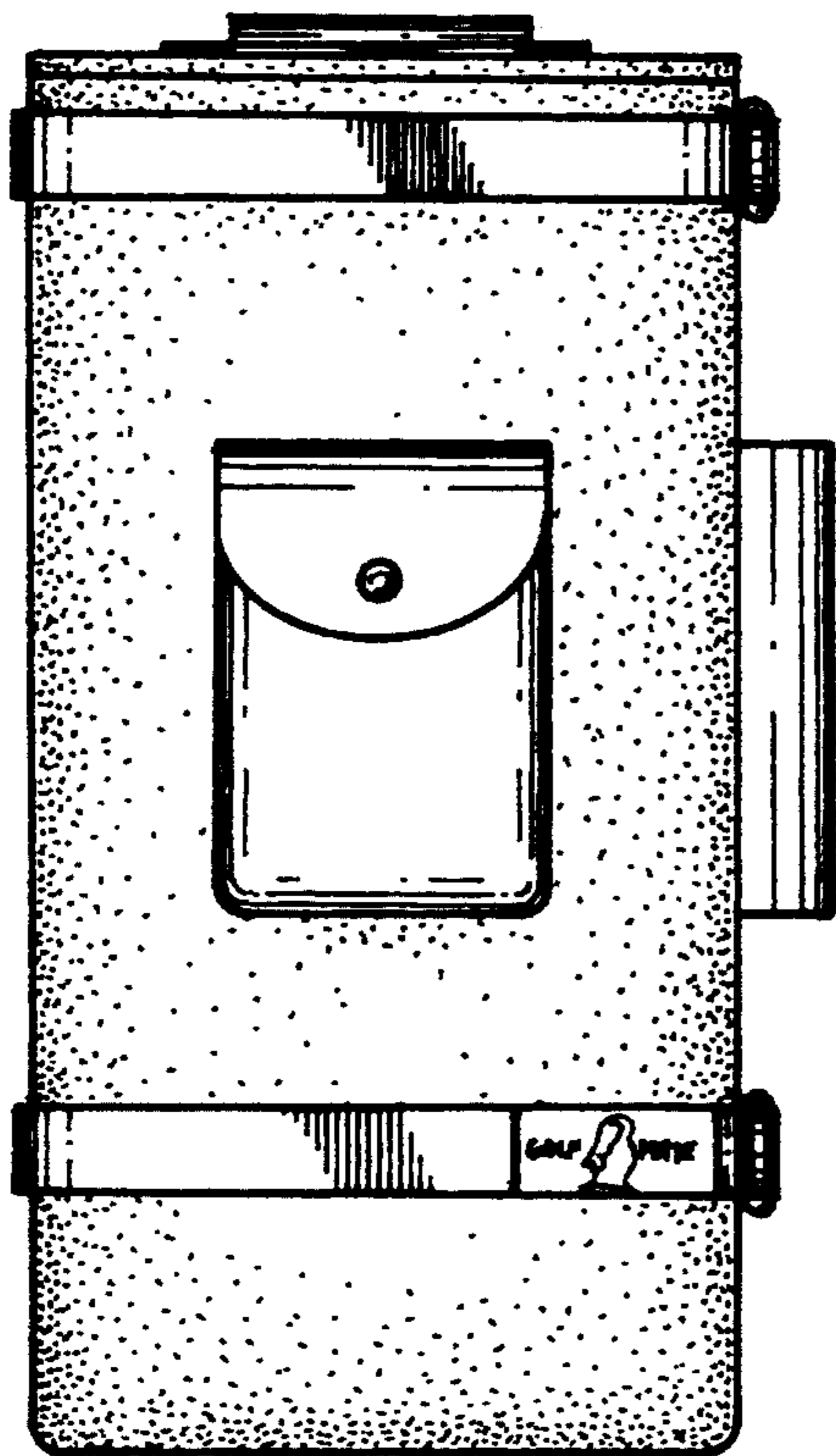


FIG. 2.

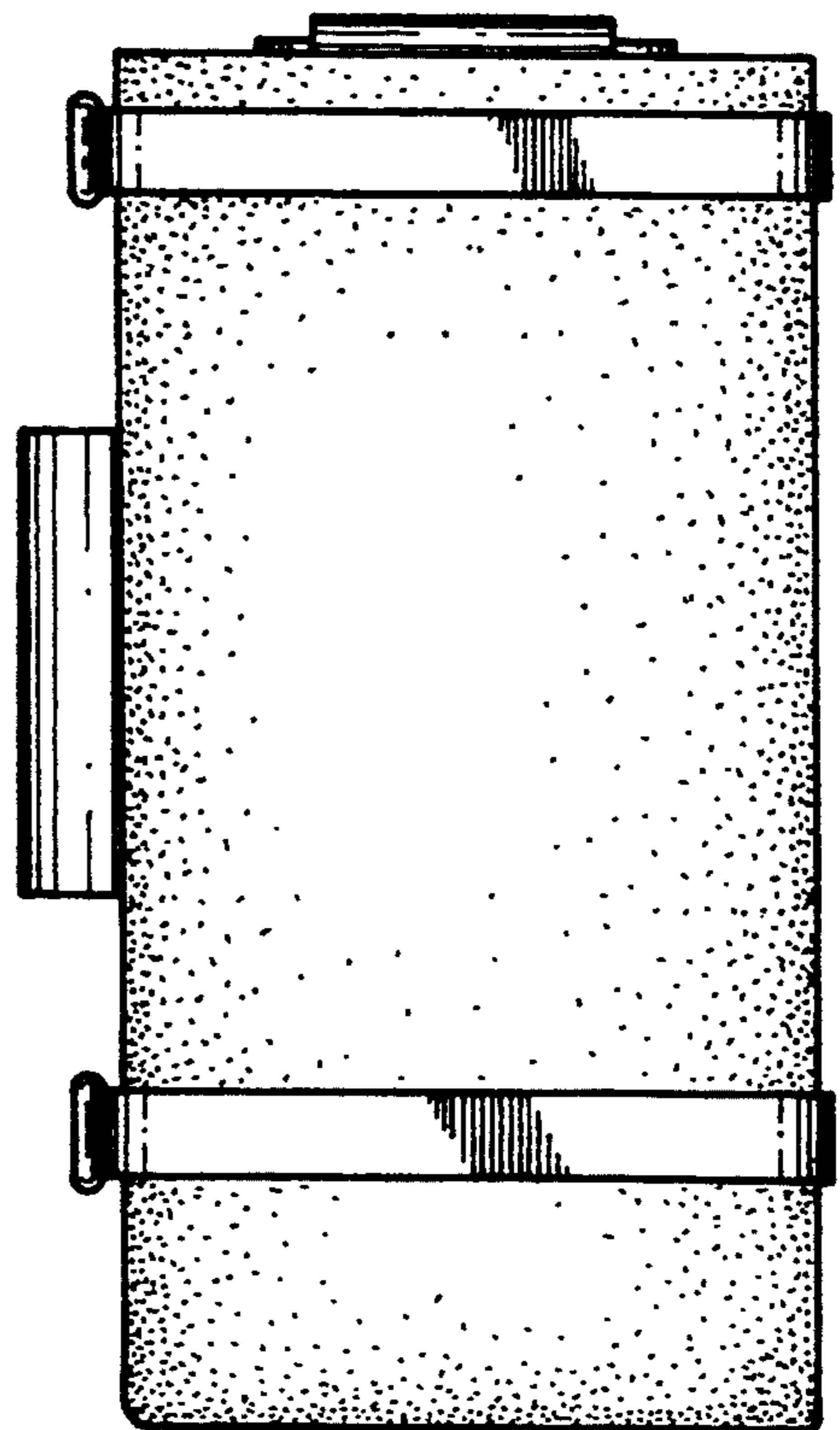


FIG. 3.

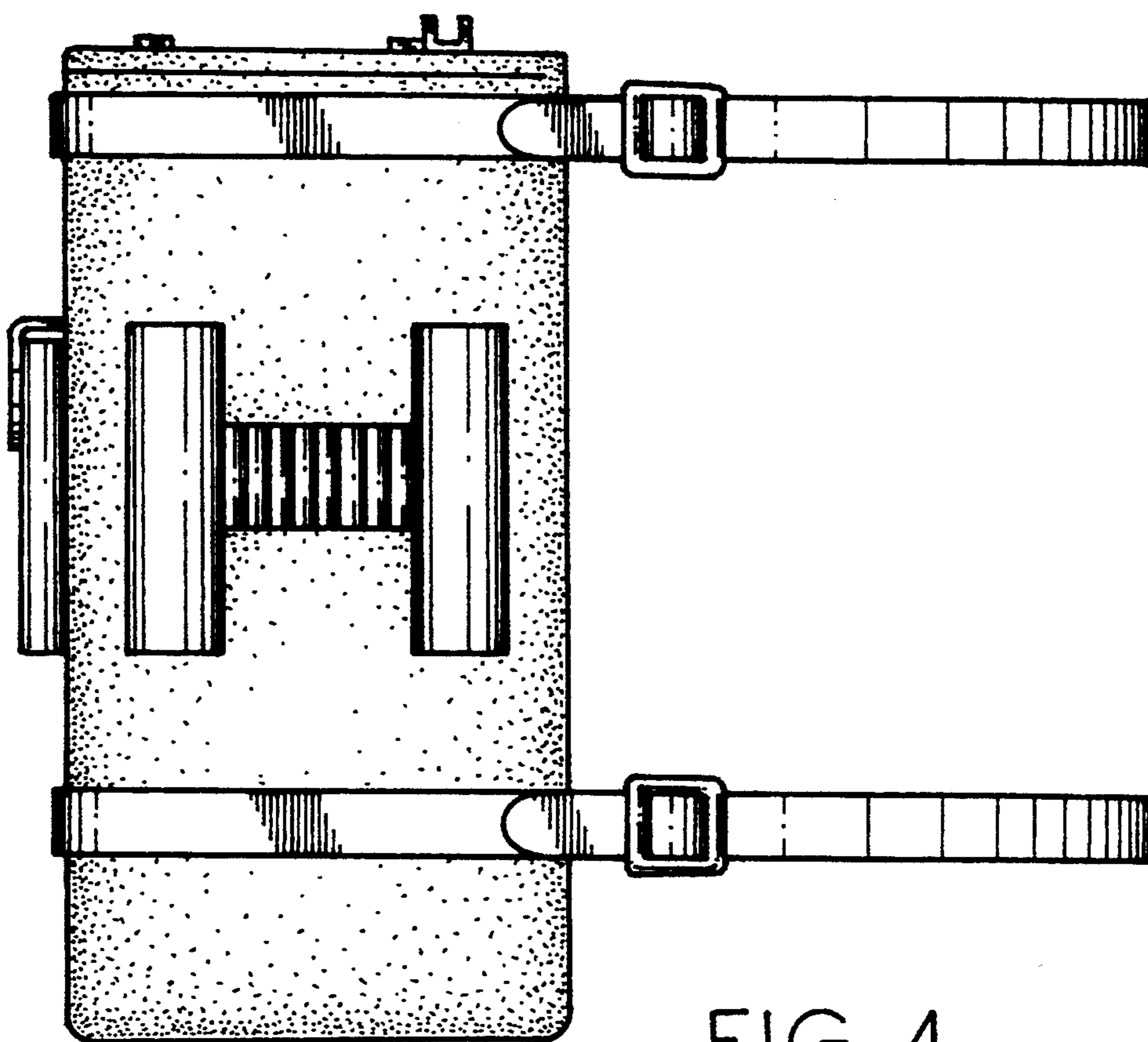


FIG. 4.

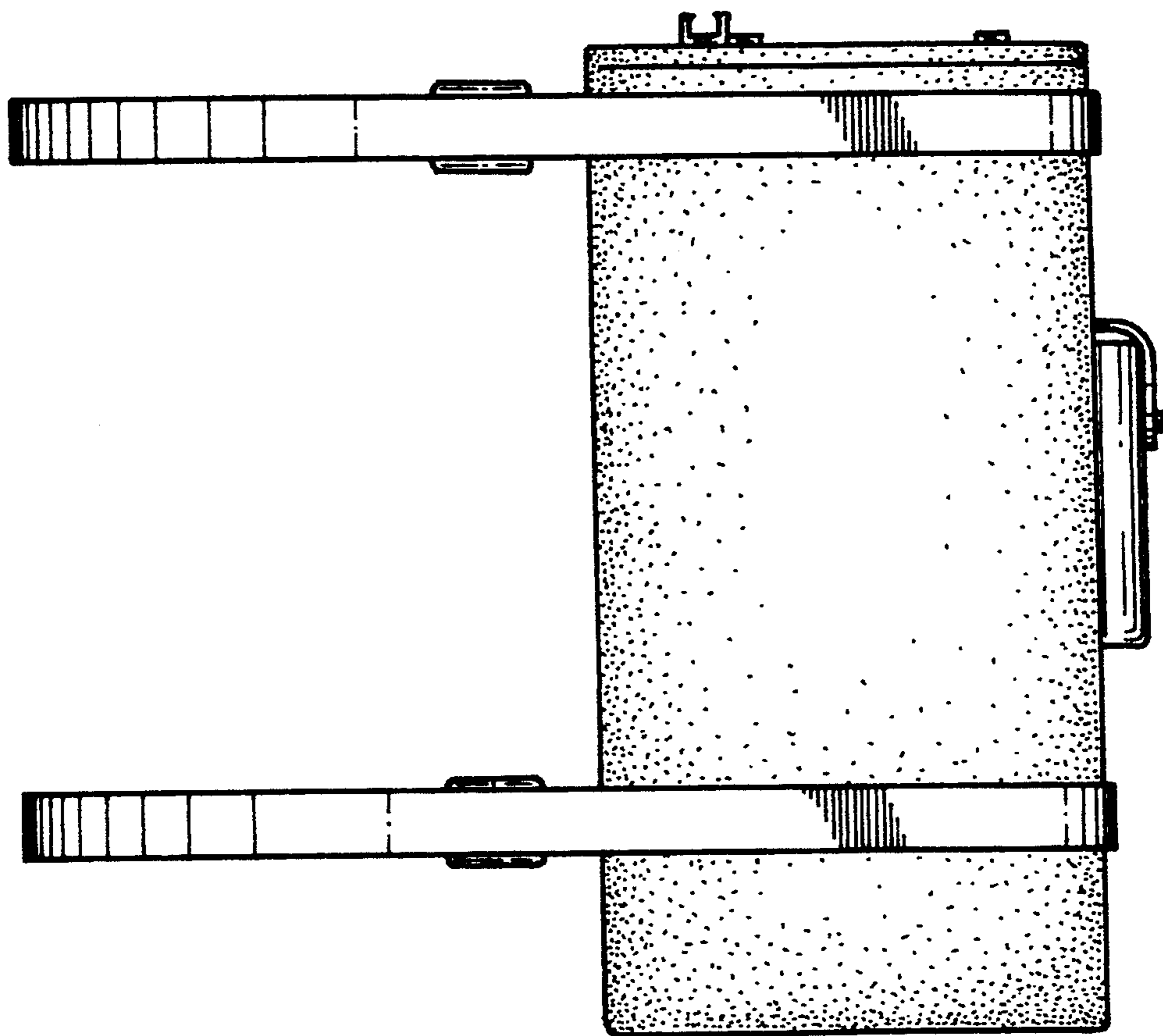


FIG. 5.

FIG. 6.

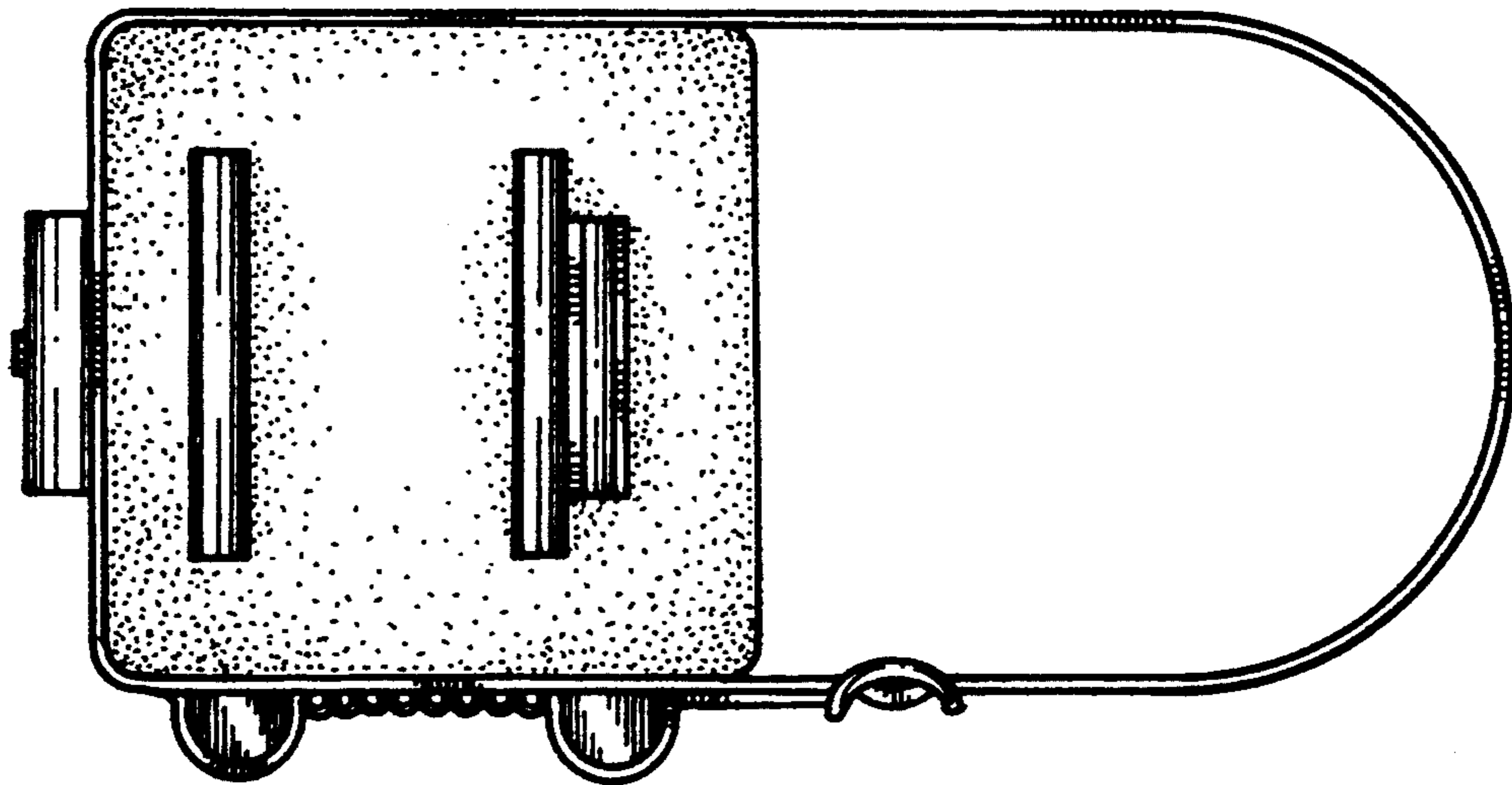


FIG. 7.

