



US00D351529S

# United States Patent [19]

Scott, Jr.

[11] Patent Number: **Des. 351,529**

[45] Date of Patent: **\*\* Oct. 18, 1994**

[54] **BREWING BLOWOUT TUBE**

[76] Inventor: **Walter T. Scott, Jr.**, 7708 Casasia Ct., Orlando, Fla. 32835

[\*\*] Term: **14 Years**

[21] Appl. No.: **530**

[22] Filed: **Oct. 16, 1992**

[52] U.S. Cl. .... **D7/398; D7/387**

[58] Field of Search ..... **D7/510, 511, 300.2, D7/301, 398, 302, 397, 213; 426/330, 330.4, 11, 15; 99/276, 275; D24/108, 111, 112; D23/259, 266, 260**

3,517,884 5/1985 Jandrich ..... 99/276  
 3,528,817 9/1970 Barrett et al. .... 426/15  
 4,065,107 12/1977 Van Horbek ..... D7/300.2 X  
 4,218,964 8/1980 Beadle ..... 99/275  
 4,477,477 10/1984 Arter ..... 426/330.4  
 4,658,990 4/1987 Ramage ..... D7/300.2 X

*Primary Examiner*—Alan P. Douglas  
*Assistant Examiner*—Marianne N. Pandozzi  
*Attorney, Agent, or Firm*—William M. Hobby, III

### [57] CLAIM

The ornamental design for a brewing blowout tube, design as shown.

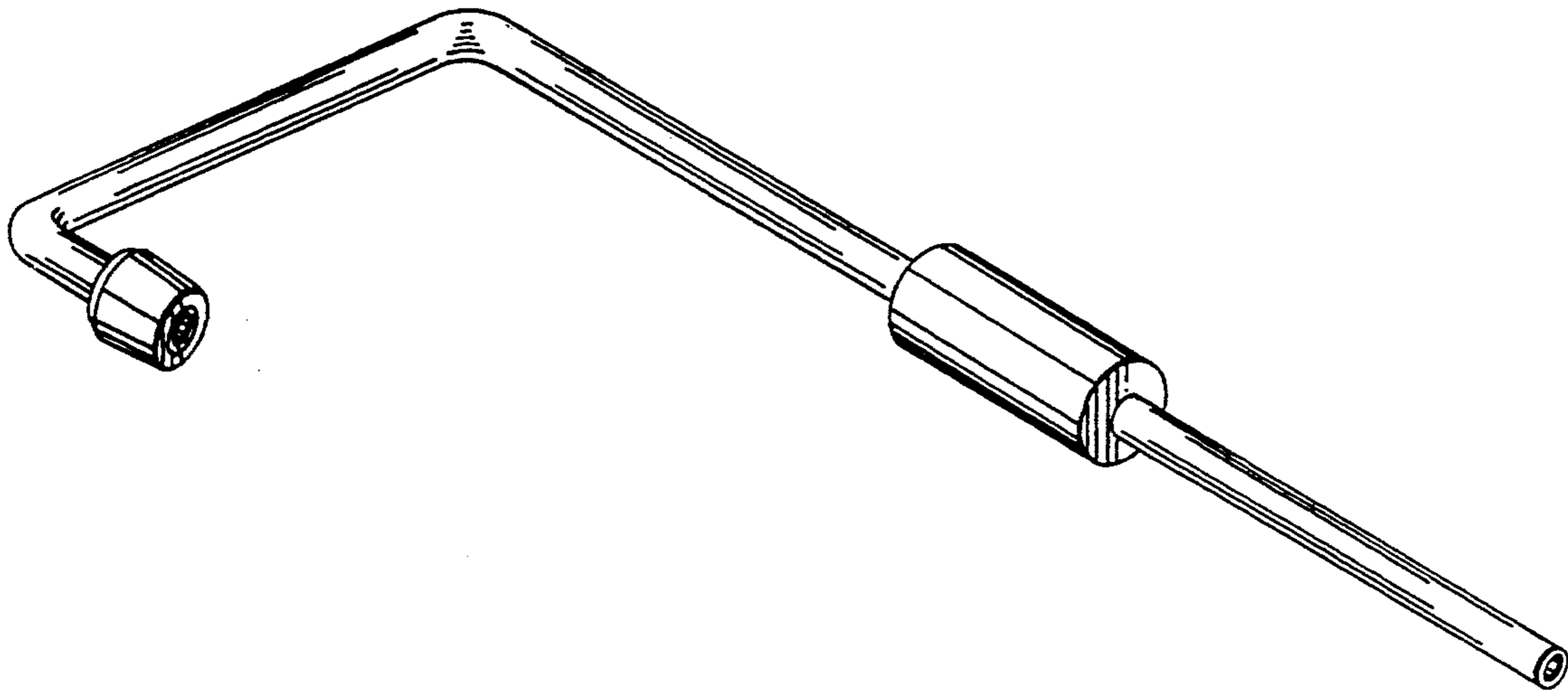
### DESCRIPTION

FIG. 1 is a perspective view of my new brewing blow-out tube;  
 FIG. 2 is a side elevation;  
 FIG. 3 is a rear side elevation;  
 FIG. 4 is a front elevation;  
 FIG. 5 is a top plan view; and,  
 FIG. 6 is a bottom plan view.

[56] **References Cited**

**U.S. PATENT DOCUMENTS**

D. 303,197 9/1989 Turner, Jr. et al. .... D7/300.2  
 D. 331,348 12/1992 Park ..... D7/300.2 X  
 D. 331,858 12/1992 Erway ..... D7/398 X  
 D. 336,043 6/1993 Provencio ..... D7/511 X



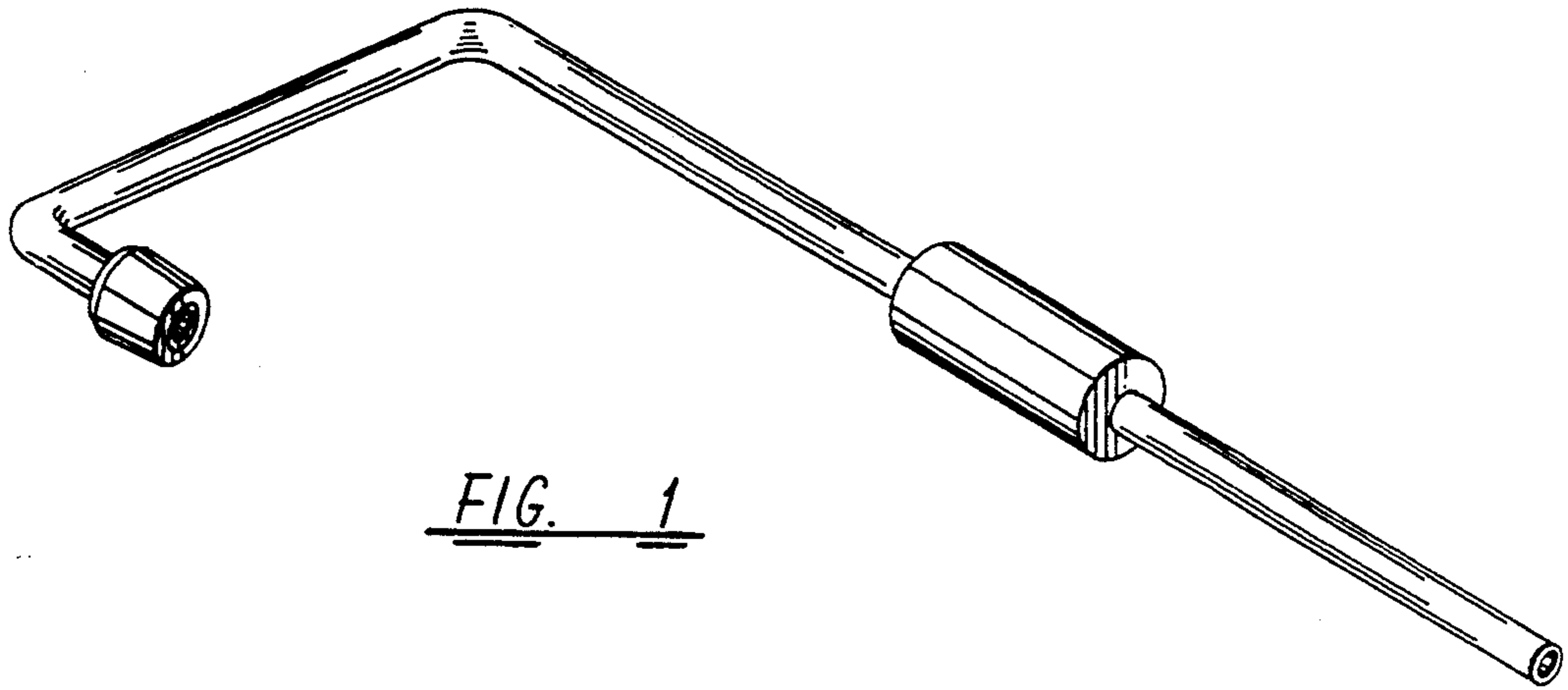


FIG. 1

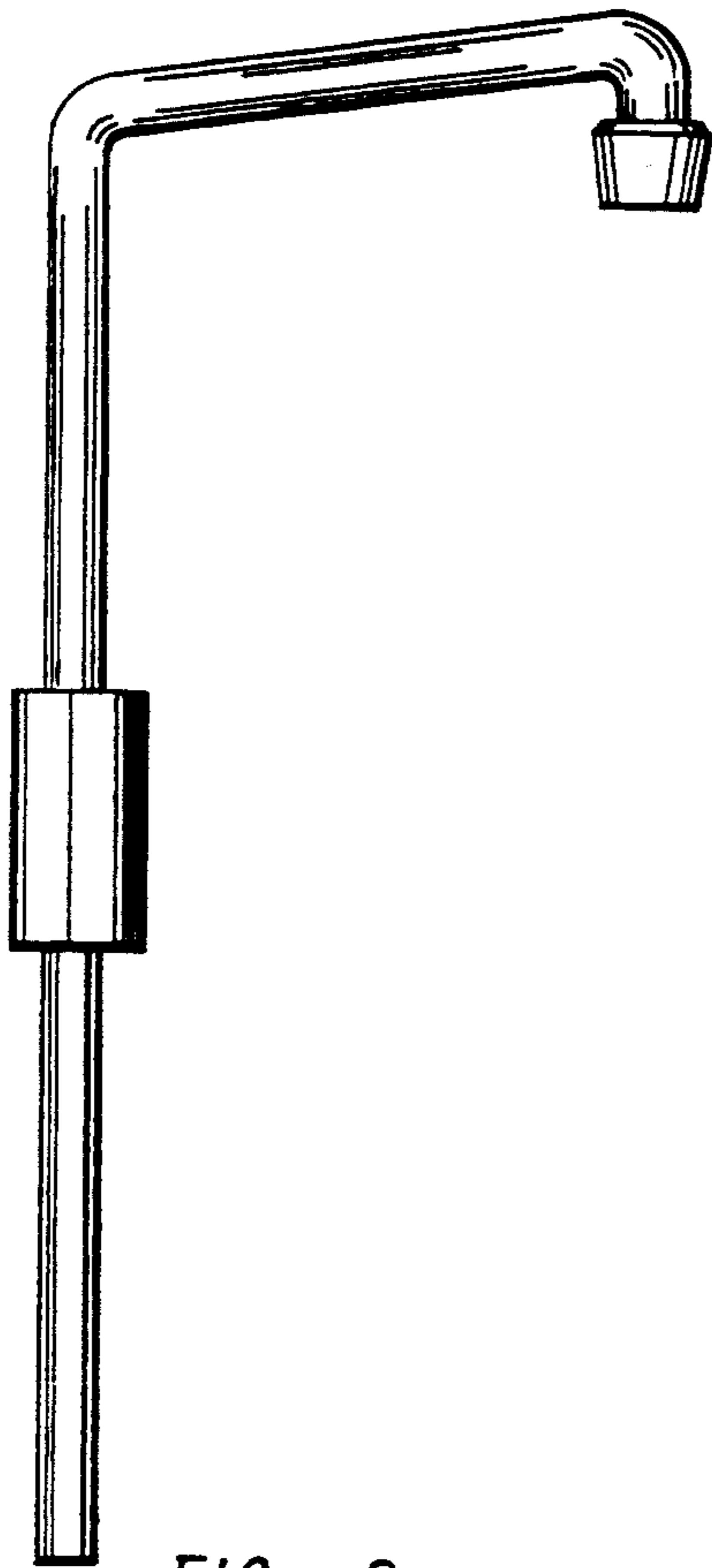


FIG. 2



FIG. 3



FIG. 4

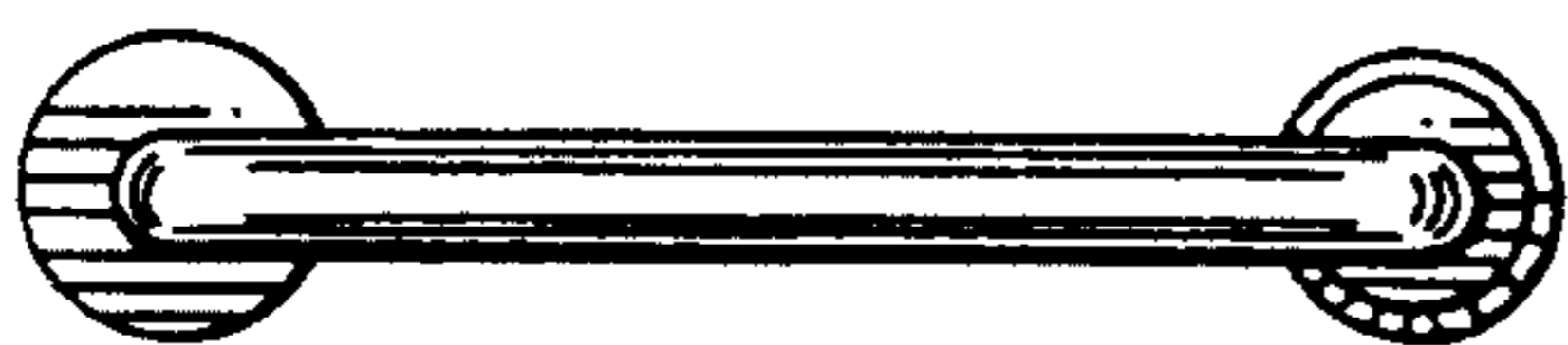


FIG. 5

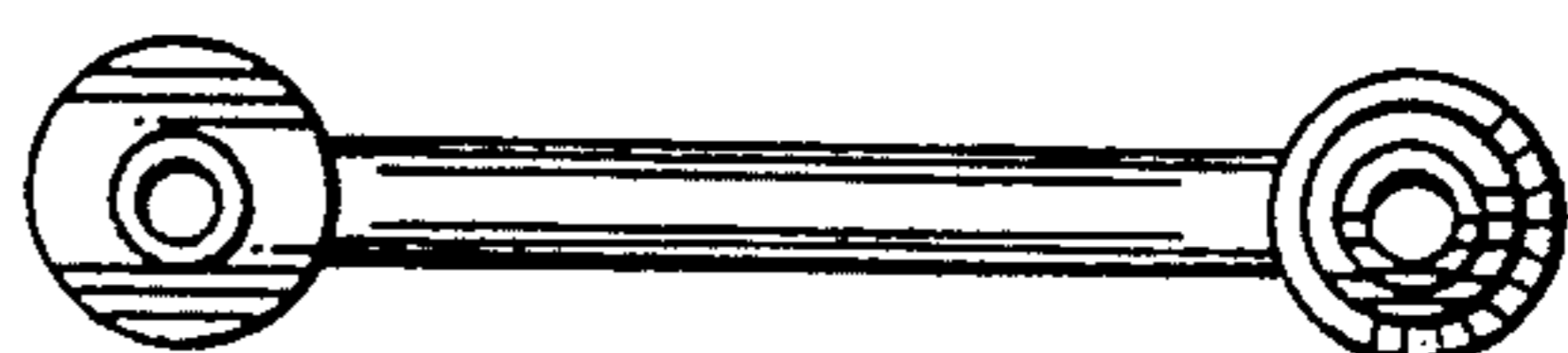


FIG. 6