



US00D351527S

United States Patent [19]

[11] Patent Number: **Des. 351,527**

Baca et al.

[45] Date of Patent: **** Oct. 18, 1994**

[54] **BOARD FOR SUPPORTING REMOTE CONTROLS**

4,712,693	12/1987	Striplin	211/164
4,856,658	8/1989	Novak	211/13
4,911,389	3/1990	Self	248/146

[76] Inventors: **Arthur A. Baca**, 304 S. 7th St.;
Richard Bond, 307 E. Mesa, both of,
Gallup, N. Mex. 87301

Primary Examiner—Alan P. Douglas
Assistant Examiner—S. Snapp
Attorney, Agent, or Firm—Terry M. Gernstein

[**] Term: **14 Years**

[57] **CLAIM**

[21] Appl. No.: **565**

The ornamental design for a board for supporting remote controls, as shown and described.

[22] Filed: **Oct. 19, 1992**

DESCRIPTION

[52] U.S. Cl. **D6/467**

[58] Field of Search **D6/464-470,**
D6/474-476; D9/414, 415, 418, 456, 457;
D19/86

FIG. 1 is a front, top and end perspective view of the board for supporting remote controls showing our new design;

[56] References Cited

U.S. PATENT DOCUMENTS

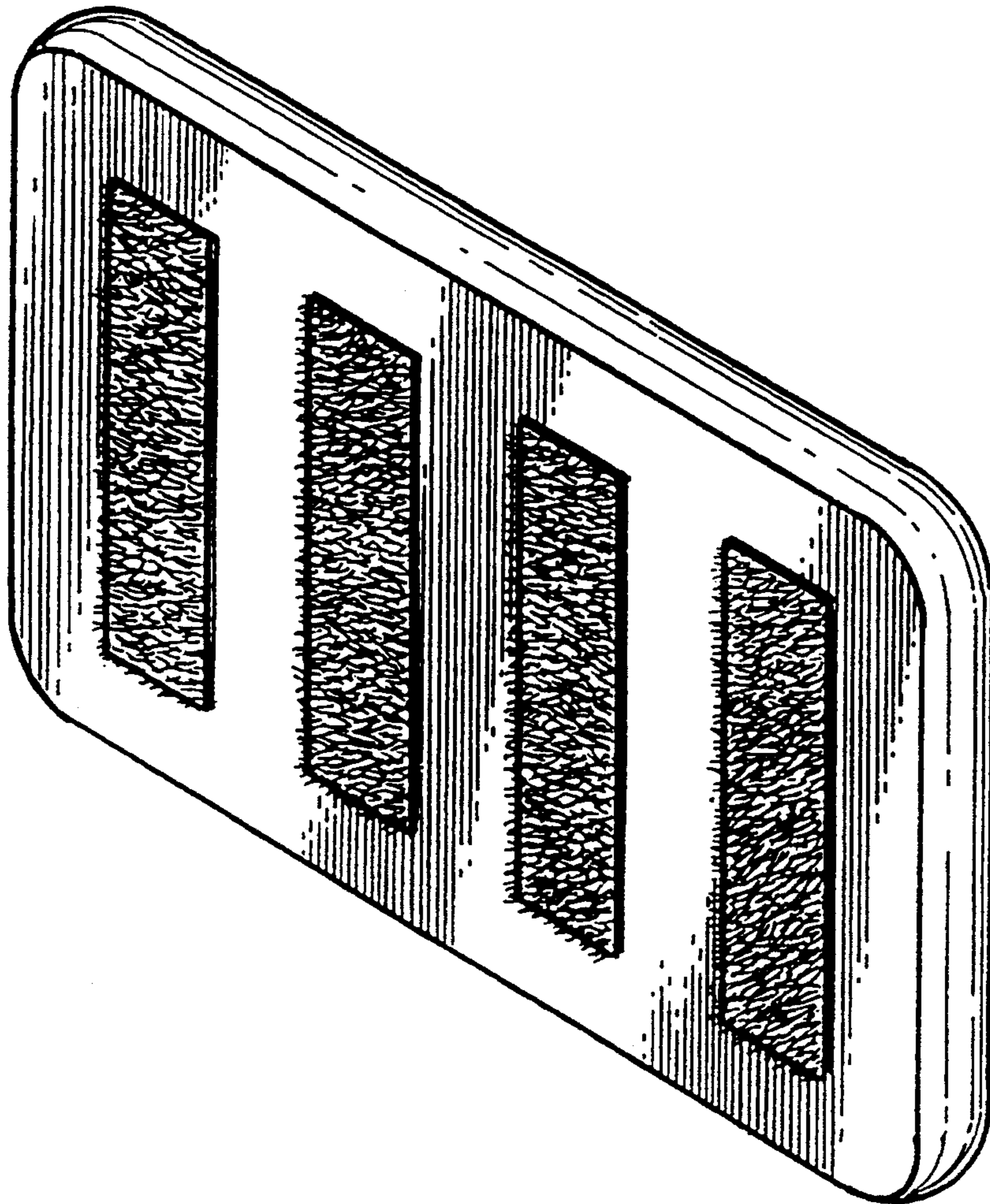
D. 310,243	8/1990	Evenson	D19/86 X
D. 326,196	5/1992	Shikoff et al.	D6/476
D. 330,817	11/1992	Lemire	D6/475 X
D. 331,162	11/1992	Lemire	D6/475 X

FIG. 2 is a front elevational view thereof;

FIG. 3 is a rear elevational view thereof;

FIG. 4 is an end elevational view thereof, the end opposite being a mirror image of the end shown in FIG. 4; and,

FIG. 5 is a top plan view thereof, the bottom view being a mirror image of the top view shown in FIG. 5.



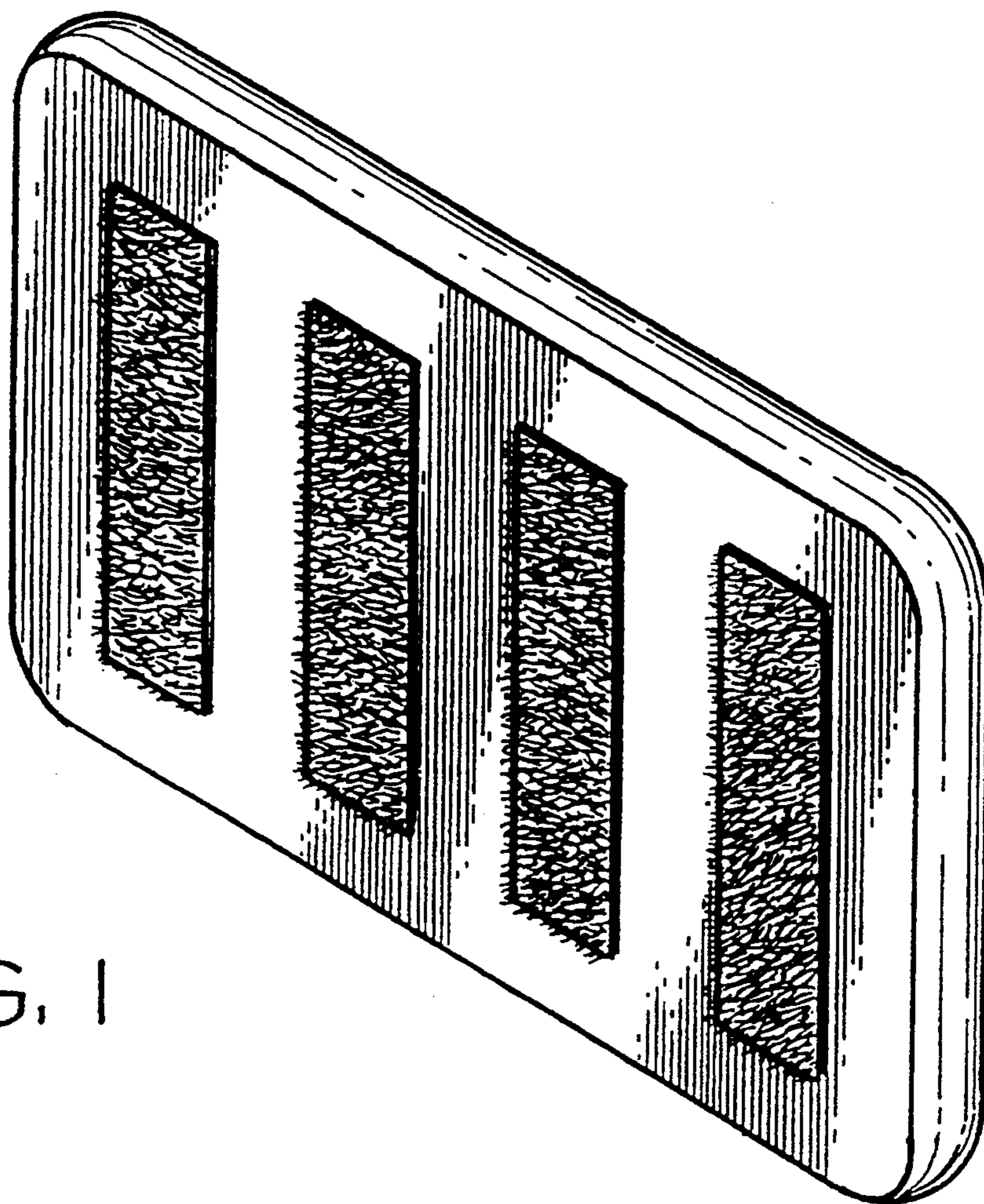


FIG. 1

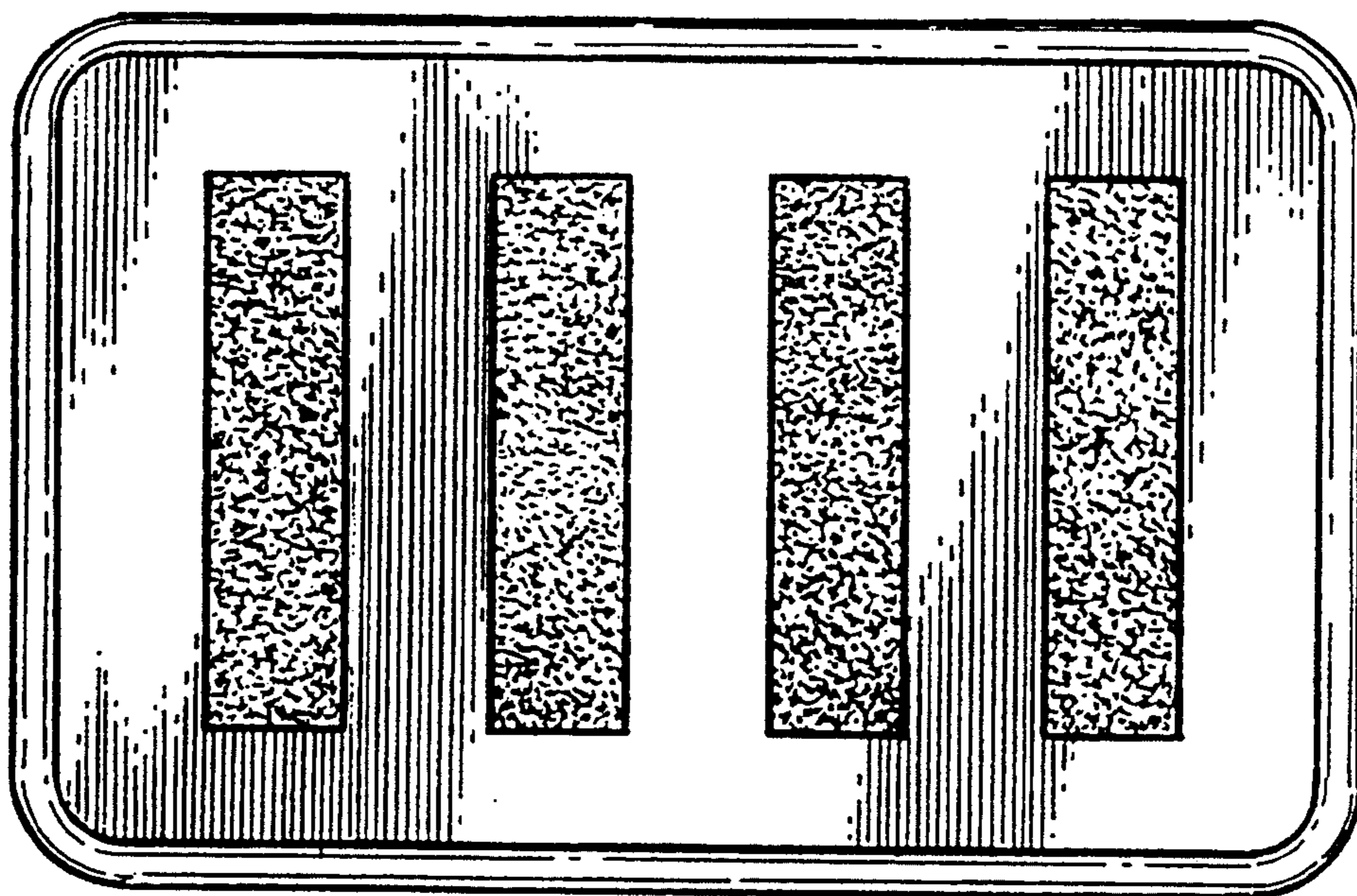


FIG. 2

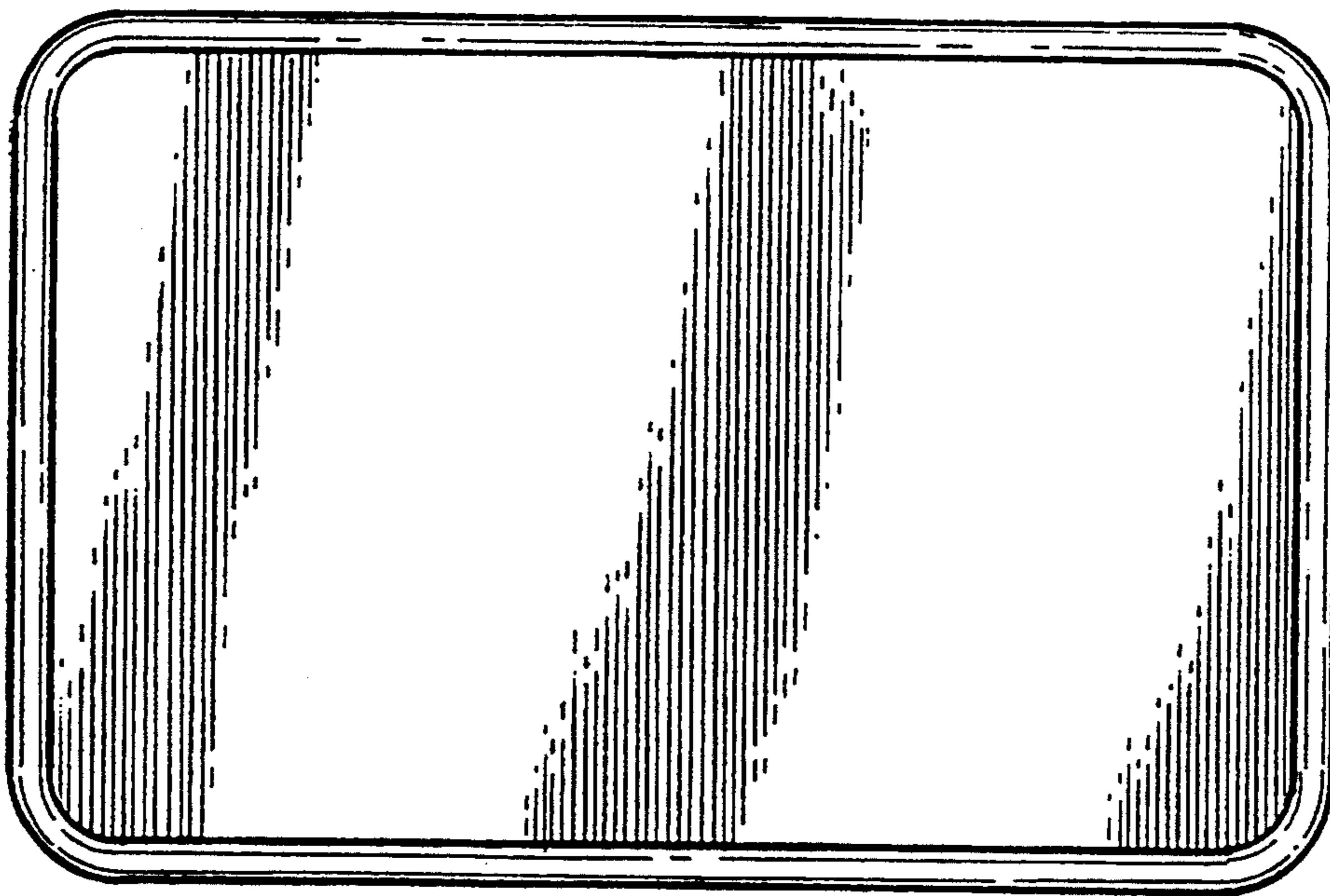


FIG. 3



FIG. 4

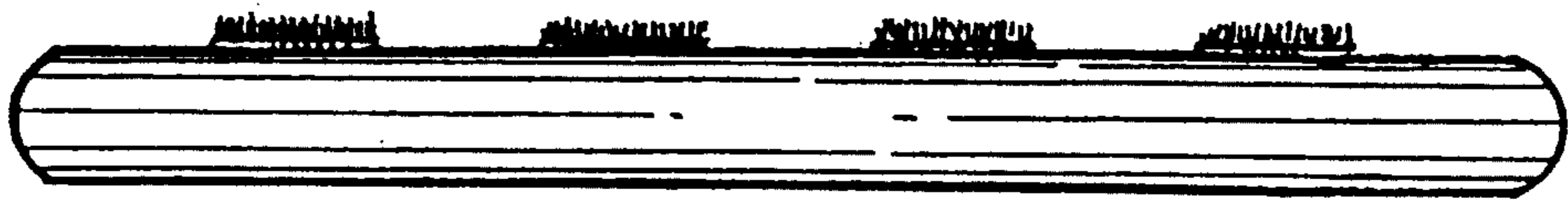


FIG. 5