



US00D351523S

United States Patent [19]

Rosenthal

[11] Patent Number: **Des. 351,523**

[45] Date of Patent: **** Oct. 18, 1994**

[54] DISPLAY RACK

[75] Inventor: **Gunter Rosenthal**, St-Benoit, Canada

[73] Assignee: **G. Rosenthal Import Ltd.**, Montreal, Canada

[**] Term: **14 Years**

[21] Appl. No.: **17,999**

[22] Filed: **Jan. 27, 1994**

[30] **Foreign Application Priority Data**

Dec. 20, 1991 [CA] Canada 20129113
 [52] U.S. Cl. **D6/566**
 [58] Field of Search D6/552, 566-567,
 D6/569-571; 211/13, 30, 32, 35, 59.2, 60.1,
 20.6, 86-87, 113, 123; 248/251, 302, 317

[56] **References Cited**

U.S. PATENT DOCUMENTS

D. 214,219	5/1969	Swartz	D6/566
D. 242,888	1/1977	Mazie et al.	D6/566
D. 298,713	11/1988	Hinderaker et al.	D6/566 X
4,072,246	2/1978	Paulin	211/70.6
4,723,663	2/1988	Learn	211/70.6

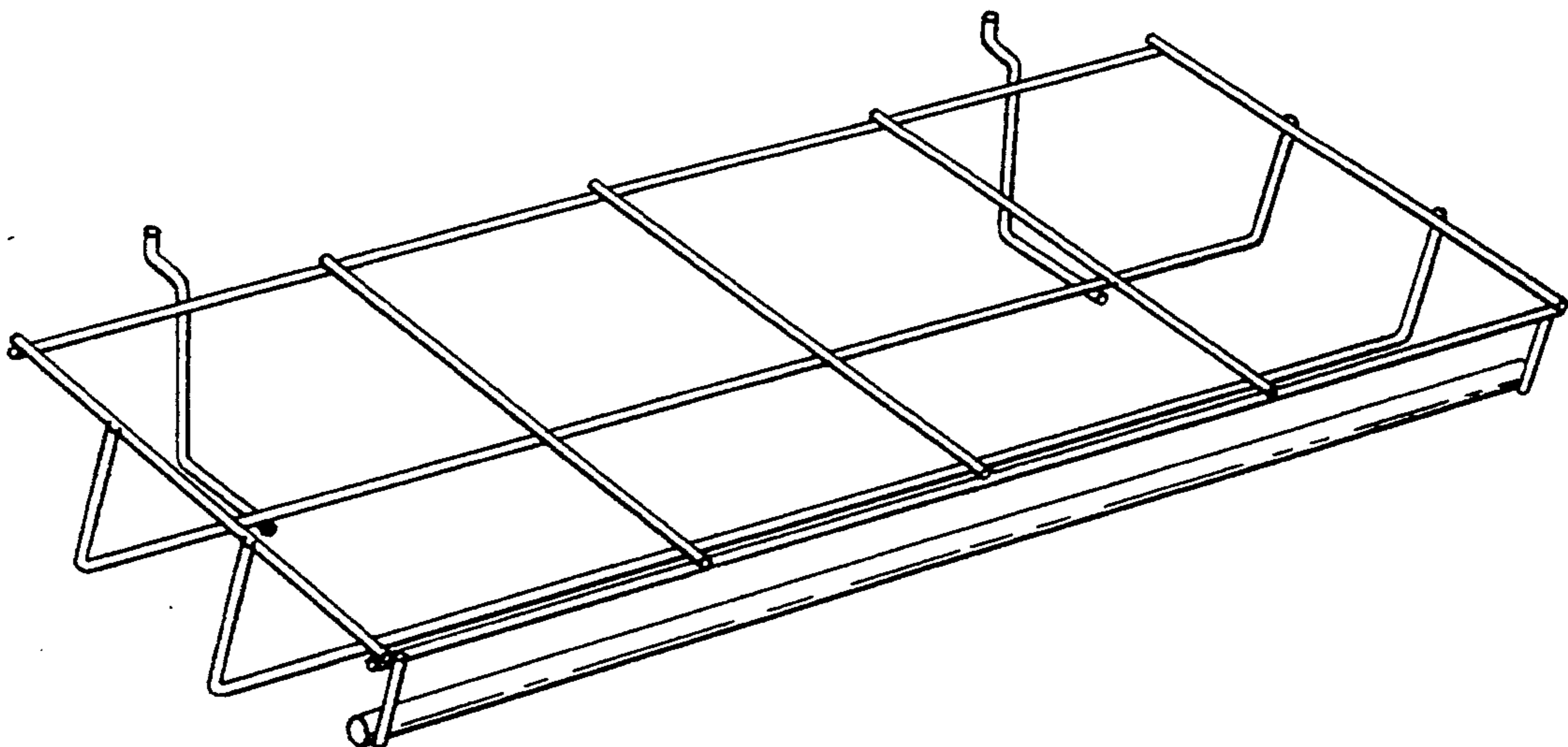
Primary Examiner—Brian N. Vinson
Attorney, Agent, or Firm—Samuel Meerkreebs

[57] **CLAIM**

The ornamental design for a display rack, as shown and described.

DESCRIPTION

FIG. 1 is a top, front, and left side perspective view of a display rack showing my new design;
 FIG. 2 is an enlarged top plan view thereof;
 FIG. 3 is an enlarged left side elevation view thereof, the right side being a mirror image of that shown;
 FIG. 4 is an enlarged front elevation thereof;
 FIG. 5 is an enlarged rear elevation thereof; and,
 FIG. 6 is an enlarged bottom plan view thereof.



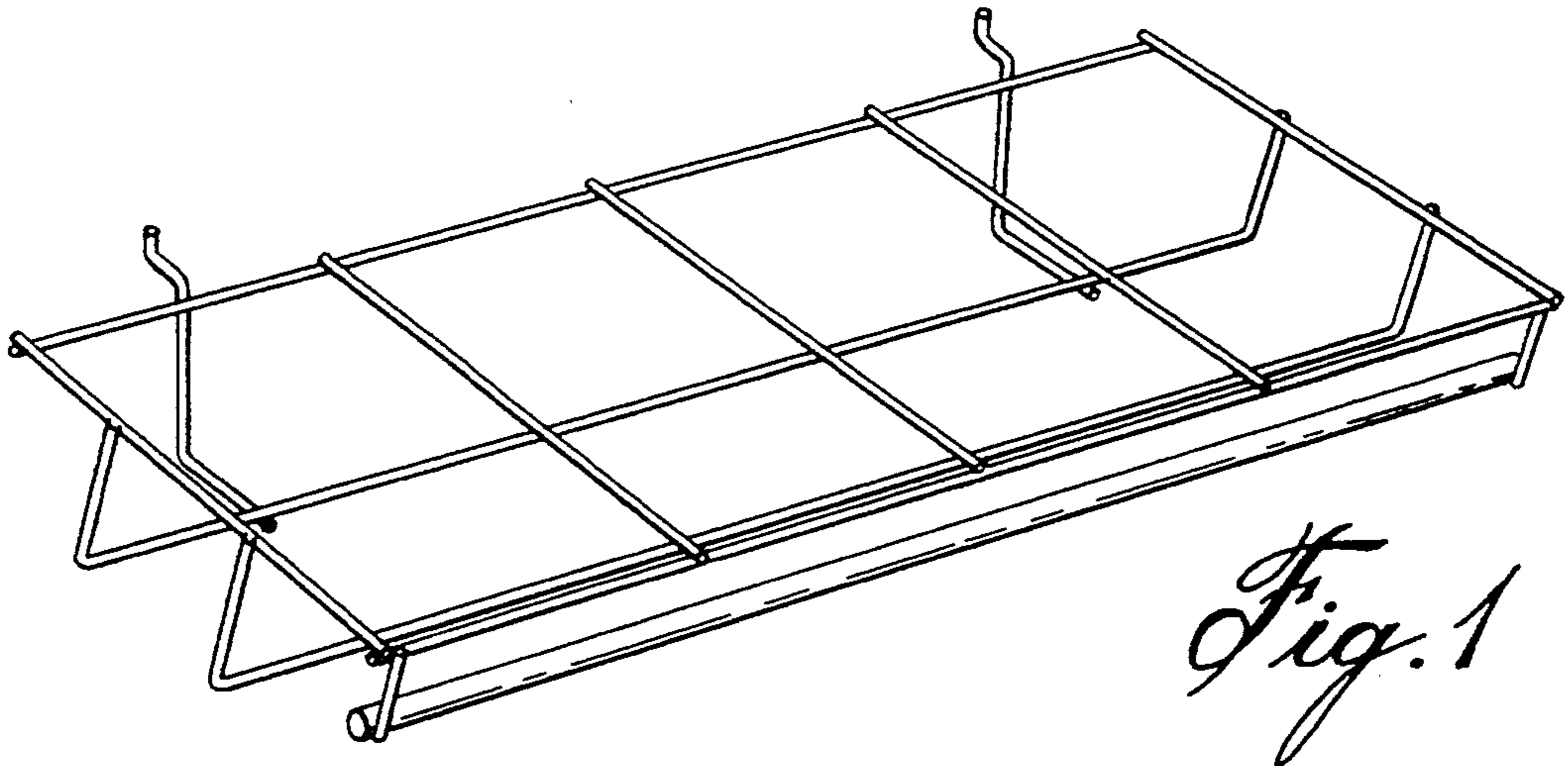


Fig. 1

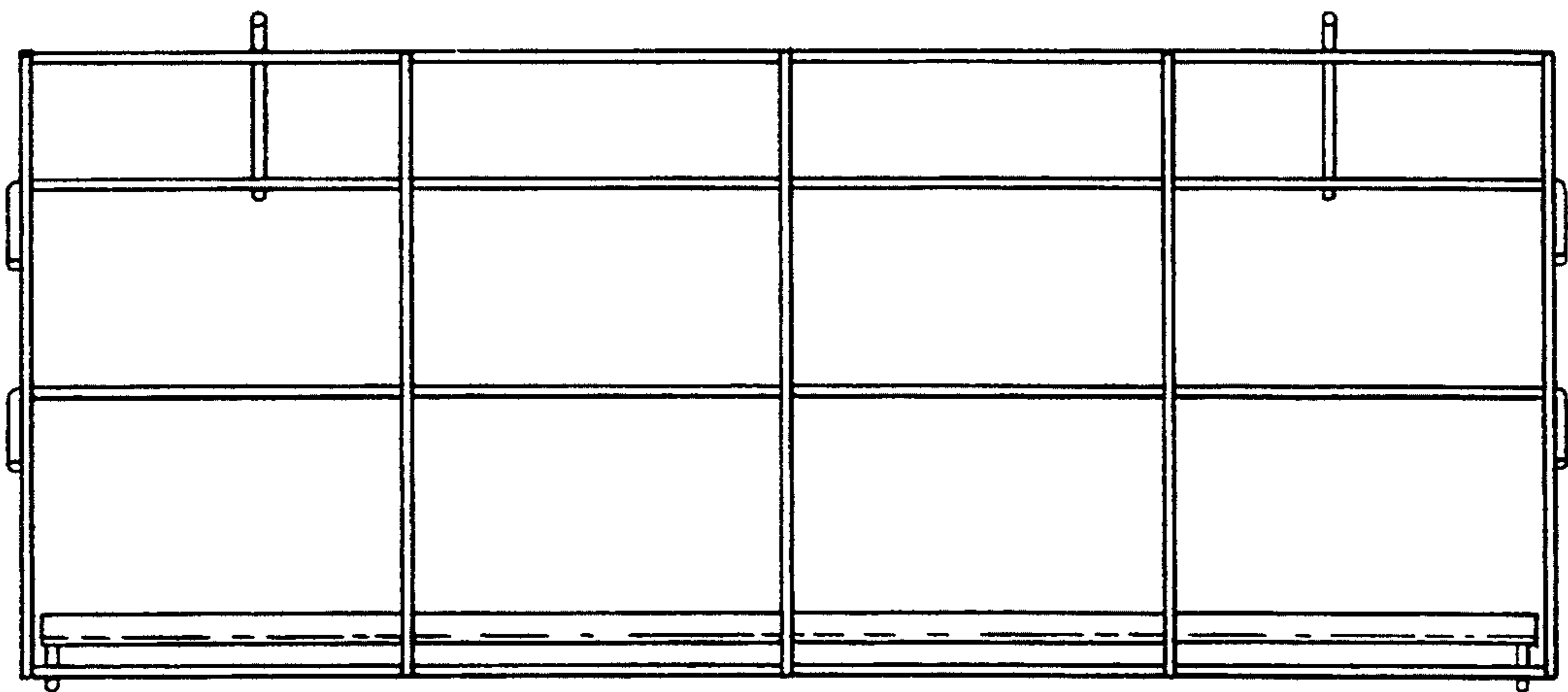


Fig. 2

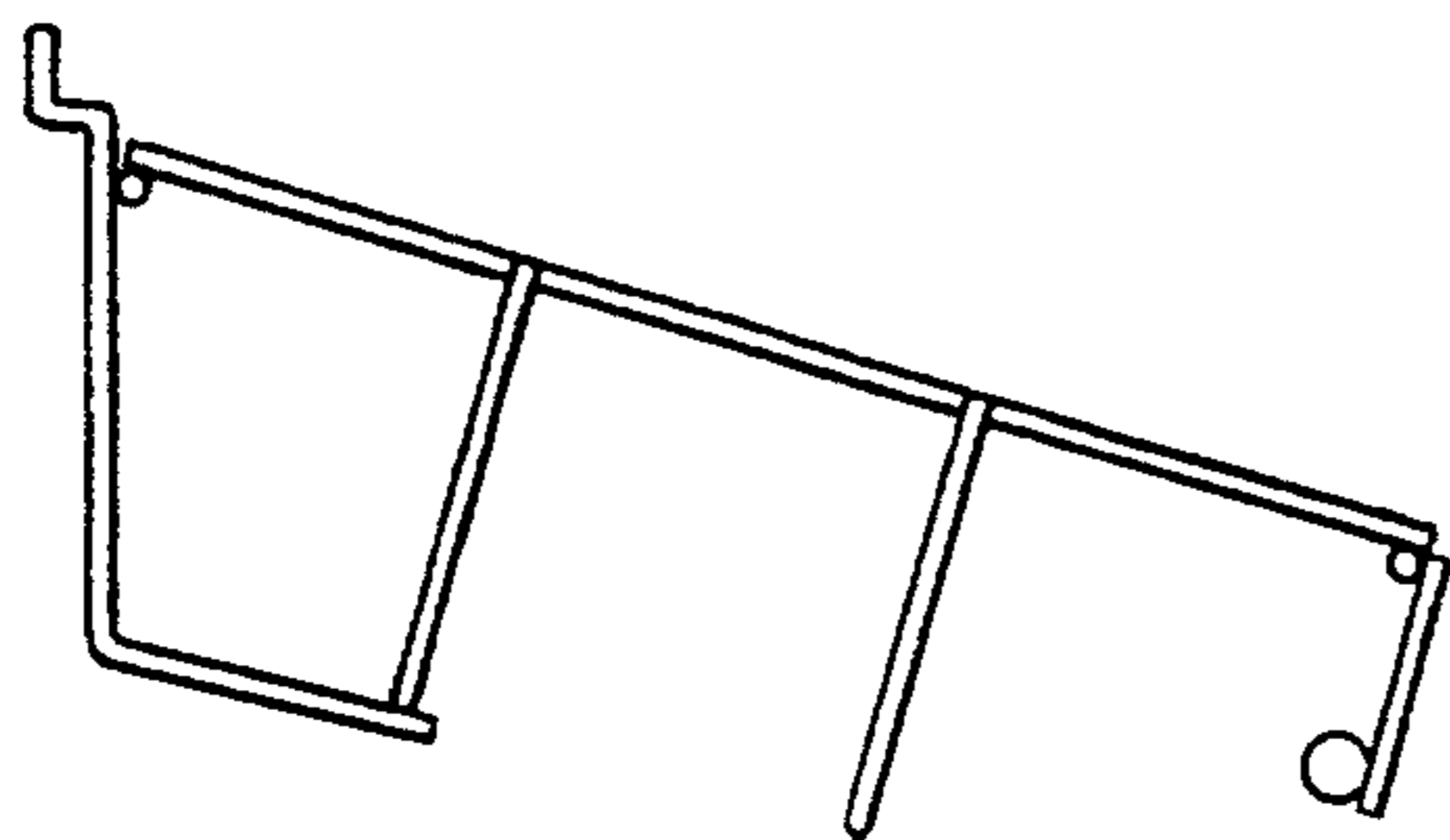


Fig. 3

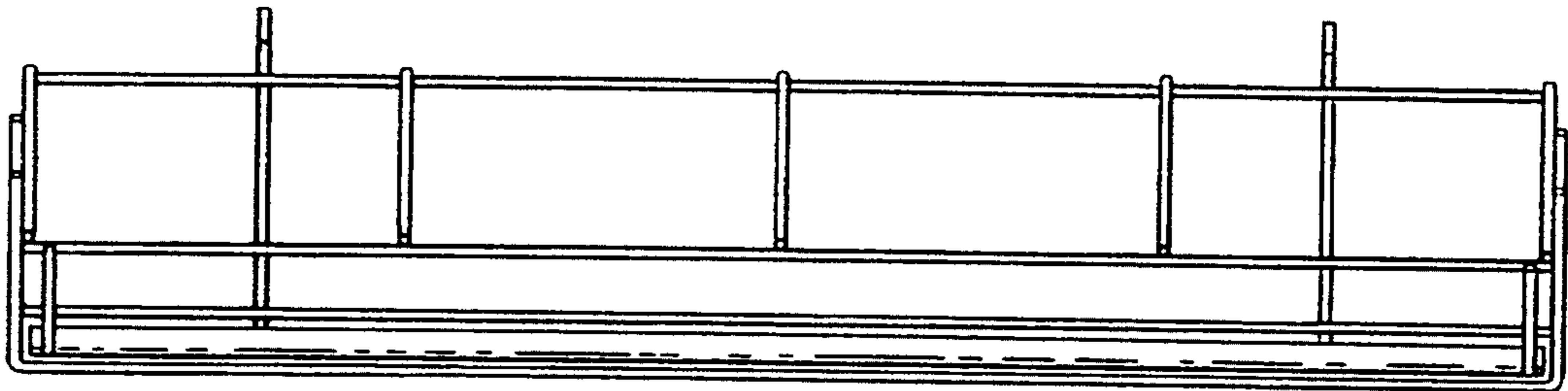


Fig. 4

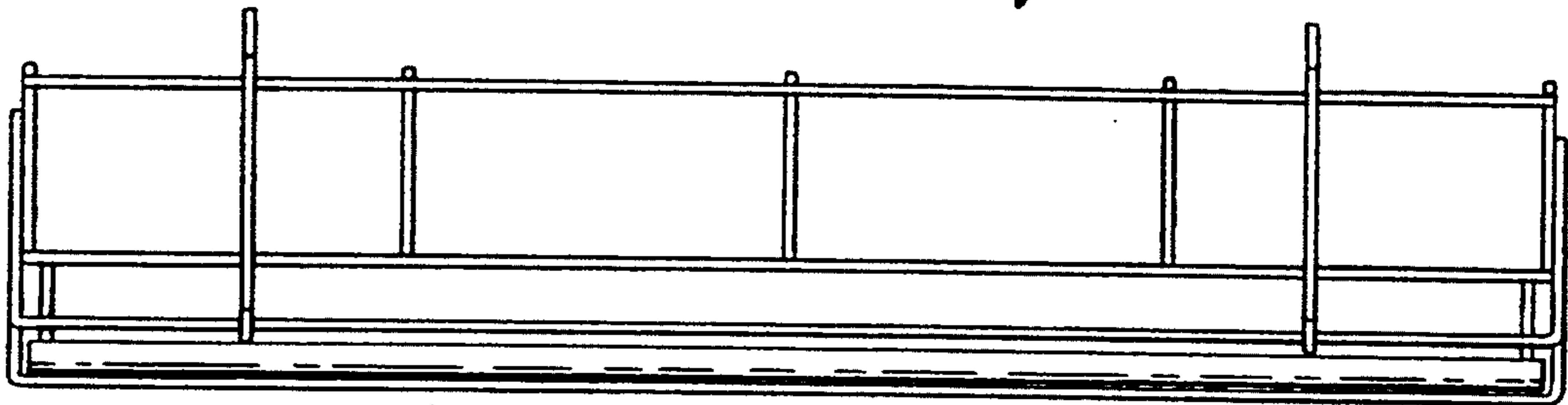


Fig. 5

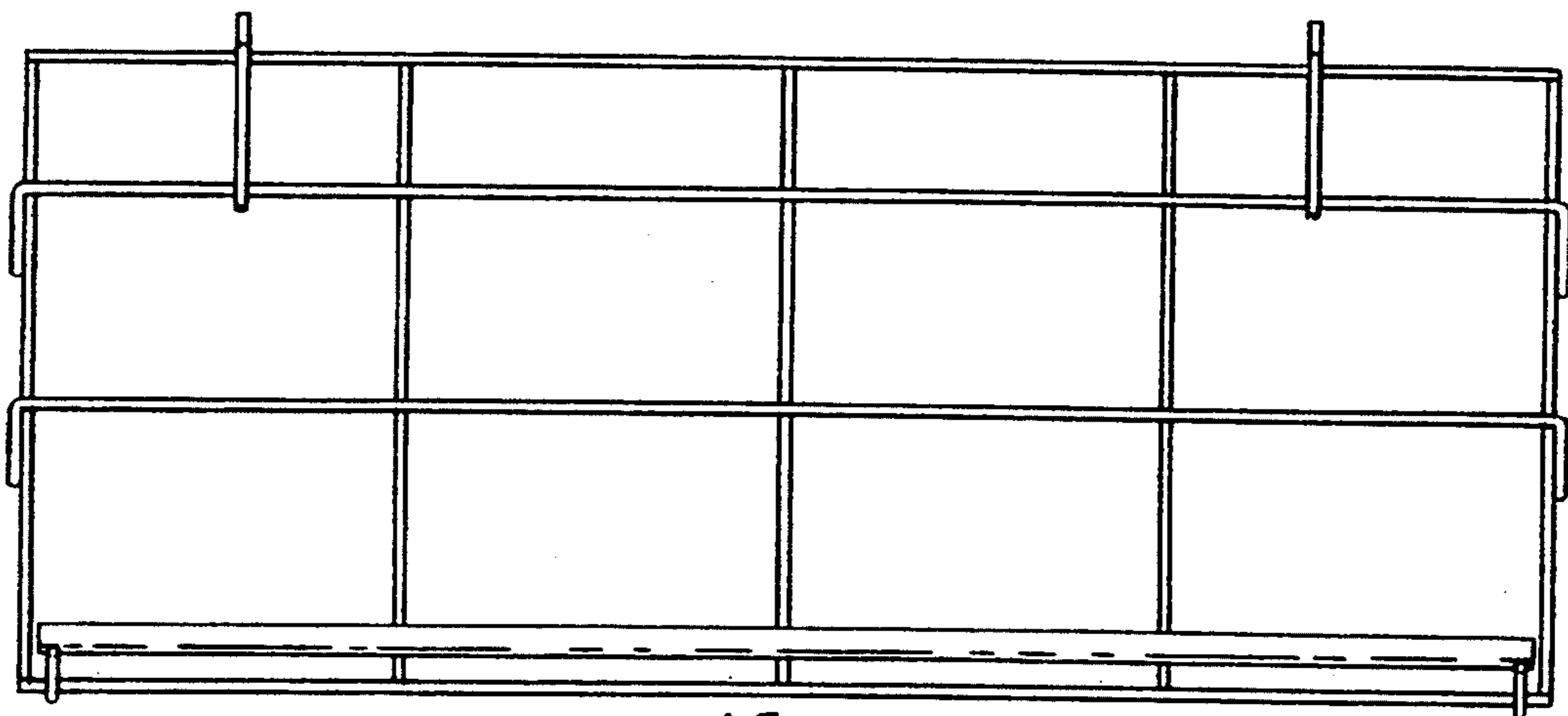


Fig. 6