



US00D351520S

# United States Patent [19]

[11] Patent Number: **Des. 351,520**

Frazier et al.

[45] Date of Patent: **\*\* Oct. 18, 1994**

[54] **JUMBO ROLL TISSUE DISPENSER**

[75] Inventors: **Alan D. Frazier**, West Chester;  
**Richard P. Lewis**, Oaks; **Paul F. Tramontina**, Perkasio, all of Pa.

D. 312,739 12/1990 Sigmund ..... D6/523  
D. 315,652 3/1991 Sigmund ..... D6/523 X  
D. 335,410 5/1993 Abel et al. .... D6/520  
4,088,276 5/1978 Littleton ..... 242/55.53

[73] Assignee: **Scott Paper Company**, Philadelphia, Pa.

*Primary Examiner*—Brian N. Vinson  
*Attorney, Agent, or Firm*—Mark G. Bocchetti; John W. Kane, Jr.

[\*\*] Term: **14 Years**

[57] **CLAIM**

[21] Appl. No.: **8,730**

The ornamental design for a jumbo roll tissue dispenser, as shown and described.

[22] Filed: **May 26, 1993**

[52] U.S. Cl. .... **D6/523**

[58] Field of Search ..... D6/518, 520, 522-523;  
242/55.2, 55.3, 55.53

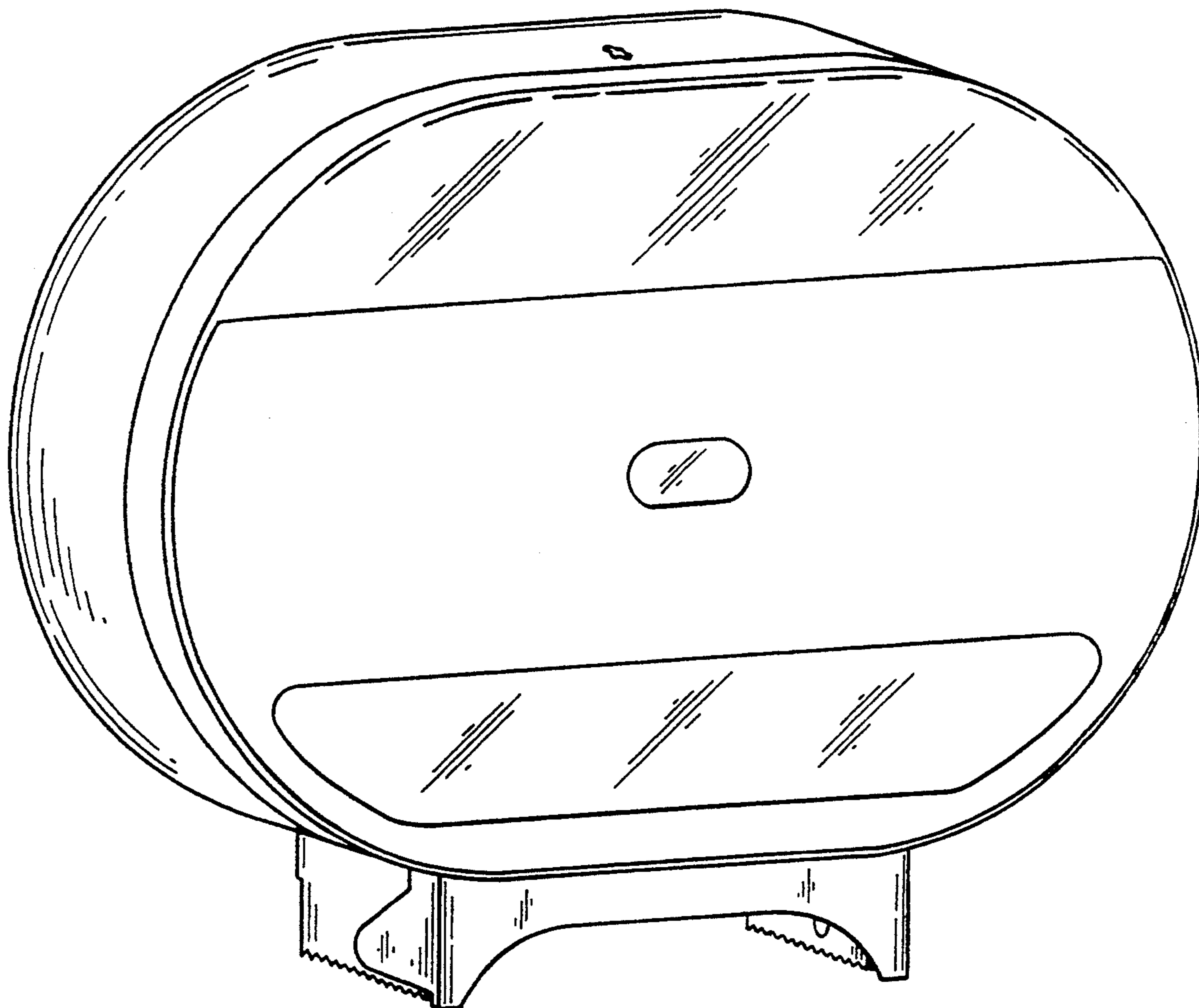
**DESCRIPTION**

FIG. 1 is a perspective view of a jumbo roll tissue dispenser showing our new design;  
FIG. 2 is a front elevation view thereof;  
FIG. 3 is a bottom plan view thereof;  
FIG. 4 is a top plan view thereof; and,  
FIG. 5 is a left side elevation view thereof, the right side being a mirror image thereof.

[56] **References Cited**

**U.S. PATENT DOCUMENTS**

D. 307,845 5/1990 Omdoll et al. .... D6/520  
D. 310,922 10/1990 Sigmund ..... D6/523 X



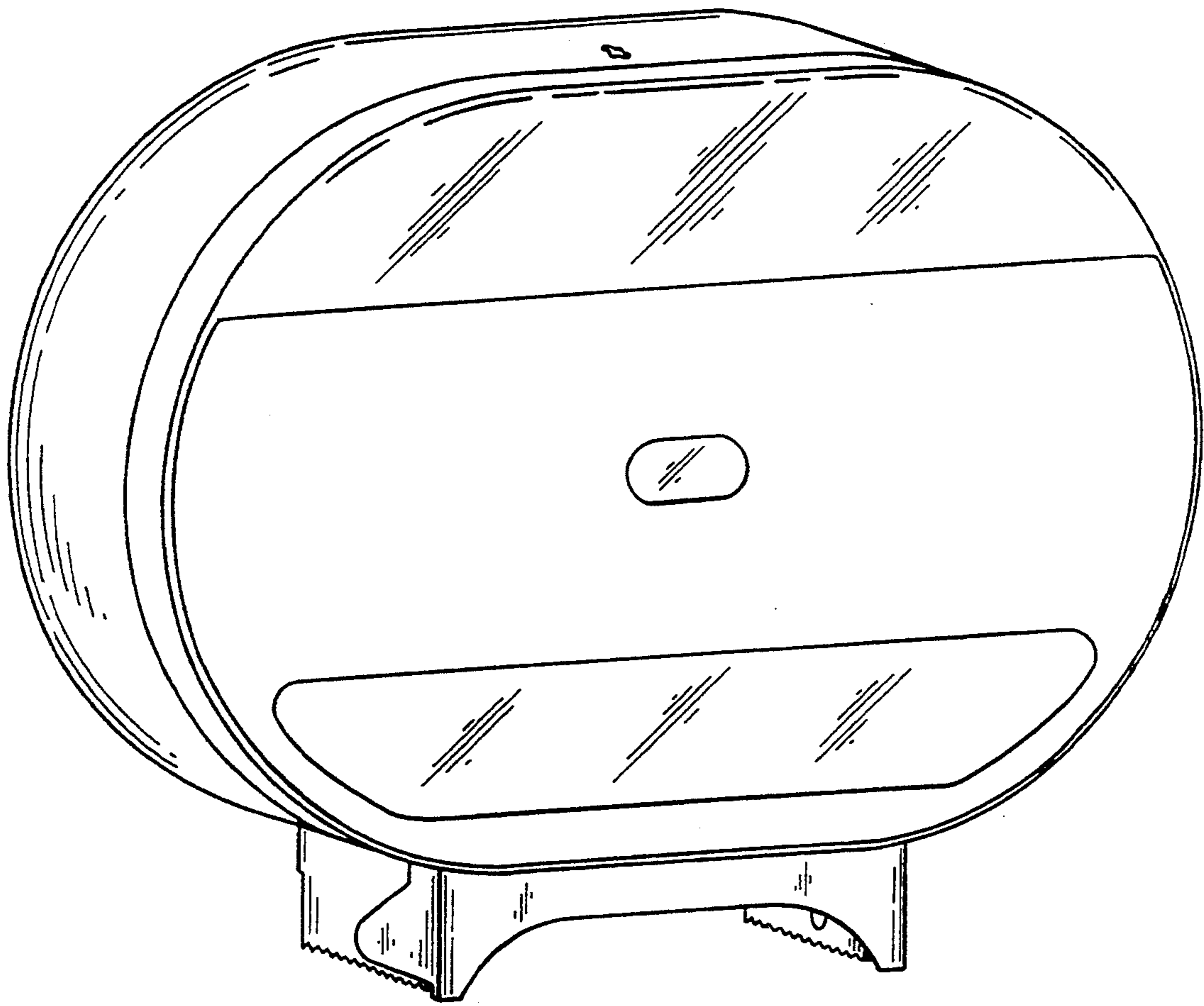


FIG. 1

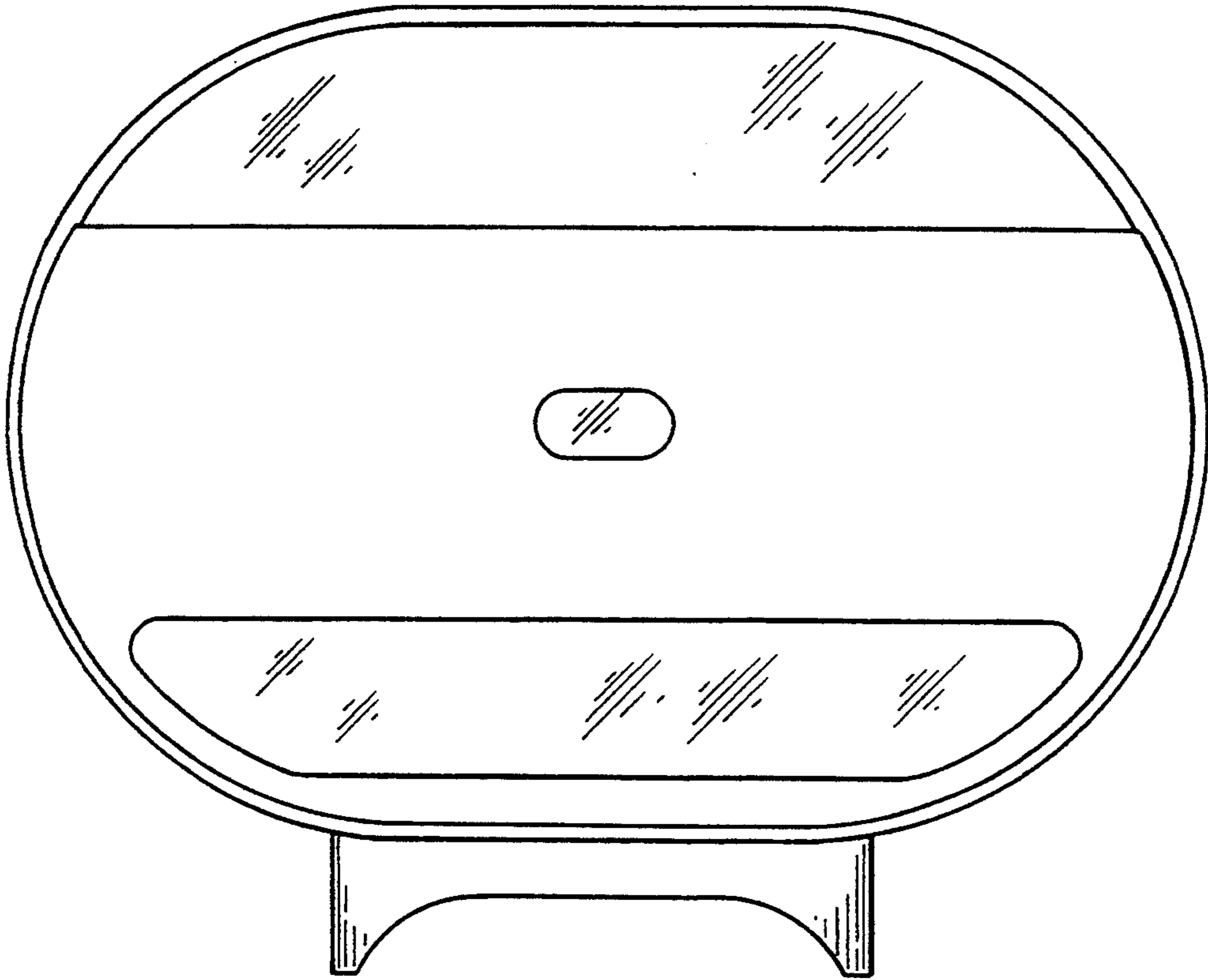


FIG. 2

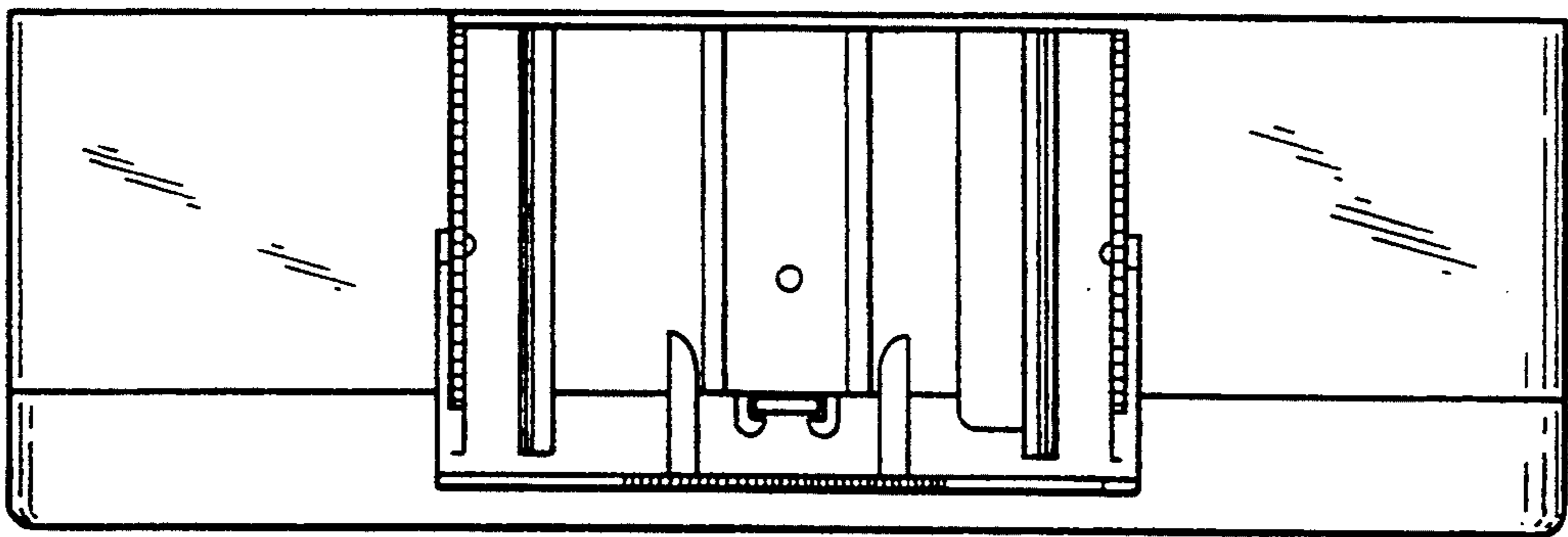


FIG. 3

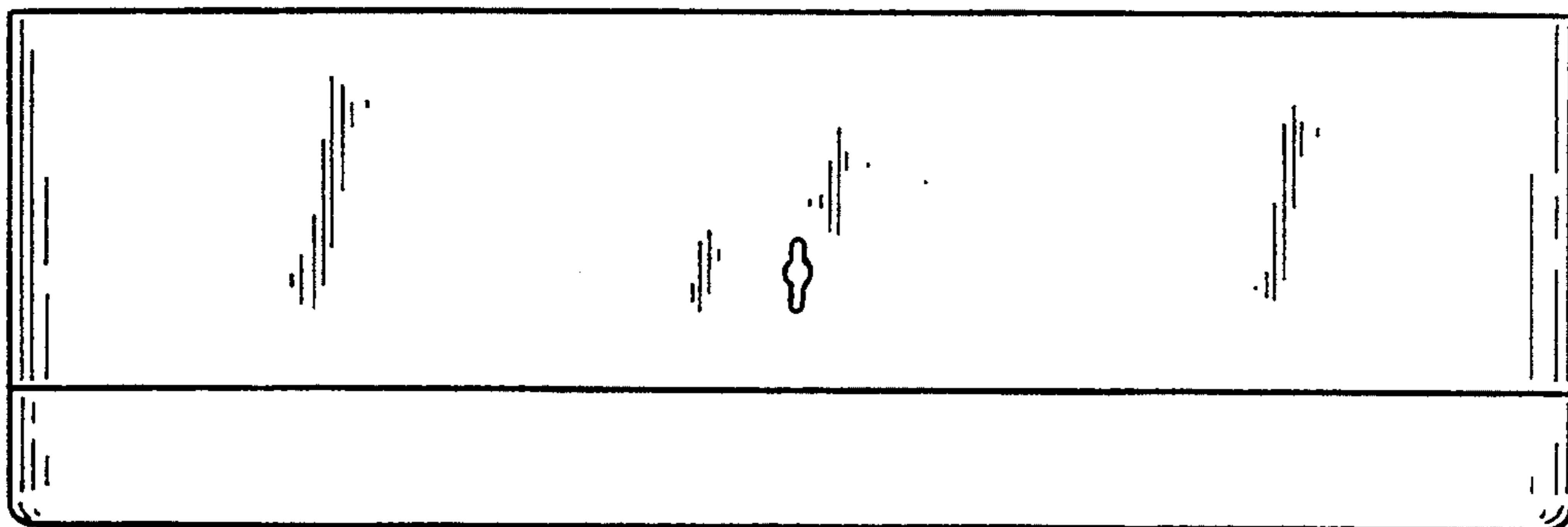


FIG. 4

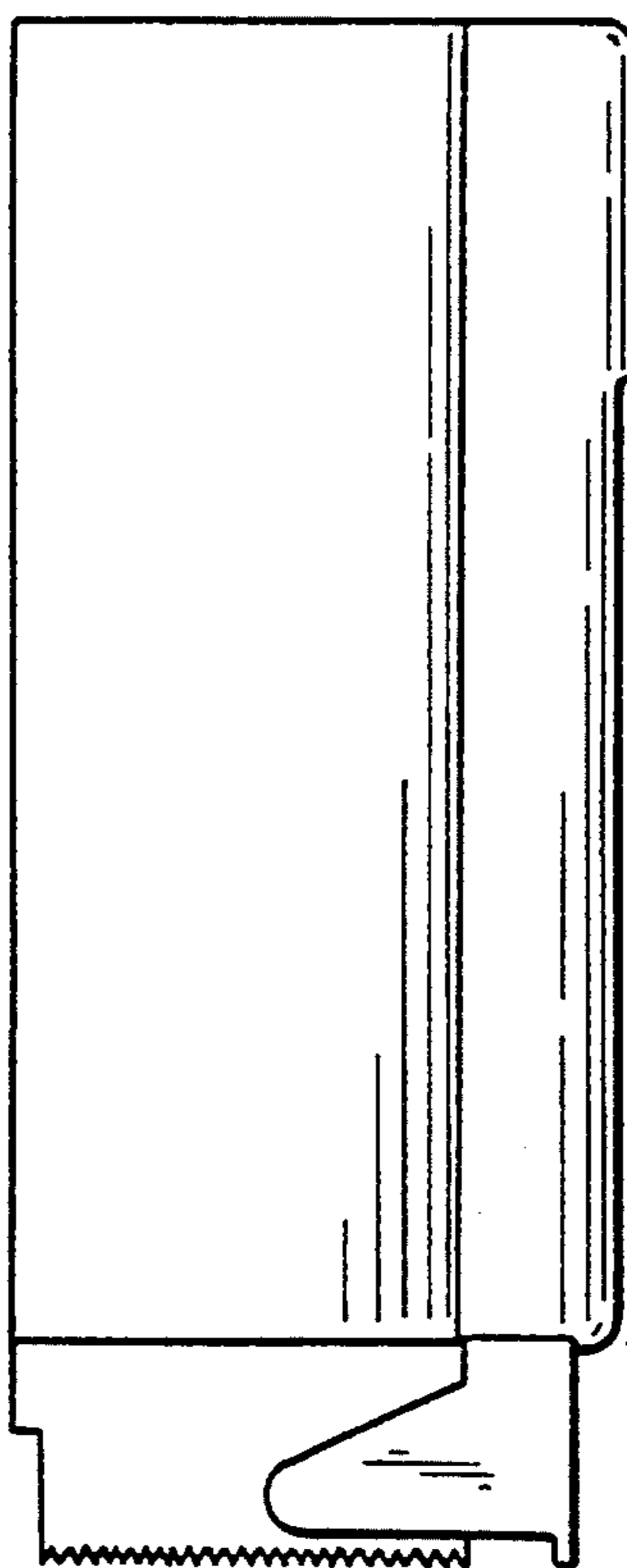


FIG. 5