



US00D351519S

United States Patent [19]

[11] Patent Number: **Des. 351,519**

De Marco

[45] Date of Patent: **** Oct. 18, 1994**

[54] **TOWEL CLAMP**

[76] Inventor: **Nicholas A. De Marco**, 18085 2nd St., Fountain Valley, Calif. 92078

[**] Term: **14 Years**

[21] Appl. No.: **924,339**

[22] Filed: **Jul. 31, 1992**

[52] U.S. Cl. **D6/513; D8/373**

[58] Field of Search **D6/546-547; D8/373, 395; 248/304, 305, 317, 316.5; D32/61**

[56] **References Cited**

U.S. PATENT DOCUMENTS

- D. 204,683 5/1966 Hoodis D6/547
- D. 277,534 2/1985 Warmath D32/61 X
- D. 315,864 4/1991 Embree et al. D8/373 X
- D. 328,318 8/1992 Becklund D8/373
- D. 329,345 9/1992 Bush D6/547

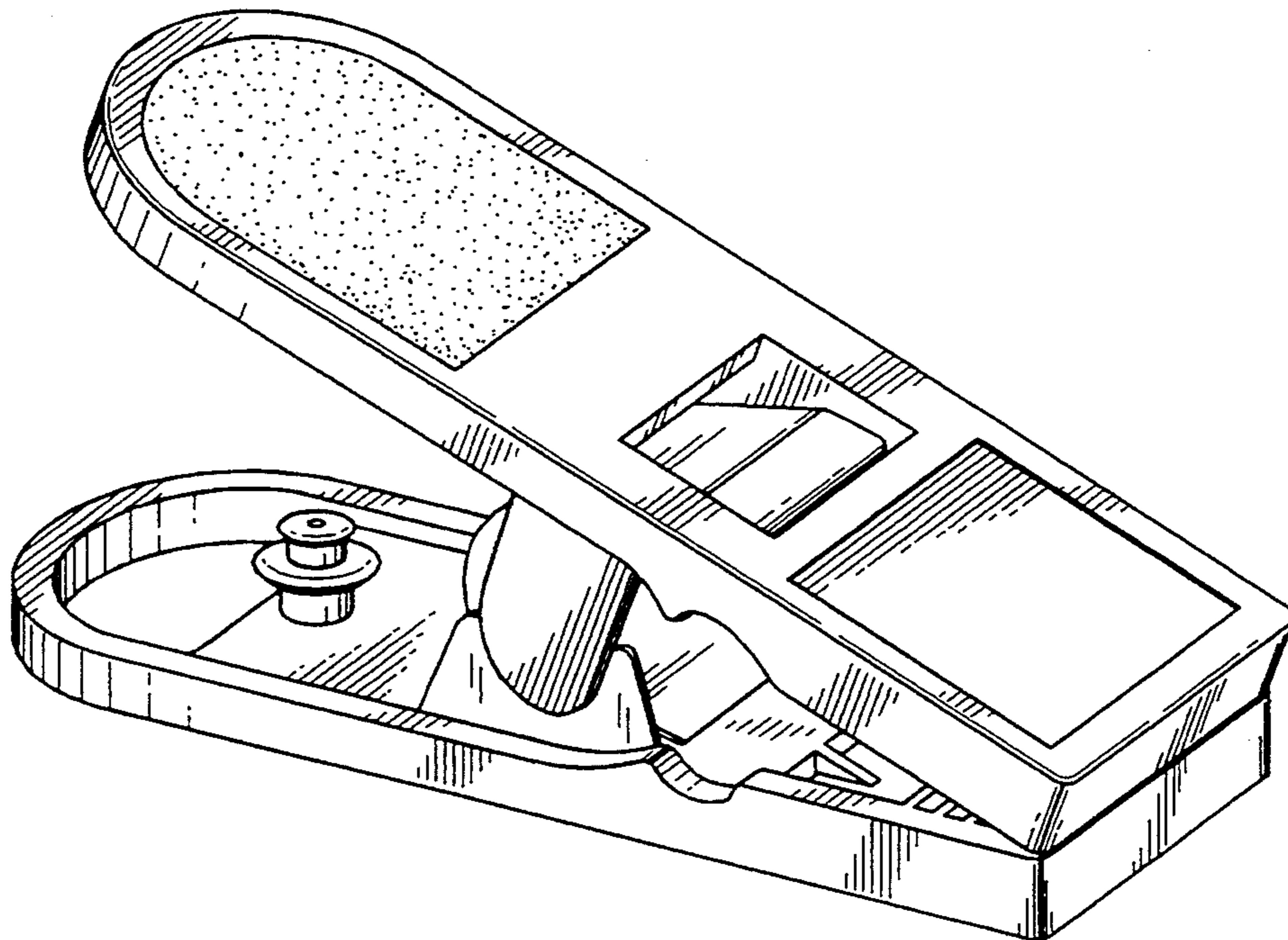
Primary Examiner—Brian N. Vinson
Attorney, Agent, or Firm—Hawes & Fischer

[57] **CLAIM**

The ornamental design for a towel clamp, as shown and described.

DESCRIPTION

FIG. 1 is a perspective view of the towel clamp of the present invention;
 FIG. 2 is a top view of the towel clamp of the present invention which was shown in FIG. 1;
 FIG. 3 is a rear view of the towel clamp of the present invention which was shown in FIGS. 1 and 2;
 FIG. 4 is a side view of the towel clamp of the present invention which was shown in FIGS. 1-3;
 FIG. 5 is a front view of the towel clamp of the present invention which was shown in FIGS. 1-4; and,
 FIG. 6 is a bottom view of the towel clamp of the present invention which was shown in FIGS. 1-5.



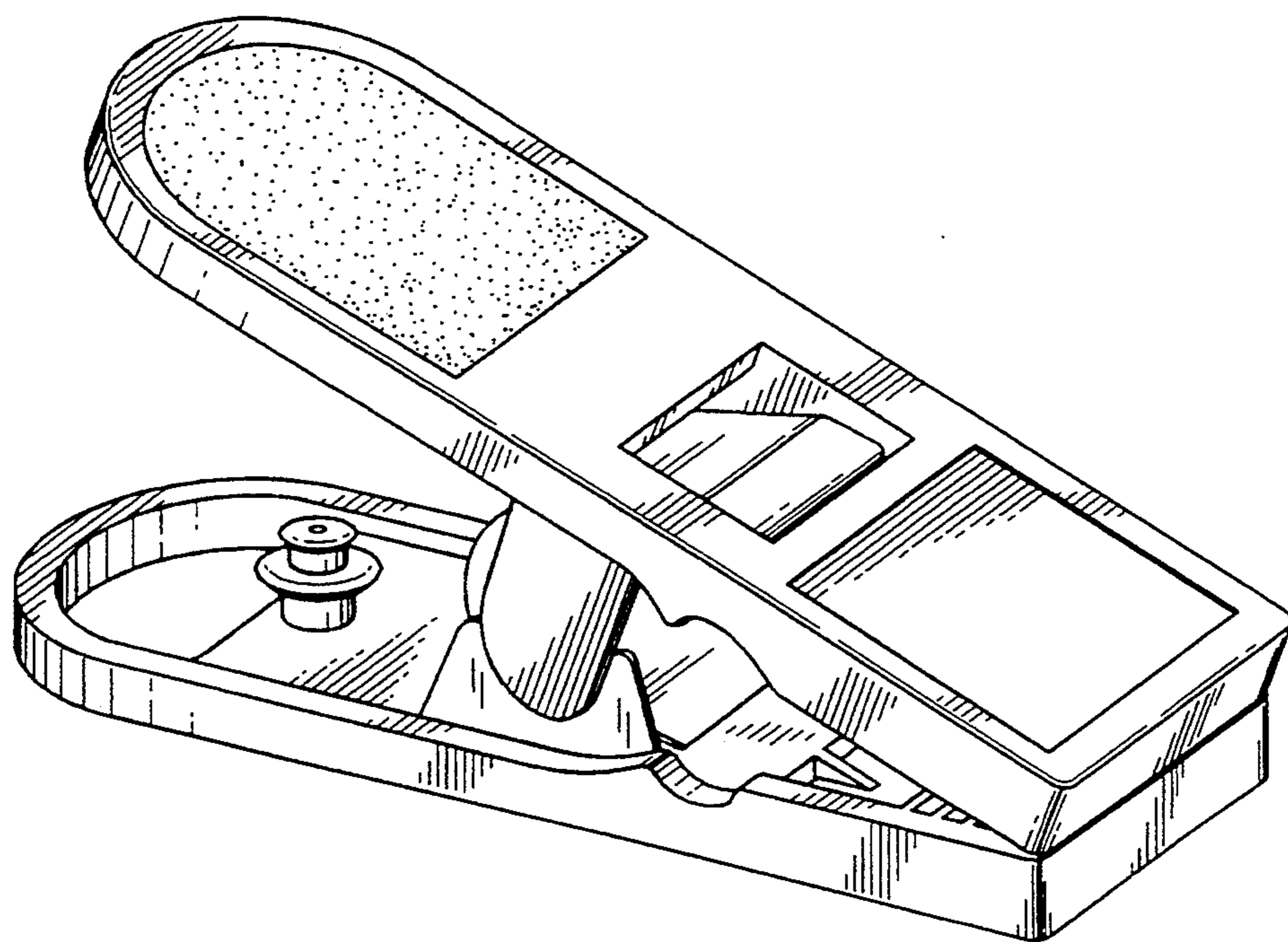


Fig. 1

Fig. 2

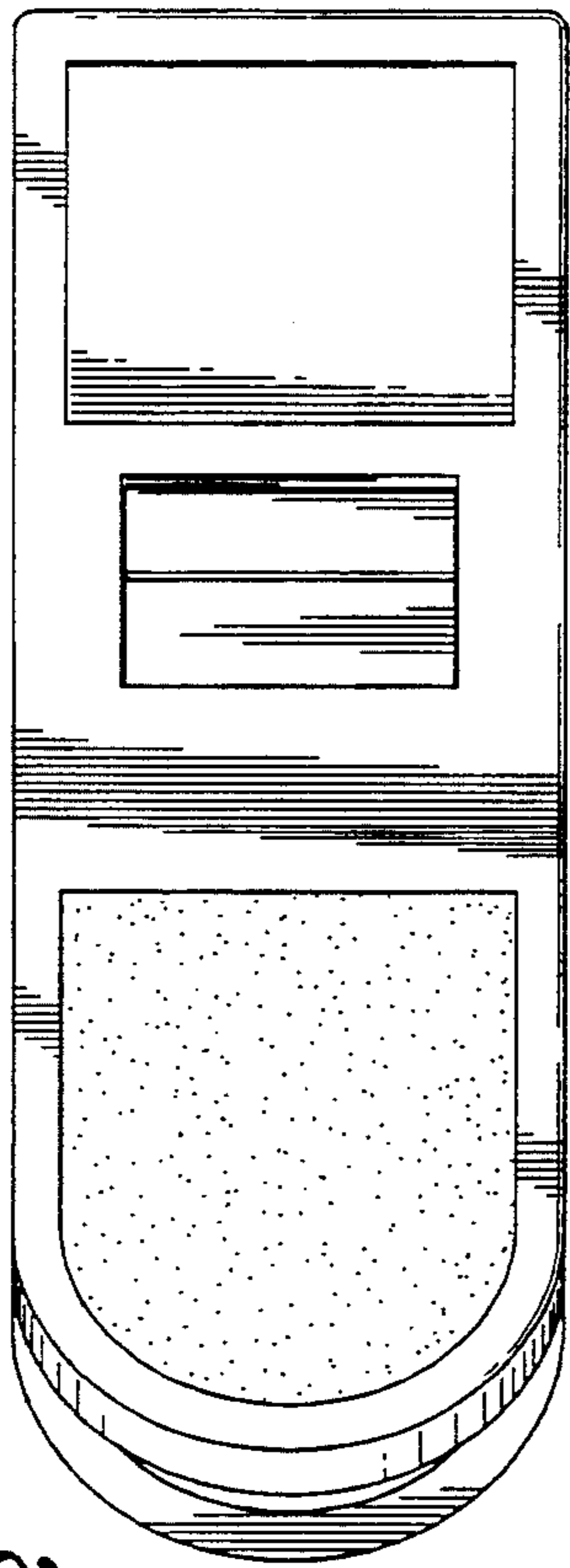


Fig. 3

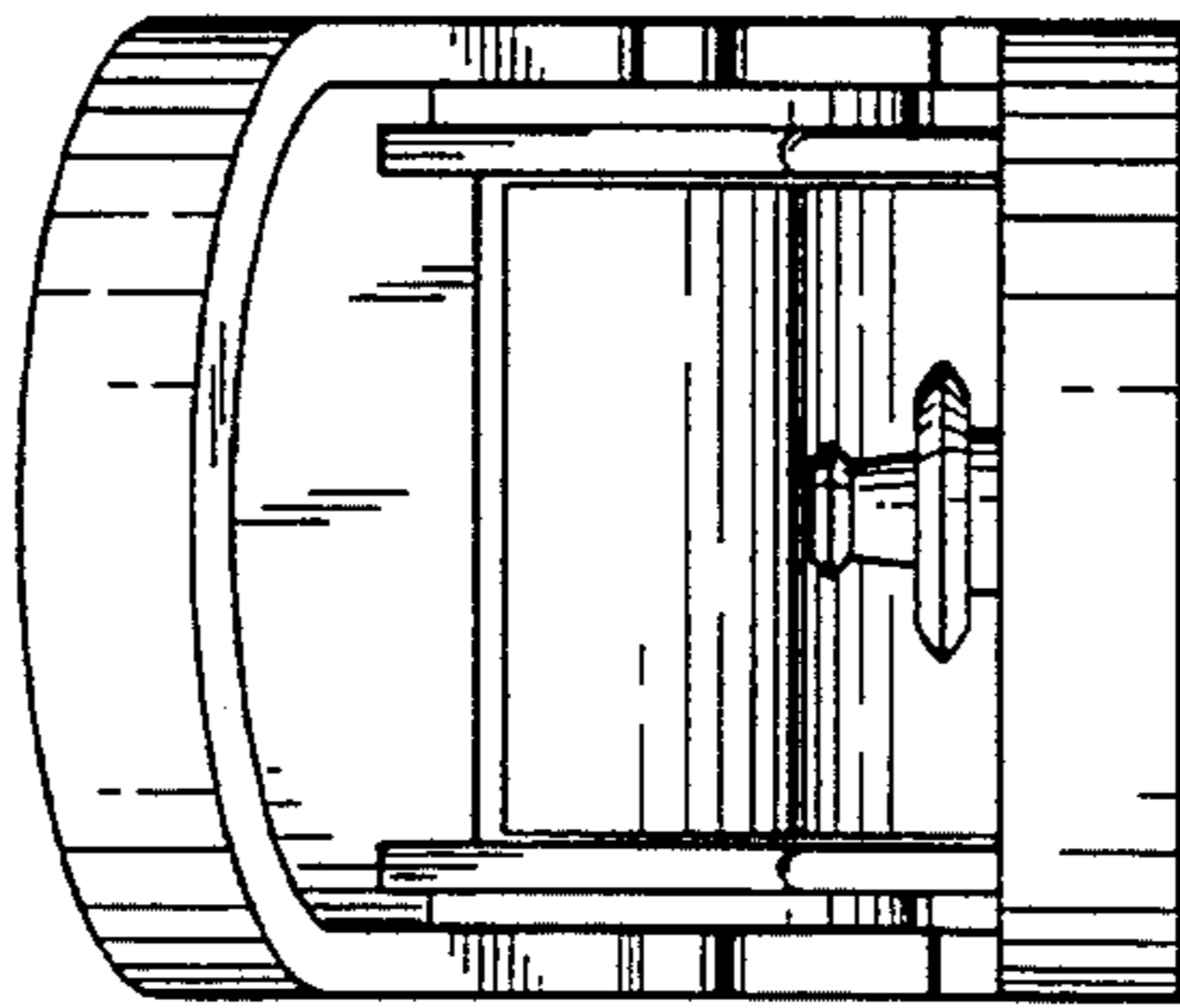


Fig. 5

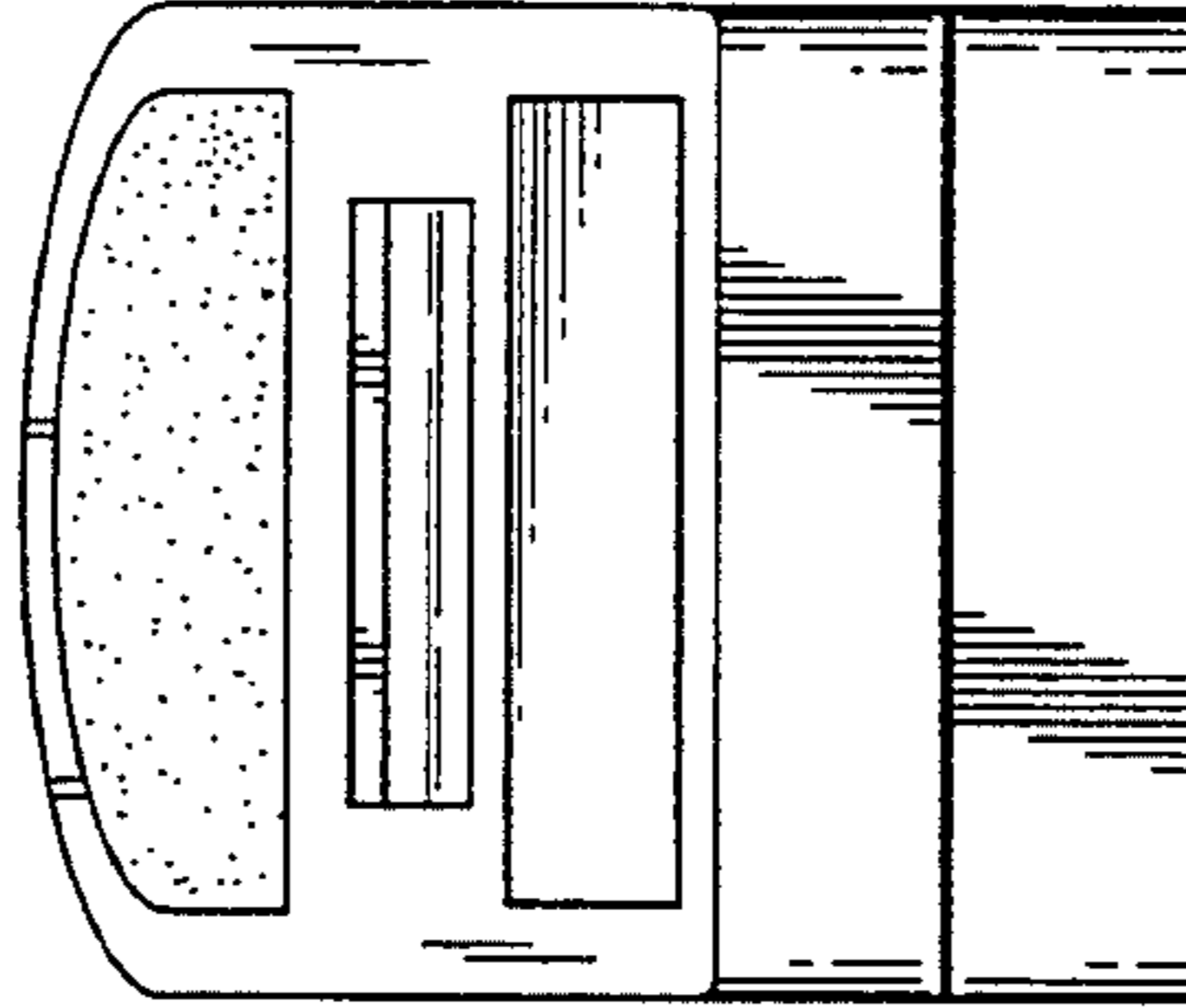


Fig. 4

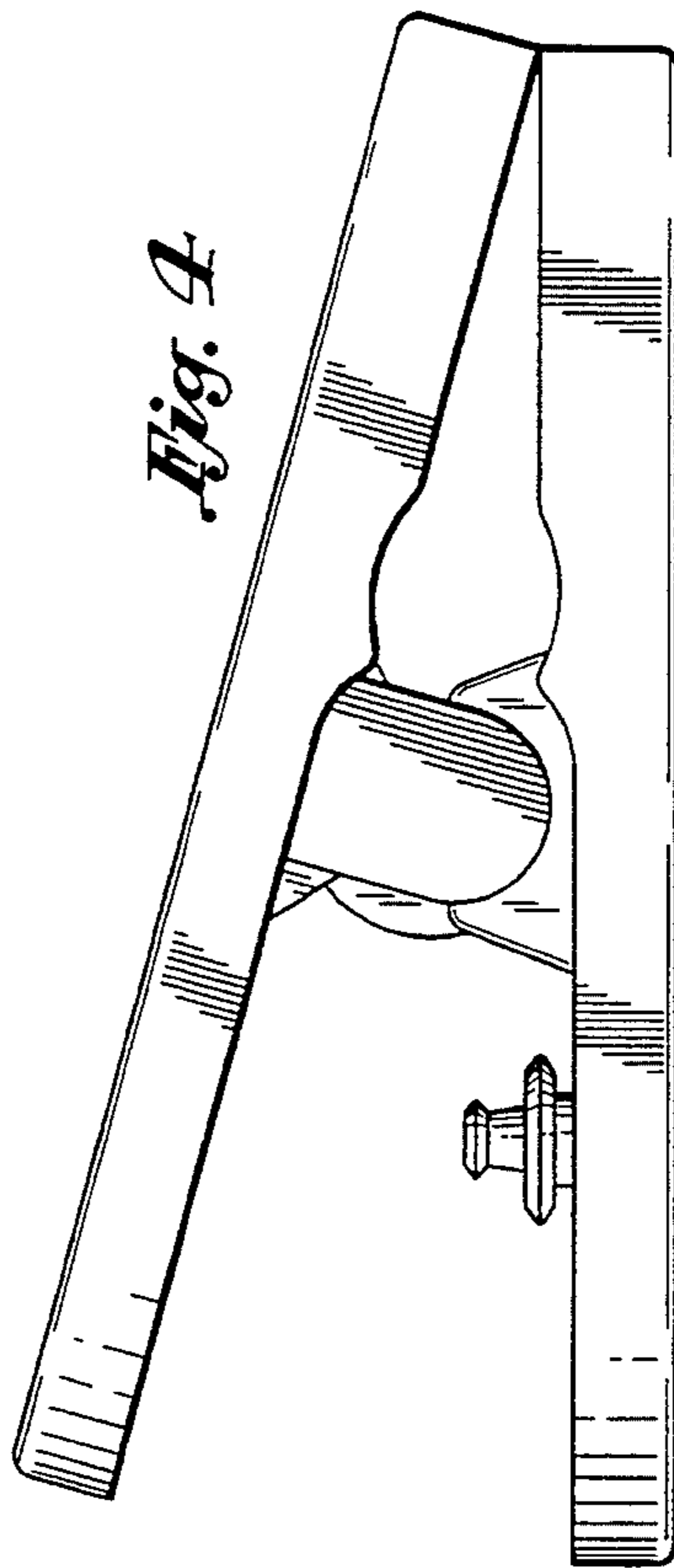


Fig. 6

