



US00D351518S

# United States Patent [19]

[11] Patent Number: **Des. 351,518**

**Burgess**

[45] Date of Patent: **\*\* Oct. 18, 1994**

[54] **DISPLAY CASE**

[76] Inventor: **Ronald Burgess, 235-26 147th Dr.,  
Rosedale, N.Y. 11422**

[\*\*] Term: **14 Years**

[21] Appl. No.: **3,188**

[22] Filed: **Jan. 4, 1993**

[52] U.S. Cl. .... **D6/470**

[58] Field of Search ..... **D6/470, 471, 472, 432,  
D6/436**

[56] **References Cited**

**U.S. PATENT DOCUMENTS**

D. 3,299	12/1868	Frader	.....	D6/471
D. 3,566	6/1869	Winter	.....	D6/471
D. 157,247	2/1950	Evans	.....	D6/471
D. 275,916	10/1984	Brandel	.....	D6/470 X
D. 277,350	1/1985	Smith	.....	D6/471
D. 283,861	5/1986	Cantolino	.....	D6/471
D. 296,154	6/1988	Egly	.....	D6/471 X

*Primary Examiner*—Alan P. Douglas  
*Assistant Examiner*—S. Snapp  
*Attorney, Agent, or Firm*—Mark Dryer

[57] **CLAIM**

The ornamental design for a display case, as shown and described.

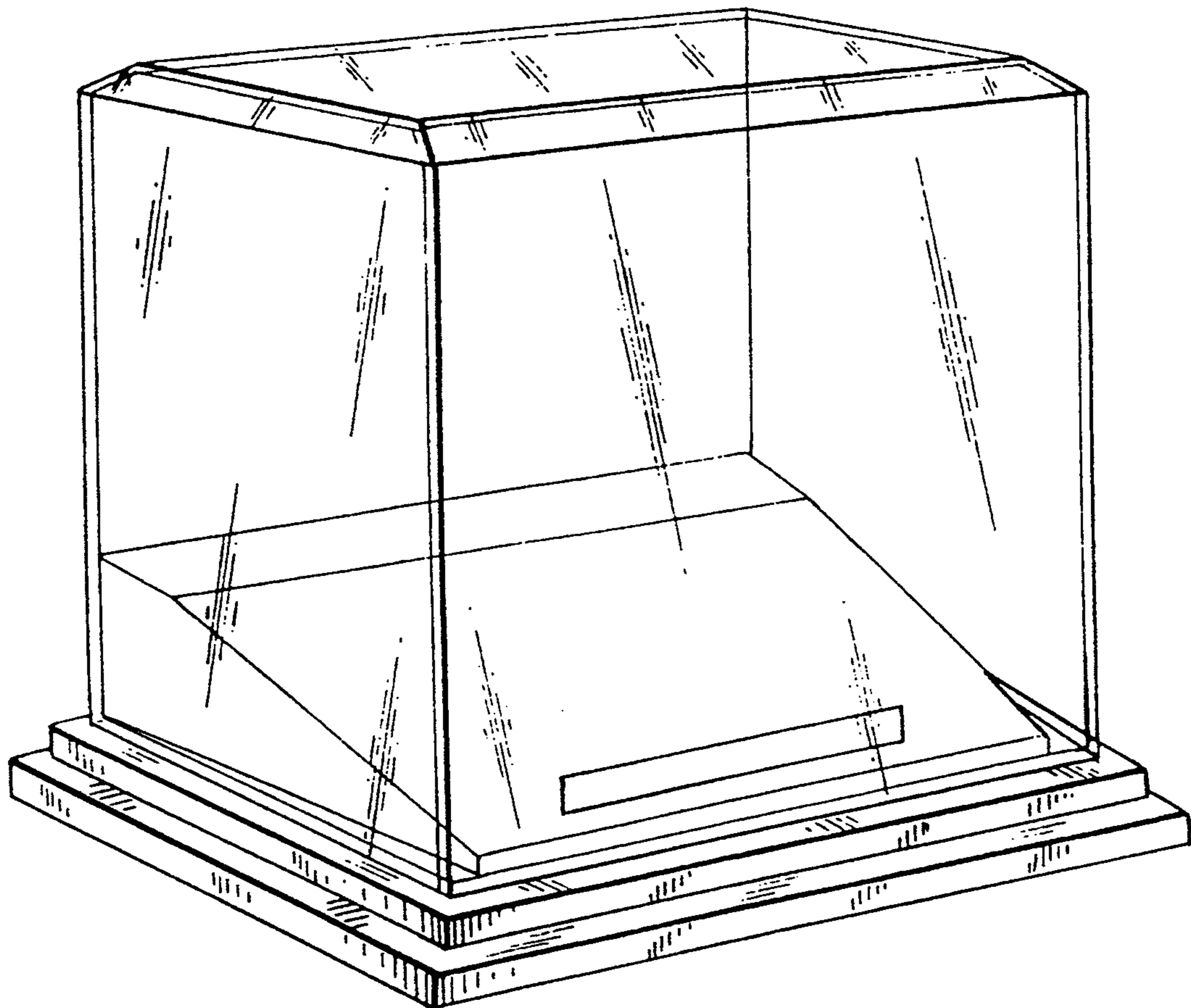
**DESCRIPTION**

FIG. 1 is a perspective view showing the front, side and top of my new display case;

FIG. 2 is a side elevational view of the display case showing the transparent cover separated from the base the opposite side being a mirror image thereof; and,

FIG. 3 is a front elevational view of my new display case.

This display case can be used for displaying various articles, for example a pair of children's shoes. The front of the removable transparent cover has a rectangular engraveable plate for identification of the article on display.



*FIG. 1*

