



US00D351515S

United States Patent [19]

[11] Patent Number: **Des. 351,515**

Keller

[45] Date of Patent: **** Oct. 18, 1994**

[54] TABLE

[75] Inventor: **H. Thomas Keller**, High Point, N.C.

[73] Assignee: **Schnadig Corp.**, Chicago, Ill.

[**] Term: **14 Years**

[21] Appl. No.: **4,997**

[22] Filed: **Feb. 19, 1993**

[52] U.S. Cl. **D6/451; D6/450**

[58] Field of Search **D6/480-489, D6/495-499, 449-451, 470, 351; 108/102, 103, 150, 12, 161; D10/6**

D. 241,999 10/1976 Carter D6/485

OTHER PUBLICATIONS

Photograph (Copy)—Maitland-Smith, Ltd. #3325-003; Prior to Filing Date of Instant Application.

Primary Examiner—Janice E. Seeger
Attorney, Agent, or Firm—Rhodes, Coats & Bennett

[57] CLAIM

The ornamental design for a table, as shown and described.

DESCRIPTION

FIG. 1 is a front perspective view of a table showing my new design;

FIG. 2 is a front elevational view thereof;

FIG. 3 is a side elevational view thereof; the opposite side elevational view being a mirror image;

FIG. 4 is a top plan view thereof; and,

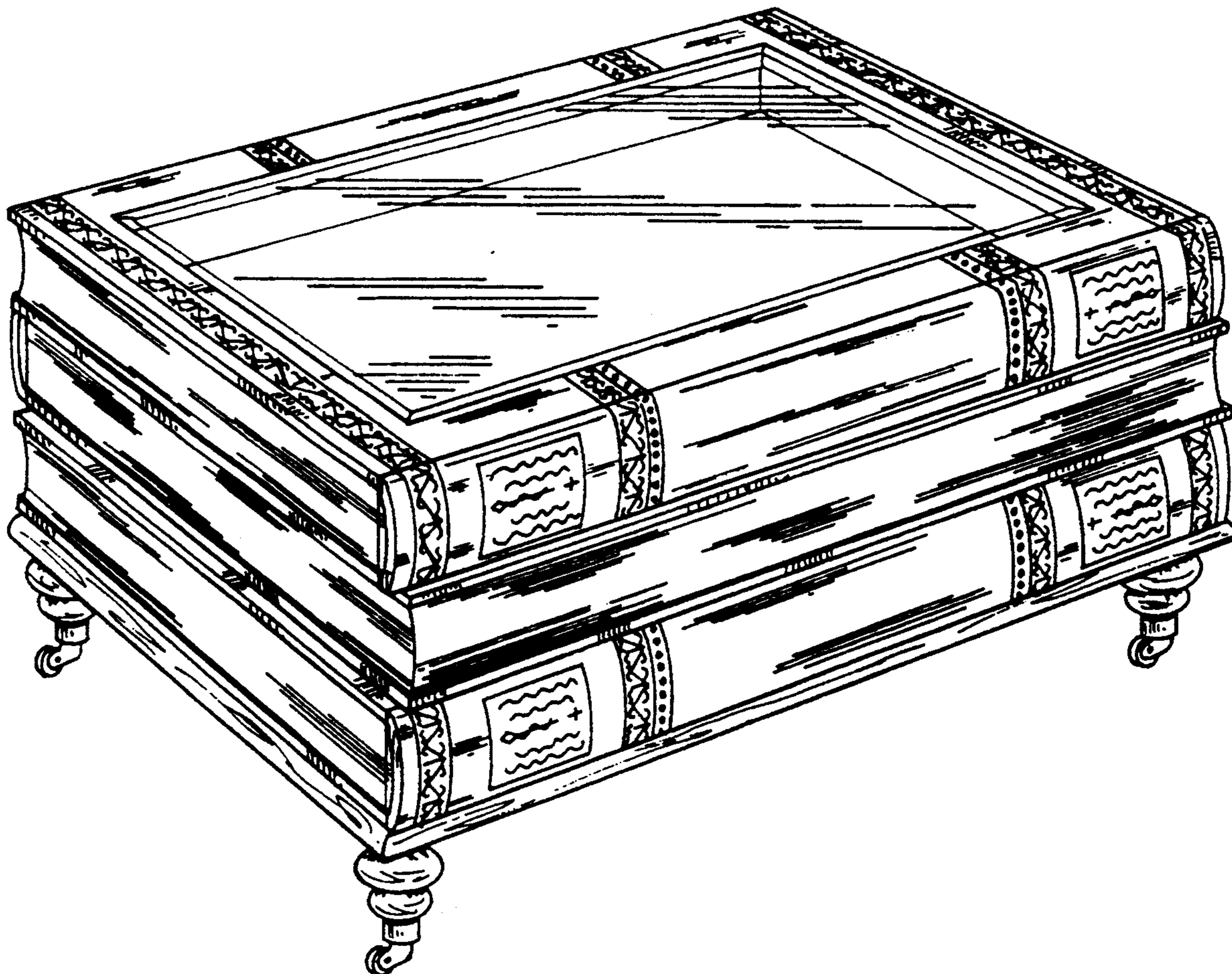
FIG. 5 is a side elevation similar to FIG. 3 except showing the drawers in an open position.

[56]

References Cited

U.S. PATENT DOCUMENTS

D. 43,164	10/1912	Russell	D6/450 X
D. 145,225	7/1946	Newman	D6/450
D. 187,572	3/1960	Eisenberg	D6/450
D. 238,856	2/1976	Koplar	D10/6



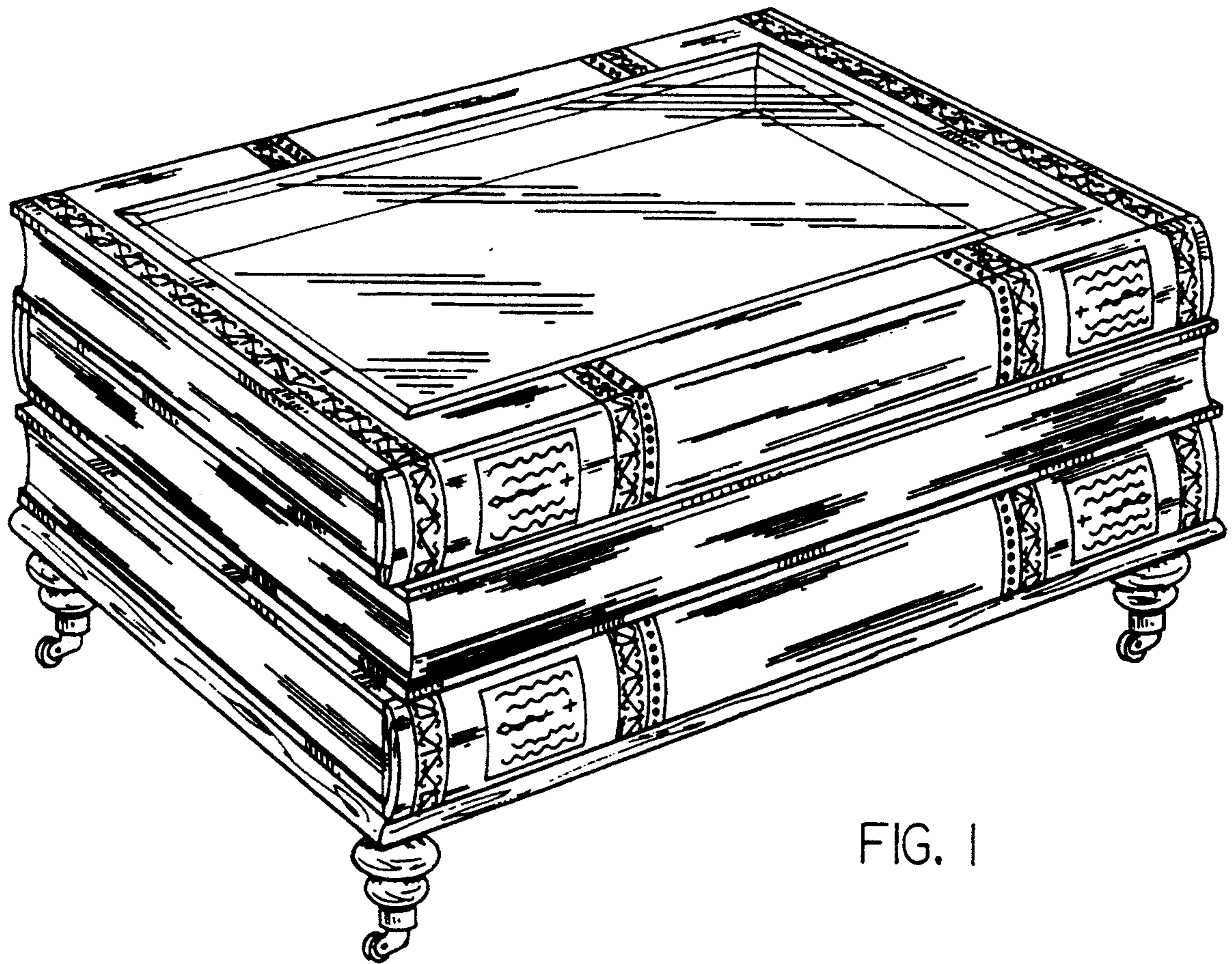
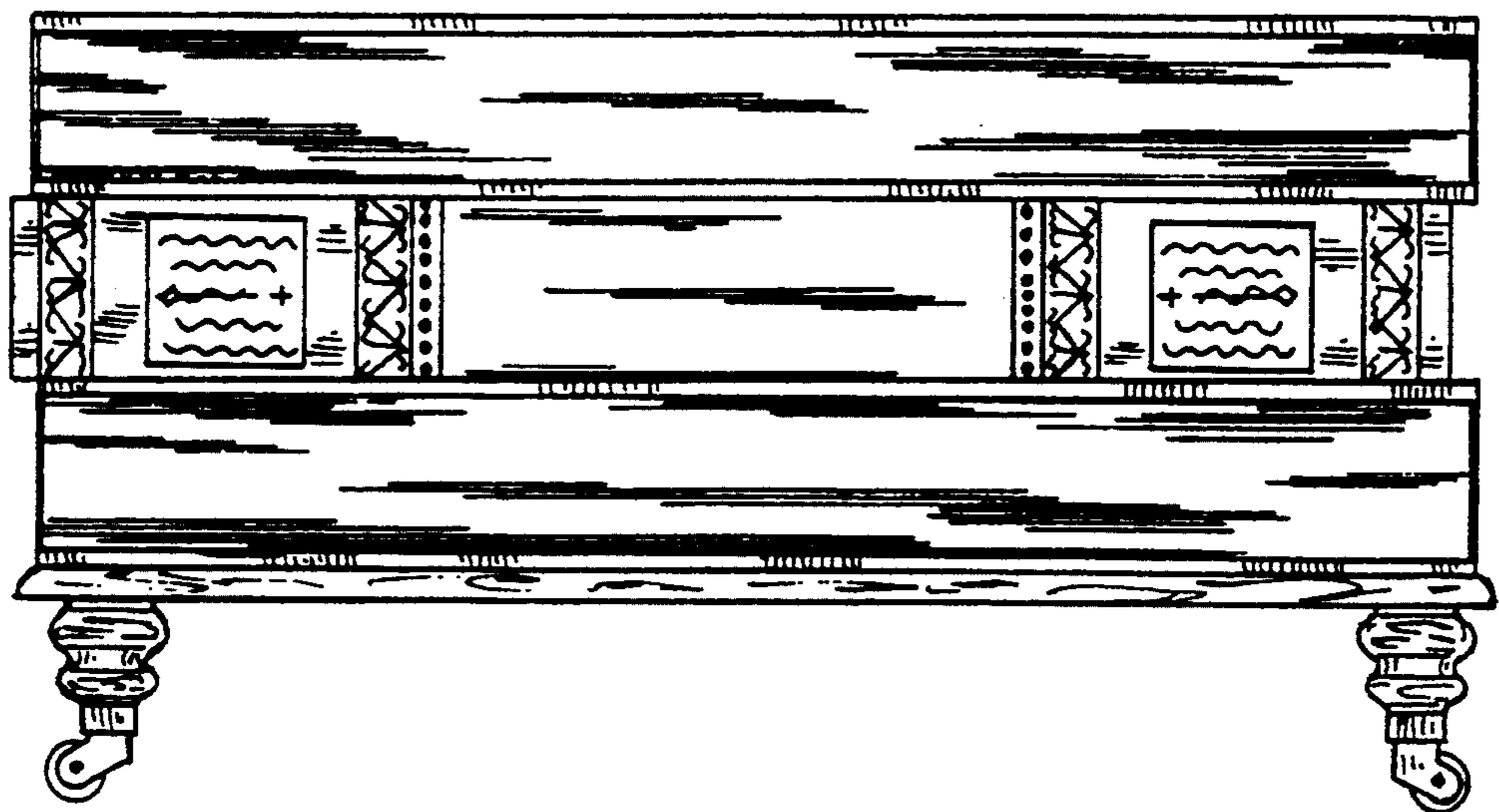


FIG. 1

FIG. 2



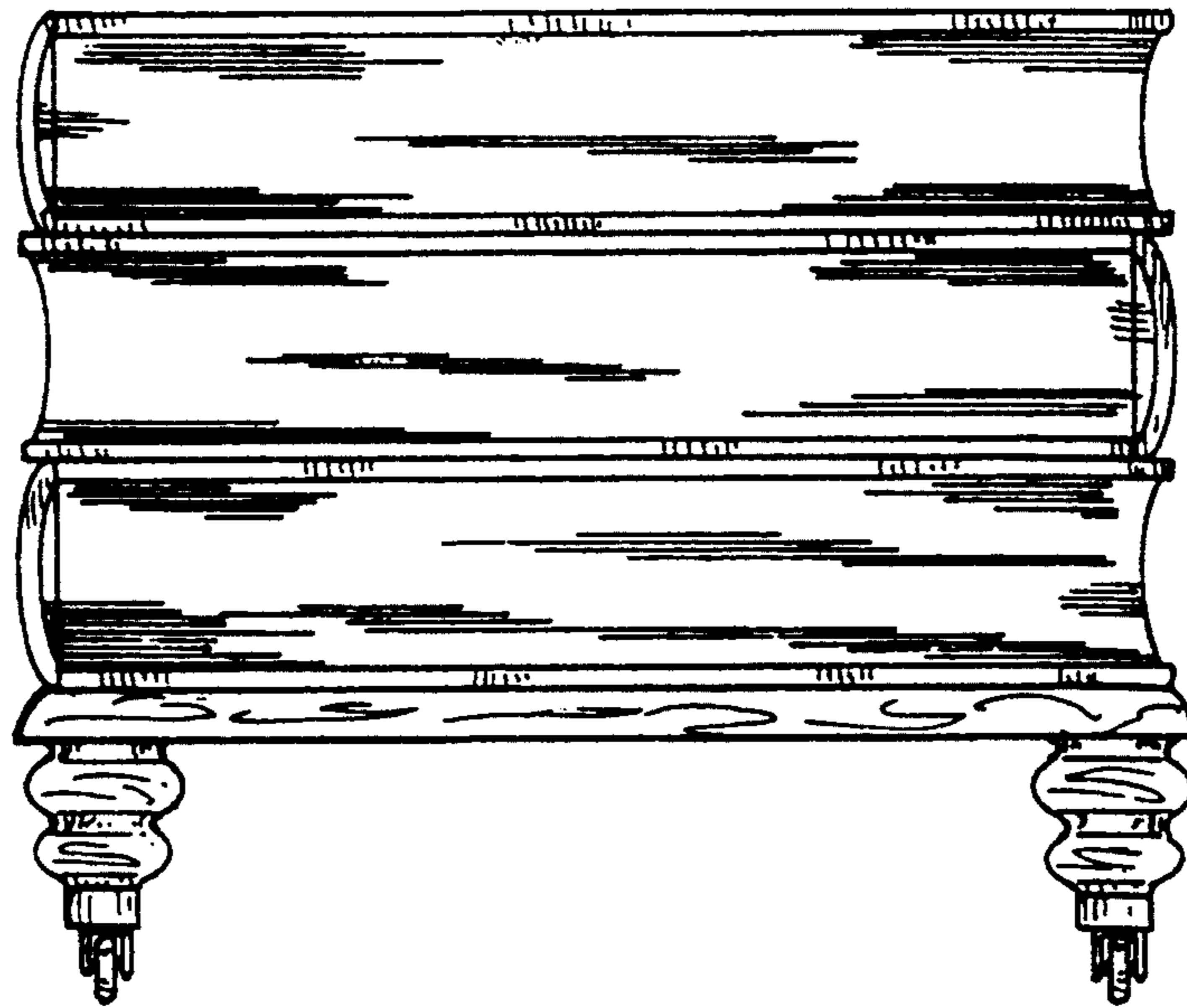
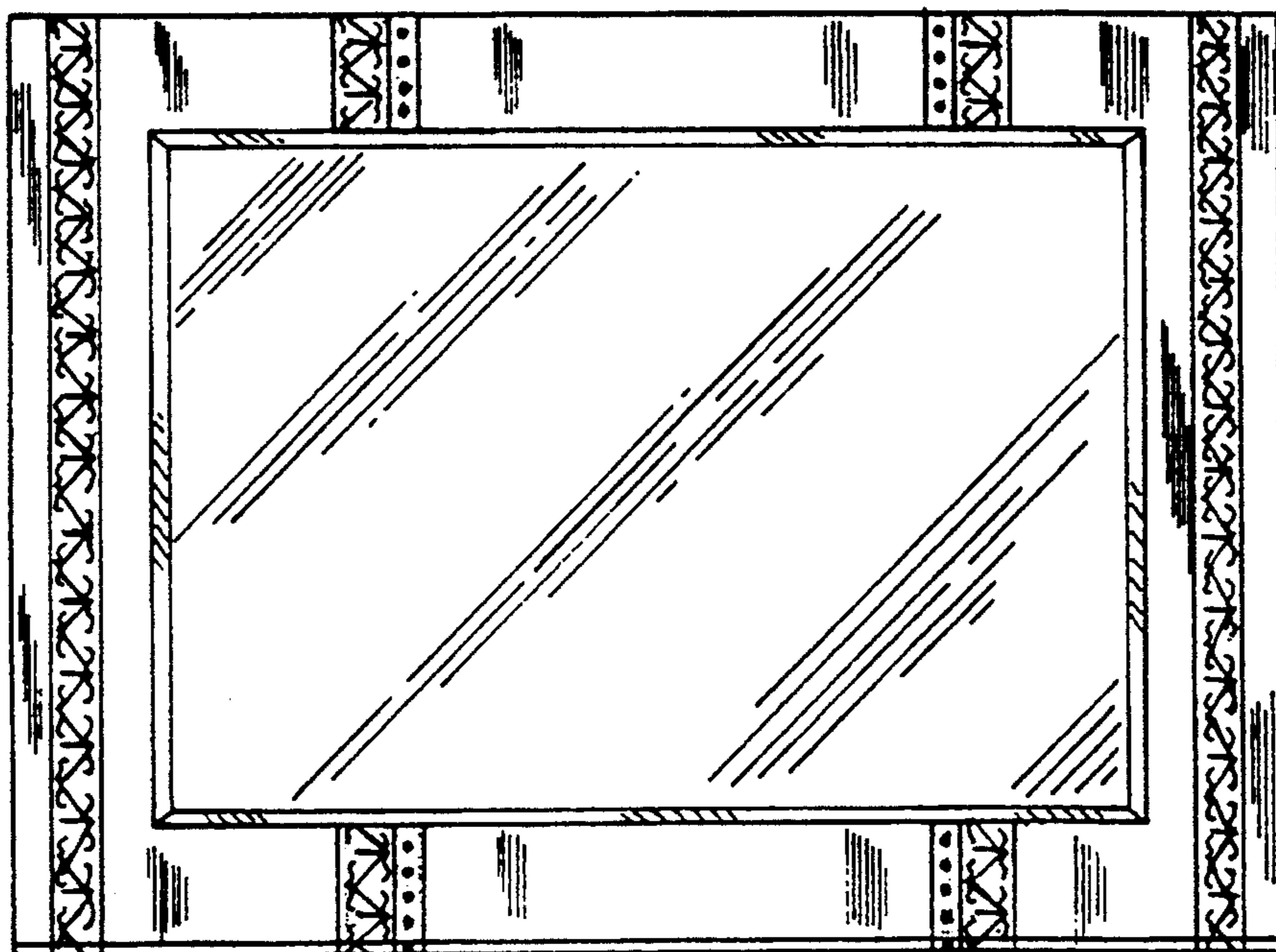


FIG. 3

FIG. 4



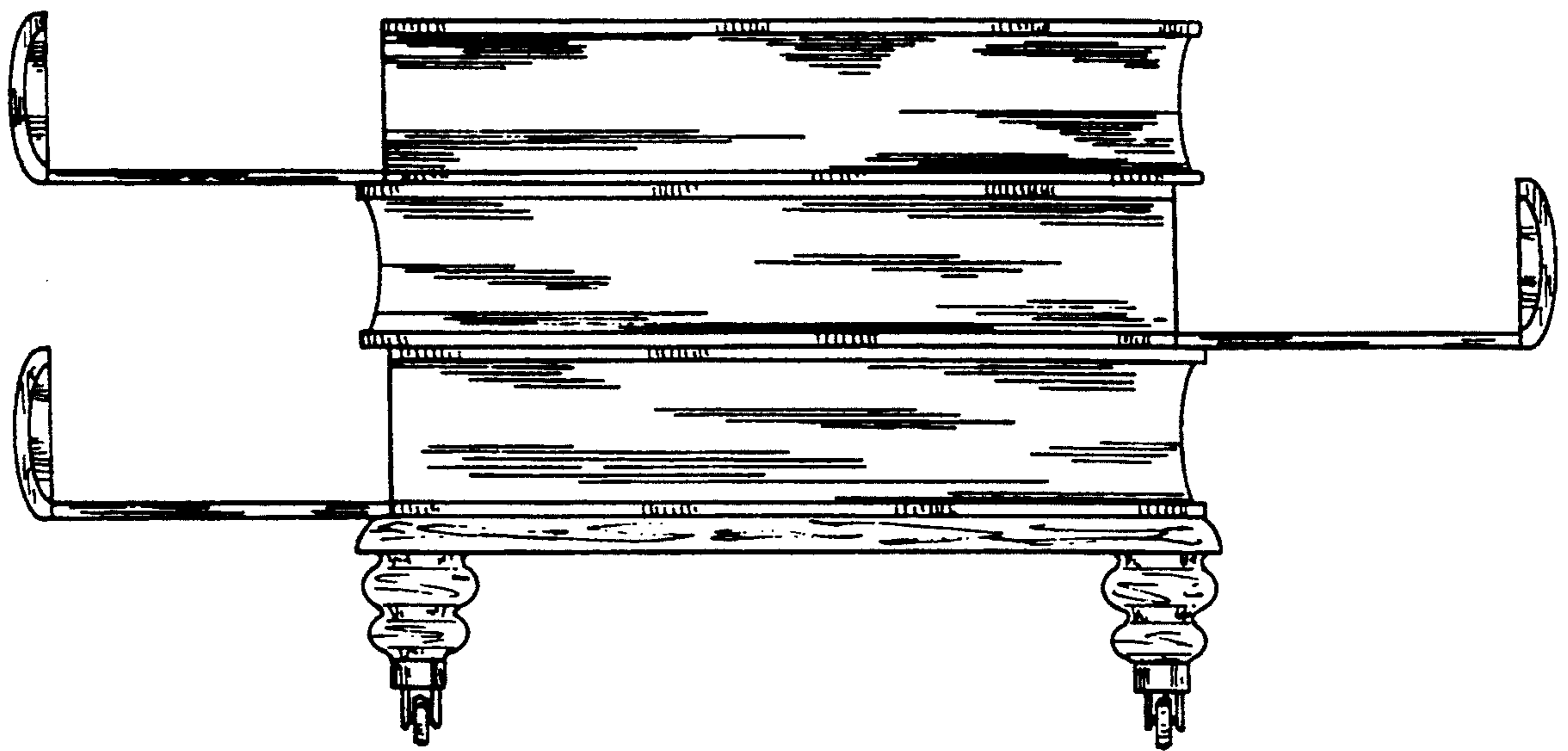


FIG. 5