



US00D351504S

# United States Patent [19]

[11] Patent Number: **Des. 351,504**

**Tarozzi**

[45] Date of Patent: **\*\* Oct. 18, 1994**

[54] **CARRYING CASE**

[75] Inventor: **Richard A. Tarozzi**, Gales Ferry, Conn.

[73] Assignee: **Binney & Smith Inc.**, Easton, Pa.

[\*\*] Term: **14 Years**

[21] Appl. No.: **8,714**

[22] Filed: **May 24, 1993**

[52] U.S. Cl. .... **D3/276; D3/273; D3/282**

[58] Field of Search ..... **D3/273, 276, 282, 283, D3/291, 294, 900, 905; 190/18 R, 100, 115, 900; 206/278, 305, 349**

3,334,714 8/1967 Gordon ..... 190/57  
 3,380,573 4/1968 Gulotta ..... 206/16  
 4,216,862 8/1980 Daenen ..... 206/541  
 4,334,646 8/1982 Michel ..... 292/87  
 4,340,139 7/1982 Wilcox et al. .... 206/349  
 4,452,373 6/1984 Pearce et al. .... 220/335  
 4,615,464 10/1986 Byrns ..... 220/469  
 4,623,071 11/1986 Malcolm ..... 220/337

*Primary Examiner*—Bernard Ansher  
*Assistant Examiner*—Dominic Simone  
*Attorney, Agent, or Firm*—Leydig, Voit & Mayer, Ltd.

### [57] CLAIM

The ornamental design for a carrying case, as shown and described.

### [56] References Cited

#### U.S. PATENT DOCUMENTS

D. 28,605	5/1898	Snyder .	
D. 109,938	5/1938	Lightfoot et al. .	
D. 159,130	1/1949	Auger .....	D58/12.6
D. 170,397	9/1953	Brier et al. ....	D3/282
D. 178,950	10/1956	Berry .....	D58/13
D. 196,955	11/1963	Parsell .....	D3/282
D. 218,922	10/1970	DeVore et al. ....	D3/282
D. 249,825	10/1978	Hasulak .....	D3/282
D. 259,154	5/1981	White, Jr. et al. ....	D3/75
D. 271,444	11/1983	LeVine .....	D3/74
D. 279,728	7/1985	Kurihara .....	D3/282
D. 287,906	1/1987	Tsuji et al. ....	D3/30.5
D. 293,738	1/1988	Nadeau .....	D3/73
D. 309,981	8/1990	French et al. ....	D3/74
D. 324,608	3/1992	Forbes .....	D3/35
1,064,024	6/1913	Stimmel .	
2,695,112	11/1954	Bonnevay .....	217/7

### DESCRIPTION

FIG. 1 is a left front perspective view of the carrying case;

FIG. 2 is a top plan view thereof;

FIG. 3 is a bottom plan view thereof;

FIG. 4 is a front elevational view thereof;

FIG. 5 is a rear elevational view thereof;

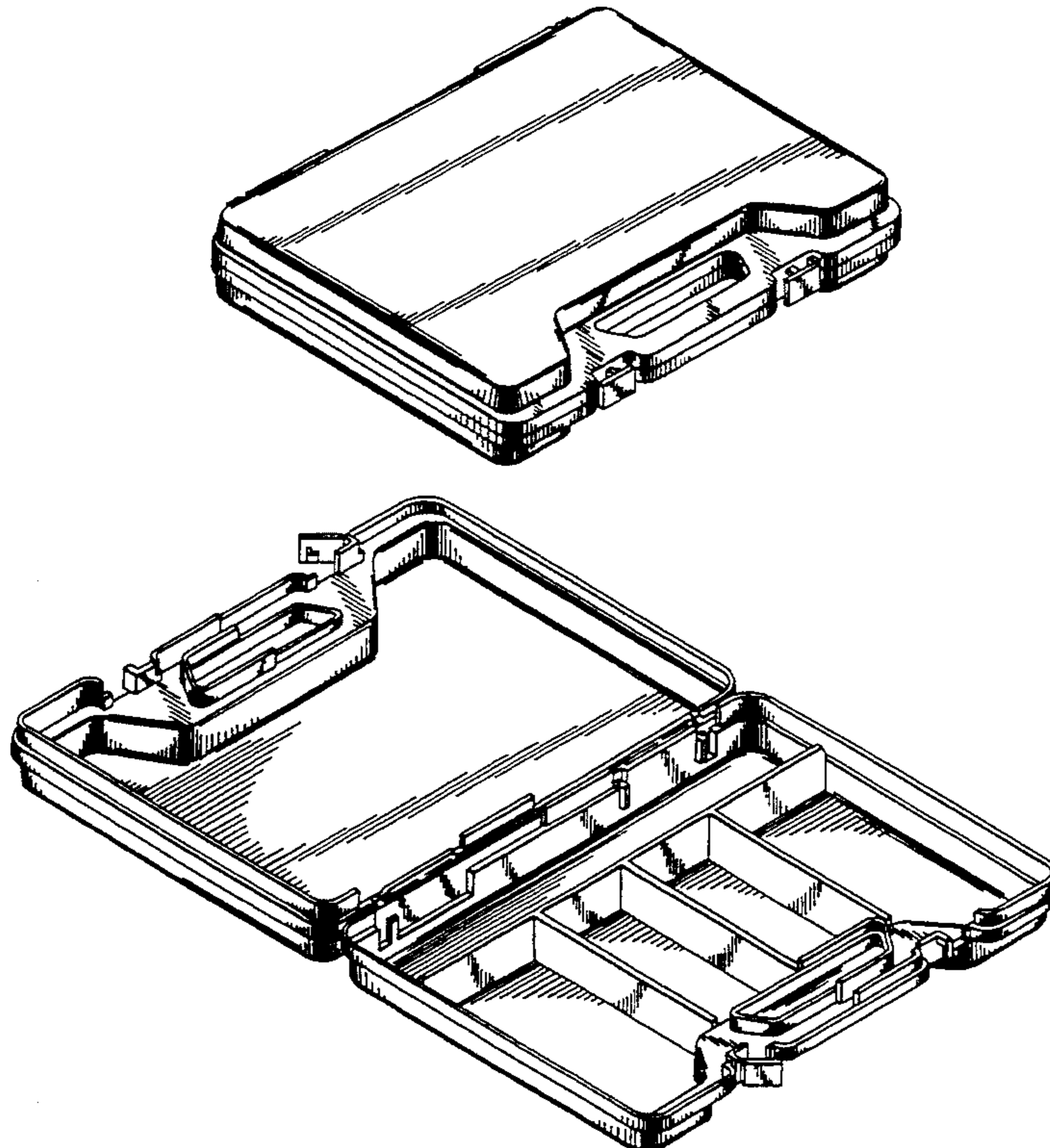
FIG. 6 is a left side elevational view thereof;

FIG. 7 is a right side elevational view thereof;

FIG. 8 is a left front perspective view with the carrying case in the open position;

FIG. 9 is a left front perspective view of an alternative embodiment of the carrying case without the internal dividers and shown in the open position; and,

FIG. 10 is a left front perspective view of an alternative embodiment of the carrying case with one half having internal dividers and the other half without internal dividers and shown in the open position.



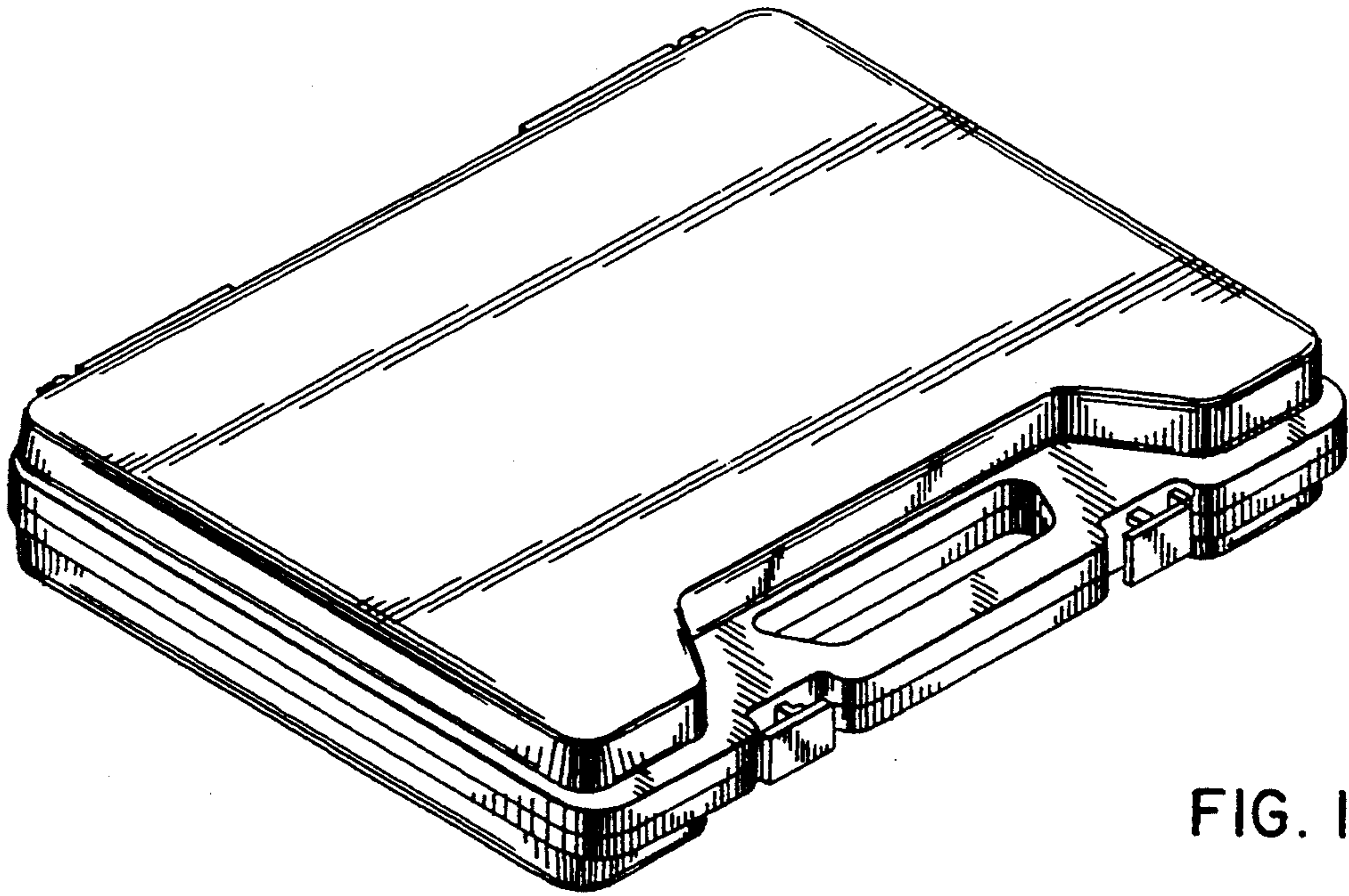
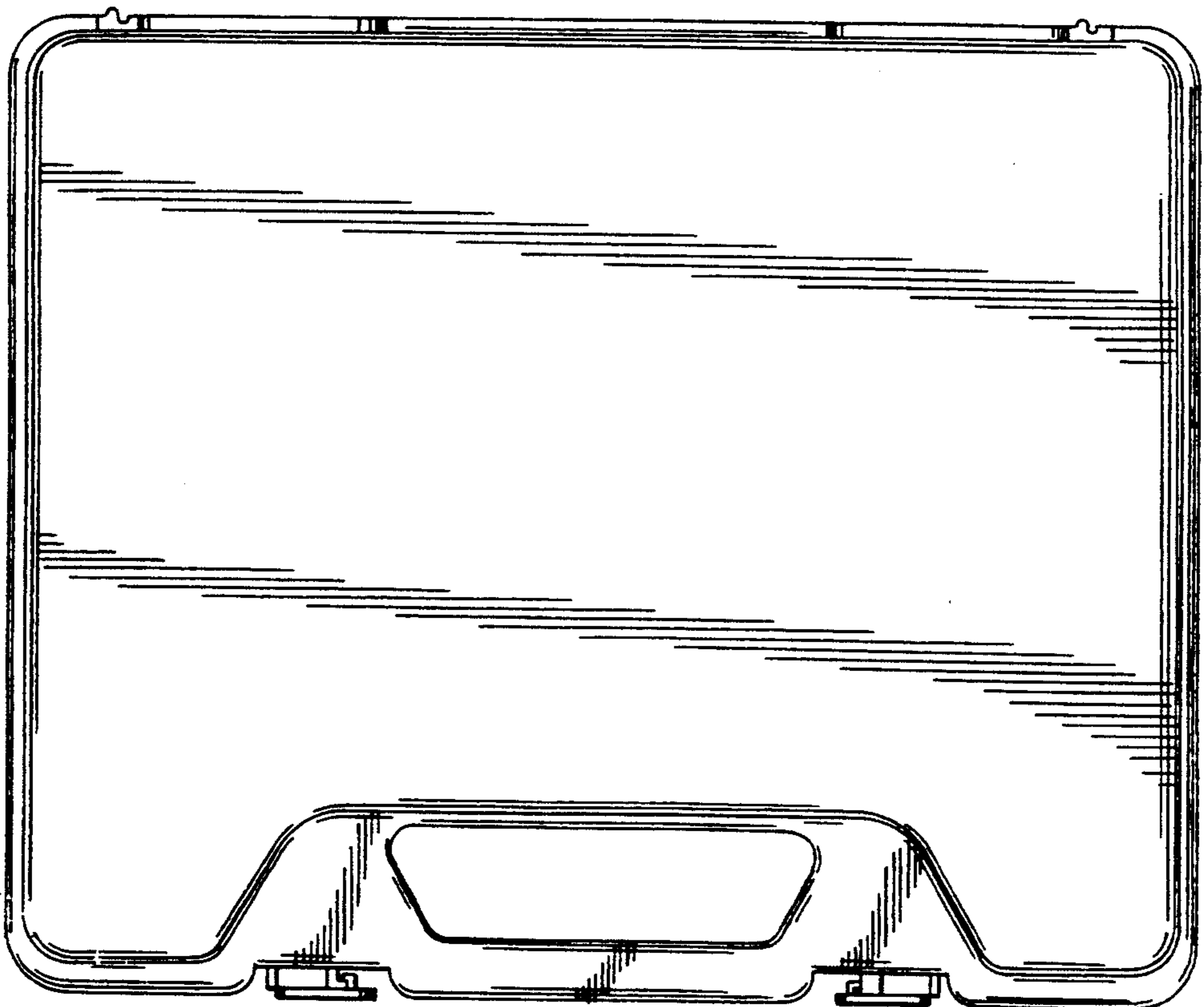


FIG. 1

FIG. 2



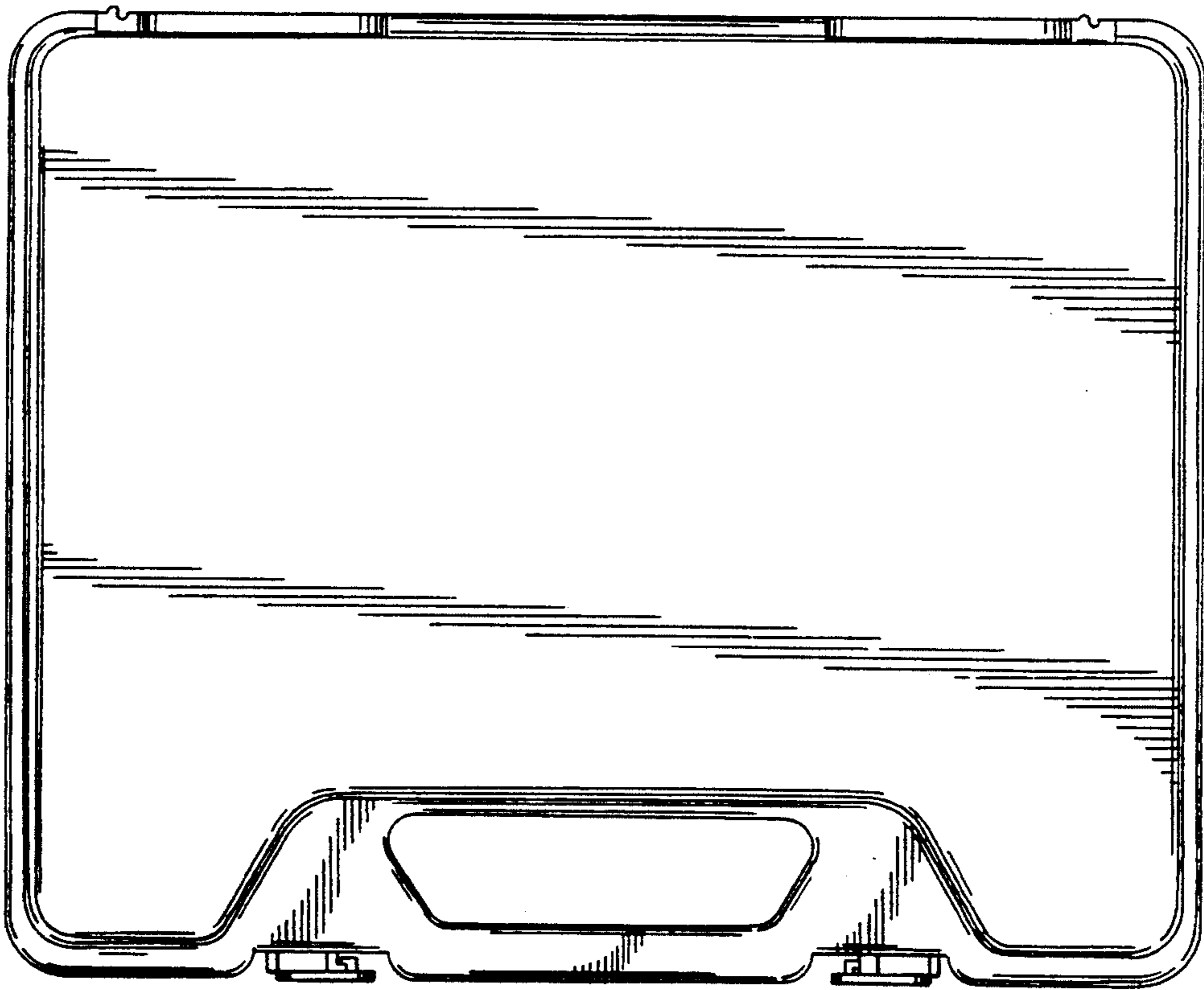


FIG. 3

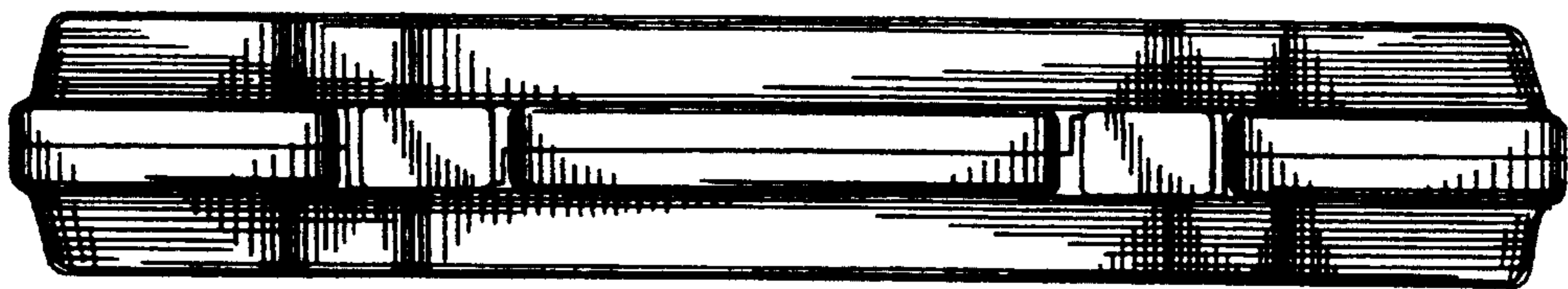


FIG. 4

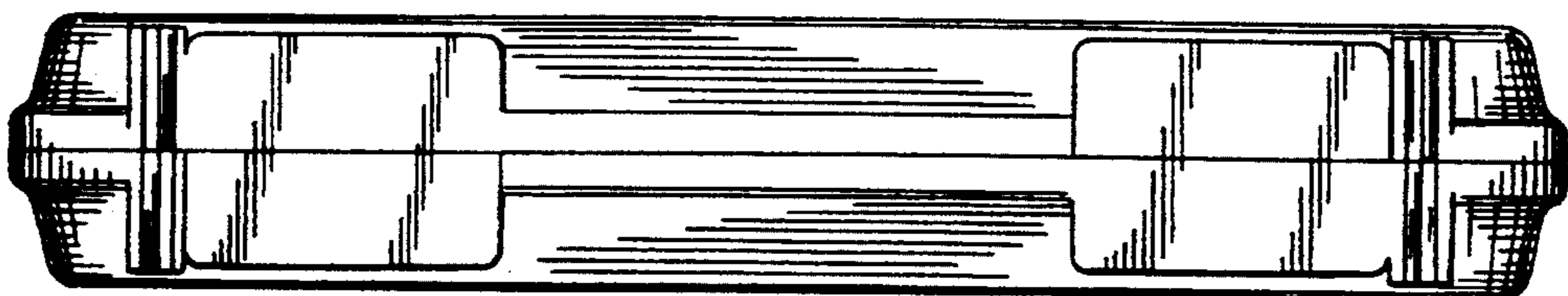


FIG. 5

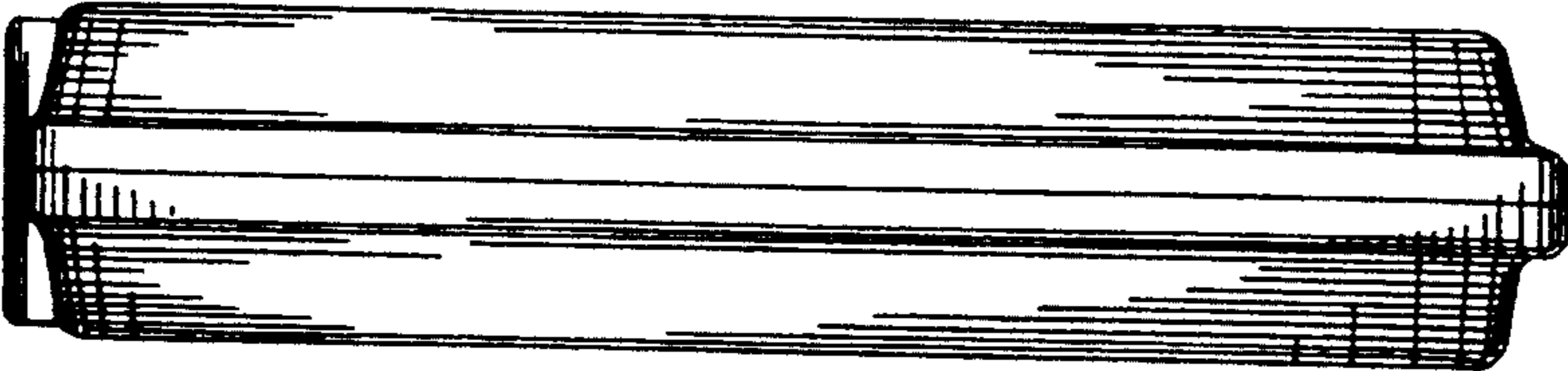


FIG. 6

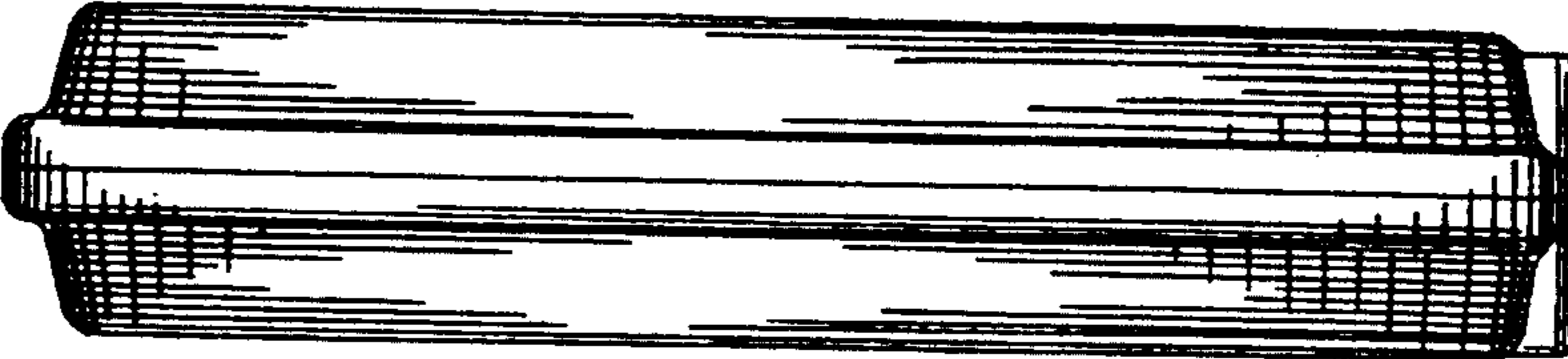


FIG. 7

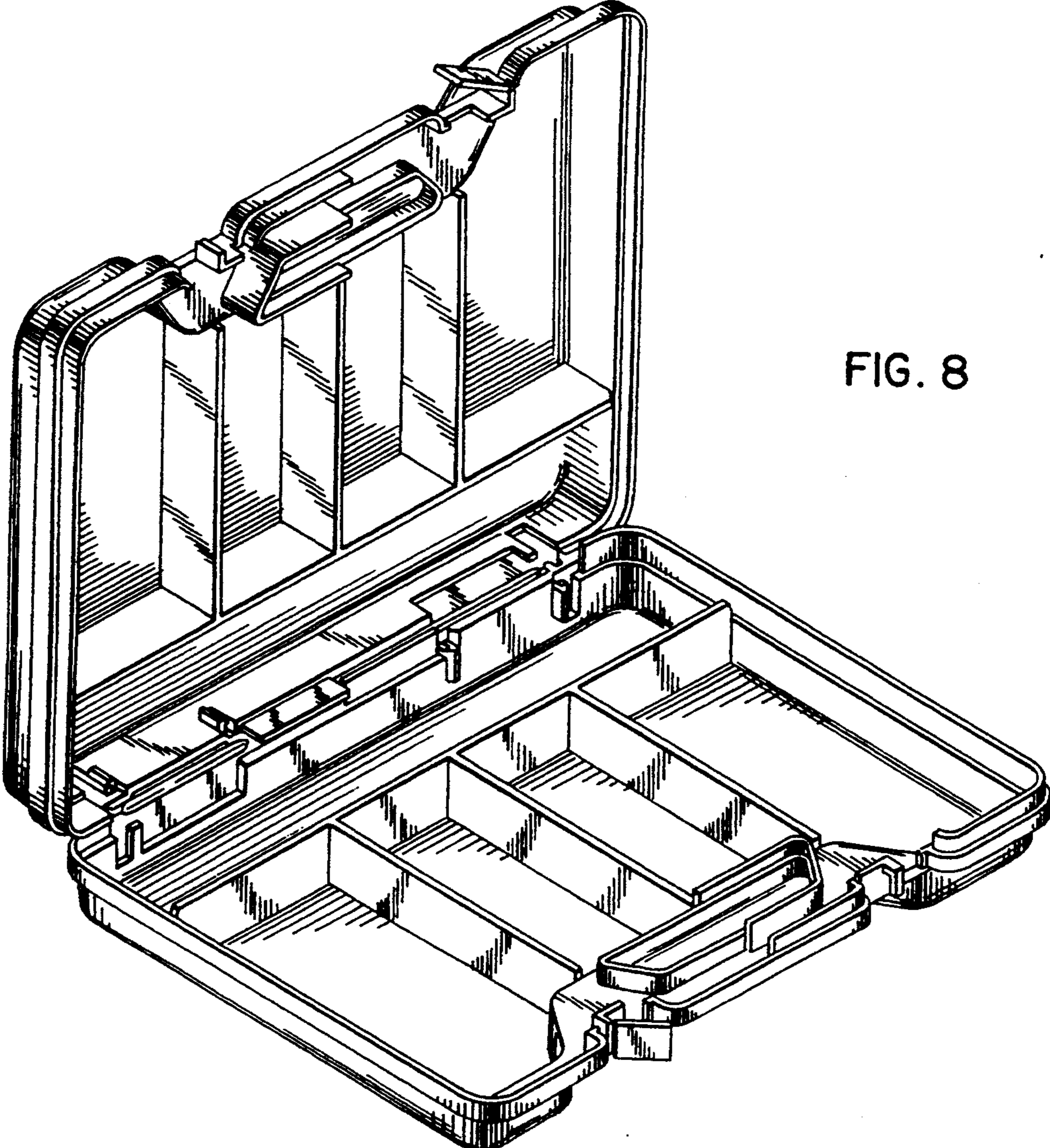


FIG. 8

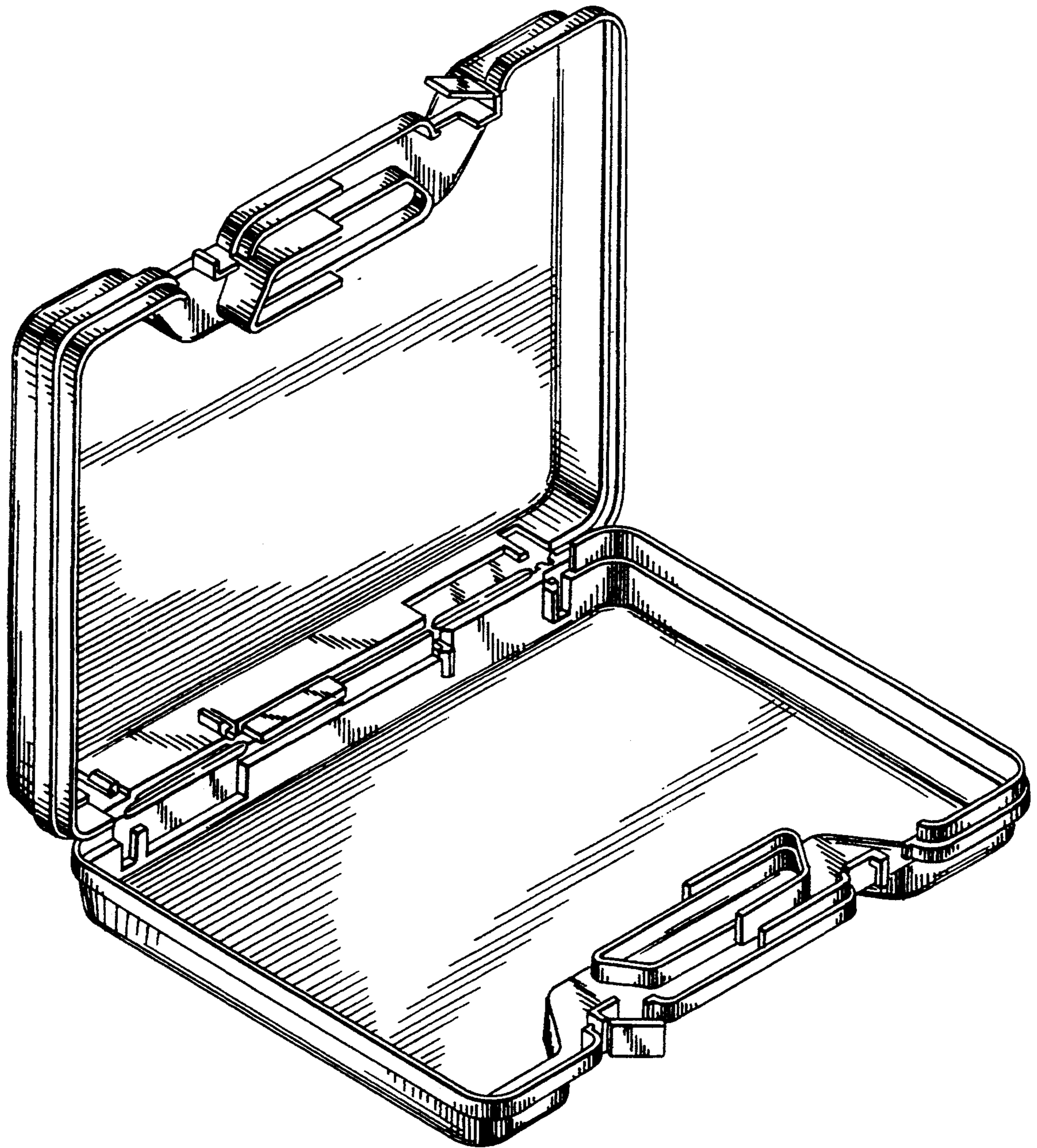
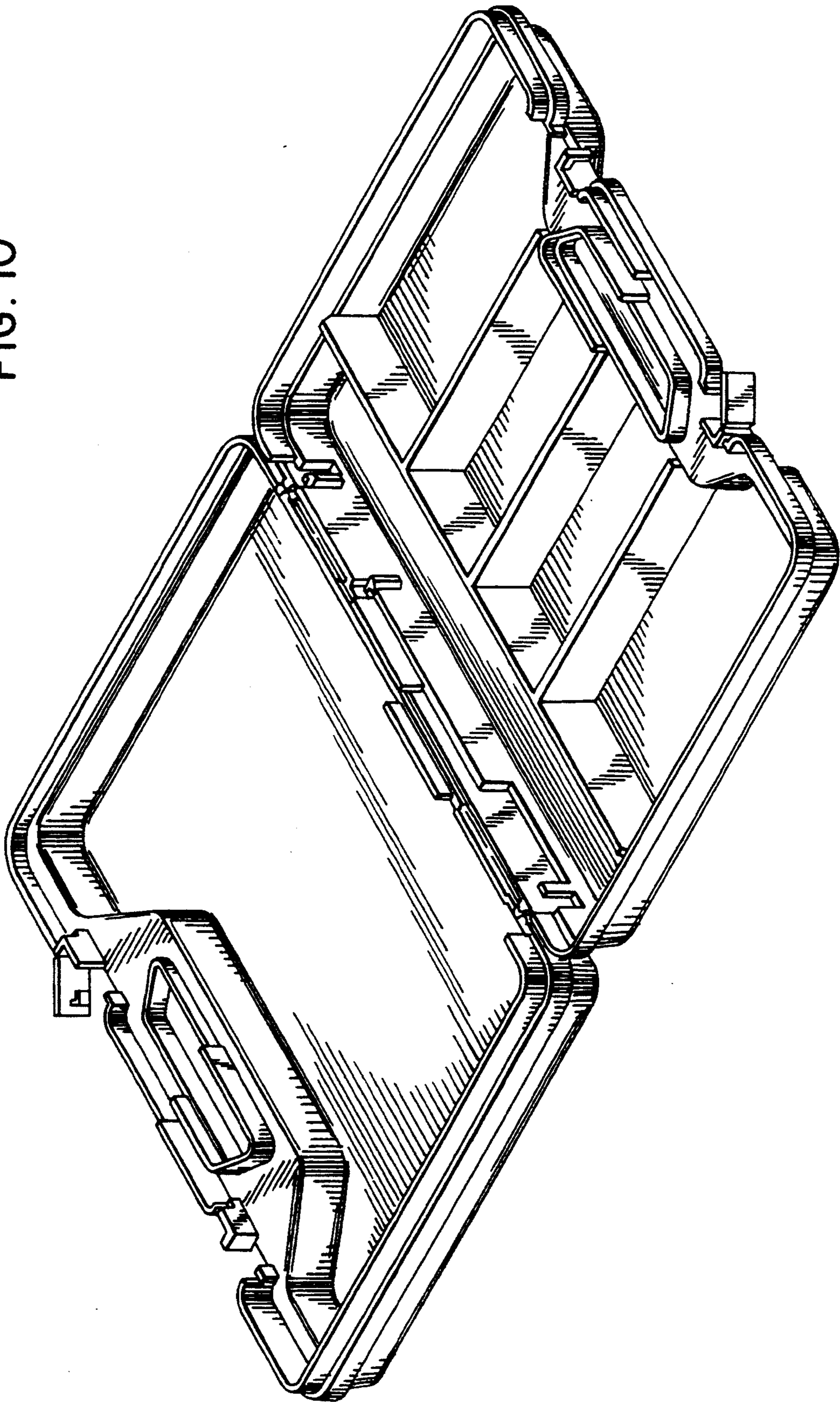


FIG. 9

FIG. 10



UNITED STATES PATENT AND TRADEMARK OFFICE  
**CERTIFICATE OF CORRECTION**

PATENT NO. : Des. 351,504  
DATED : October 18, 1994  
INVENTOR(S) : Tarozzi

It is certified that error appears in the above-identified patent and that said Letters Patent is hereby corrected as shown below:

On the title page, item [56], after the last reference, insert  
--OTHER PUBLICATIONS

Three photographs of Crayola Art Studio case by Binney & Smith  
Inc. 1991

Four photographs of Crayola Art Supply Kit by Binney & Smith  
Inc. 1991--

Signed and Sealed this

Twenty-seventh Day of December, 1994

Attest:



BRUCE LEHMAN

Attesting Officer

Commissioner of Patents and Trademarks