



US00D351502S

# United States Patent [19]

Weir et al.

[11] Patent Number: **Des. 351,502**

[45] Date of Patent: **\*\* Oct. 18, 1994**

- [54] **WHEELED TRUNK**
- [75] Inventors: **James J. Weir**, Chester, Va.; **Richard J. Rekuc**, Pattenburg, N.J.
- [73] Assignee: **Seward Luggage Corporation**, Petersburg, Va.
- [\*\*] Term: **14 Years**
- [21] Appl. No.: **7,802**
- [22] Filed: **May 4, 1993**
- [52] U.S. Cl. .... **D3/272; D3/273; D3/279**
- [58] Field of Search ..... **D3/272, 273, 276, 283, D3/291, 295; 190/18 R, 18 A, 19**

4,192,408	3/1980	Walker .....	190/18 A
4,229,855	10/1980	Rowe .....	16/29
4,244,452	1/1981	Seynhaeve .....	190/18 A
5,181,590	1/1993	Carpenter et al. ....	190/18 A

*Primary Examiner*—Bernard Ansher  
*Assistant Examiner*—Dominic Simone  
*Attorney, Agent, or Firm*—Marks & Murase

### [57] CLAIM

The ornamental design for a wheeled trunk, as shown and described.

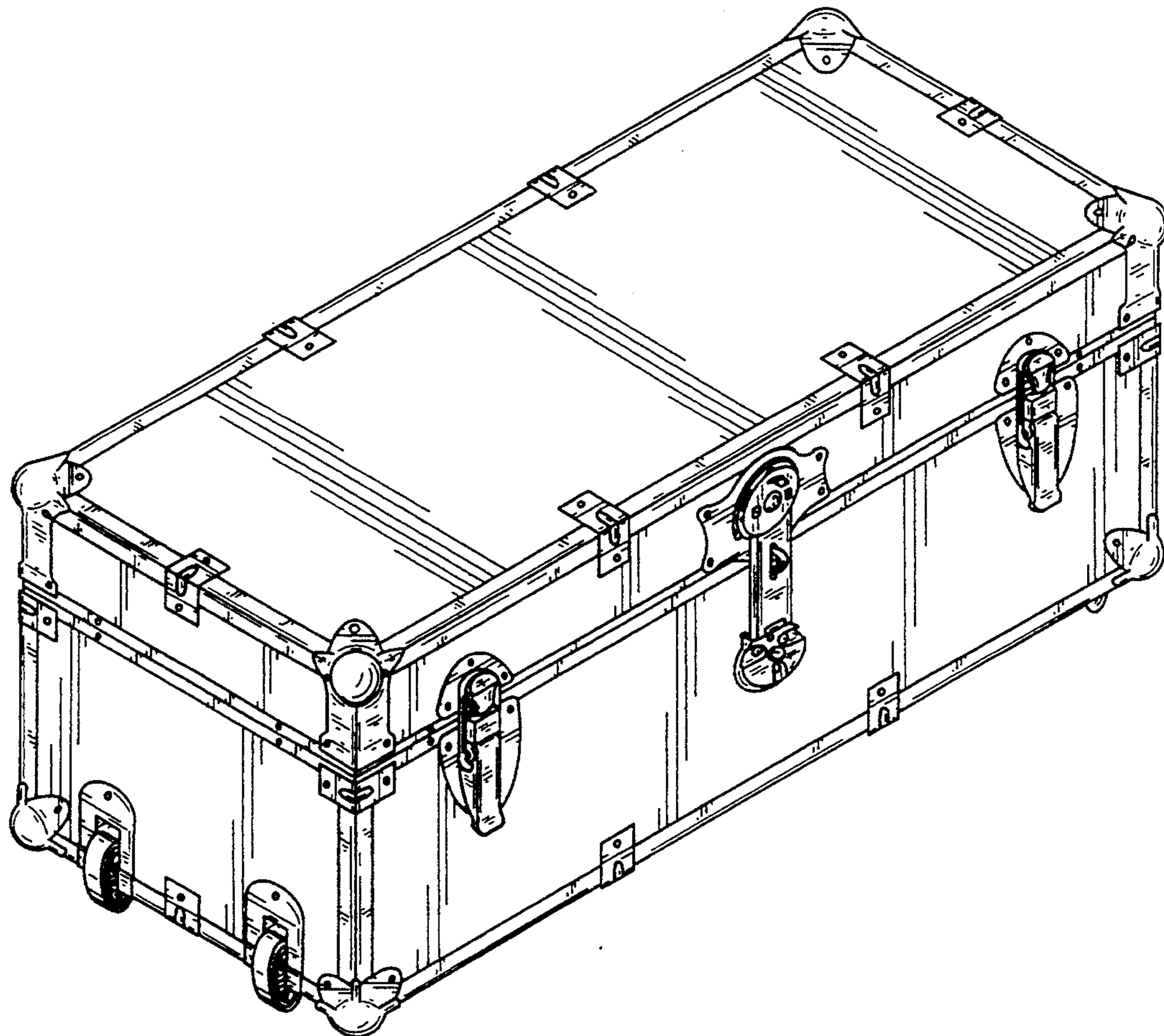
### DESCRIPTION

FIG. 1 is a perspective view of a wheeled trunk showing my new design;  
 FIG. 2 is a top view of my new design as viewed in FIG. 1;  
 FIG. 3 is a bottom view of my new design as viewed in FIG. 1;  
 FIG. 4 is a right end view of my new design as viewed in FIG. 1;  
 FIG. 5 is a left end view of my new design as viewed in FIG. 1;  
 FIG. 6 is a back side view of my new design as viewed in FIG. 1; and,  
 FIG. 7 is a front side view of my new design as viewed in FIG. 1.

### [56] References Cited

#### U.S. PATENT DOCUMENTS

D. 67,941	8/1925	Bartlett .....	D3/272
D. 247,993	5/1978	Calyone, III .....	D3/292 X
711,881	10/1902	Rubens .....	190/18 R
1,057,723	4/1913	Gordon-Glassford .....	190/18 A X
1,533,856	4/1925	Harrison .....	190/19
2,439,660	4/1948	Keil .....	280/37
3,163,268	12/1964	Leavell .....	190/18
3,606,372	9/1971	Browning .....	280/47
3,948,365	4/1976	Gregg et al. ....	190/18 A



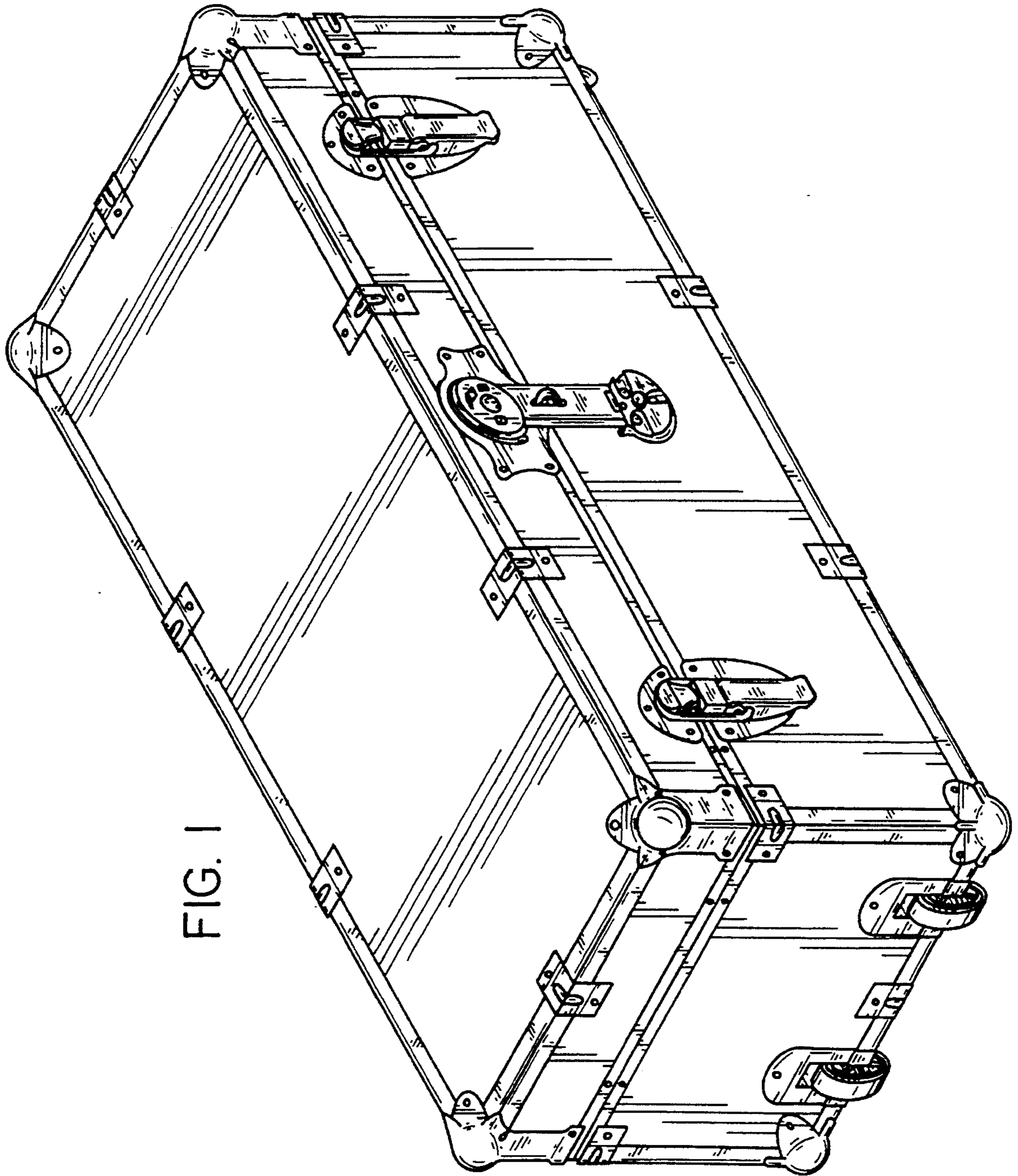


FIG. 1

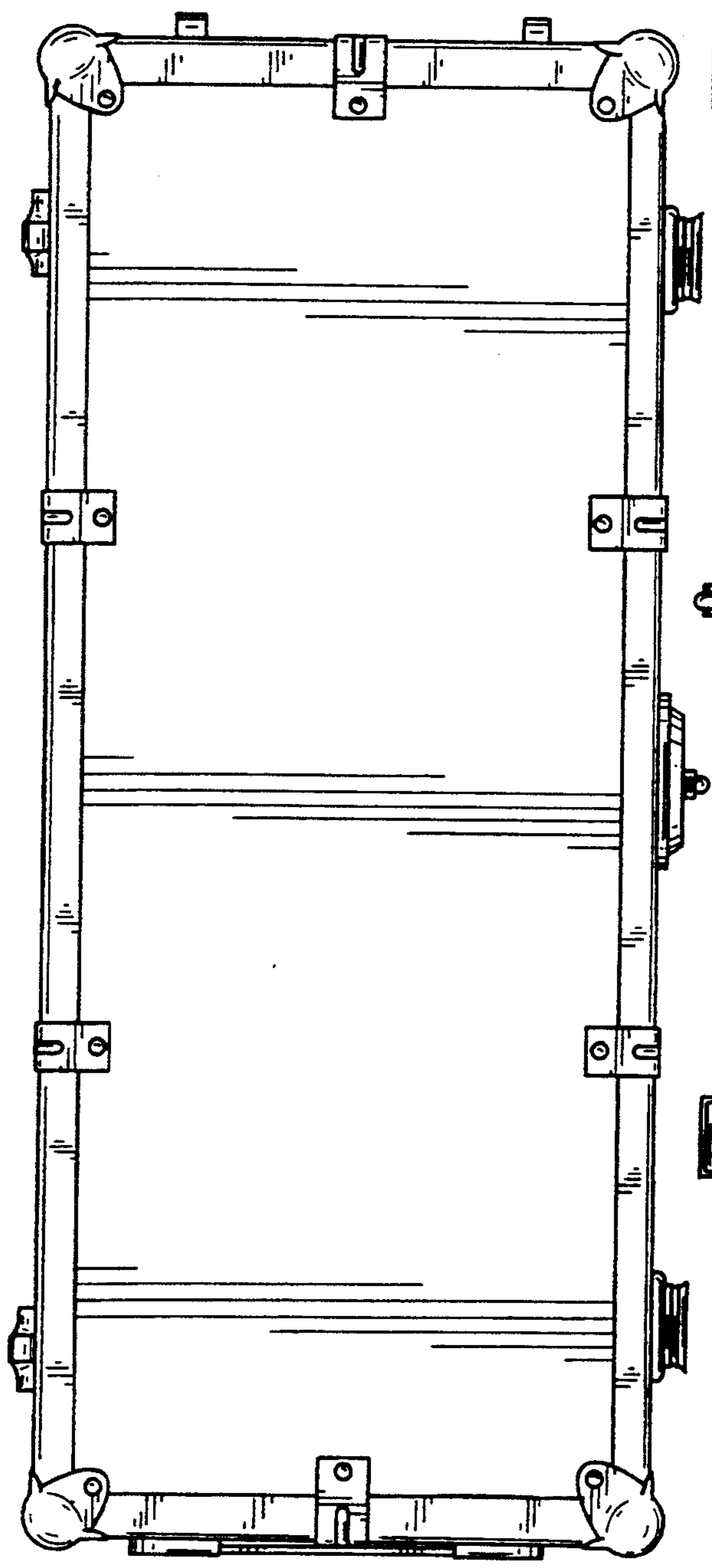


FIG. 2

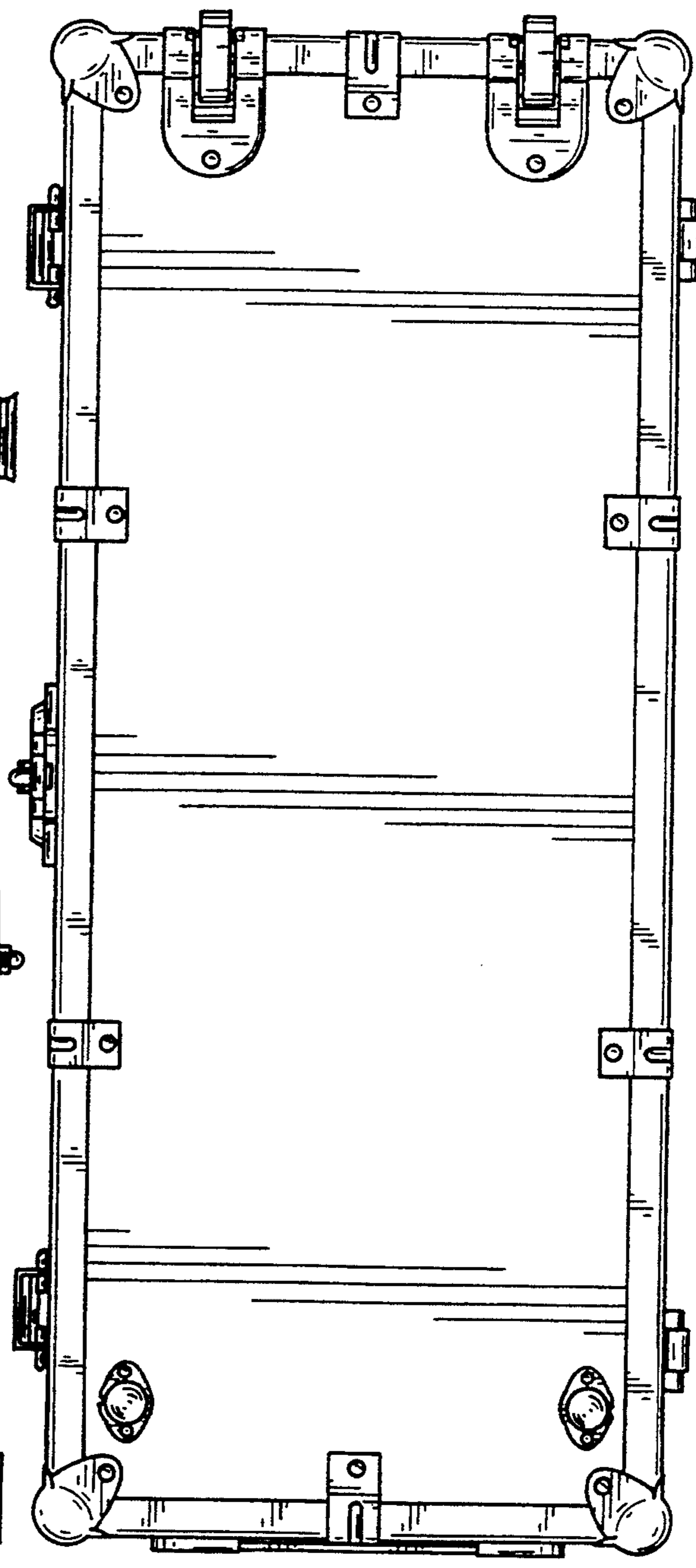


FIG. 3

FIG. 4

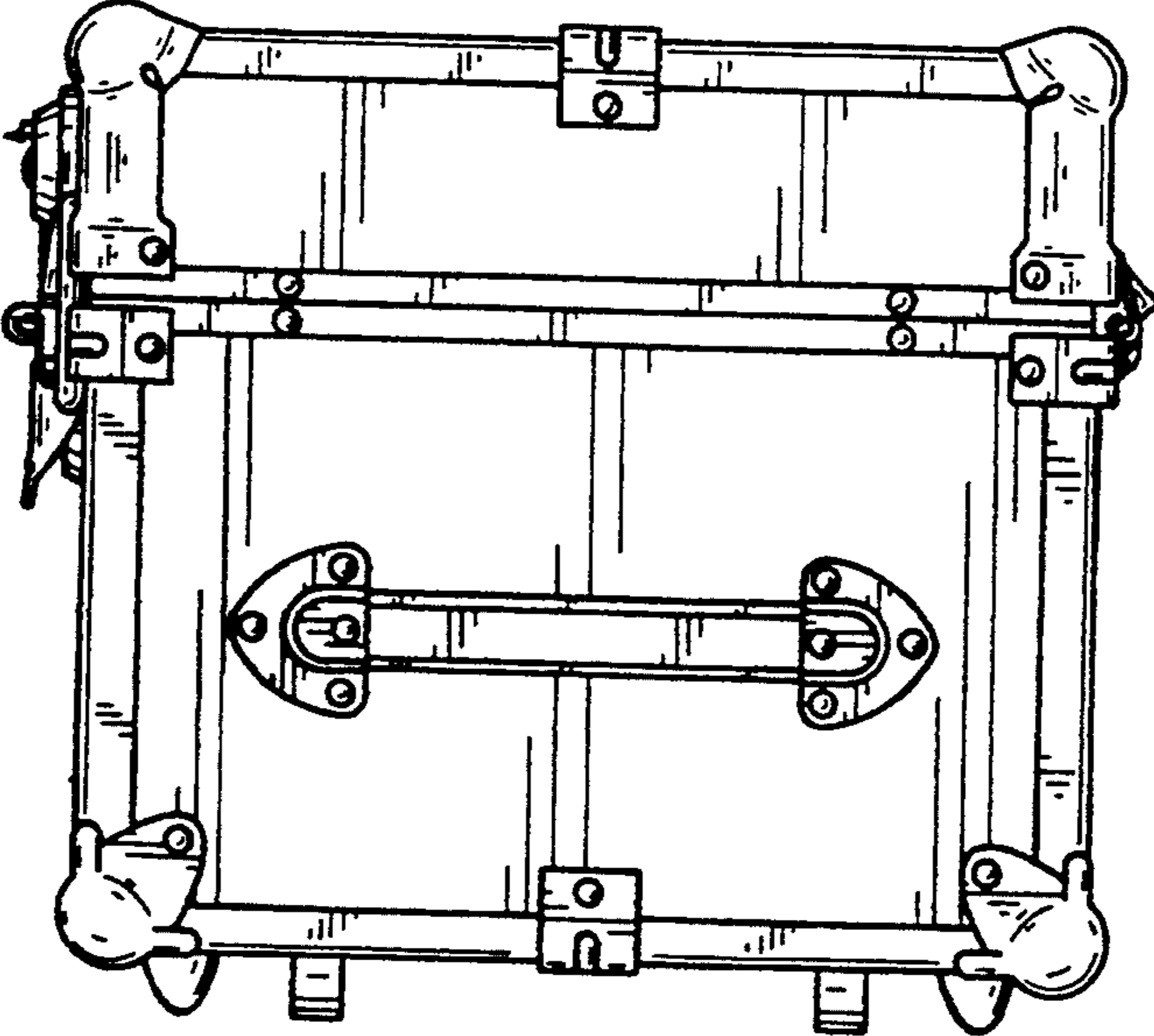
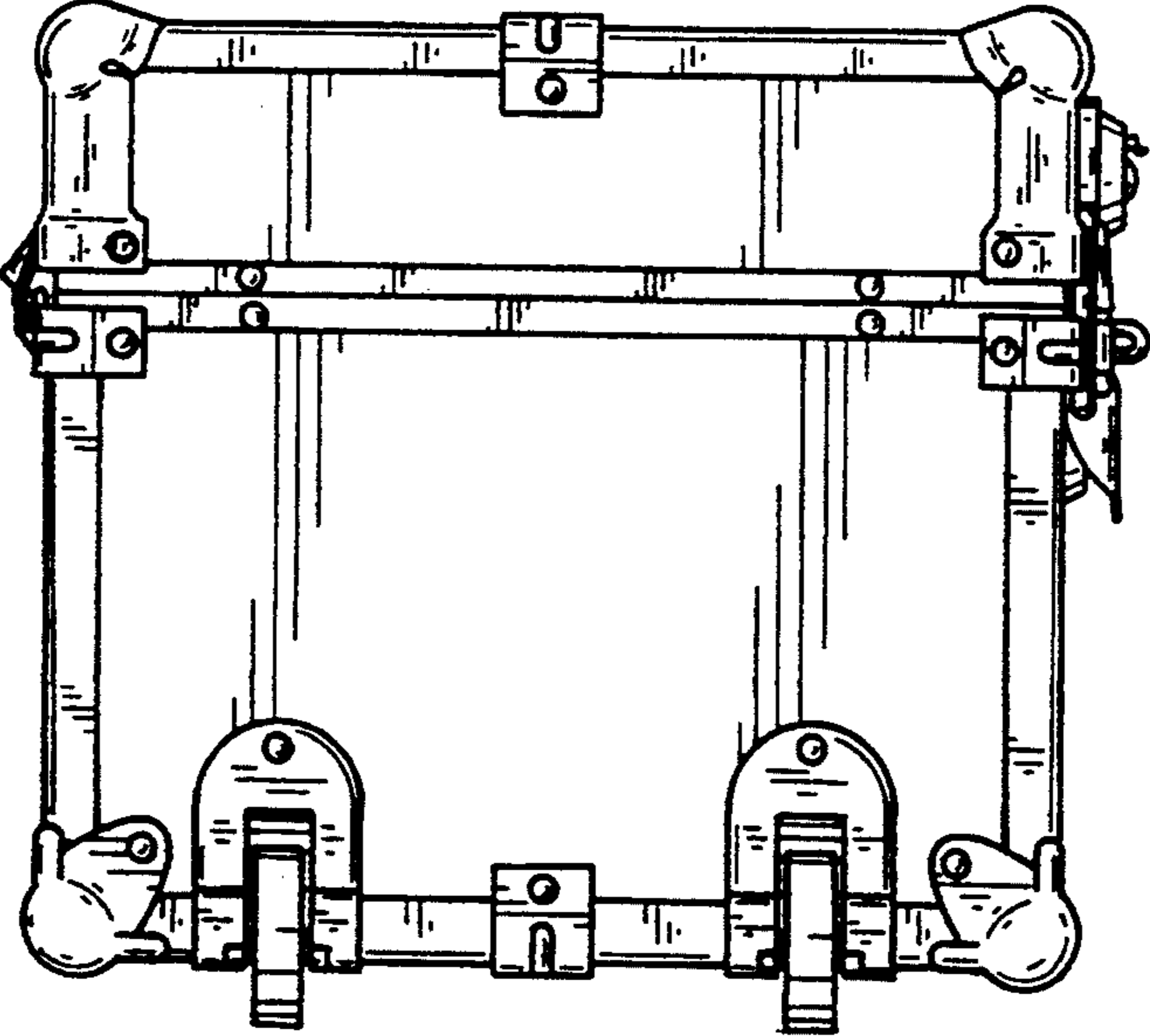


FIG. 5



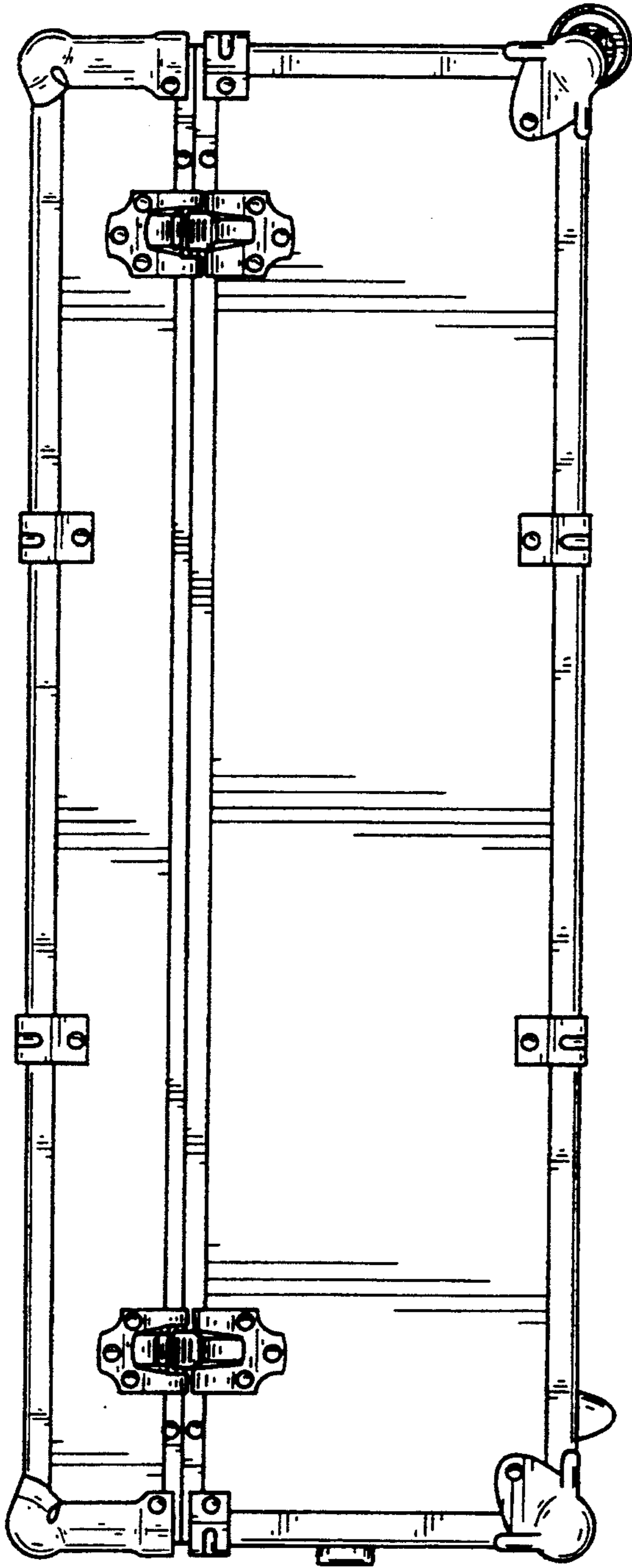


FIG. 6

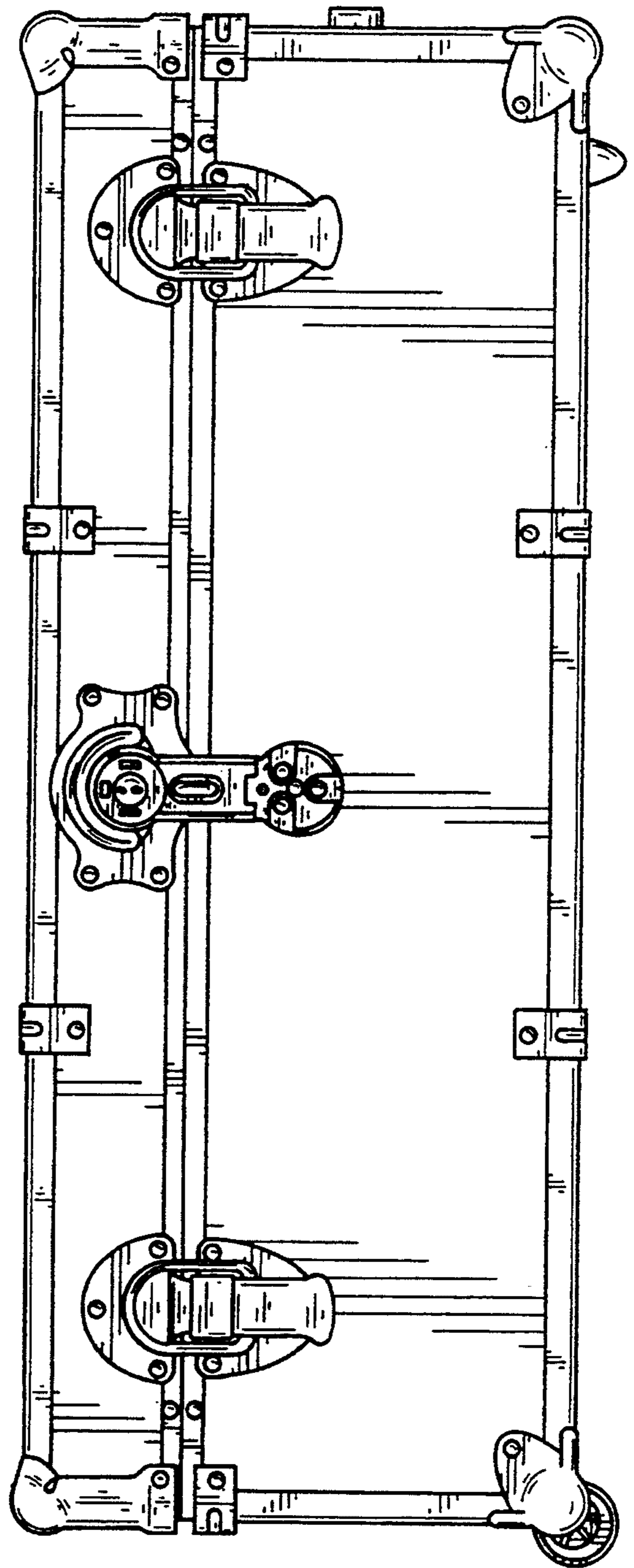


FIG. 7