



US00D351499S

United States Patent [19]

Gay et al.

[11] Patent Number: **Des. 351,499**

[45] Date of Patent: **** Oct. 18, 1994**

[54] **CASE FOR A MULTIMEDIA MARKETING SYSTEM**

[76] Inventors: **Jean-Philippe Gay**, Image Works, 19725 Sherman Way, Ste. 385, Canoga Park, Calif. 91306; **Douglas M. Brown, III**, 5225 Penfield Ave., Woodland Hills, Calif. 91364

[**] Term: **14 Years**

[21] Appl. No.: **7,397**

[22] Filed: **Apr. 19, 1993**

[52] U.S. Cl. **D3/201; D3/274; D3/276**

[58] **Field of Search** **D3/215, 201, 202, 229, D3/274, 276, 291, 315; D8/71; 190/106; 224/45 R, 148, 270, 914, 232; 294/137, 15**

[56] **References Cited**

U.S. PATENT DOCUMENTS

D. 185,051	4/1959	Uyeda et al.	D3/291
D. 245,455	8/1977	Cathey	D3/276
D. 294,822	3/1988	Bannigan	D3/274
D. 314,667	2/1991	Hussain	D3/274
D. 316,482	4/1991	Boitani	D3/274
D. 328,642	8/1992	Say	D3/274

D. 337,668	7/1993	van der Molen	D6/407
D. 341,294	11/1993	Doxey	D3/291
4,658,298	4/1987	Takeda et al.	224/908
4,669,053	5/1987	Krenz	361/680
4,837,590	6/1989	Sprague	190/106

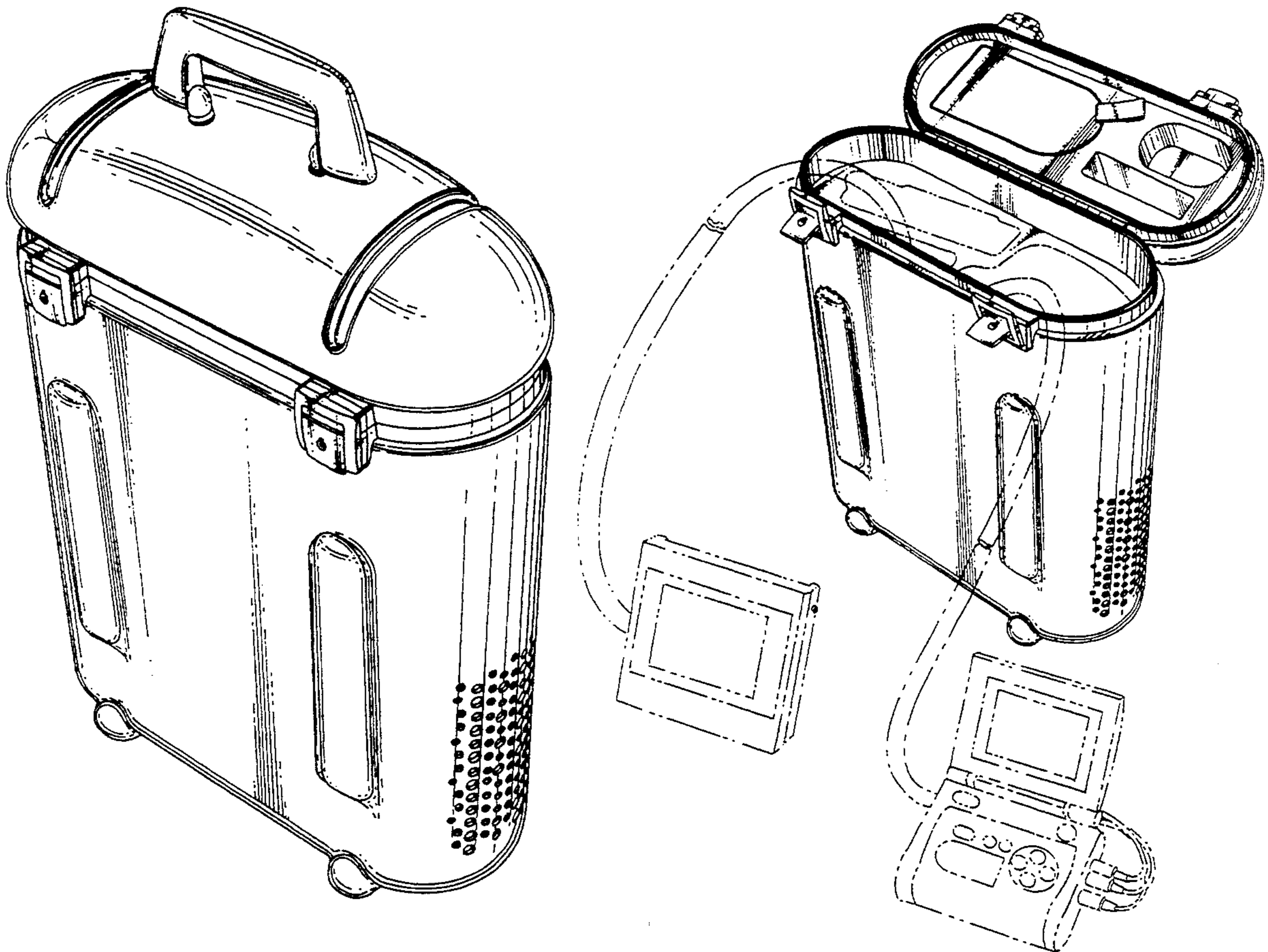
Primary Examiner—Stella Reid
Assistant Examiner—Celia A. Murphy
Attorney, Agent, or Firm—Christie, Parker & Hale

[57] **CLAIM**

The ornamental design for a case for a multimedia marketing system, as shown and described.

DESCRIPTION

FIG. 1 is a perspective view of a case for a multimedia marketing system showing our new design; FIG. 2 is a reduced perspective view thereof, the broken lines showing inner wells and electronic components being for illustrative purposes only and forming no part of the claimed design; FIG. 3 is a top plan view of FIG. 1; FIG. 4 is a front elevational view of FIG. 1; FIG. 5 is a bottom plan view of FIG. 1; FIG. 6 is a rear elevational view of FIG. 1; and, FIG. 7 is a right side elevational view of FIG. 1, the left side being a mirror image.



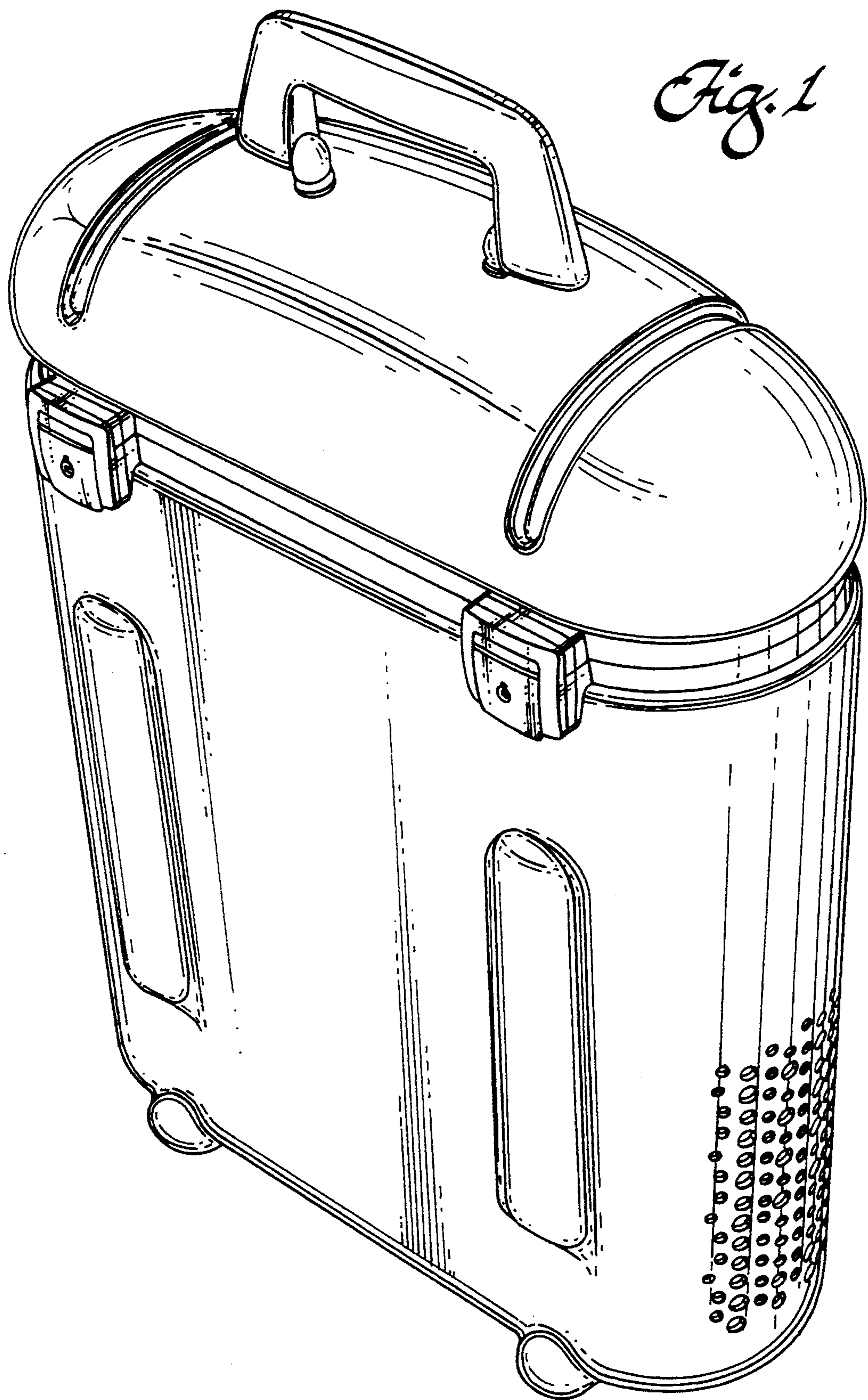


Fig. 2

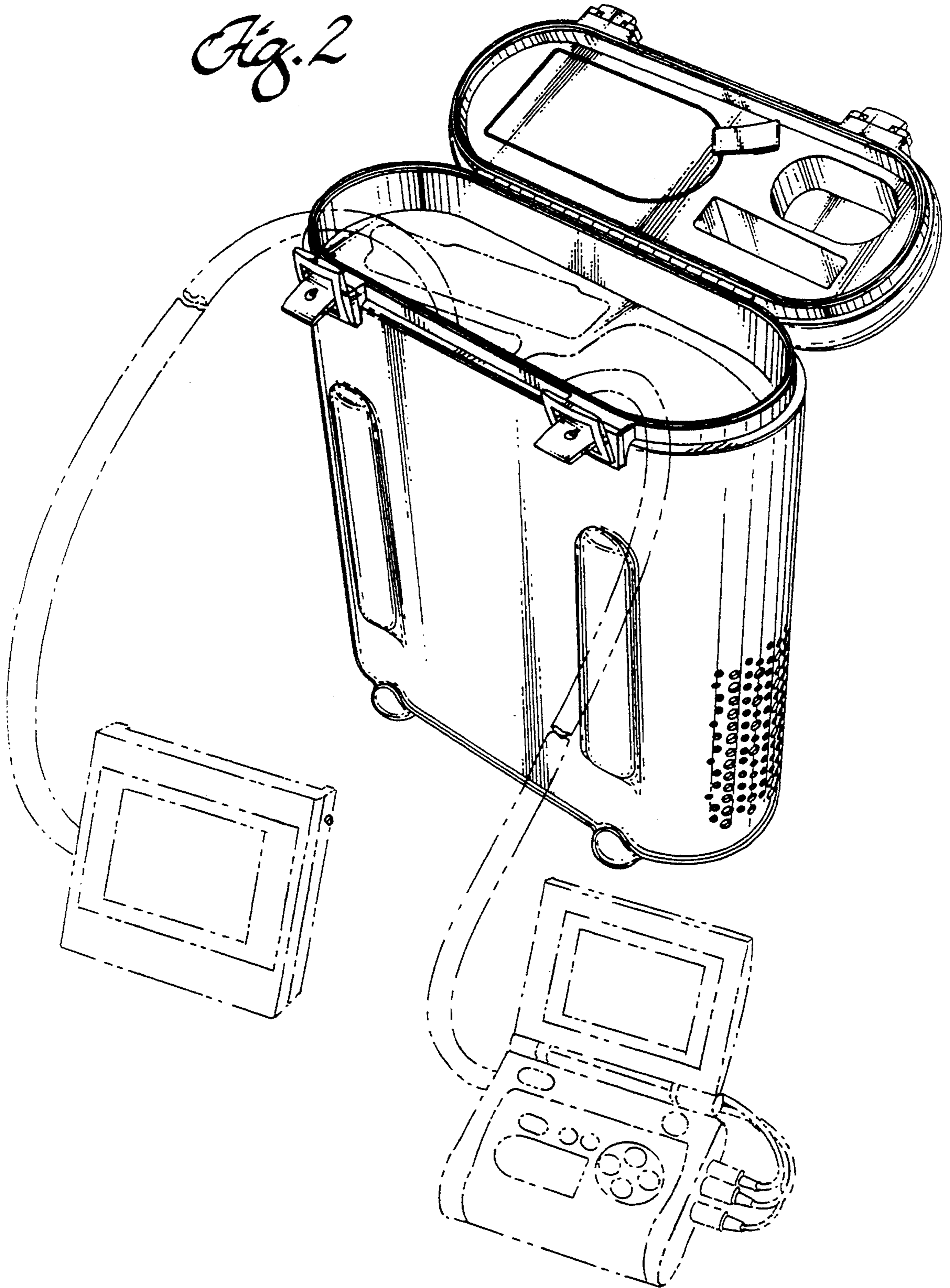


Fig. 3

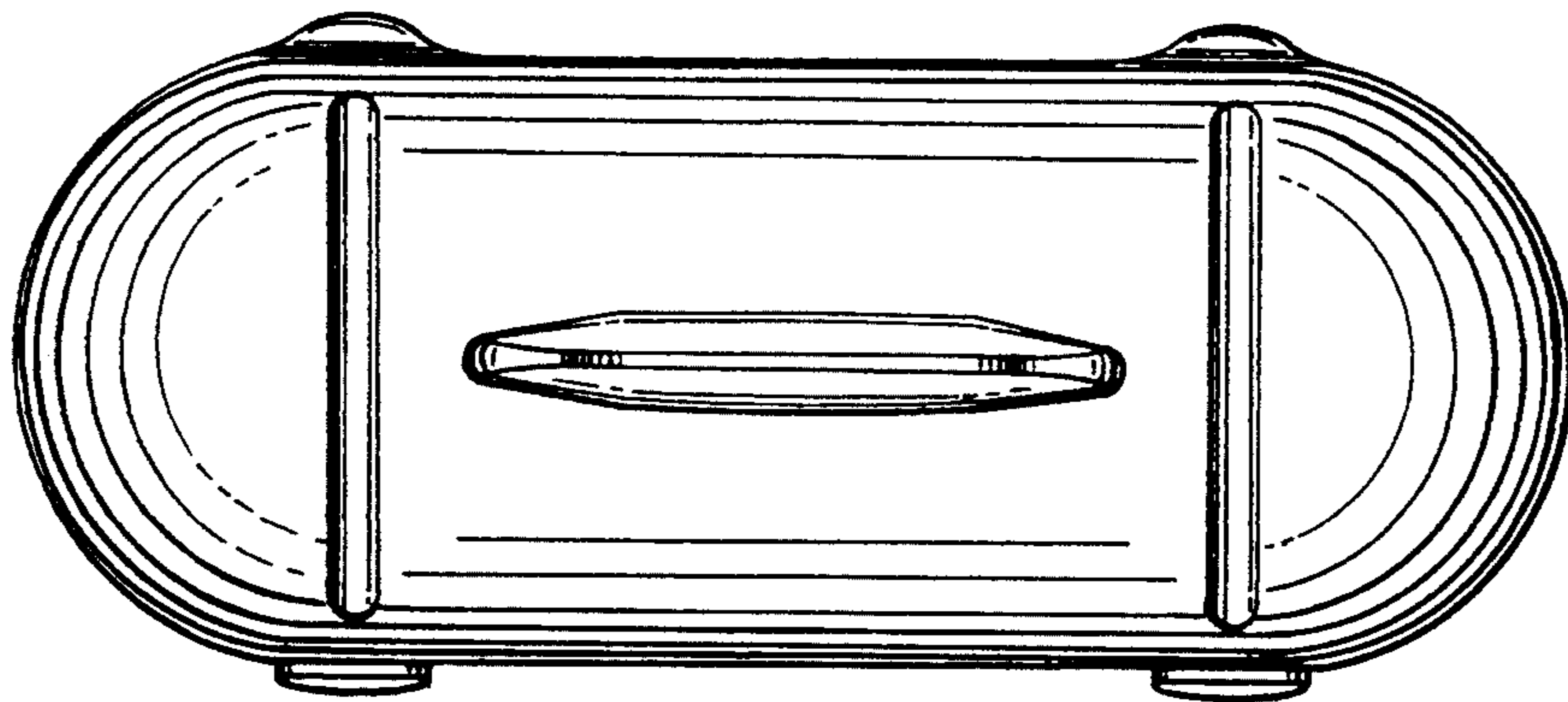


Fig. 4

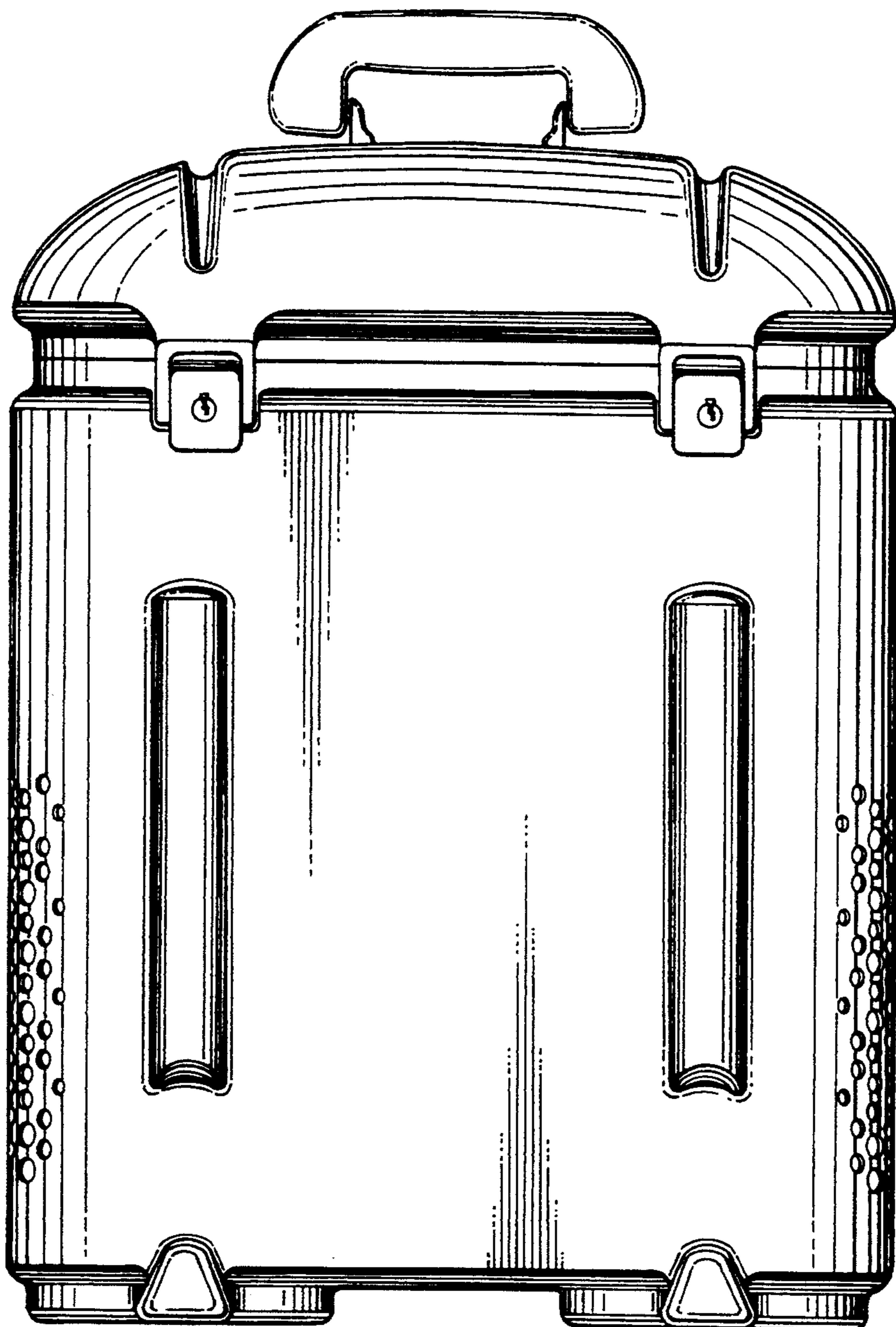


Fig. 5

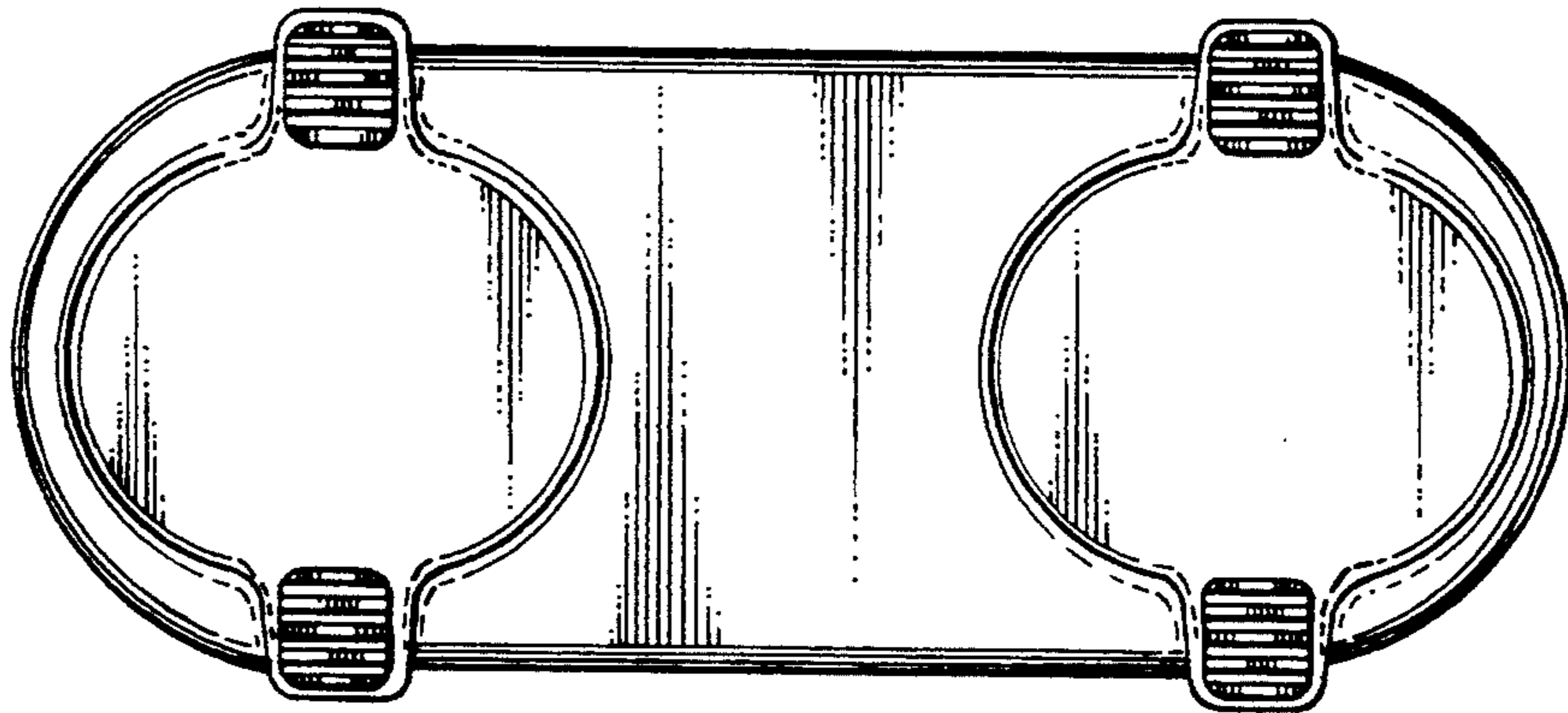


Fig. 6

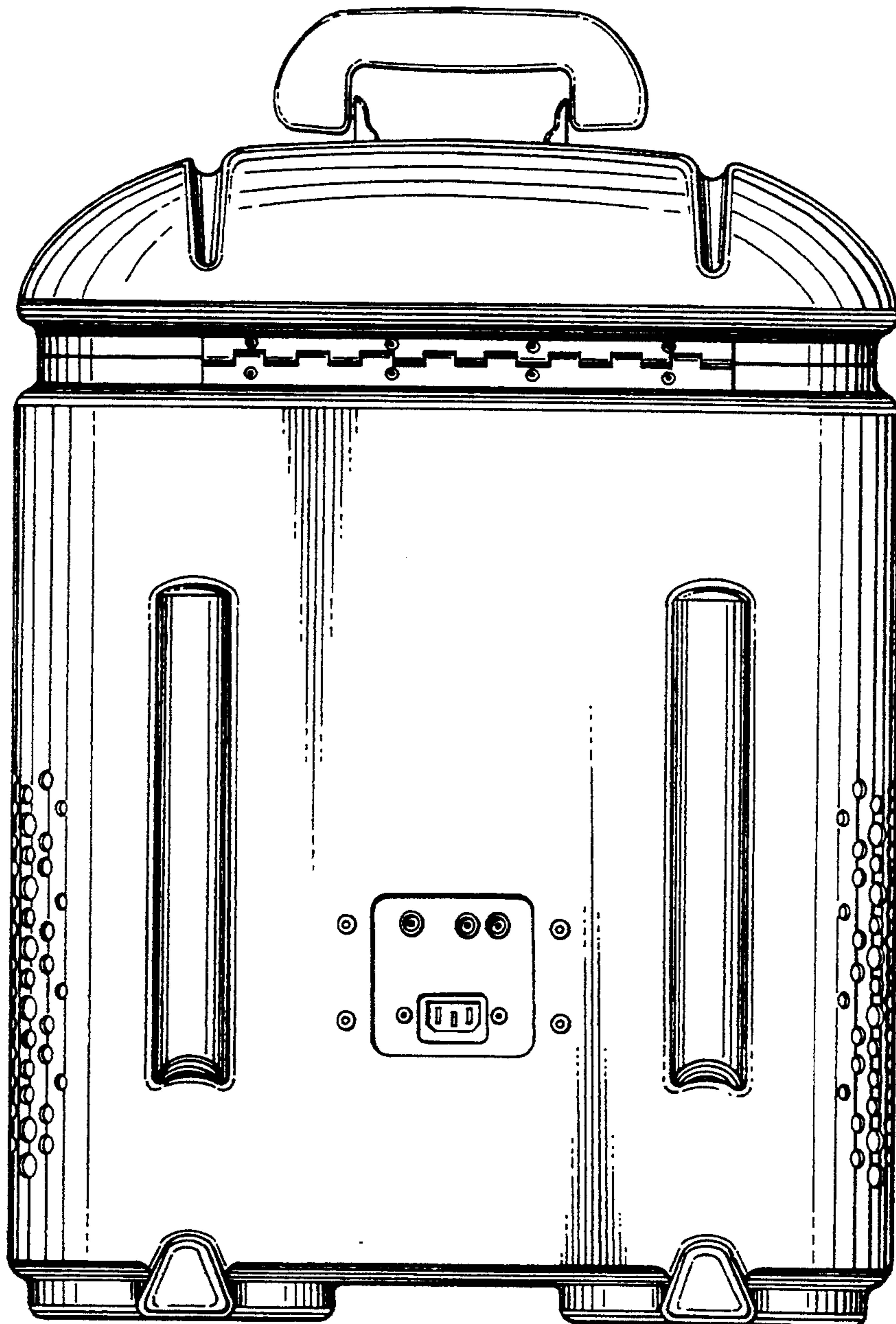


Fig. 7

