



US00D351490S

# United States Patent [19]

[11] Patent Number: Des. 351,490

Hoover

[45] Date of Patent: \*\* Oct. 11, 1994

[54] SURFACE CLEANING APPARATUS

[76] Inventor: Robert E. Hoover, 2837 Elsie Ave., Toledo, Ohio 43613

[\*\*] Term: 14 Years

[21] Appl. No.: 517

[22] Filed: Oct. 16, 1992

[52] U.S. Cl. .... D32/15

[58] Field of Search ..... 51/423, 424, 425, 429; D32/1, 15-16, 21, 23, 25, 31

4,646,481	3/1987	Dickson	51/424
4,693,041	9/1987	Dickson	51/424
4,753,052	6/1988	Dickson	51/424
4,894,959	1/1990	Hoover	51/429
5,142,831	9/1992	Nelson	51/424
5,181,348	1/1993	Roemmele et al.	51/429
5,205,084	4/1993	Roberts	51/425
5,231,805	8/1993	Sander	51/425

OTHER PUBLICATIONS

Nelco Manufacturing, Inc., Porta-Shot Blast Cleaning, Aug. 1984, USA.

Primary Examiner—Ruth McInroy  
Attorney, Agent, or Firm—Howard & Howard

[56] References Cited

U.S. PATENT DOCUMENTS

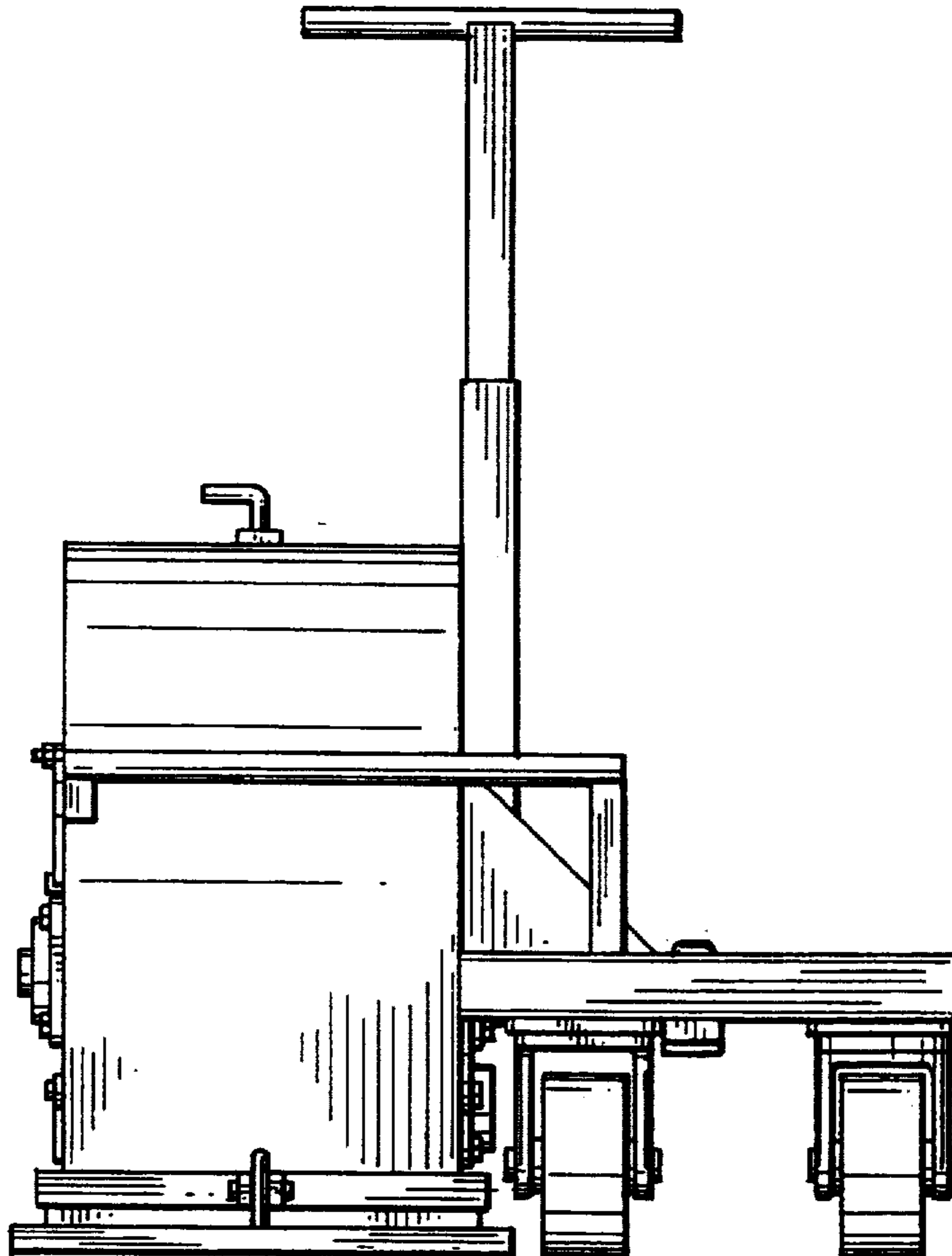
D. 314,257	1/1991	Hoover	D32/15
1,763,397	6/1930	Hutchinson	
3,660,943	5/1972	Barnthouse	51/9
3,691,689	9/1972	Goff	51/9
4,052,820	11/1977	Bergh	51/423
4,336,671	6/1982	Nelson	51/424
4,376,358	3/1983	Shelton	51/429
4,377,922	3/1983	Bergh	51/424
4,382,352	5/1983	Nelson	51/424
4,406,092	9/1983	Lake et al.	51/425
4,416,092	11/1983	Nelson	51/425
4,433,511	2/1984	Swain	51/424

[57] CLAIM

The ornamental design for a surface cleaning apparatus, as shown and described.

DESCRIPTION

FIG. 1 is a front elevational view of a surface cleaning apparatus showing my new design; FIG. 2 is a right side elevational view thereof; FIG. 3 is a rear elevational view thereof; FIG. 4 is a left side elevational view thereof; and, FIG. 5 is a top plan view thereof.



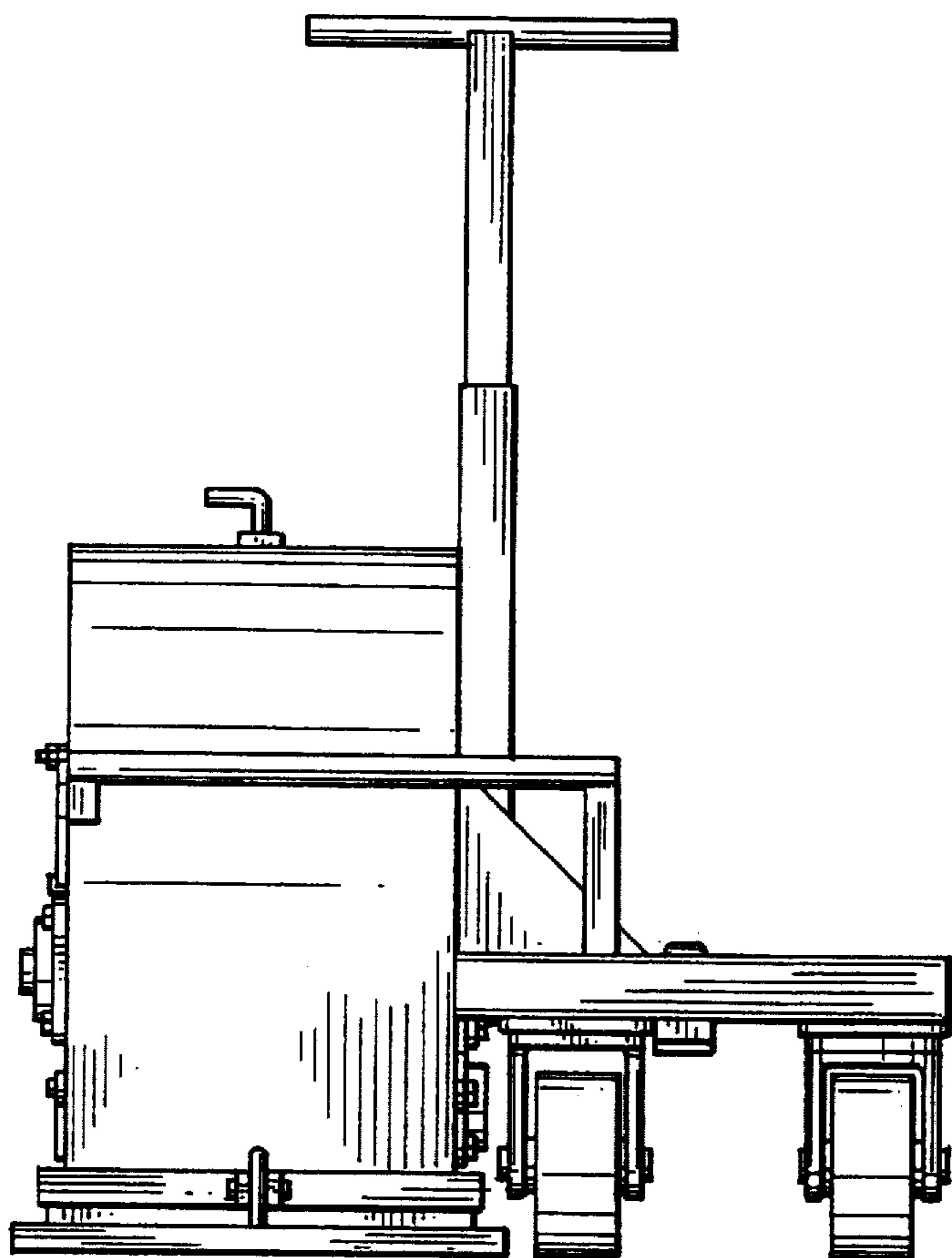


FIG. 1

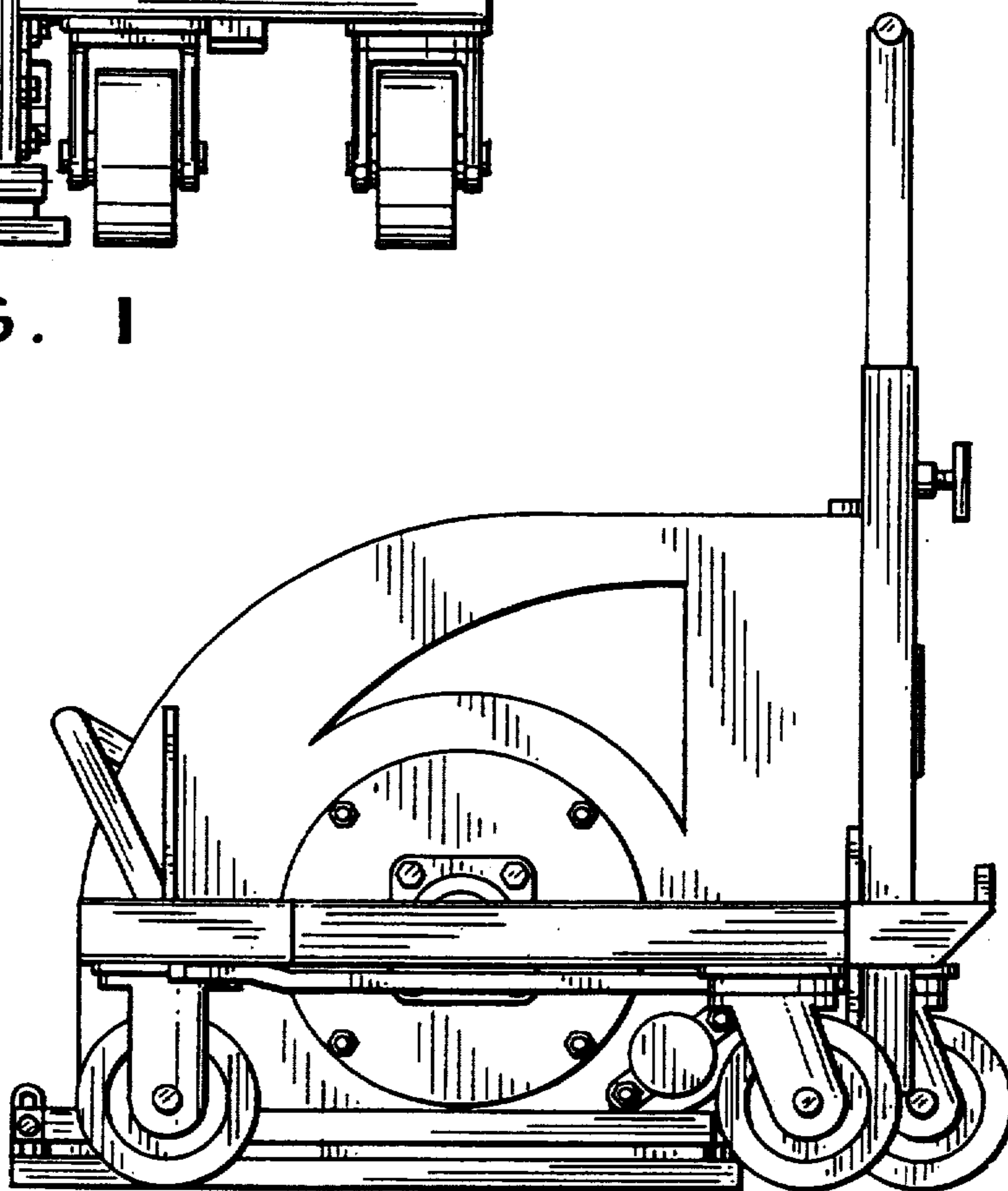


FIG. 2

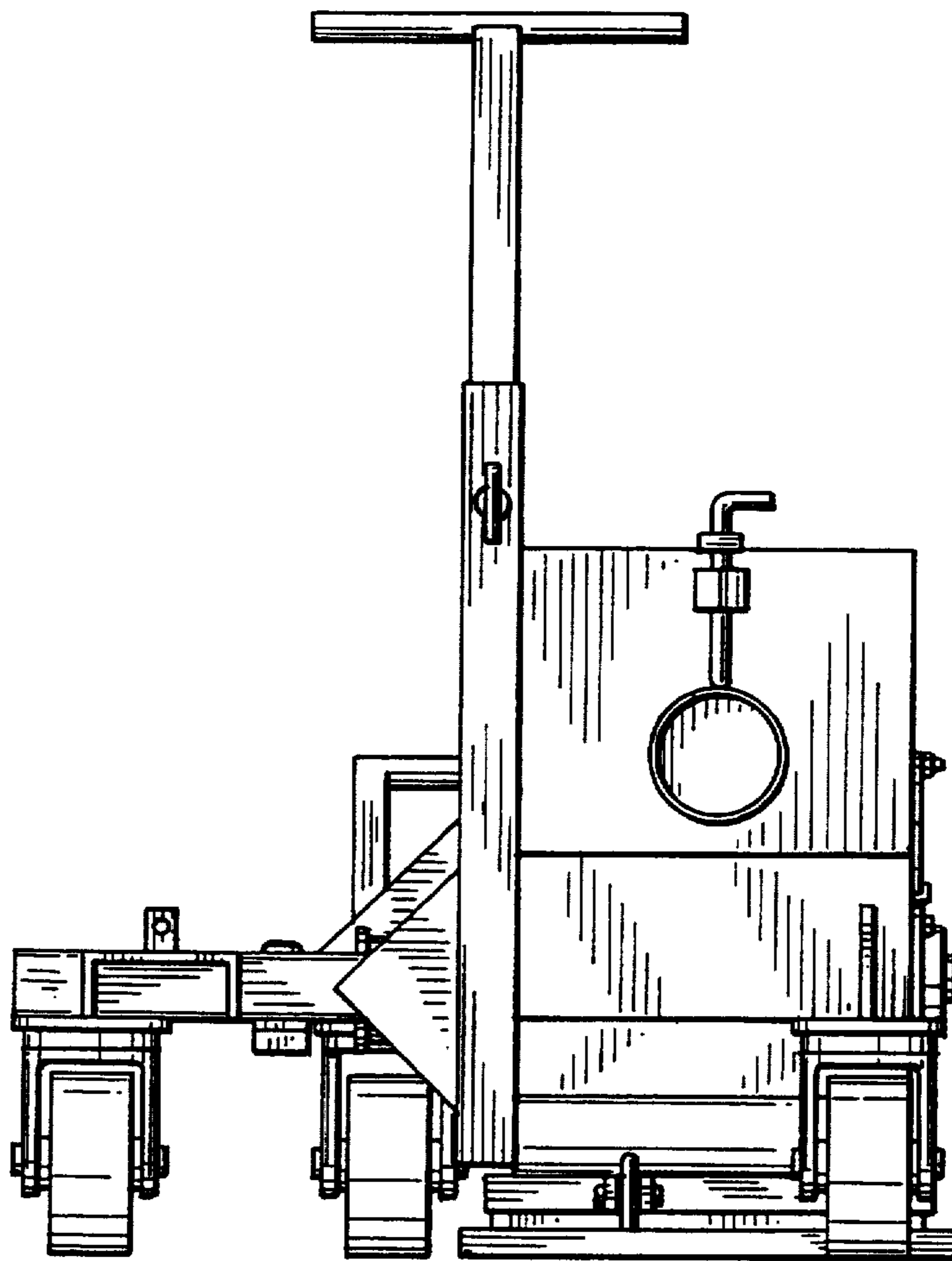


FIG. 3

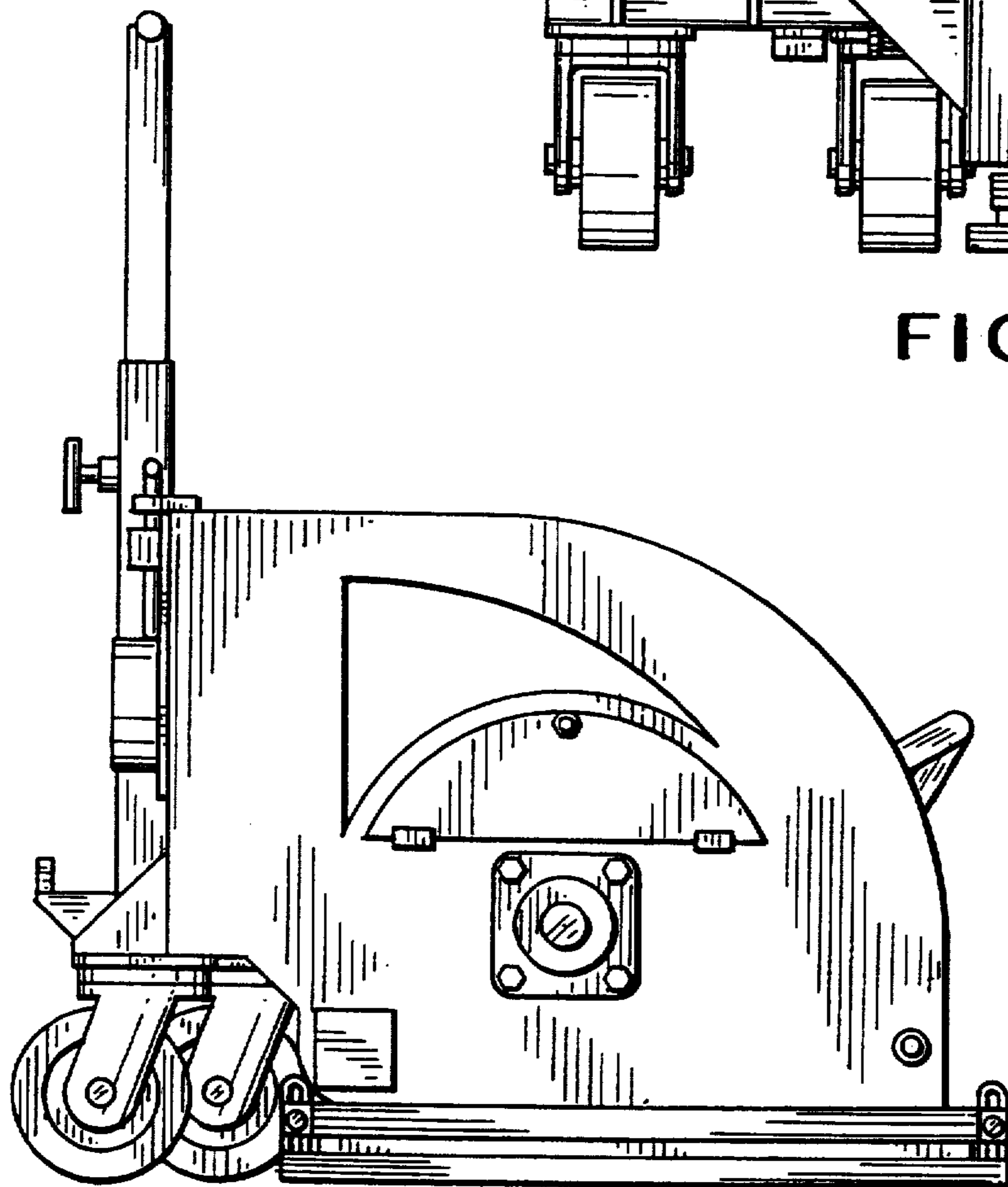


FIG. 4

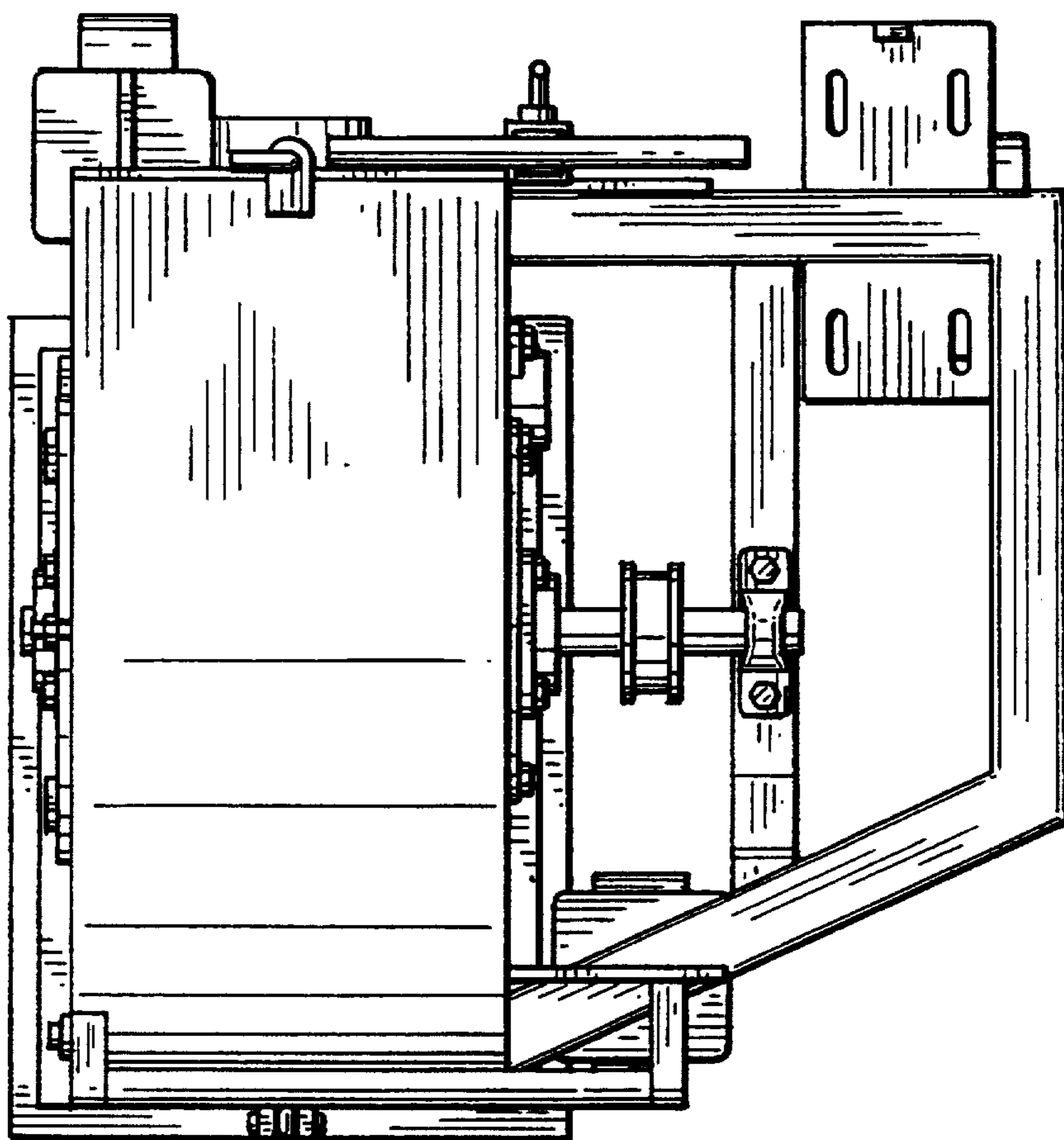


FIG. 5