



US00D351489S

United States Patent [19] Helfrick

[11] Patent Number: **Des. 351,489**
[45] Date of Patent: **** Oct. 11, 1994**

[54] **SIFTING TRAY FOR USE WITH A LITTER PAN**

[76] Inventor: **John K. Helfrick**, 309 Hunter Run Rd., Winchester, Va. 22601

[**] Term: **14 Years**

[21] Appl. No.: **2,982**

[22] Filed: **Dec. 24, 1992**

[52] U.S. Cl. **D30/161; D7/667**

[58] Field of Search **D7/550, 667, 369; 119/19, 165, 169, 170, 166, 618, 6.5; D6/582-583; 4/581-583; 15/215-217; 5/417-420; 209/418, 419, 417, 325, 331, 346; D30/161**

[56] **References Cited**

U.S. PATENT DOCUMENTS

D. 233,771	11/1974	Dirck	D30/161
D. 258,212	2/1981	Negrete	D7/550
D. 289,095	3/1987	Chiodo et al.	119/165
2,963,003	12/1960	Oberg et al.	119/166
2,971,493	2/1961	Robb	119/166
3,141,441	7/1964	Russell	119/166
3,246,630	4/1966	Dearine et al.	119/165
3,716,371	2/1973	Calvert et al.	119/6.5
3,908,597	9/1975	Taylor	119/166
4,171,680	10/1979	Silver et al.	119/165
4,325,325	4/1982	Larter	119/166
4,325,822	4/1982	Miller	119/166
4,505,226	3/1985	Carlson	119/166
4,576,115	3/1986	Gordon	119/265
4,646,684	3/1987	Embry	119/170

4,649,862	3/1987	Neary	119/168
4,771,731	9/1988	Dery et al.	119/166
5,211,133	5/1993	Foley	119/166
5,261,350	11/1993	Vavrek	119/19

FOREIGN PATENT DOCUMENTS

608021	7/1926	France	D30/19 161
910	of 1886	United Kingdom	209/417
141855	9/1919	United Kingdom	209/417

OTHER PUBLICATIONS

Pedigrees The Pet Catalog; p. 14 Item L. #G30-0592 Lift & Sift Litter Box.
Taylor Gifts Catalog; p. 36, item #7493 Lift & Sift Litter Box.
The Oderless Cat Toilet Advertisement in House Beautiful; Sep. 1971; p. 180.

Primary Examiner—Cathy Anne MacCormac
Attorney, Agent, or Firm—Hugh E. Smith

[57] **CLAIM**

The ornamental design for a sifting tray for use with a litter pan, as shown and described.

DESCRIPTION

FIG. 1 is a front elevational view of the sifting tray for use with a litter pan showing my new design; FIG. 2 is a rear elevational view thereof; FIG. 3 is a left side elevational view thereof; FIG. 4 is a right side elevational view thereof; FIG. 5 is a top plan view thereof; FIG. 6 is a bottom plan view thereof; and, FIG. 7 is an isometric view thereof.

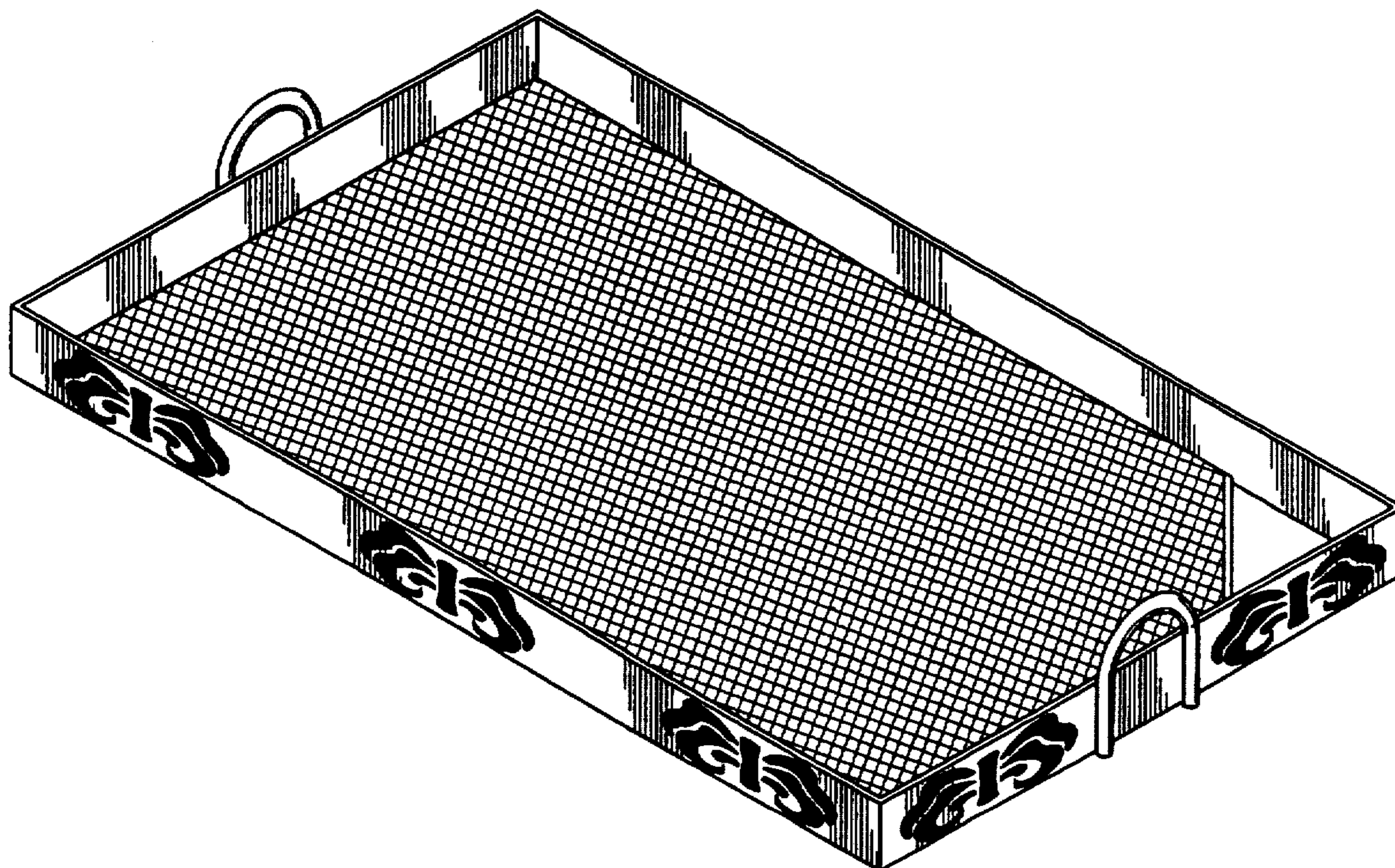


FIG. 1



FIG. 2



FIG. 3

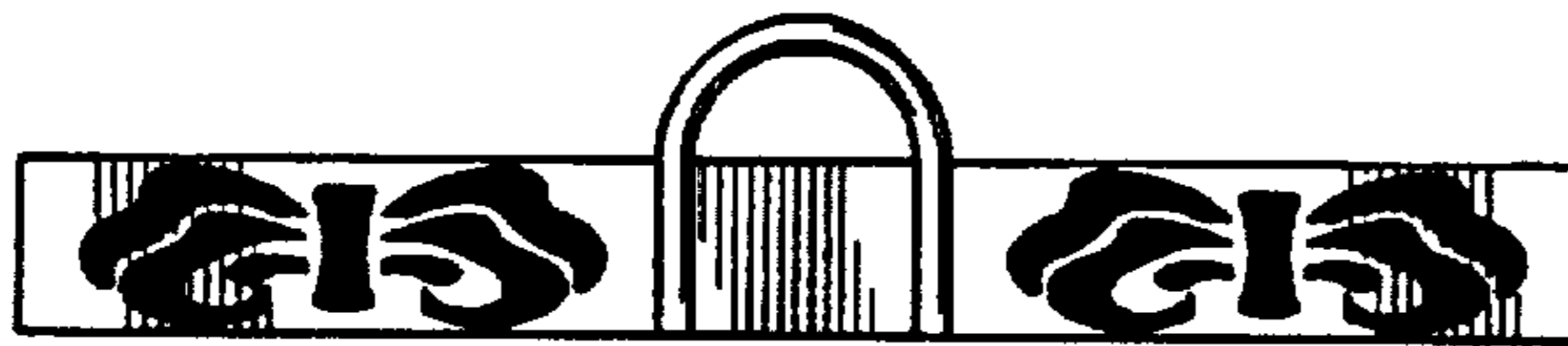


FIG. 4



FIG. 5

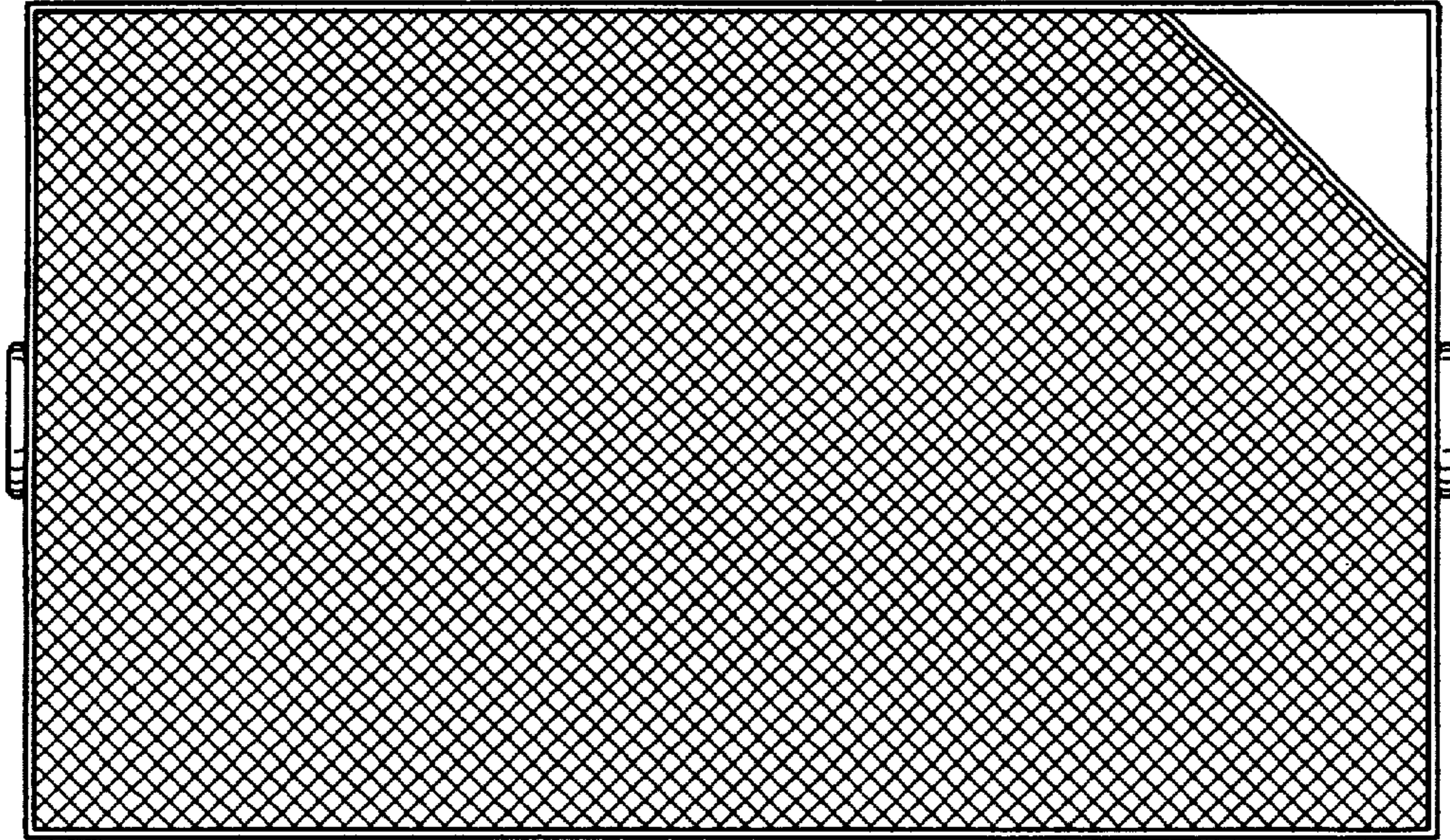


FIG. 6

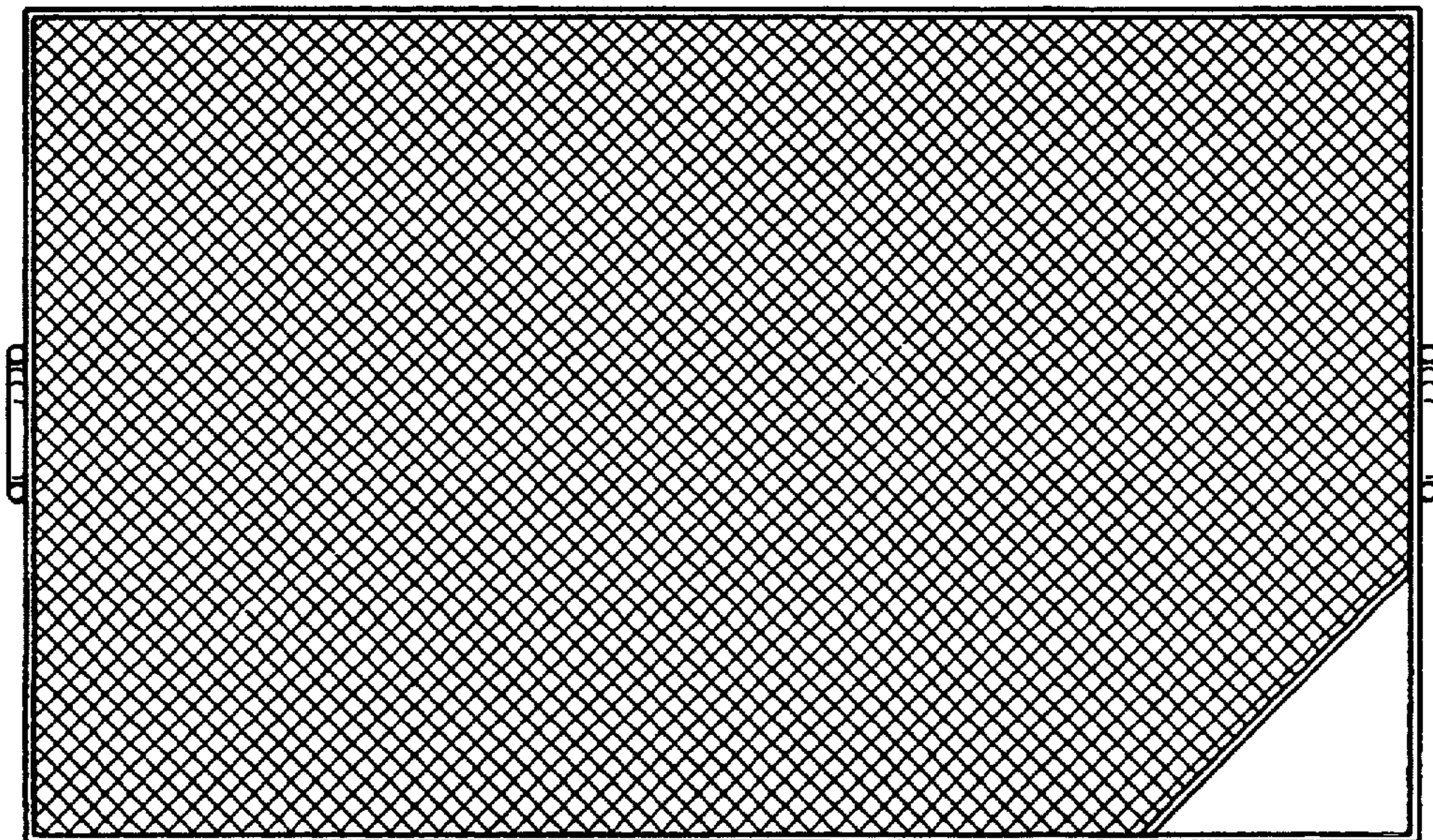


FIG. 7

