



US00D351482S

# United States Patent [19]

[11] Patent Number: **Des. 351,482**

Johnson et al.

[45] Date of Patent: **\*\* Oct. 11, 1994**

## [54] LIGHT MODULE FOR SUSPENDED LIGHTING FIXTURE UNIT

[75] Inventors: **Dennis E. Johnson**, Grafton; **Scott P. Malmsten**, West Bend, both of Wis.

[73] Assignee: **SPI Lighting, Inc.**, Mequon, Wis.

[\*\*] Term: **14 Years**

[21] Appl. No.: **8,165**

[22] Filed: **May 7, 1993**

[52] U.S. Cl. .... **D26/113; D26/88; D26/76**

[58] Field of Search ..... **362/147, 404-408, 362/220, 219, 222, 223, 224, 225; 362/220, 219, 222, 223, 224, 225; D26/72, 80-92, 76, 113, 128, 131**

## [56] References Cited

### U.S. PATENT DOCUMENTS

D. 259,738	6/1981	Boschetti .....	D26/128 X
2,323,002	6/1943	Baker .....	362/223
4,866,583	9/1989	Targetti .....	362/225 X

## OTHER PUBLICATIONS

Habitat ®, pendant lighting Fixtures Catalog, p. 1, pendant lighting Fixture.

A 1991 SPI Lighting ad for "Echo" fixtures.

Primary Examiner—Susan J. Lucas

Attorney, Agent, or Firm—Quarles & Brady

## [57] CLAIM

The ornamental design for a light module for suspended lighting fixture unit, as shown and described.

## DESCRIPTION

FIG. 1 is a perspective view of a light module for suspended lighting fixture unit taken from the bottom, left, and front showing our new design;

FIG. 2 is a front elevational view thereof, the rear elevational view being the mirror image thereof;

FIG. 3 is a left side elevational view, the right side being the mirror image thereof;

FIG. 4 is a bottom plan view thereof;

FIG. 5 is a top plan view thereof;

FIG. 6 is a view similar to FIG. 5, albeit with a light unit shown in dotted lines; and,

FIGS. 7-10 are views similar to FIG. 1, albeit of second, third, fourth, and fifth embodiments, the difference being in the side to side dimension.

The broken line representation of a light unit in FIG. 6 is for purposes of illustration only.

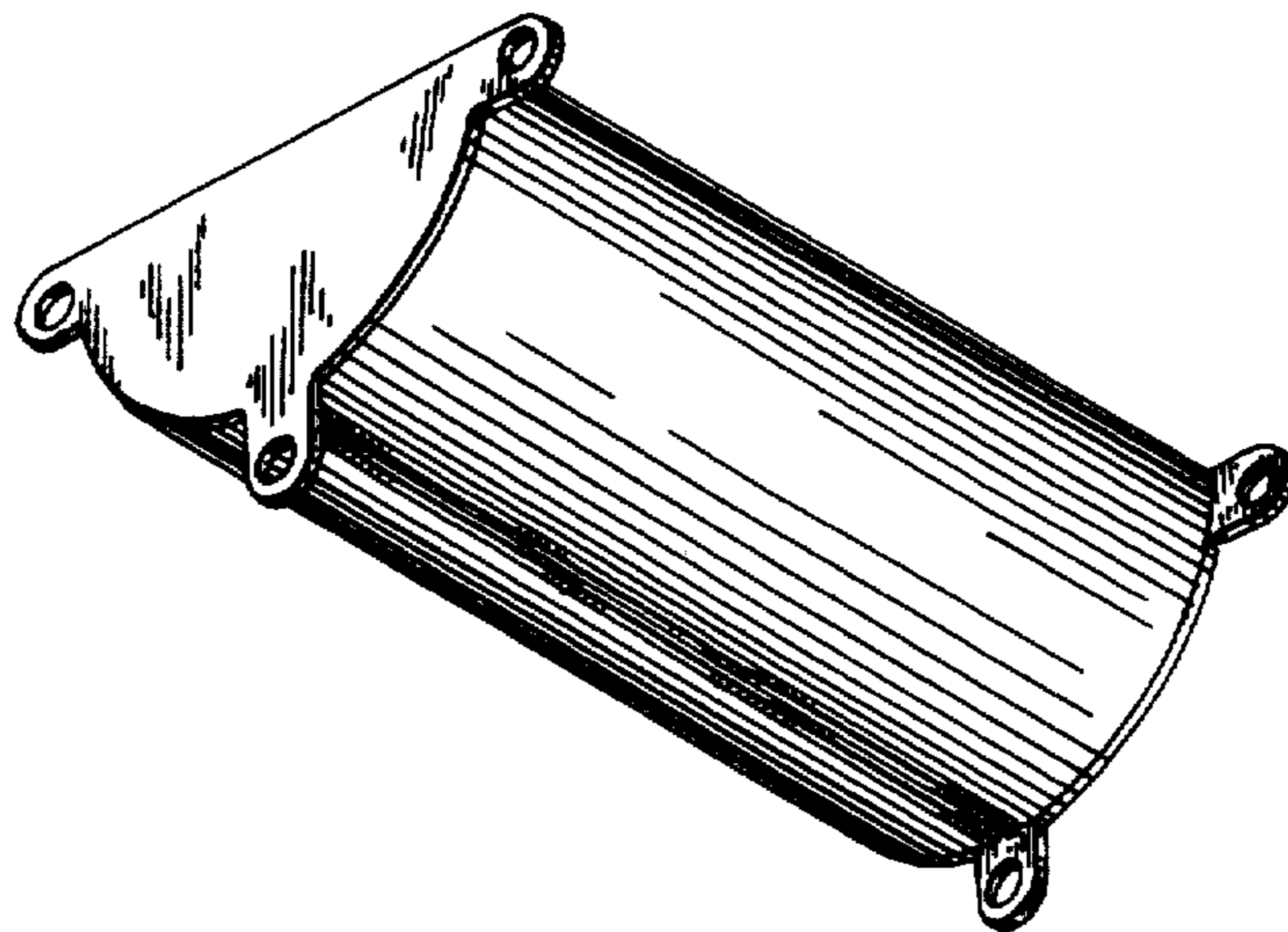
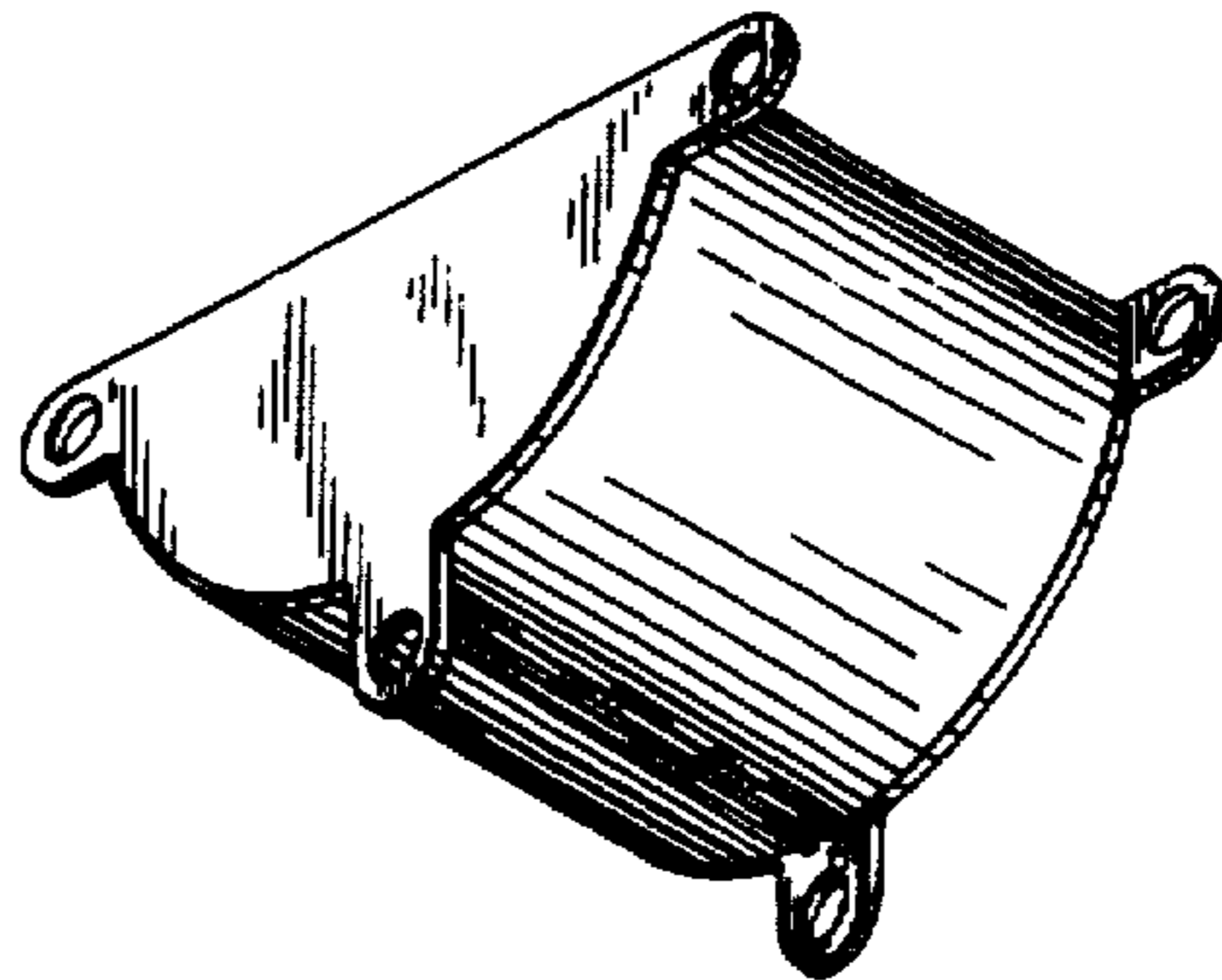


FIG. 1

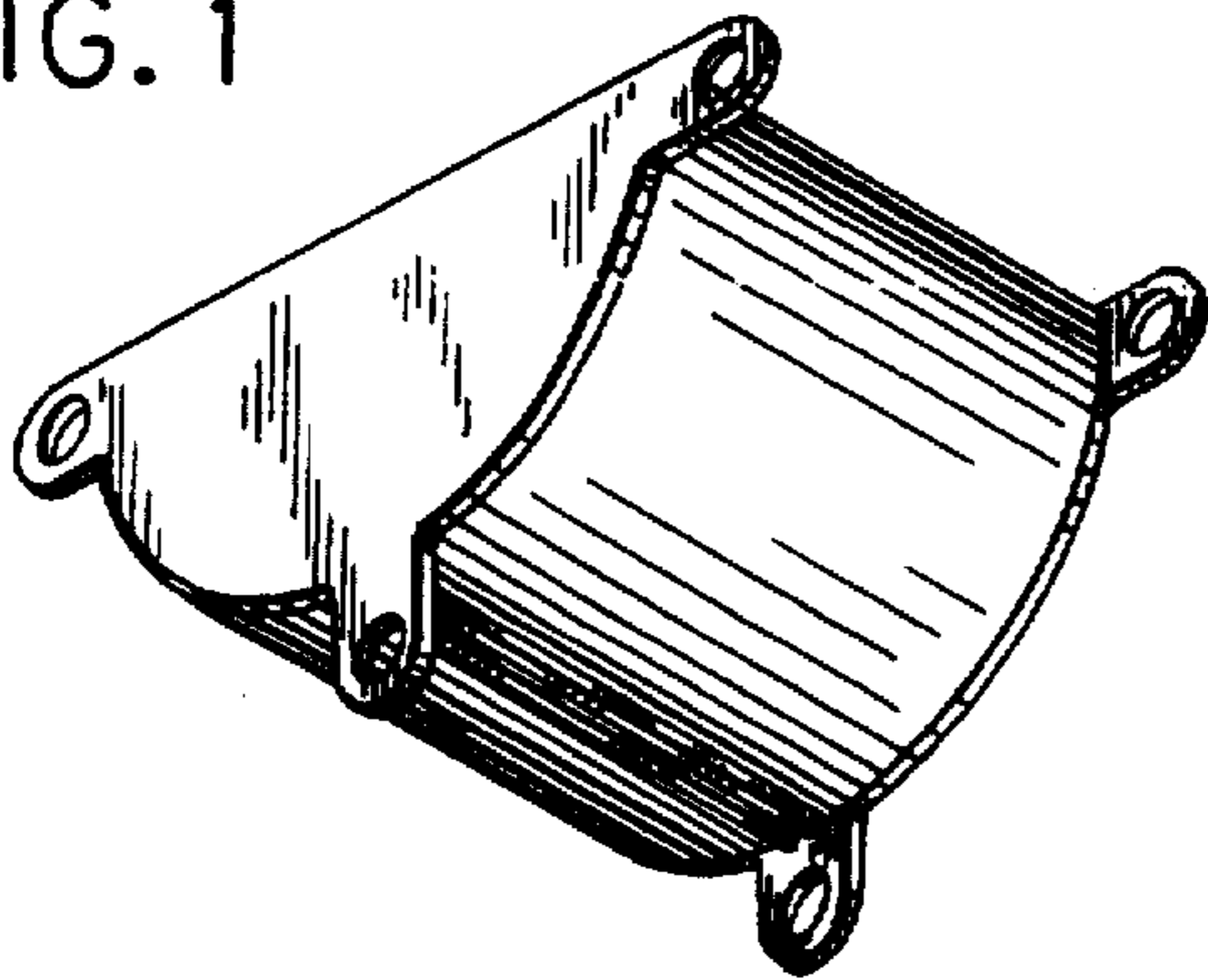


FIG. 3

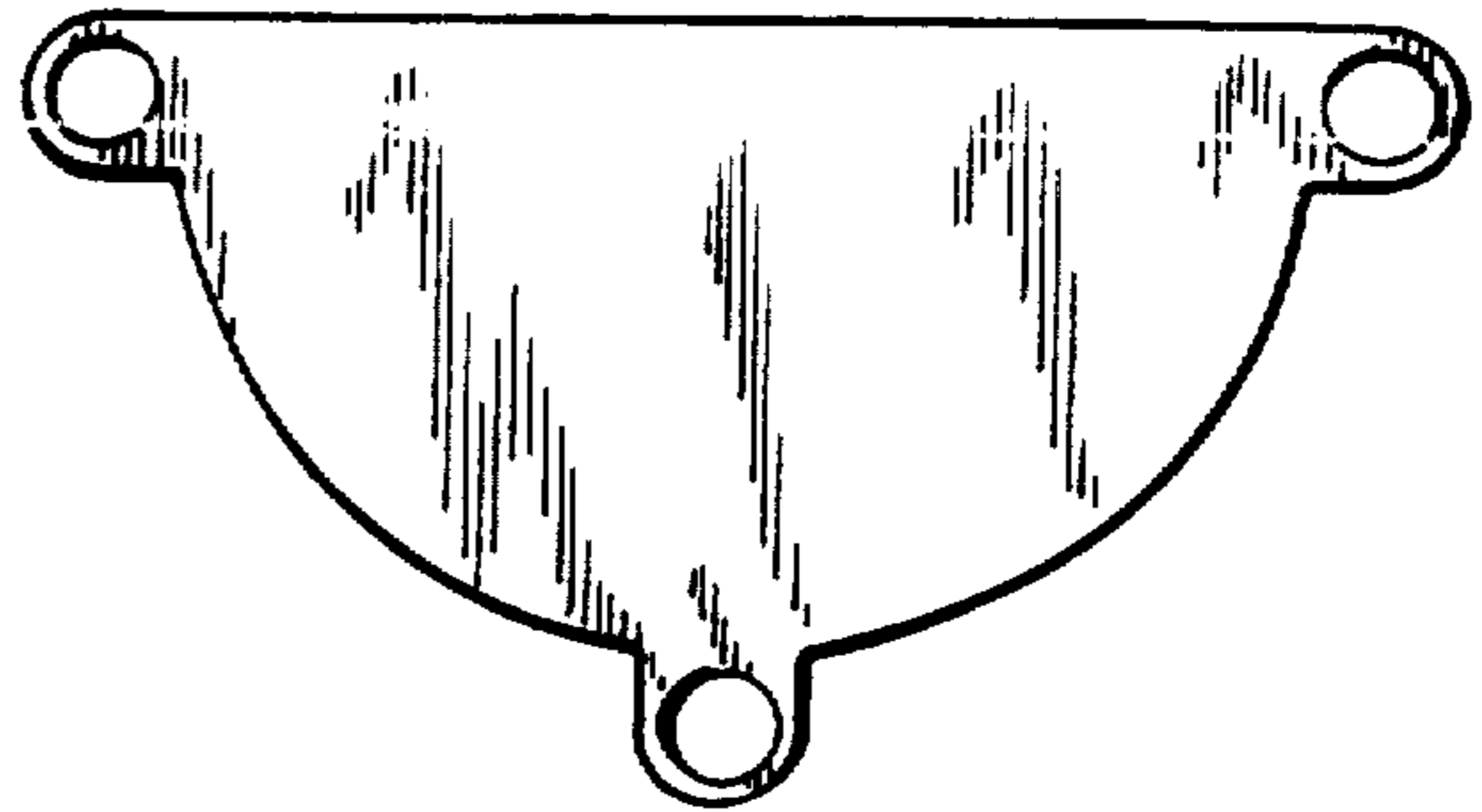


FIG. 2

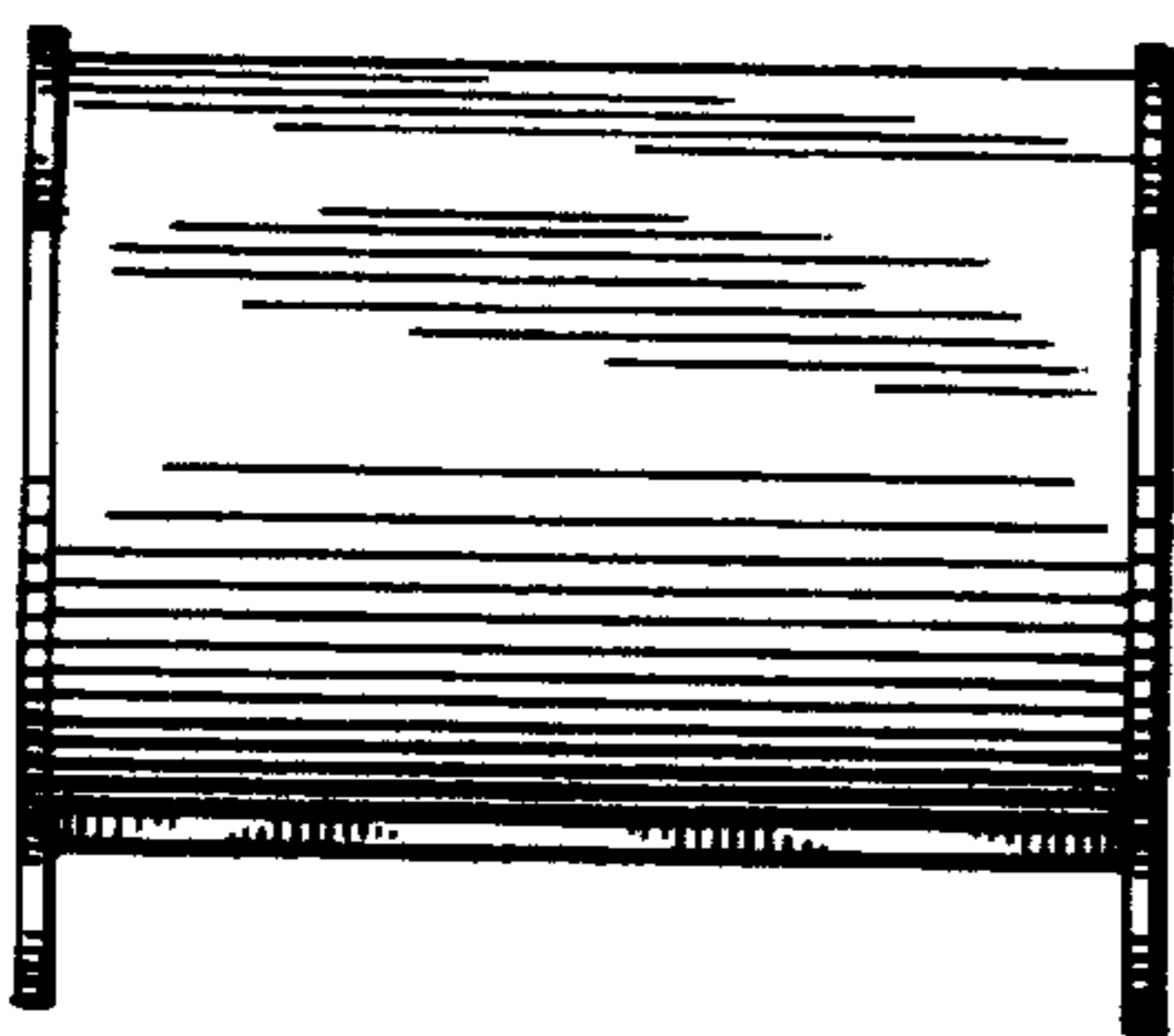


FIG. 4

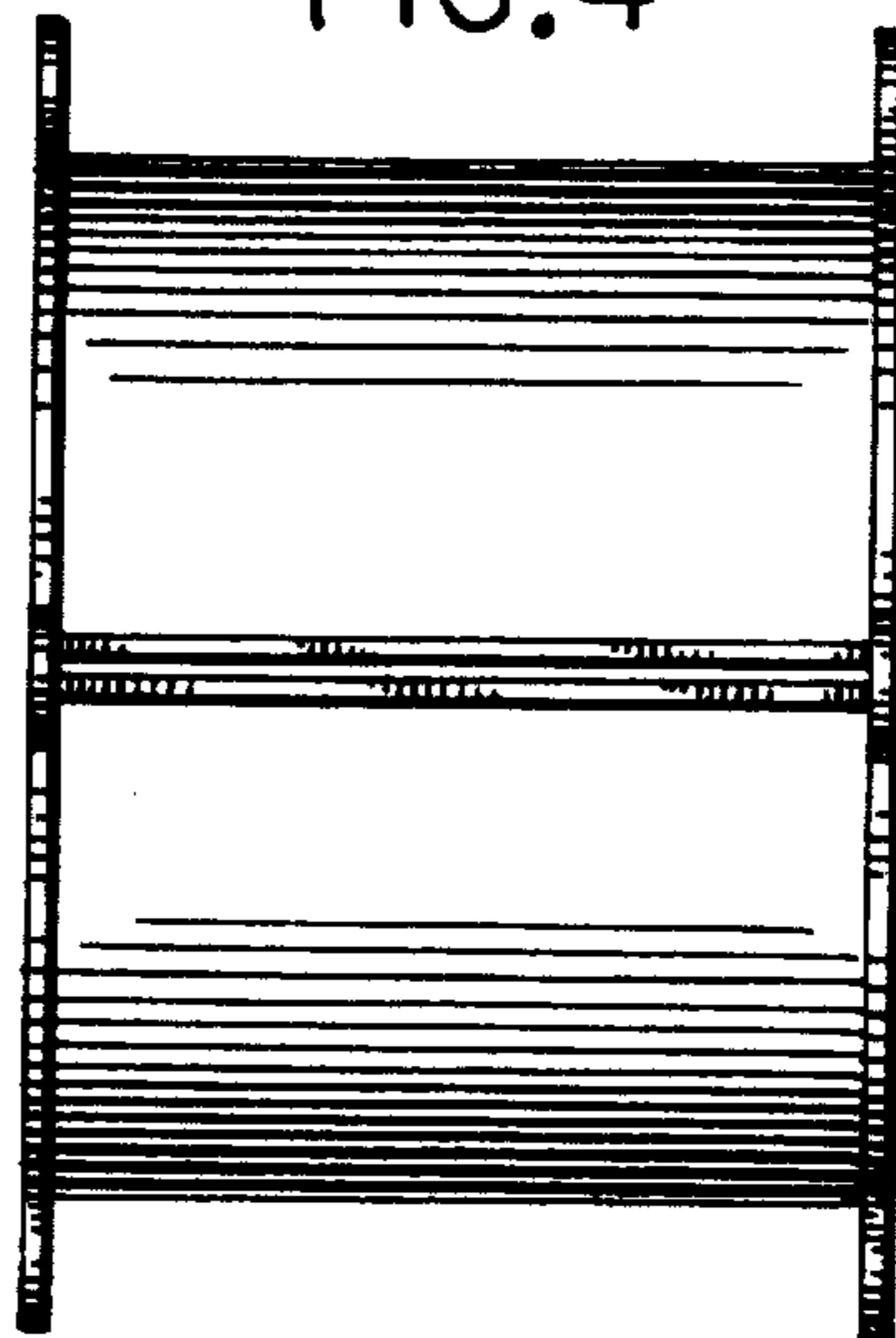


FIG. 5

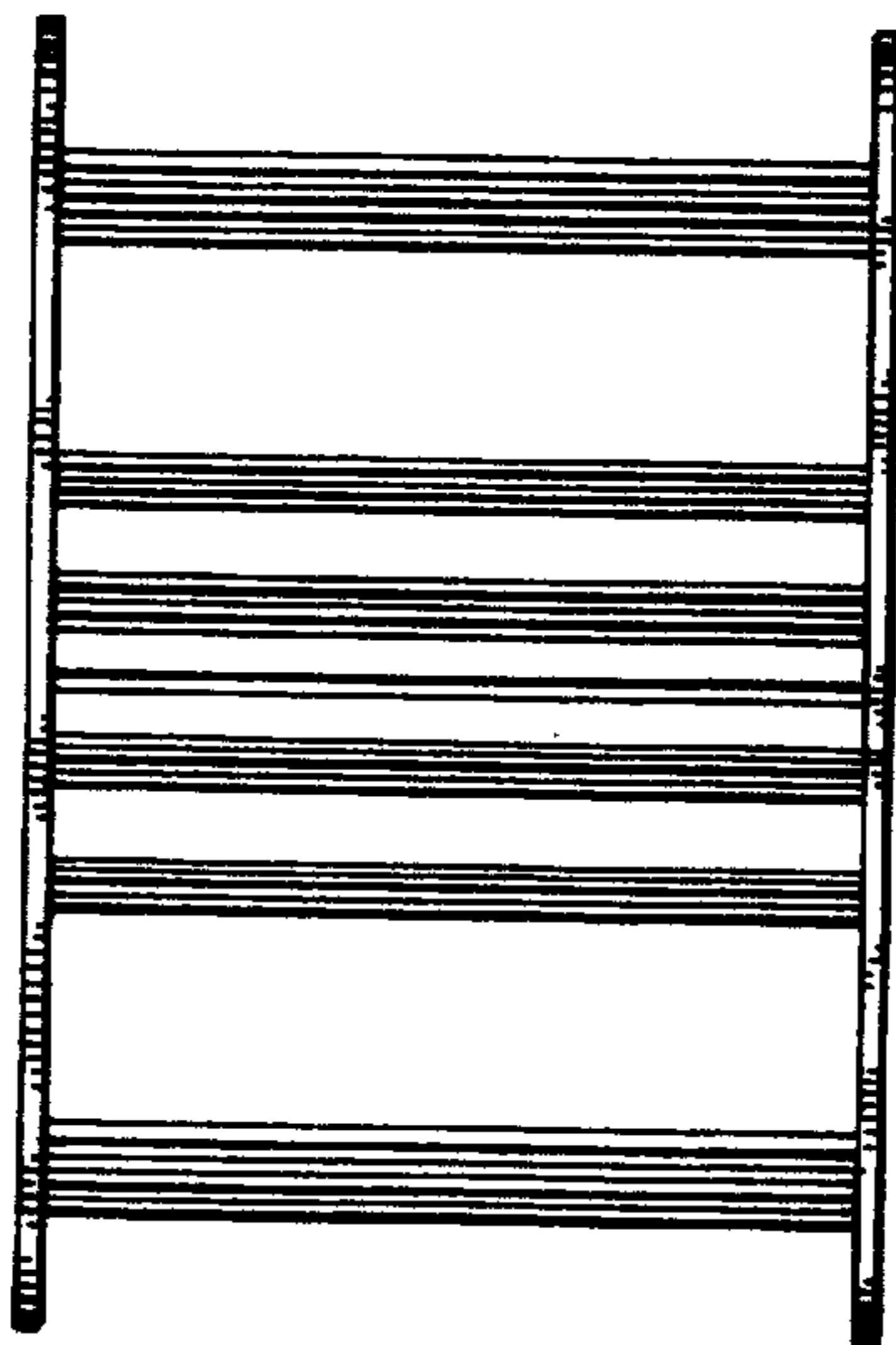


FIG. 6

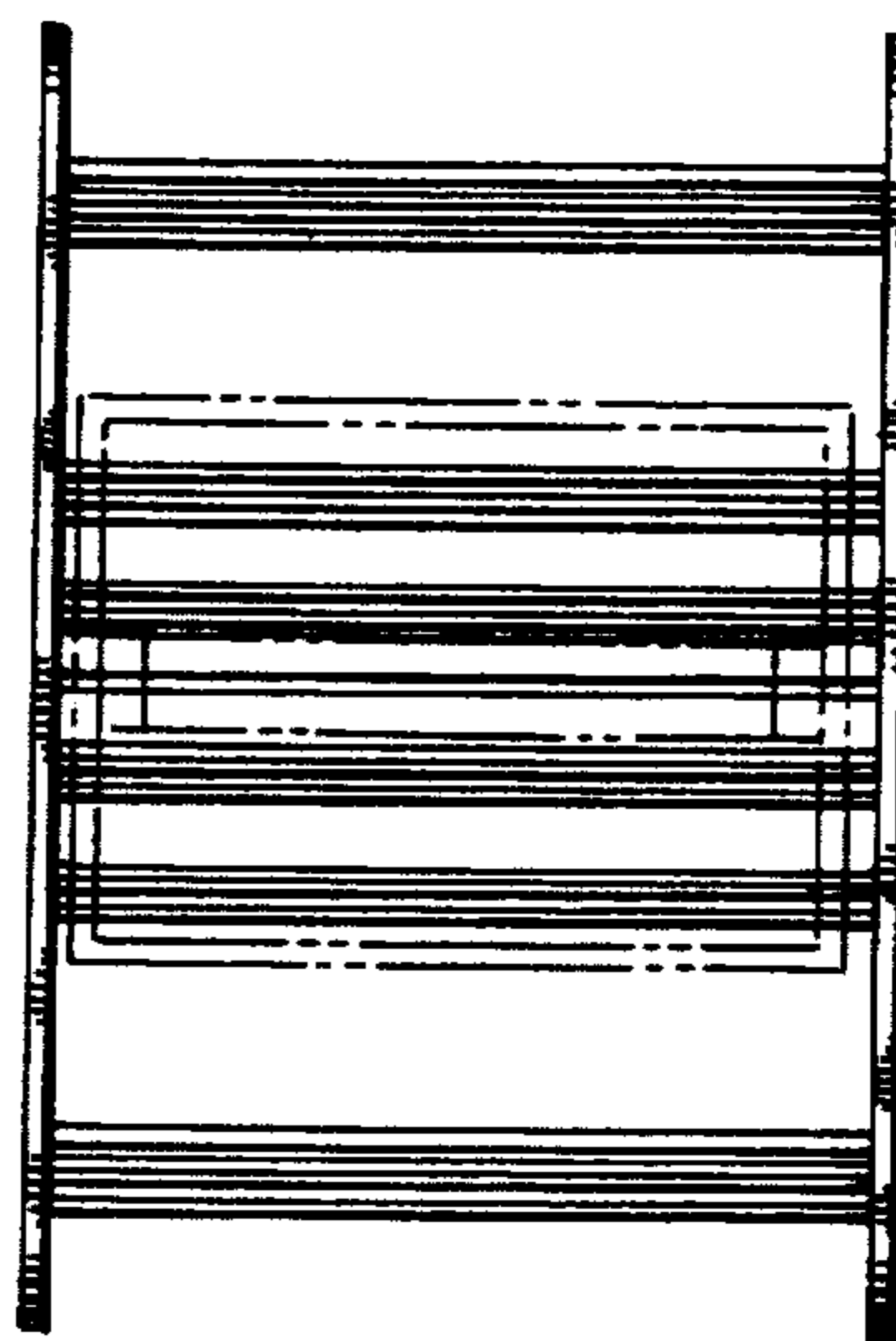




FIG. 7

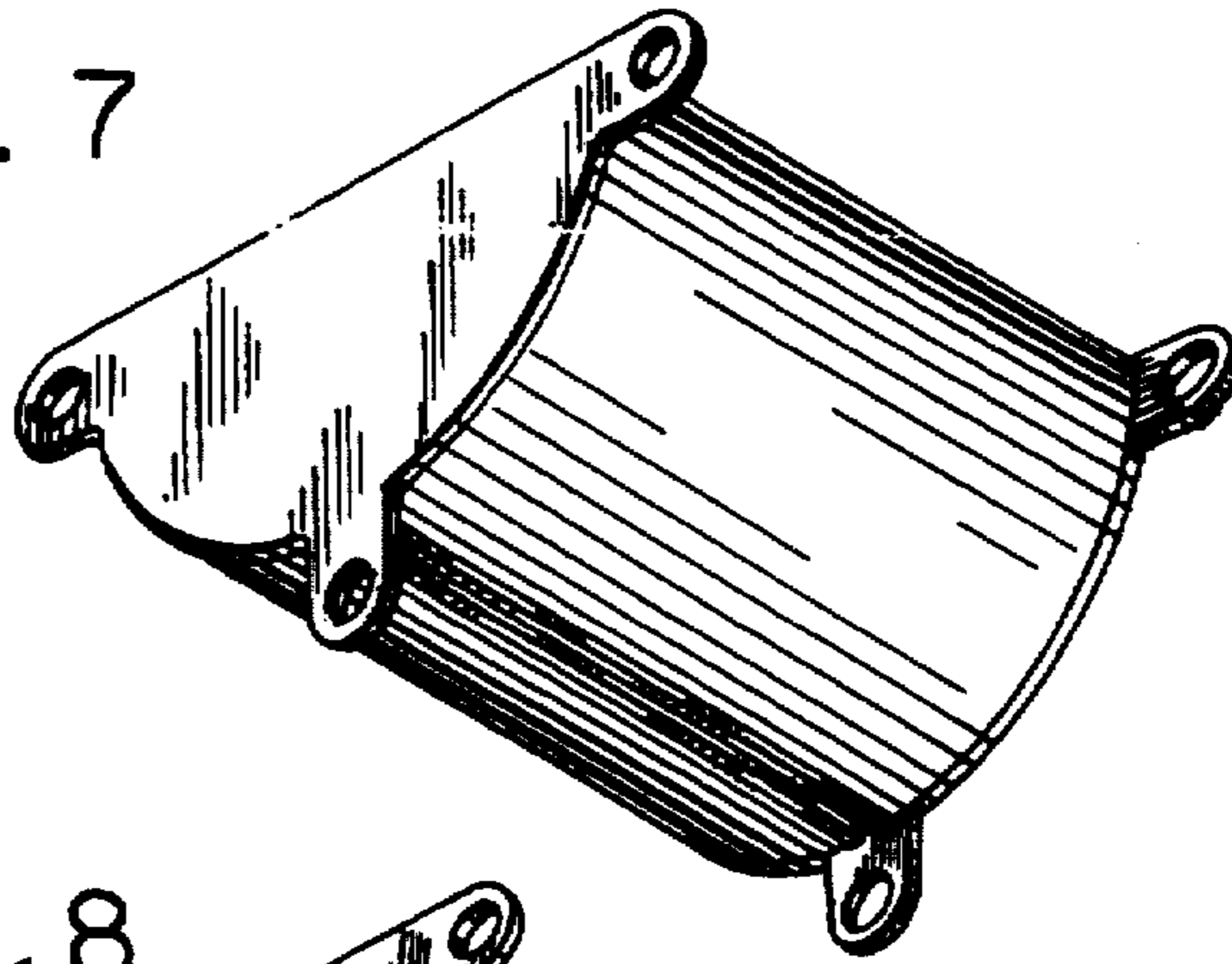


FIG. 8

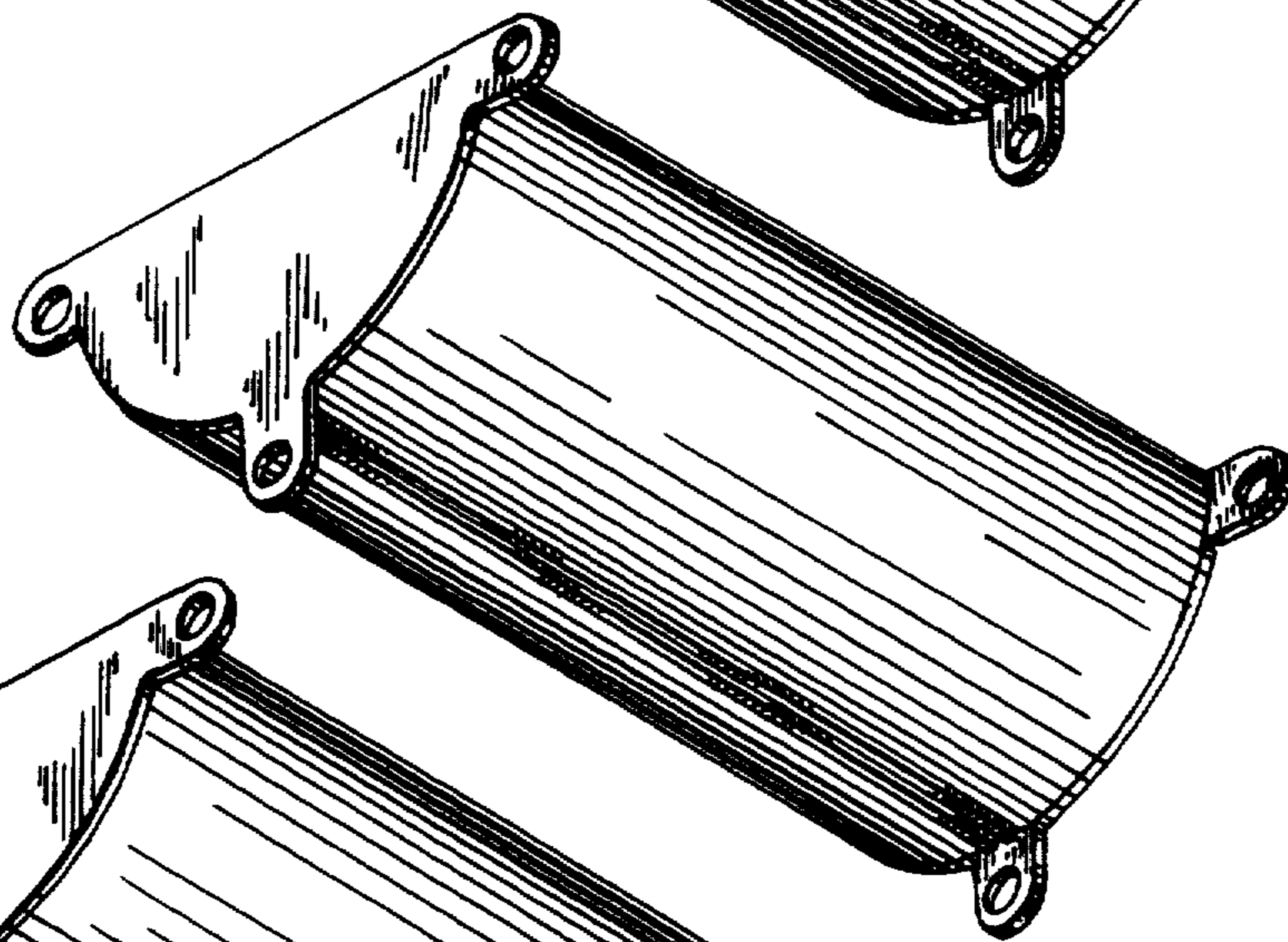
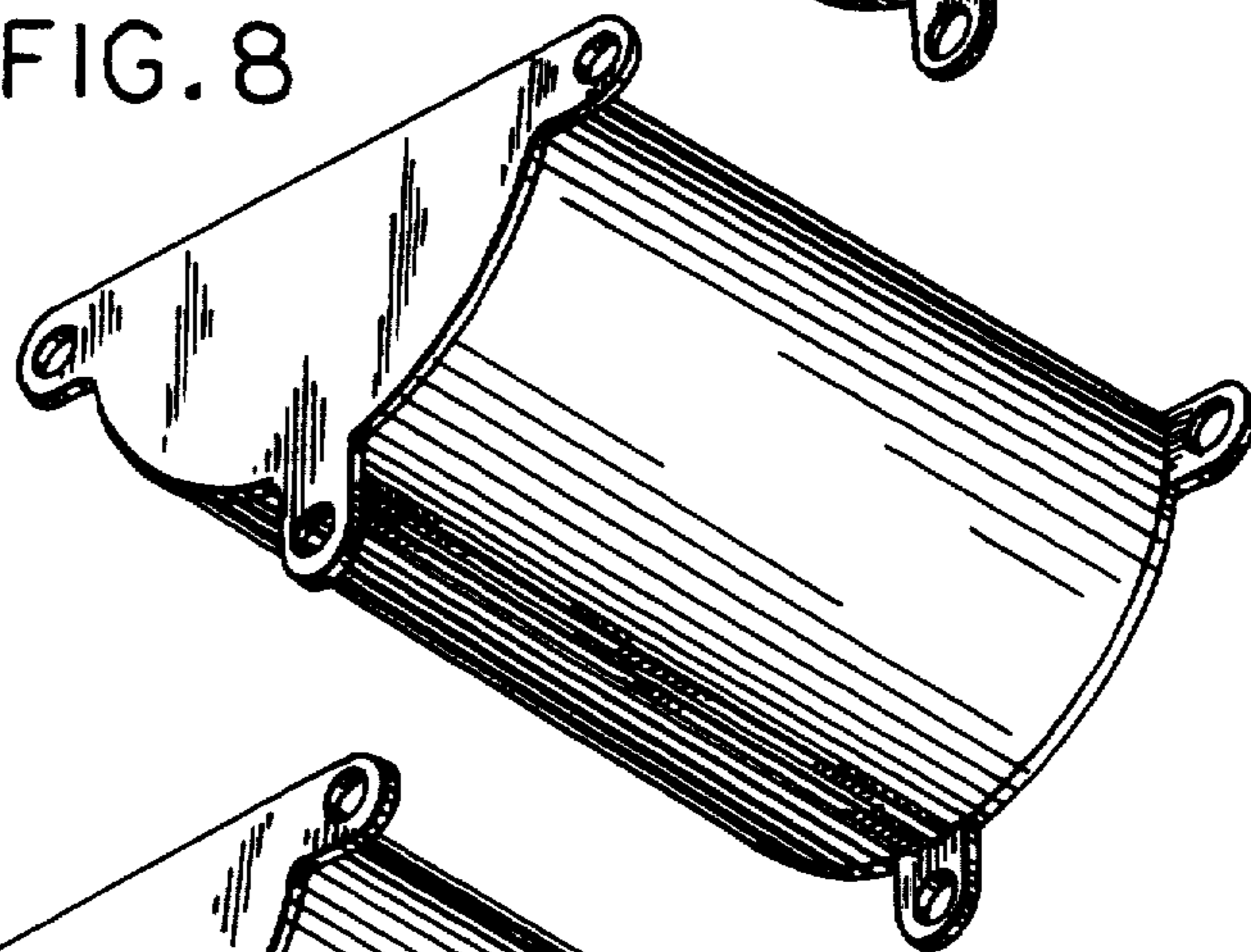


FIG. 9

FIG. 10

