



US00D351481S

United States Patent [19]
Cole, Jr.

[11] **Patent Number: Des. 351,481**

[45] **Date of Patent: ** Oct. 11, 1994**

[54] **RECESSED FLUORESCENT LIGHTING
FIXTURE**

[75] **Inventor: John M. Cole, Jr., Hingham, Mass.**

[73] **Assignee: Litecontrol Corporation, Hanson,
Mass.**

[**] **Term: 14 Years**

[21] **Appl. No.: 3,943**

[22] **Filed: Jan. 22, 1993**

[52] **U.S. Cl. D26/76**

[58] **Field of Search 362/147, 404-408,
362/217-224; D26/74, 75-78**

[56] **References Cited**

U.S. PATENT DOCUMENTS

- 4,229,779 10/1980 Bilson et al. .
- 4,383,289 5/1983 Lewin .
- 4,460,942 7/1984 Pizzuti et al. .
- 4,517,631 5/1985 Mullins .
- 4,519,019 5/1985 Hall .
- 4,564,888 1/1986 Lewin et al. .
- 4,748,543 5/1988 Swarens .
- 5,008,790 4/1991 Fabbri .

- 5,045,985 9/1991 Russo et al. .
- 5,072,344 12/1991 Fabbri .
- 5,142,459 8/1992 Swarens et al. 362/217

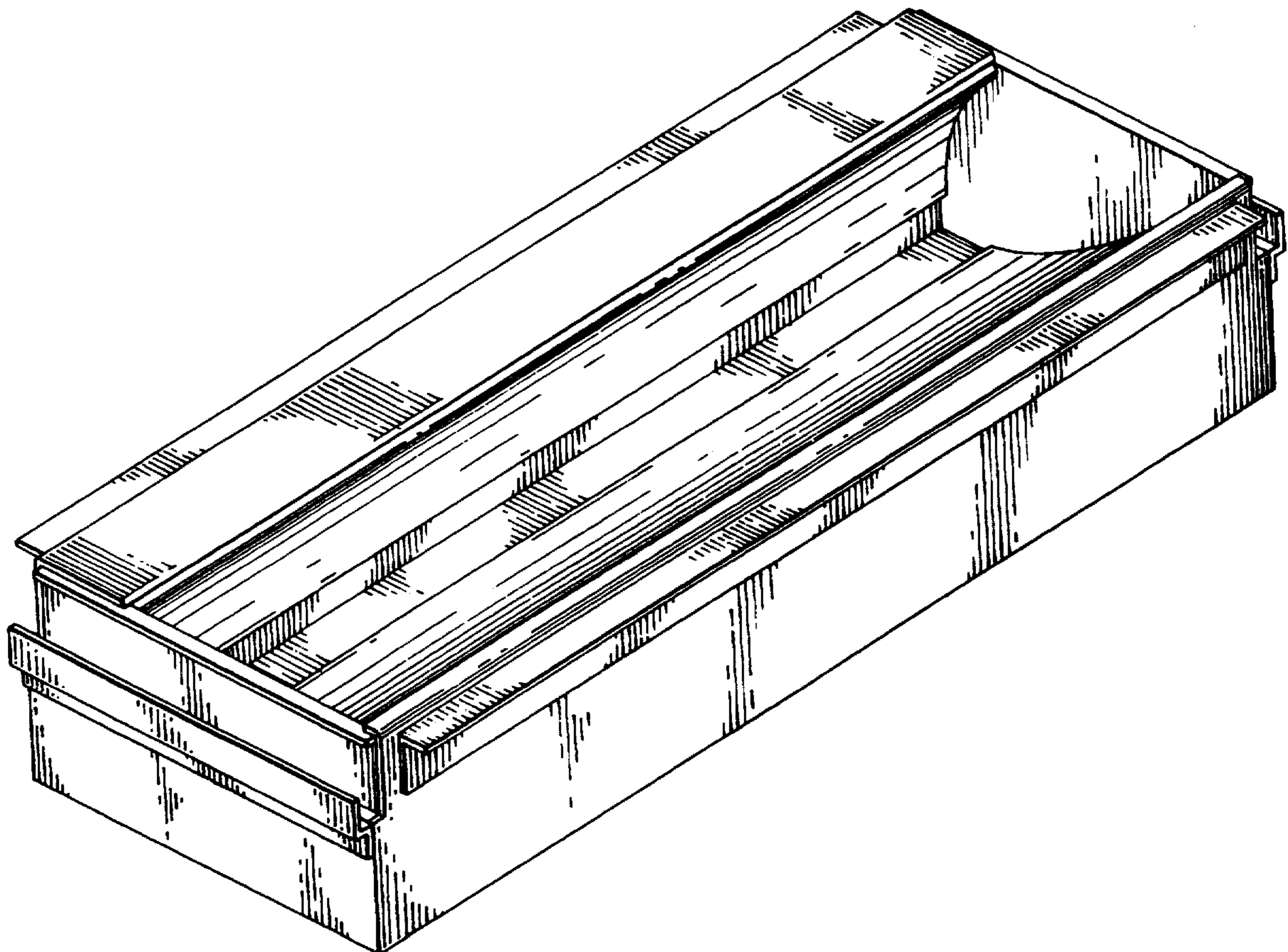
Primary Examiner—Susan J. Lucas
Attorney, Agent, or Firm—Fish & Richardson

[57] **CLAIM**

The ornamental design for a recessed fluorescent lighting fixture, as shown and described.

DESCRIPTION

FIG. 1 is a perspective view of a recessed fluorescent lighting fixture showing my new design;
 FIG. 2 is a bottom plan view of the recessed fluorescent lighting fixture shown in FIG. 1;
 FIG. 3 is a top plan view of the recessed fluorescent lighting fixture shown in FIG. 1;
 FIG. 4 is a front elevational view of the recessed fluorescent lighting fixture shown in FIG. 1, the rear being a mirror image;
 FIG. 5 is a side elevational view of the recessed fluorescent lighting fixture shown in FIG. 1, the opposite being a mirror image; and,
 FIG. 6 is an enlarged cross-sectional view of the recessed fluorescent lighting fixture shown in FIG. 1.



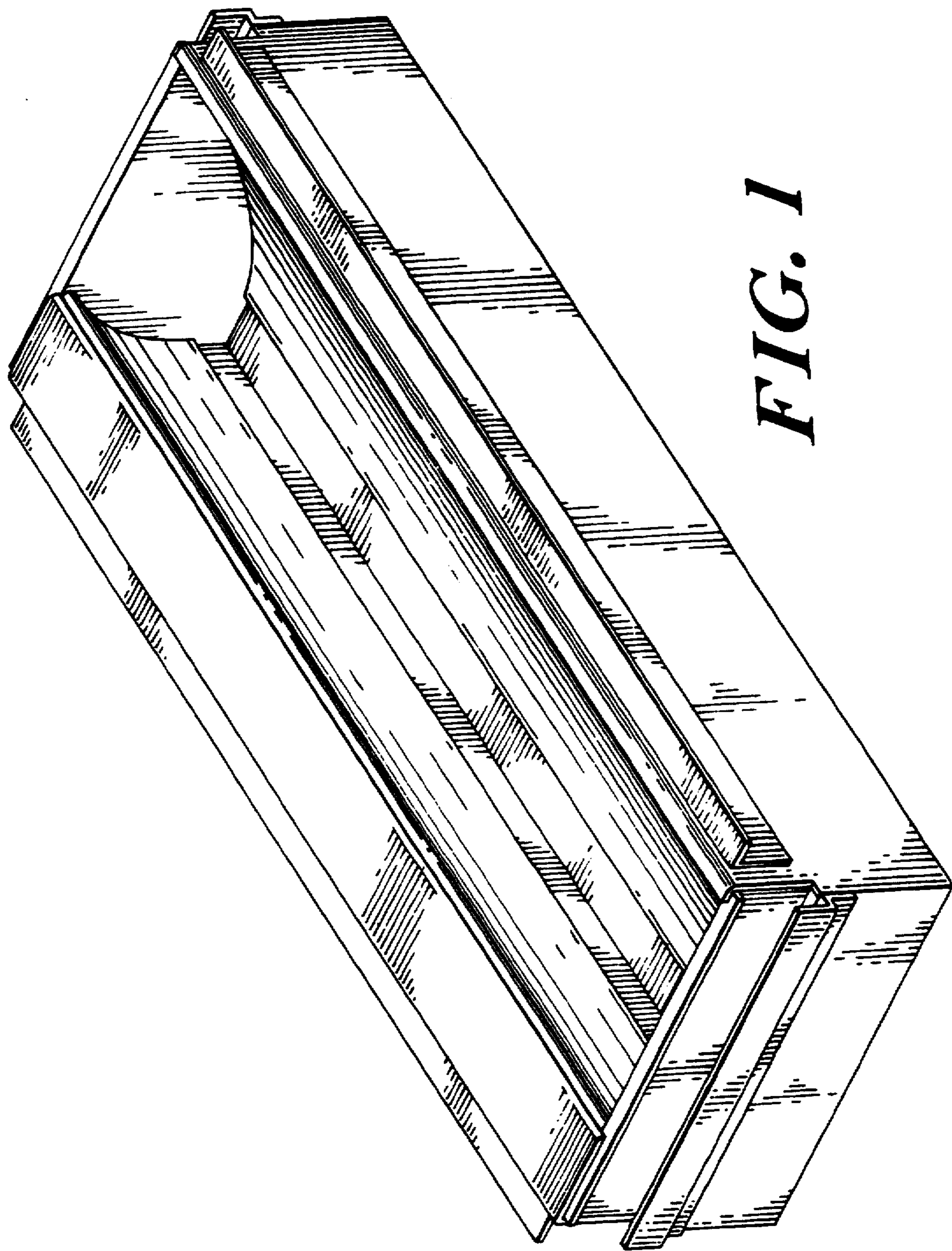


FIG. 1

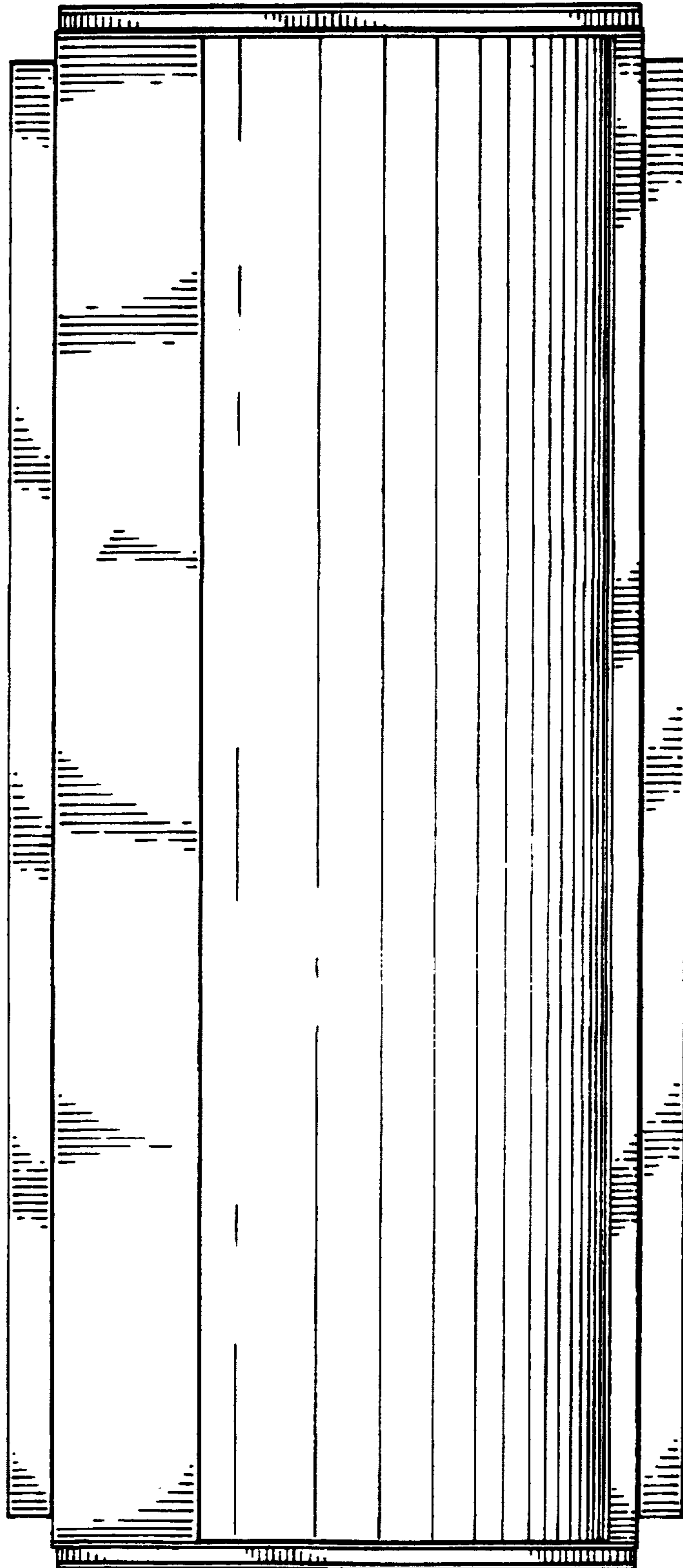


FIG. 2

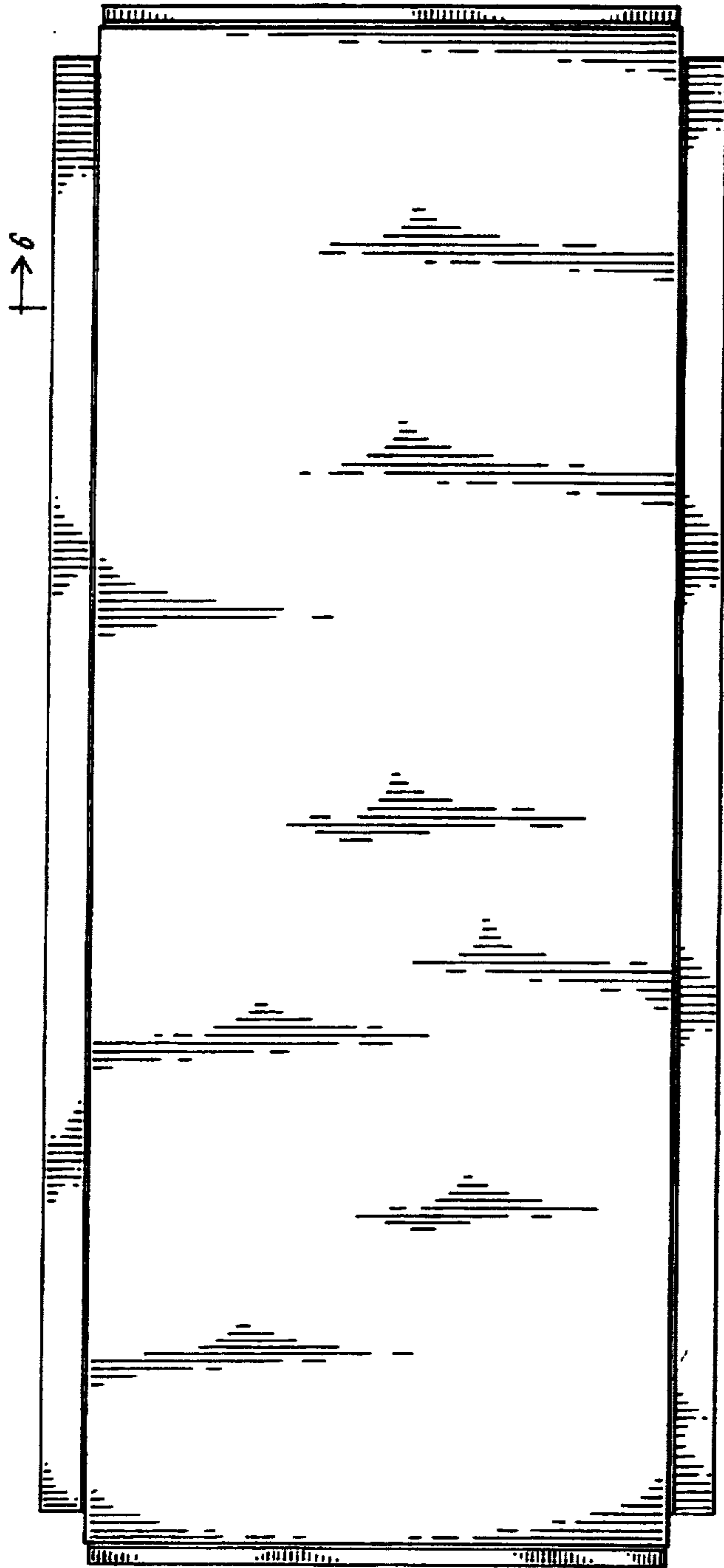


FIG. 3

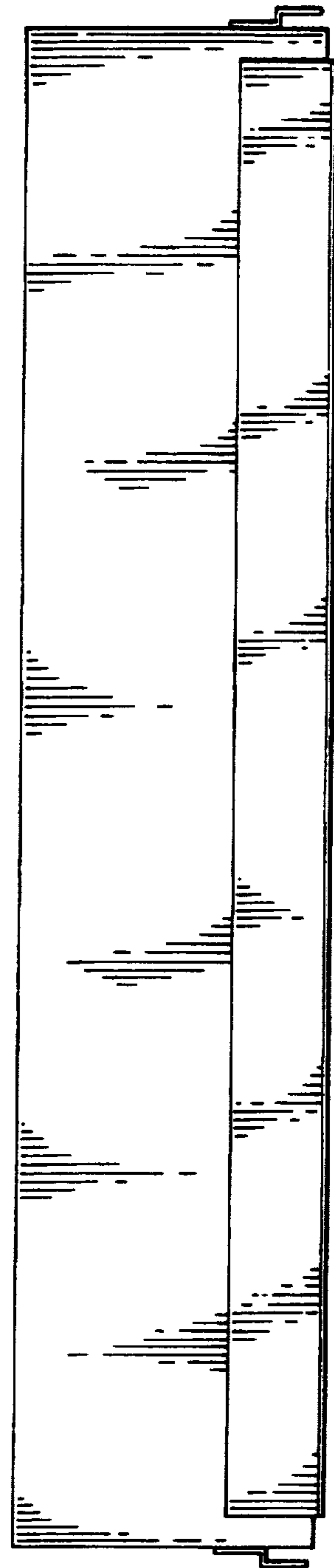


FIG. 4

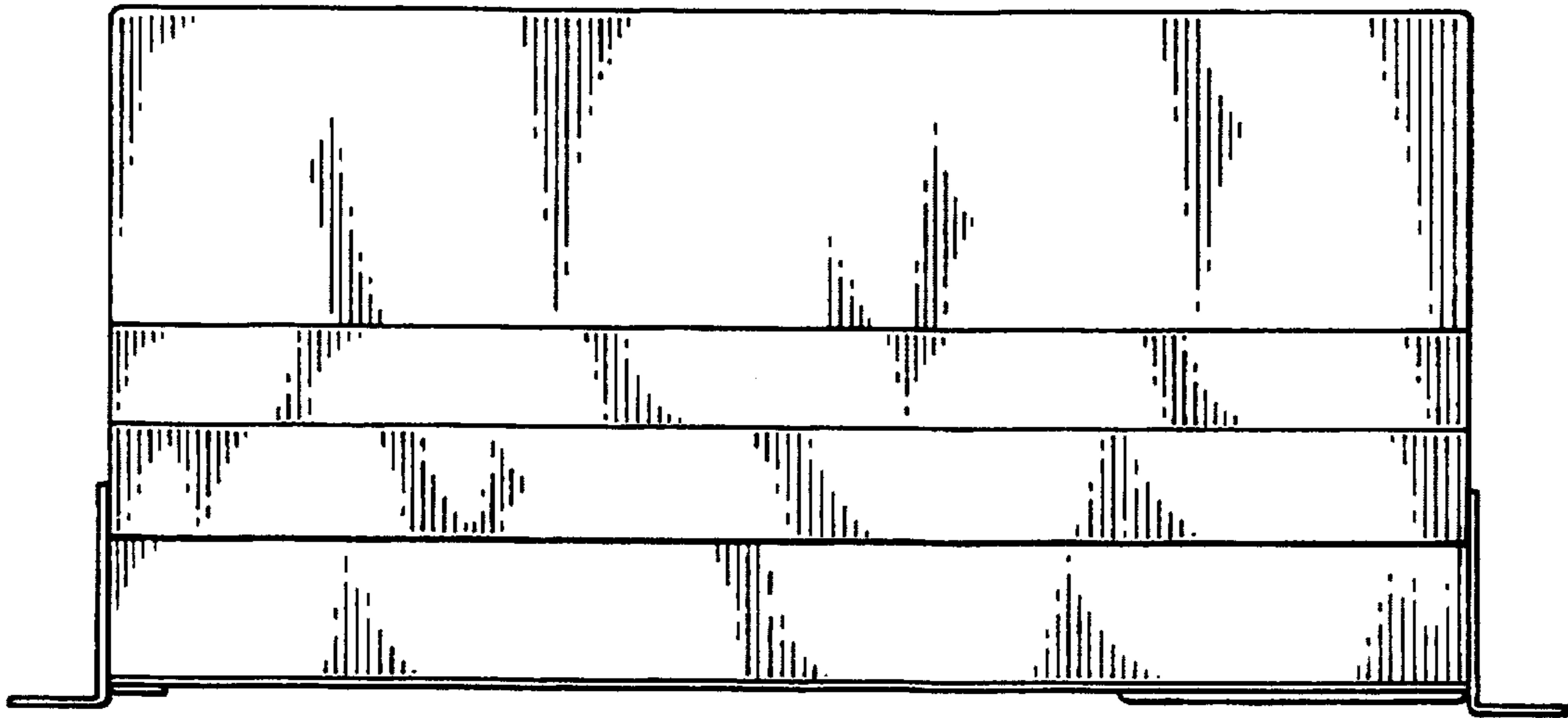


FIG. 5

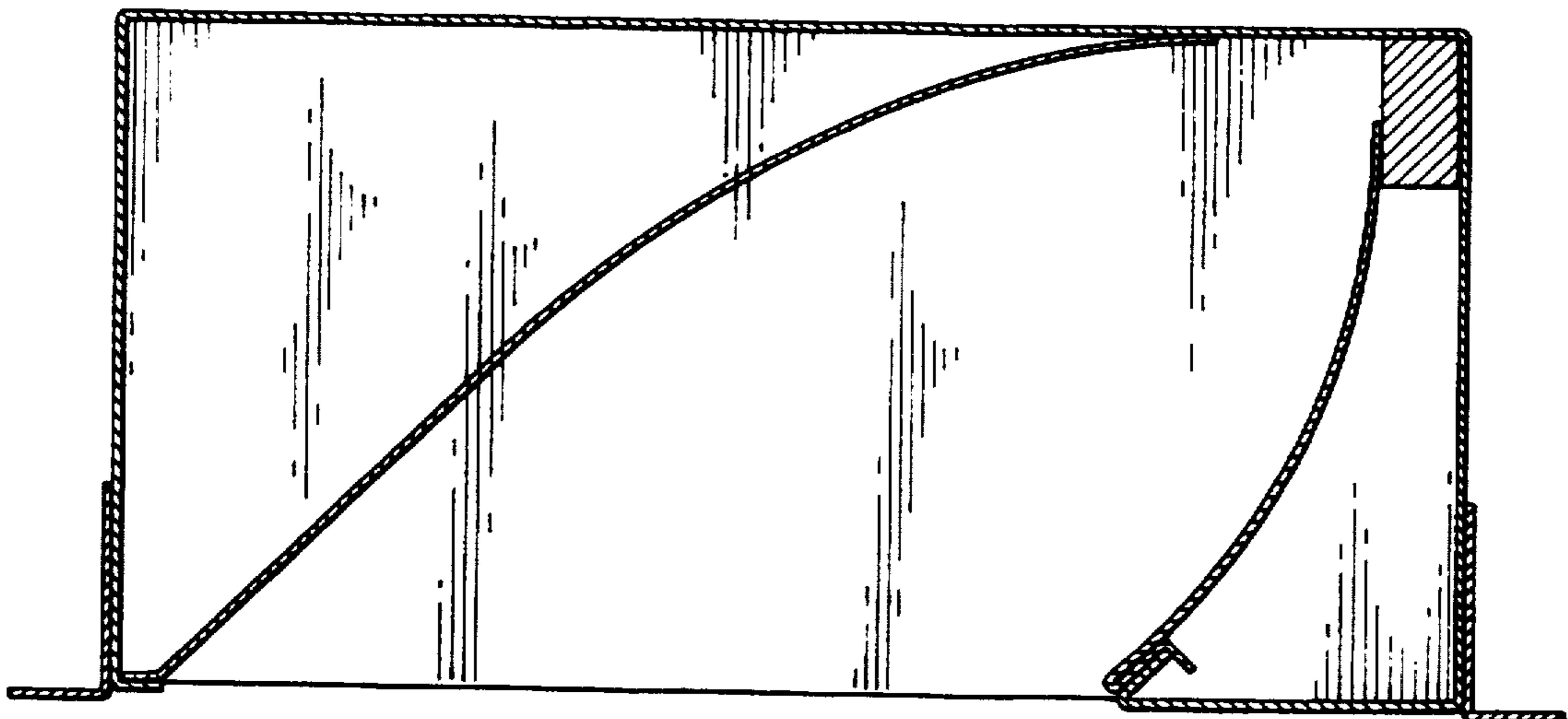


FIG. 6