



US00D351477S

United States Patent [19] Bamber

[11] Patent Number: **Des. 351,477**

[45] Date of Patent: **** Oct. 11, 1994**

[54] **FLASHLIGHT**

[75] Inventor: **David Bamber, Wichita, Kans.**

[73] Assignee: **The Coleman Company, Inc.,
Wichita, Kans.**

[**] Term: **14 Years**

[21] Appl. No.: **2,492**

[22] Filed: **Dec. 21, 1992**

[52] U.S. Cl. **D26/37**

[58] Field of Search 362/157, 158, 159, 160,
362/161, 168, 171, 172, 173, 178, 179, 180, 183,
184, 186, 197, 198, 201, 202, 203, 204, 205, 206,
207, 208; D26/37-50

3,076,891 2/1963 Moore D26/49
 3,539,800 11/1970 Doring 362/191
 3,987,523 1/1991 Lendaberry et al. 362/188

Primary Examiner—Wallace R. Burke
Assistant Examiner—Marcus Jackson
Attorney, Agent, or Firm—Tilton, Fallon, Lungmus &
 Chestnut

[57] **CLAIM**

The ornamental design for a flashlight, as shown and described.

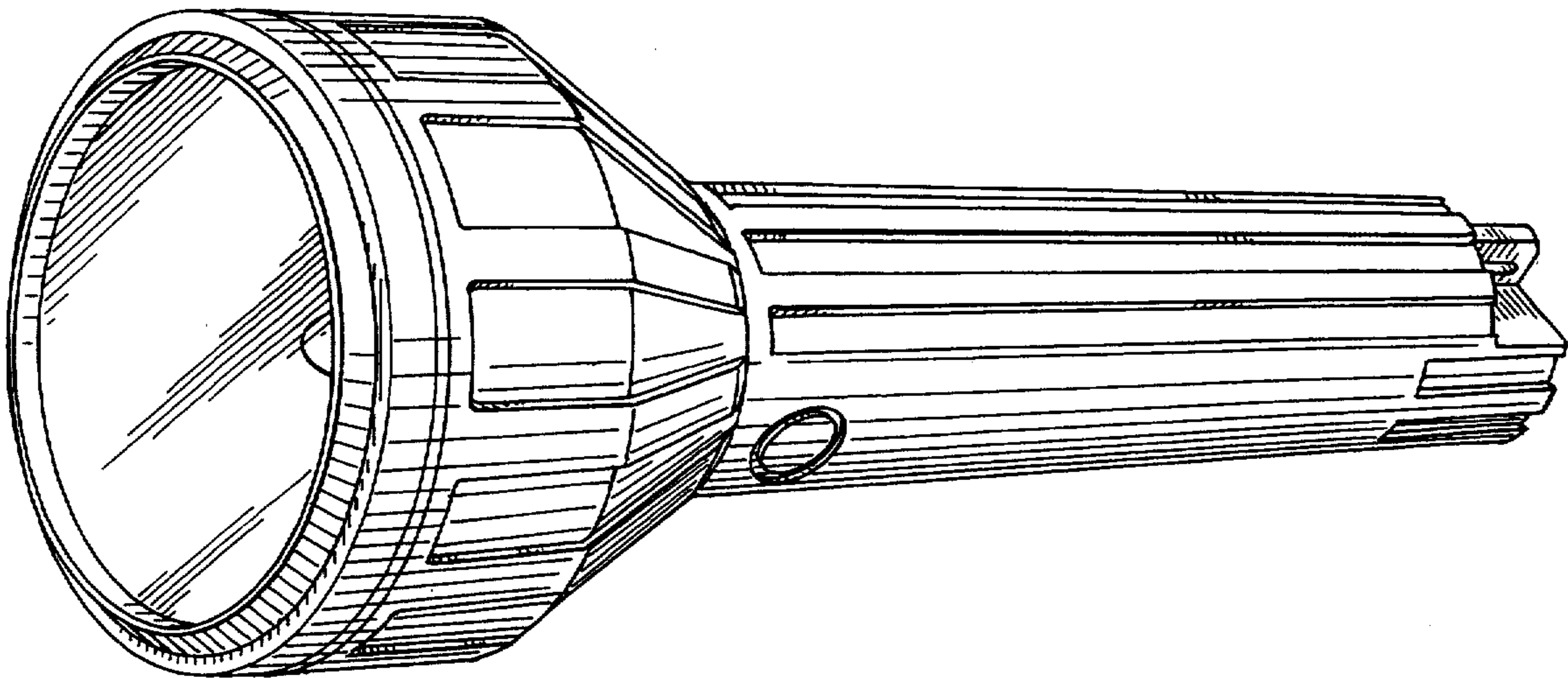
DESCRIPTION

FIG. 1 is a perspective view of a flashlight showing my new design;
 FIG. 2 is a front view thereof;
 FIG. 3 is a rear view thereof;
 FIG. 4 is a side elevation view thereof;
 FIG. 5 is a top plan view thereof;
 FIG. 6 is a side elevation view of the side opposite the side shown in FIG. 4; and,
 FIG. 7 is a bottom plan view thereof.

[56] **References Cited**

U.S. PATENT DOCUMENTS

D. 328,145	7/1992	Yuen	D26/46
2,299,035	10/1942	Rothenberg et al.	362/158
2,312,670	3/1943	Olds	362/207
2,915,744	12/1959	Lewis	D26/49



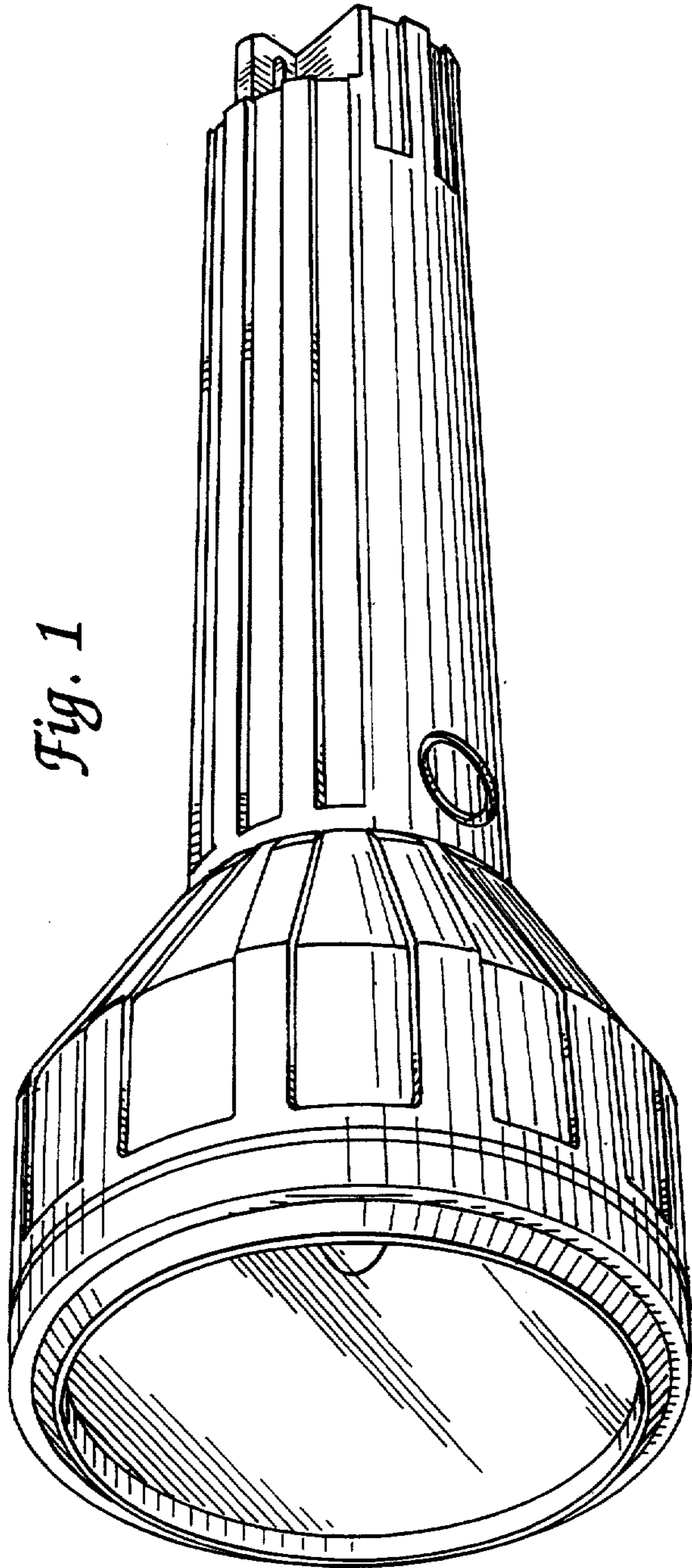


Fig. 1

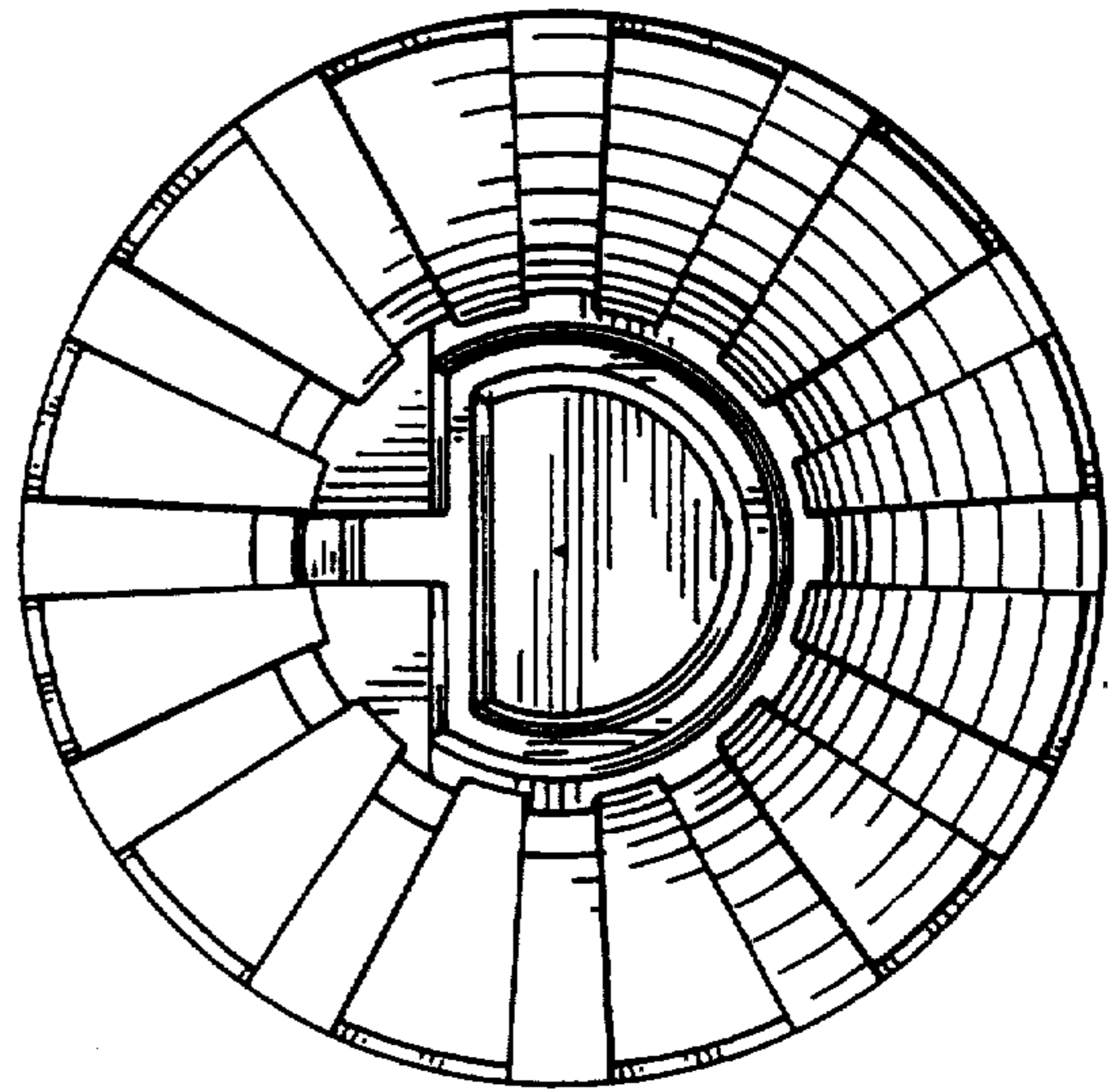


Fig. 3

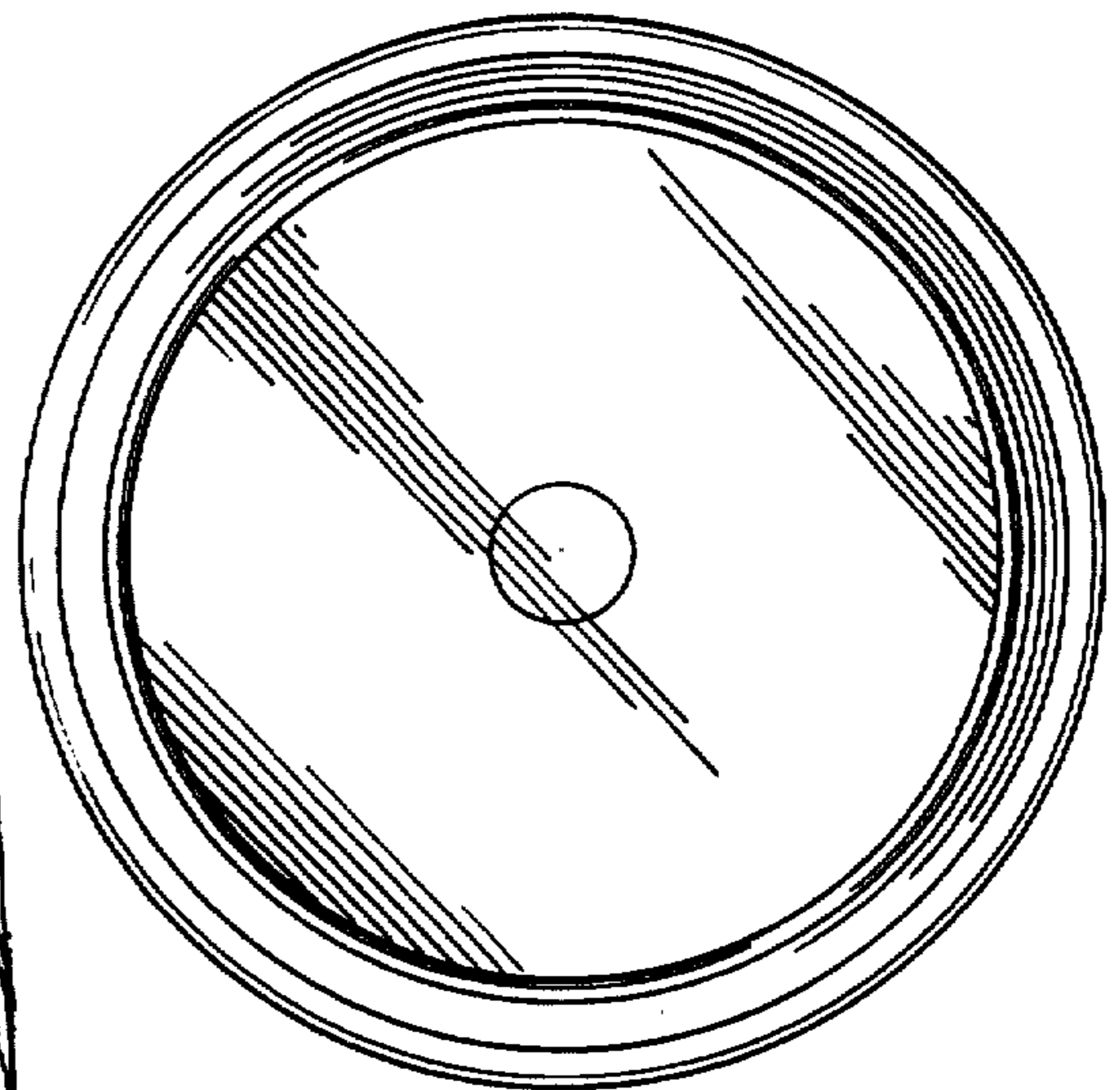
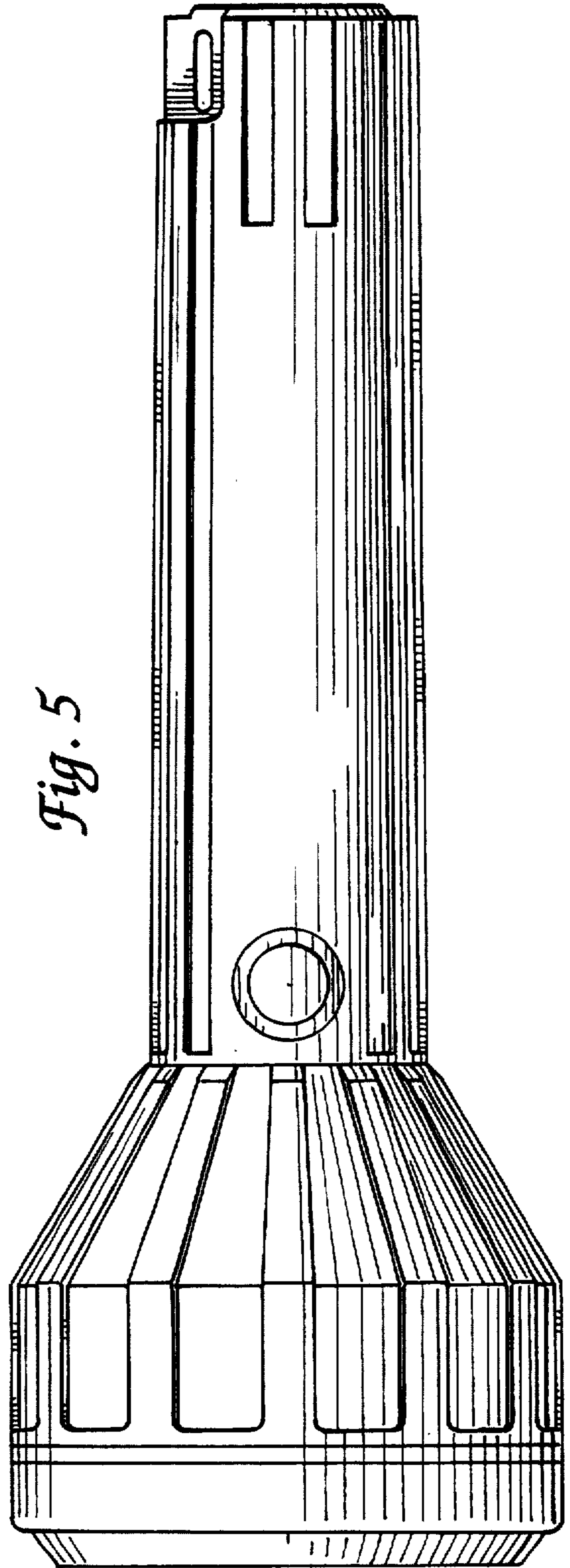
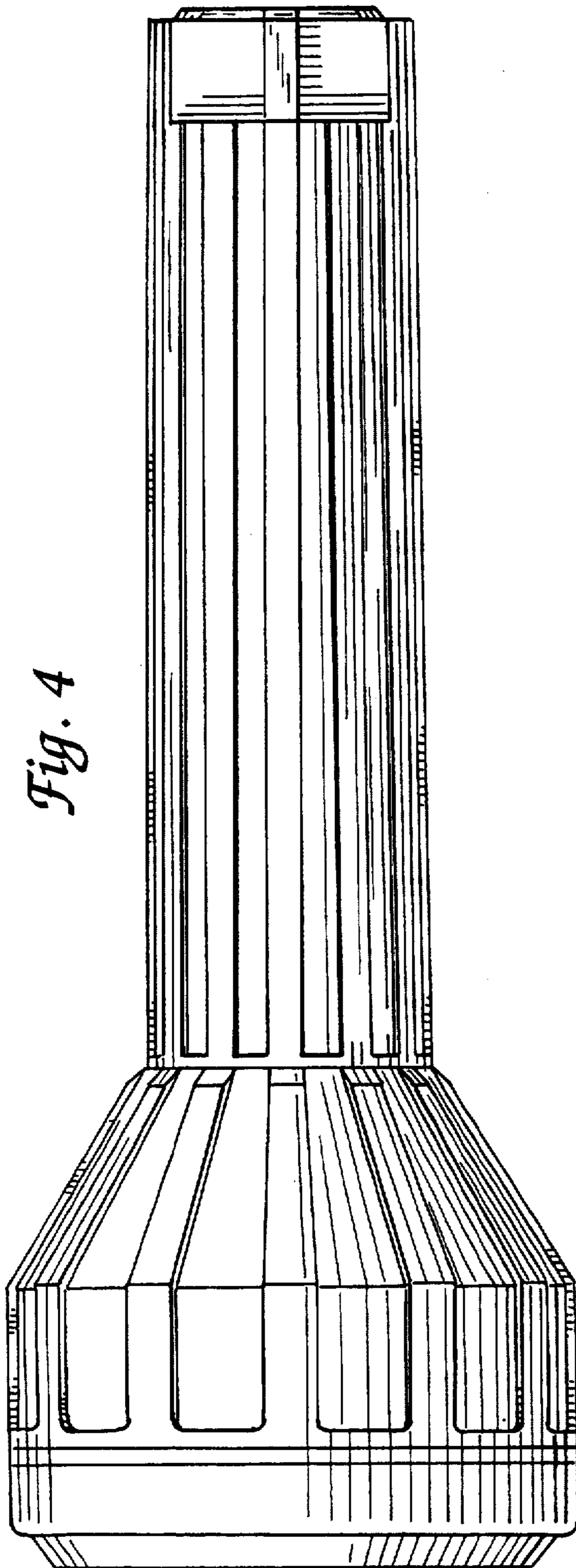


Fig. 2



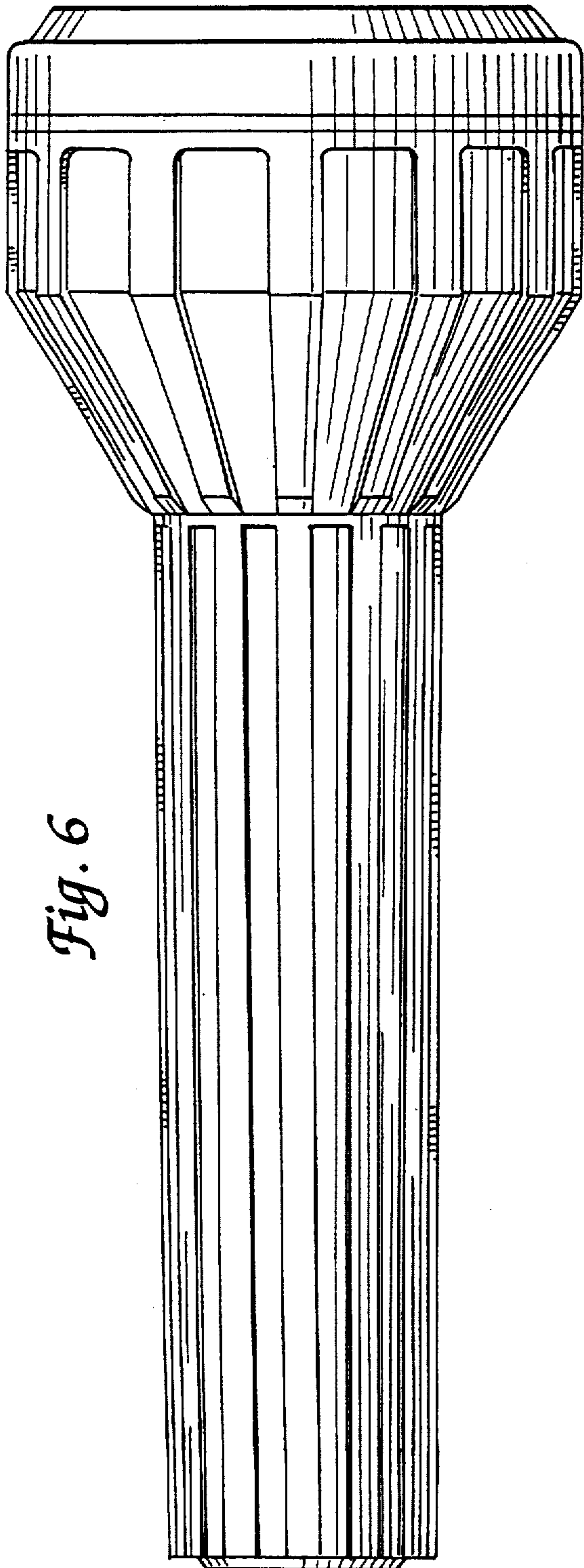


Fig. 6

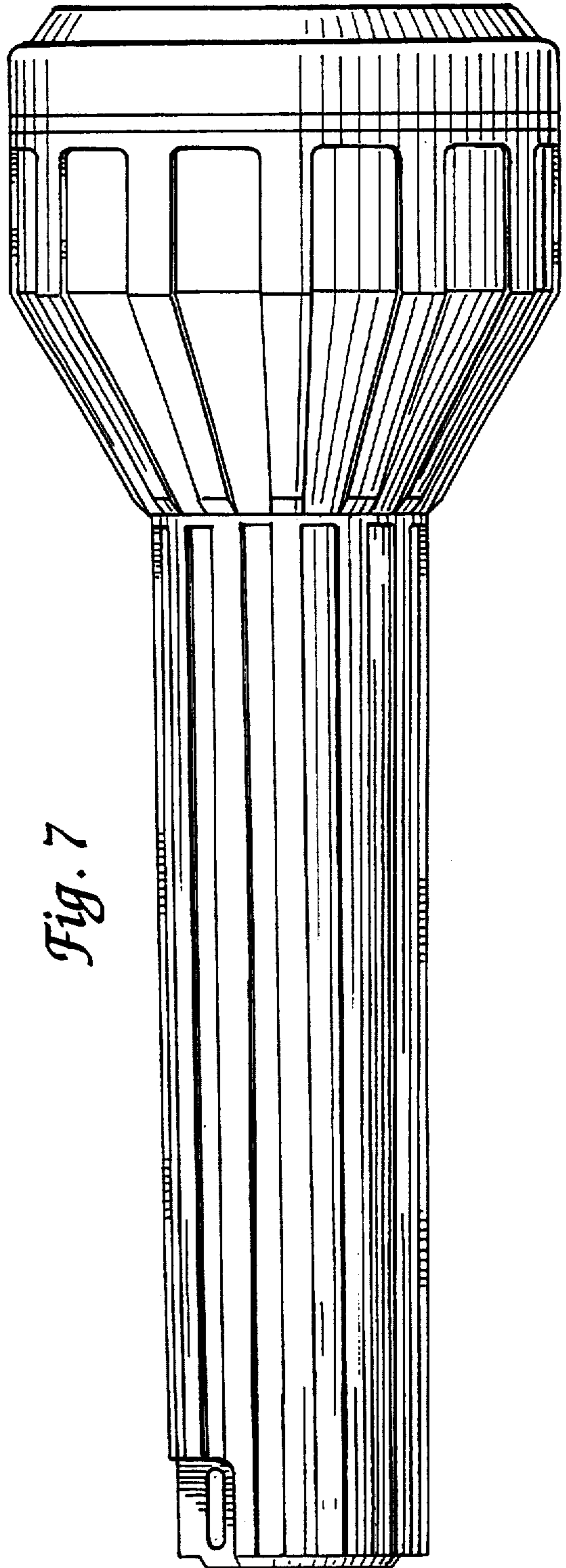


Fig. 7