



US00D351470S

# United States Patent [19]

[11] Patent Number: **Des. 351,470**

Scherer et al.

[45] Date of Patent: **\*\* Oct. 11, 1994**

[54] **PERITONEAL DIALYSIS CYCLER**

4,560,472 12/1985 Granzow et al. .... 604/29 X

[75] Inventors: **Craig S. Scherer, Wilmette; James D. Brewer, Chicago; David C. Brown, Chicago; Christopher S. LaBak, Chicago; Russell L. Robertson, Chicago, all of Ill.**

*Primary Examiner*—Stella Reid  
*Attorney, Agent, or Firm*—Charles R. Mattenson;  
Thomas S. Borecki; Daniel D. Ryan

[73] Assignee: **Baxter International Inc., Deerfield, Ill.**

[57] **CLAIM**

The ornamental design for a peritoneal dialysis cycler, as shown.

[\*\*] Term: **14 Years**

**DESCRIPTION**

[21] Appl. No.: **6,426**

FIG. 1 is a perspective view showing the top, front, and right sides of the peritoneal dialysis cycler;  
FIG. 2 is an elevation view of the front side of the peritoneal dialysis cycler;  
FIG. 3 is an elevation view of the right side of the peritoneal dialysis cycler;  
FIG. 4 is an elevation of the left side of the peritoneal dialysis cycler;  
FIG. 5 is an elevation view of the rear side of the peritoneal dialysis cycler;  
FIG. 6 is a plan view of the top peritoneal dialysis cycler; and,  
FIG. 7 is a plan view of the bottom of the peritoneal dialysis cycler.

[22] Filed: **Mar. 3, 1993**

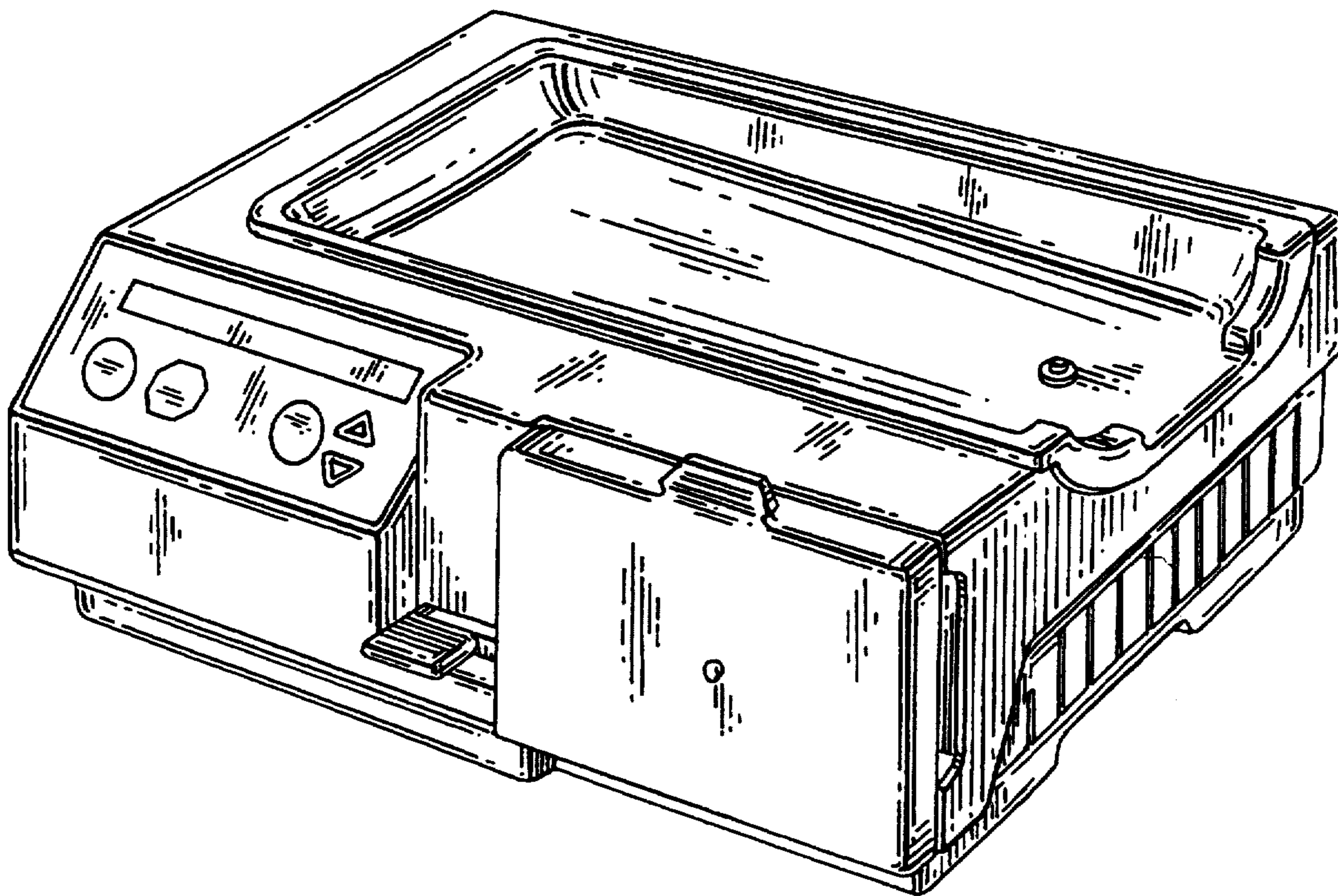
[52] U.S. Cl. .... **D24/169**

[58] Field of Search ..... 604/29, 28; D24/169

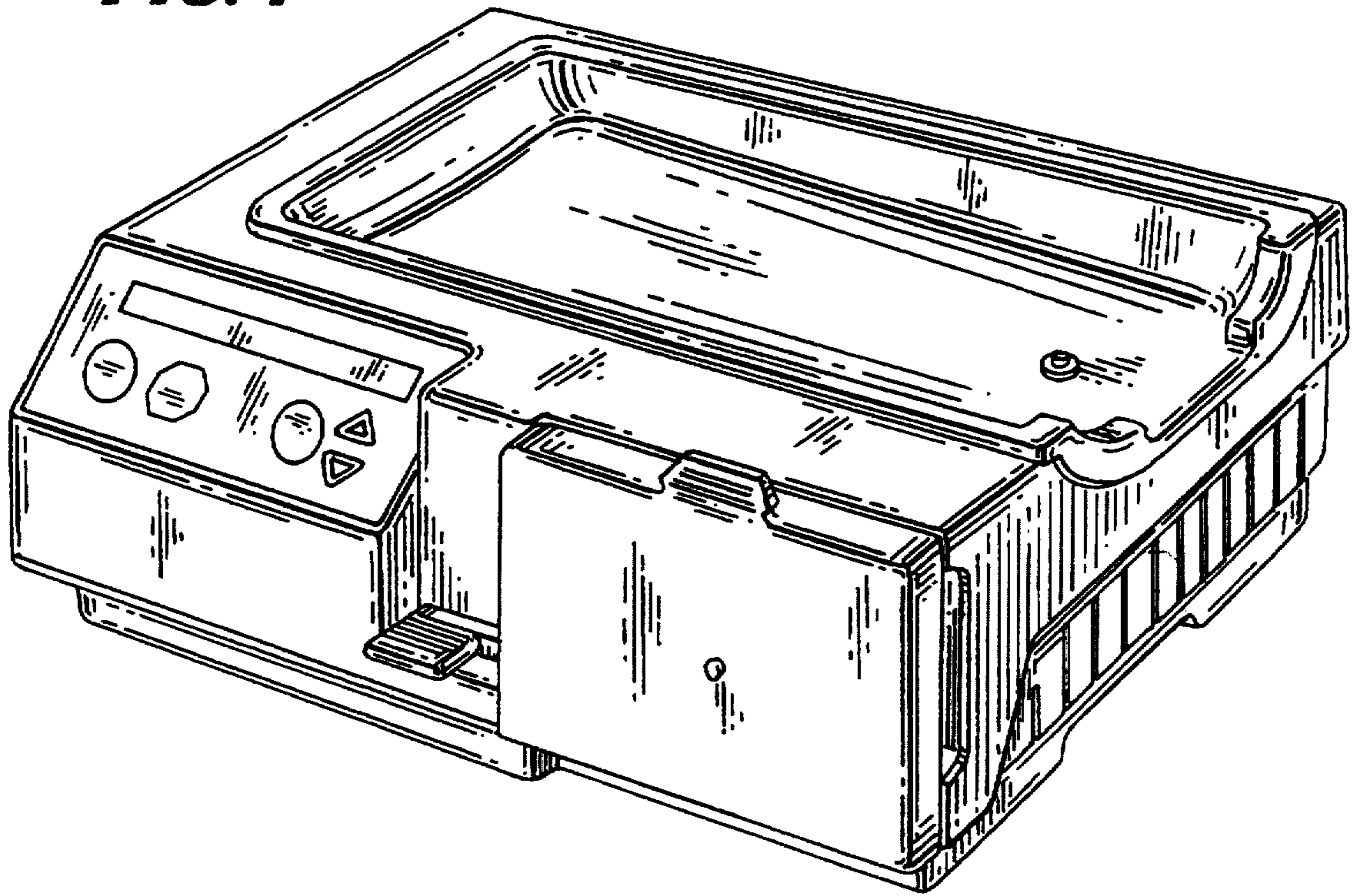
[56] **References Cited**

**U.S. PATENT DOCUMENTS**

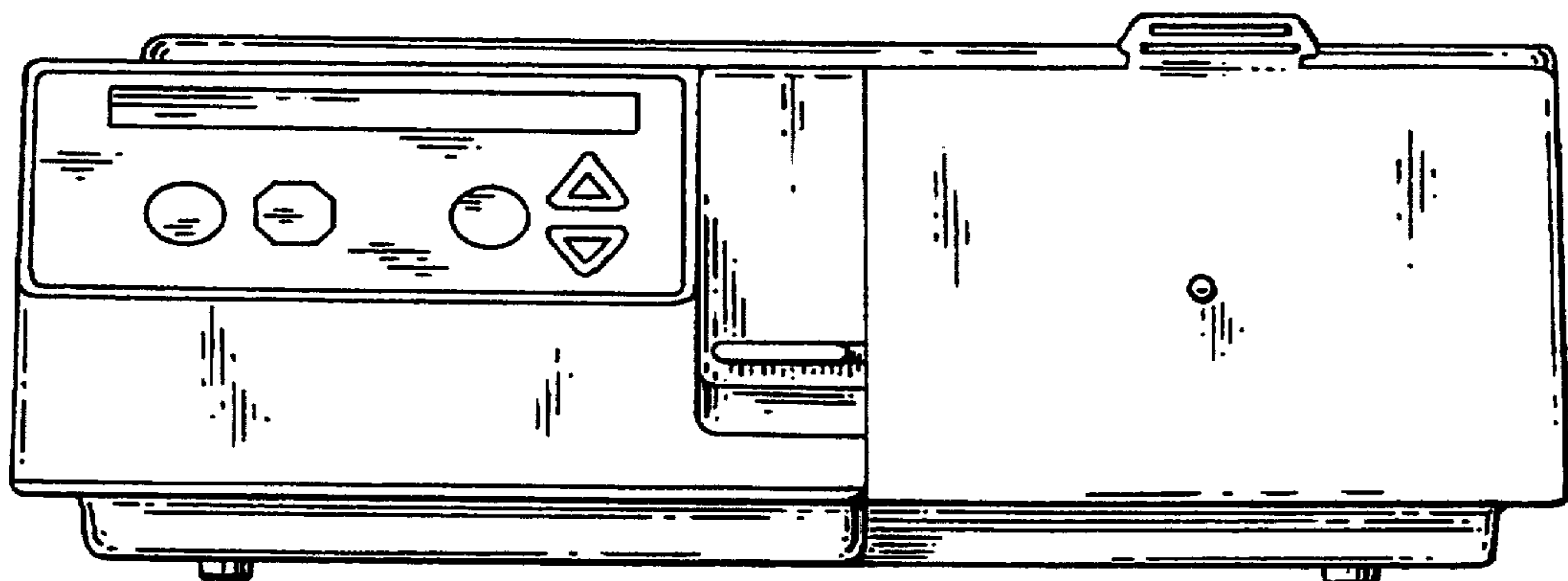
- D. 240,559 7/1976 Kawaguchi ..... D24/169
- D. 308,249 5/1990 Buckley ..... D24/169
- 4,381,003 4/1983 Buoncrisiani ..... D24/169 X
- 4,413,988 11/1983 Handt et al. .... 604/29



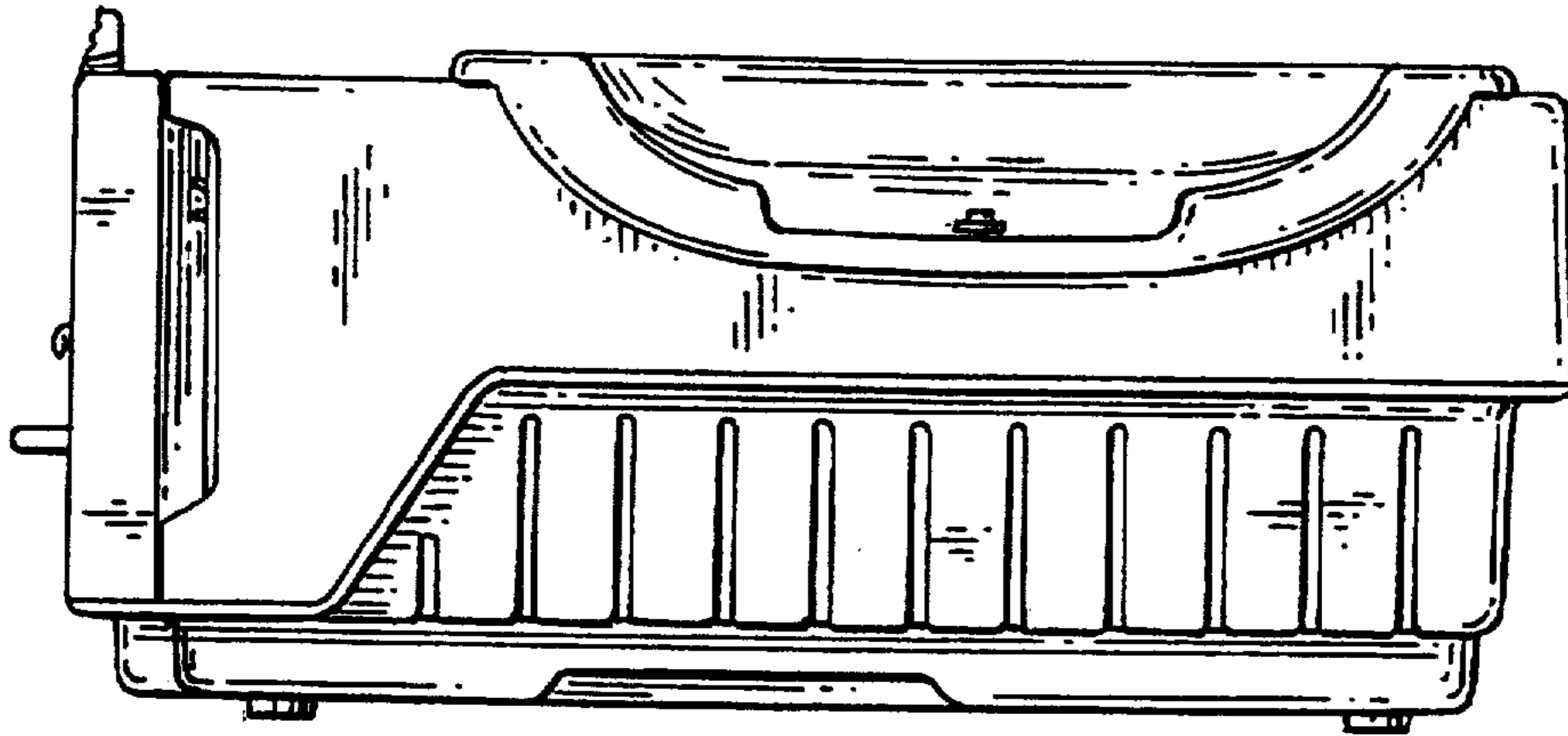
**FIG. 1**



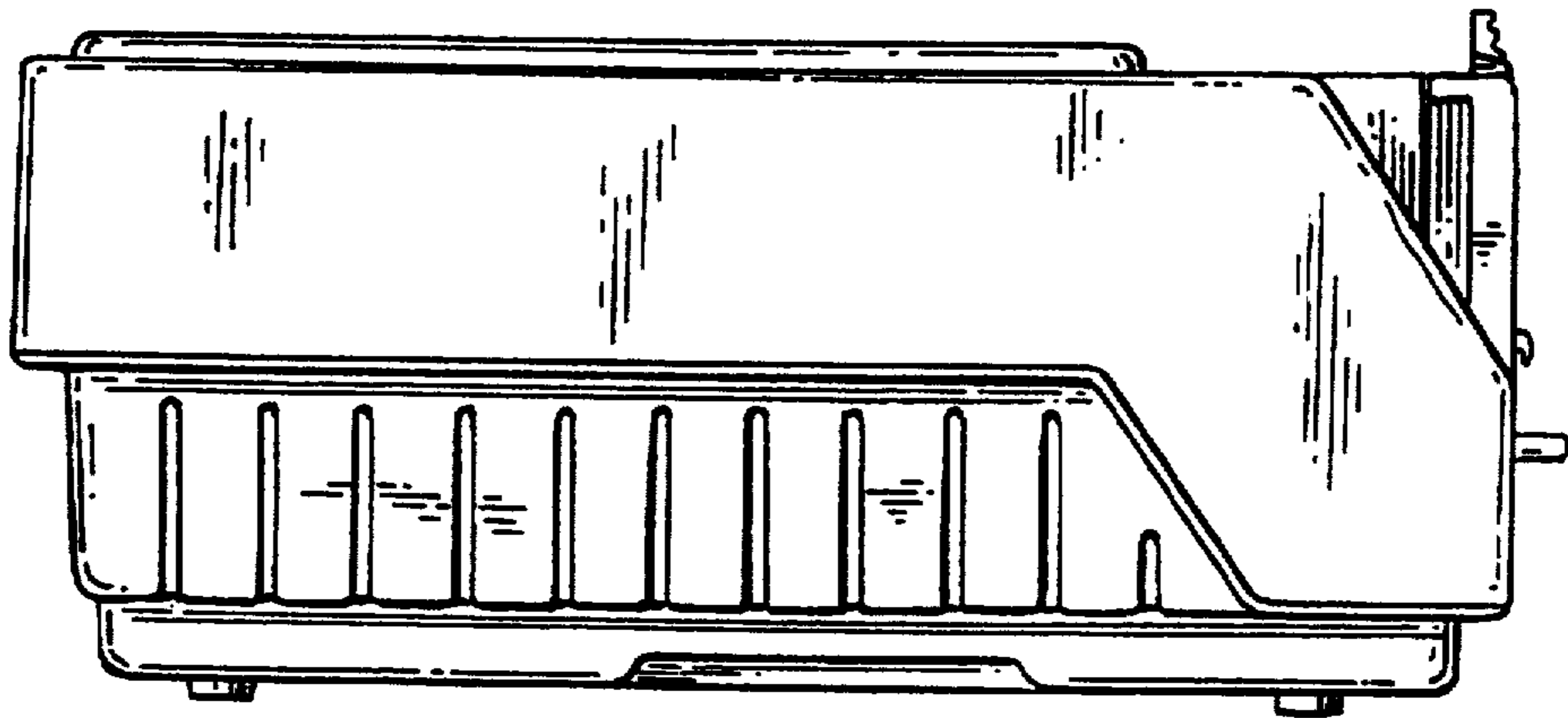
**FIG. 2**



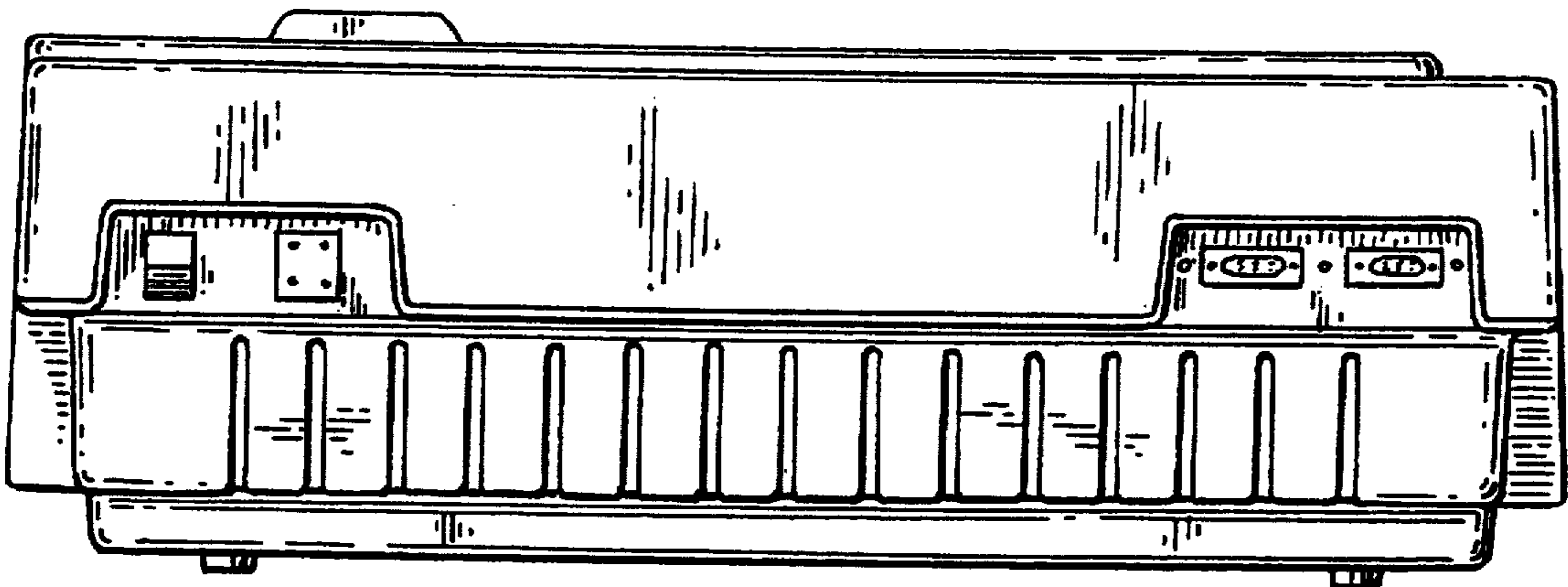
**FIG. 3**



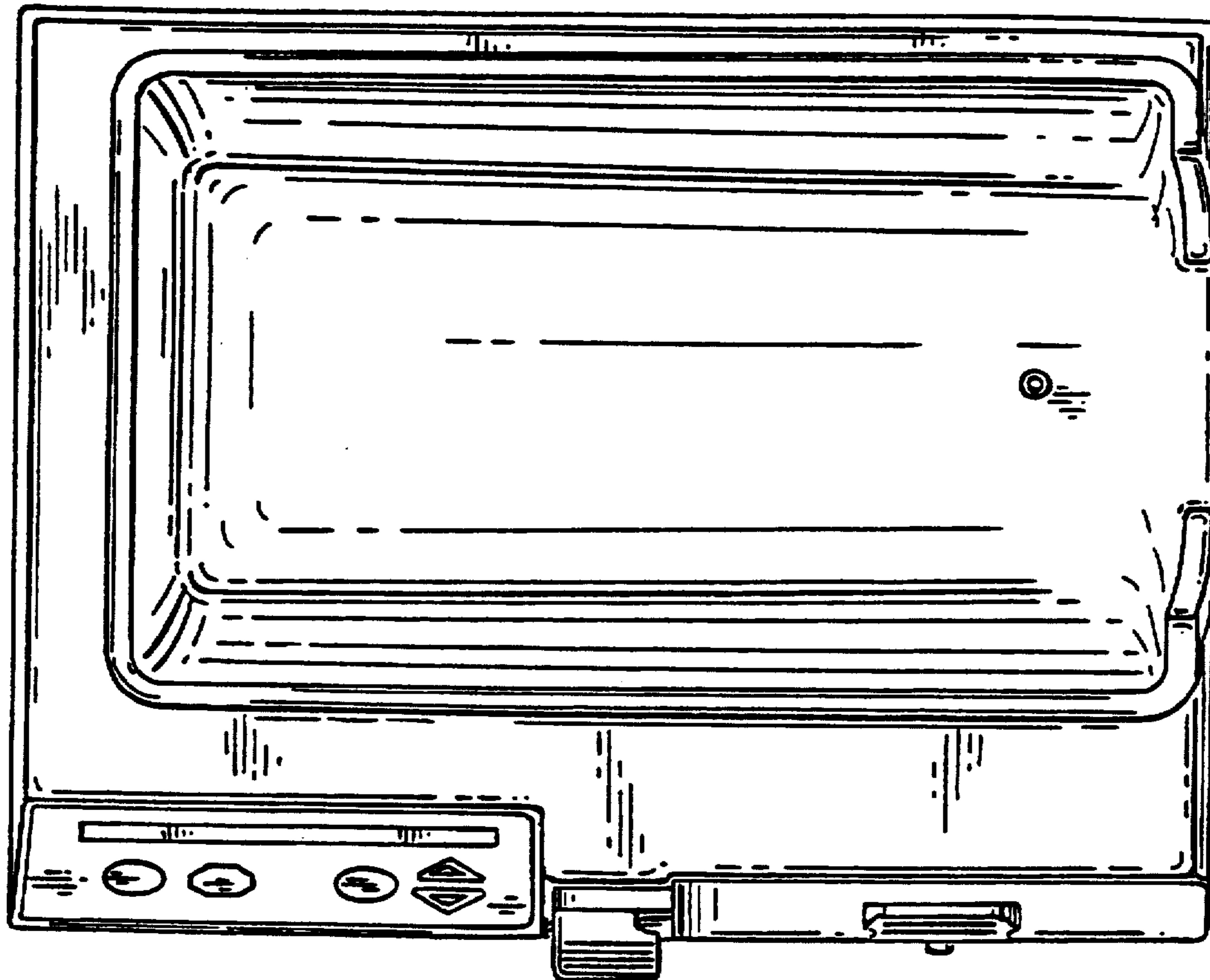
**FIG. 4**



**FIG. 5**



**FIG. 6**



**FIG. 7**

