



US00D351467S

# United States Patent [19]

Koutrouvelis et al.

[11] Patent Number: **Des. 351,467**

[45] Date of Patent: **\*\* Oct. 11, 1994**

[54] **STEREOTACTIC BRIDGE**

[76] Inventors: **Panos G. Koutrouvelis; Aristides P. Koutrouvelis**, both of 1201 Ballantrae La., McLean, Va. 22101

[\*\*] Term: **14 Years**

[21] Appl. No.: **4,480**

[22] Filed: **Feb. 5, 1993**

[52] U.S. Cl. .... **D24/140**

[58] Field of Search ..... 606/1, 130; D24/140; D10/64, 65

[56] **References Cited**

**U.S. PATENT DOCUMENTS**

D. 256,784 9/1980 Nishina et al. .... D10/64 X

4,653,509	3/1987	Oloff et al. ....	606/130 X
4,682,593	7/1987	Johnson .....	606/1
4,955,891	9/1990	Carol .....	606/130
5,080,662	1/1992	Paul .....	606/130

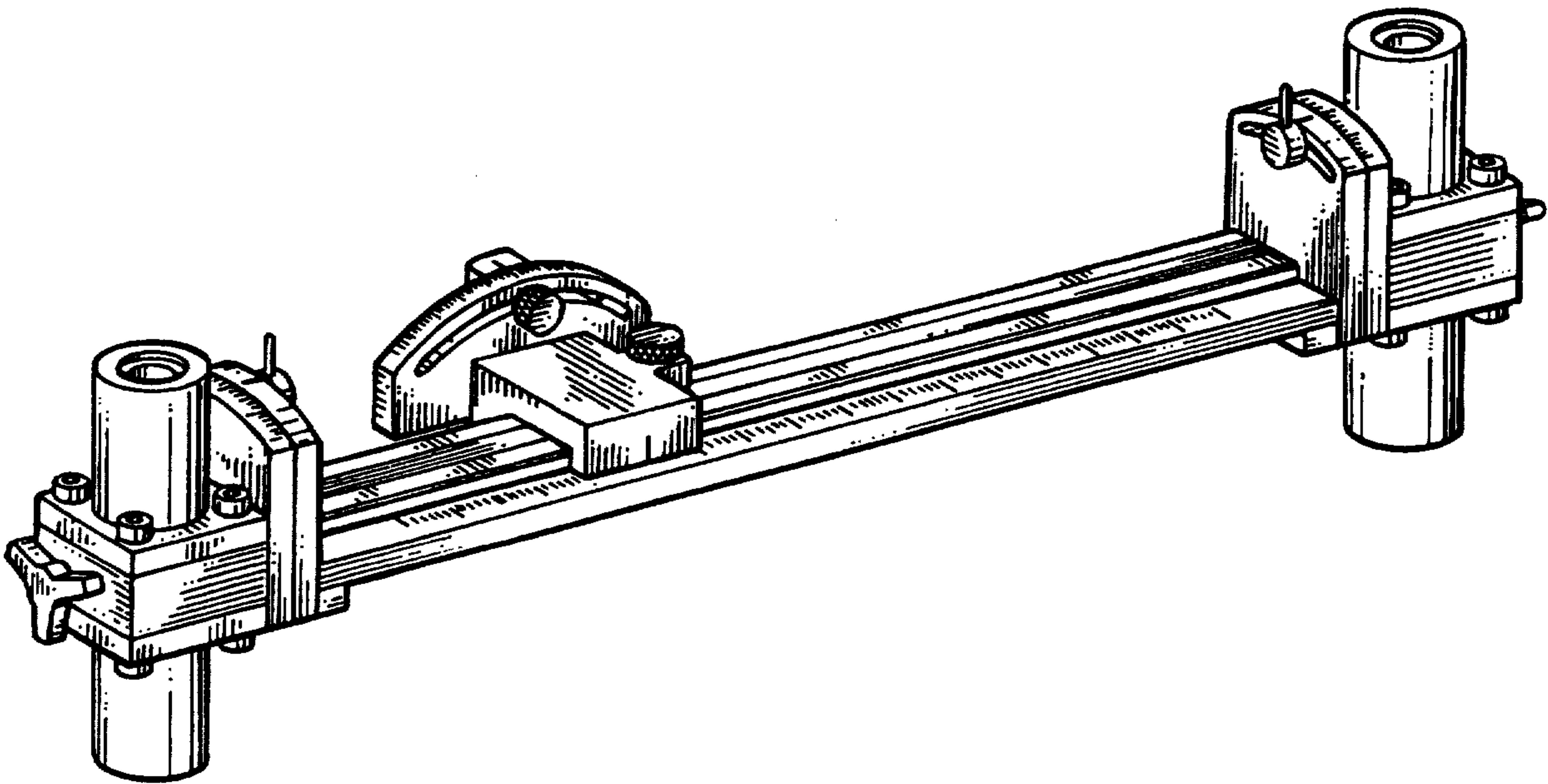
*Primary Examiner*—A. Hugo Word  
*Assistant Examiner*—I. Simmons  
*Attorney, Agent, or Firm*—Fish & Richardson

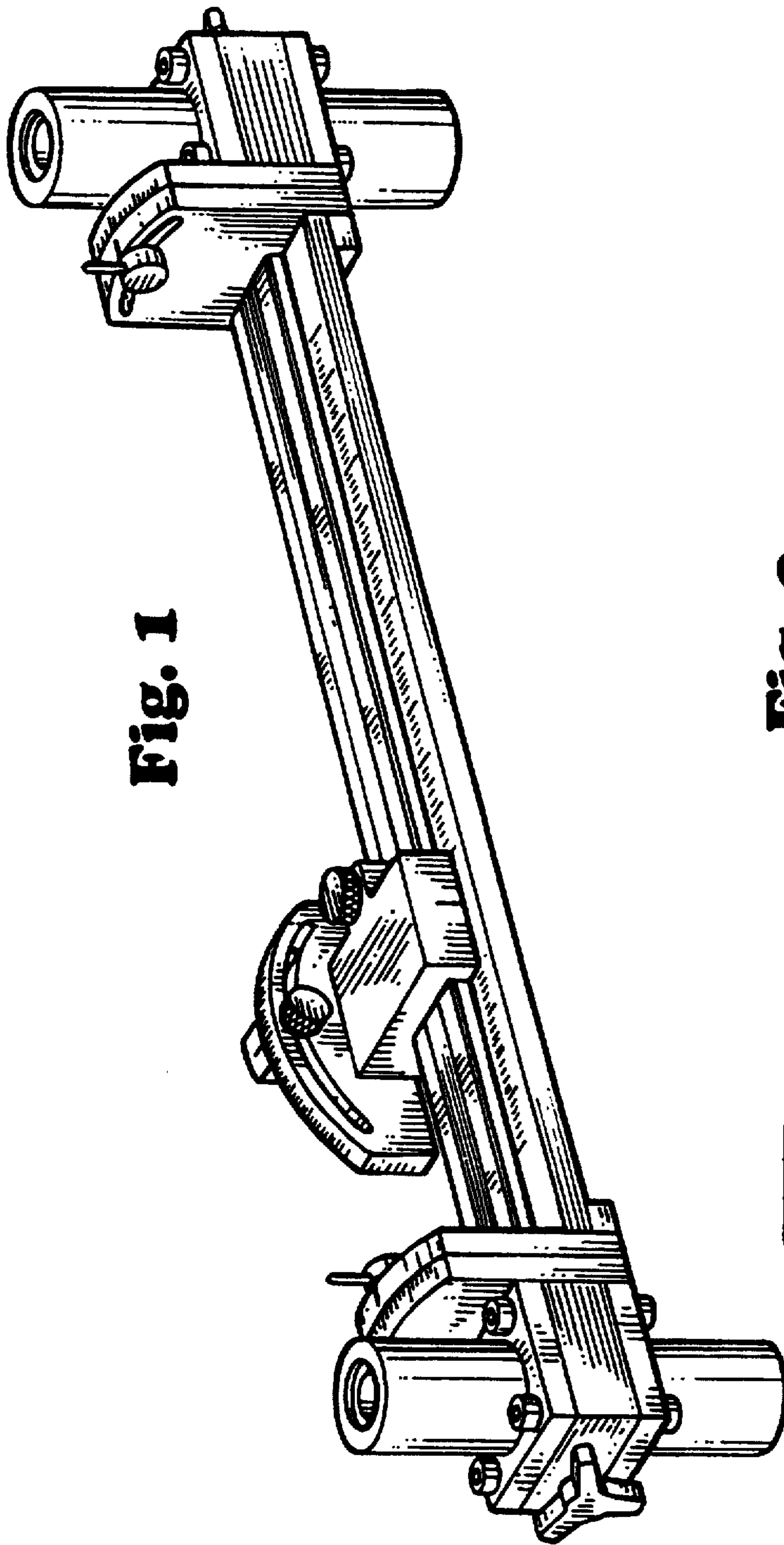
[57] **CLAIM**

The ornamental design for a stereotactic bridge, as shown and described.

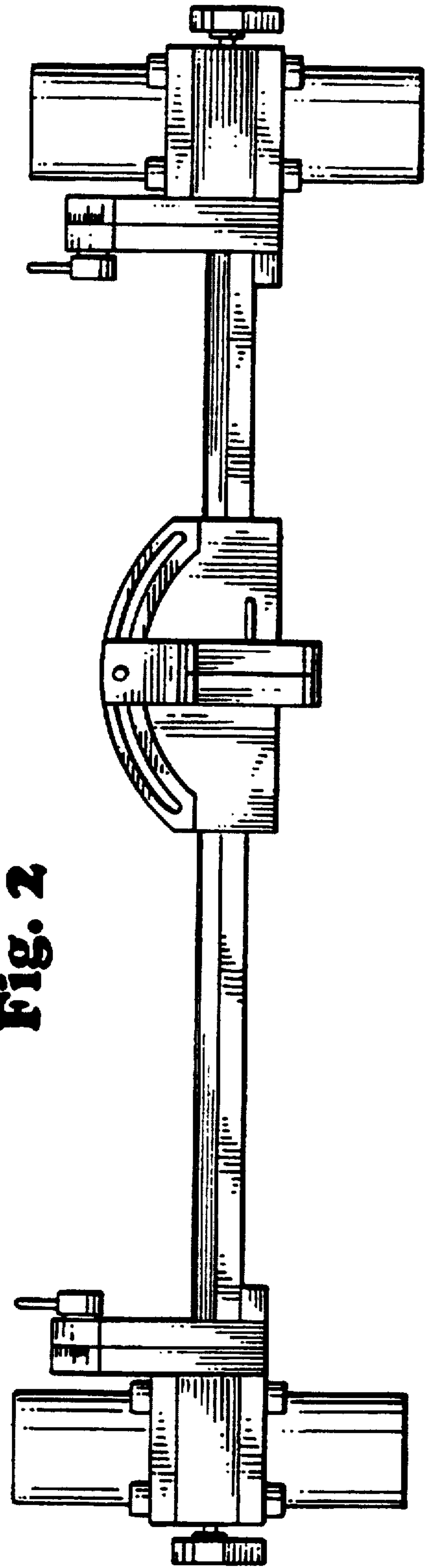
**DESCRIPTION**

FIG. 1 is a perspective view of a stereotactic bridge; FIG. 2 is a front view thereof; FIG. 3 is a top view thereof; FIG. 4 is a bottom view thereof; and, FIG. 5 is an end view thereof.





**Fig. 1**



**Fig. 2**

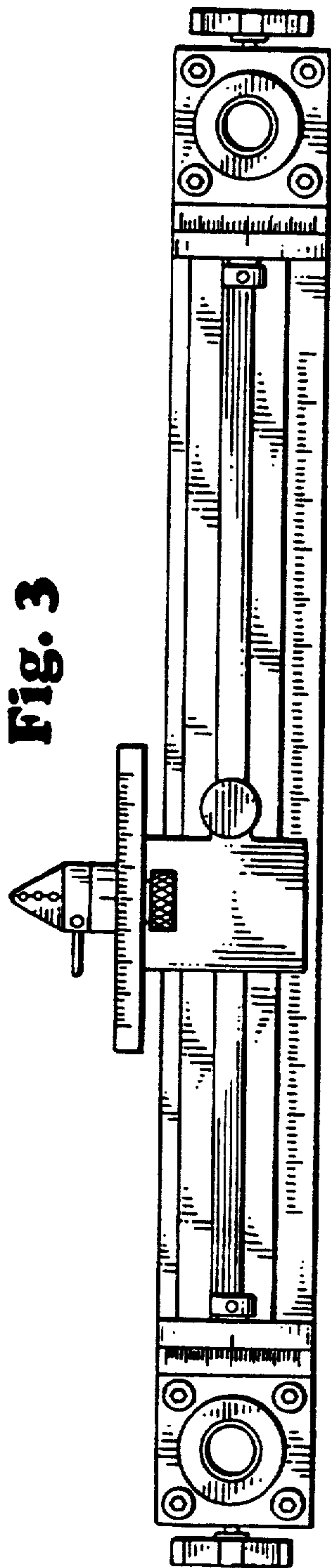


Fig. 3

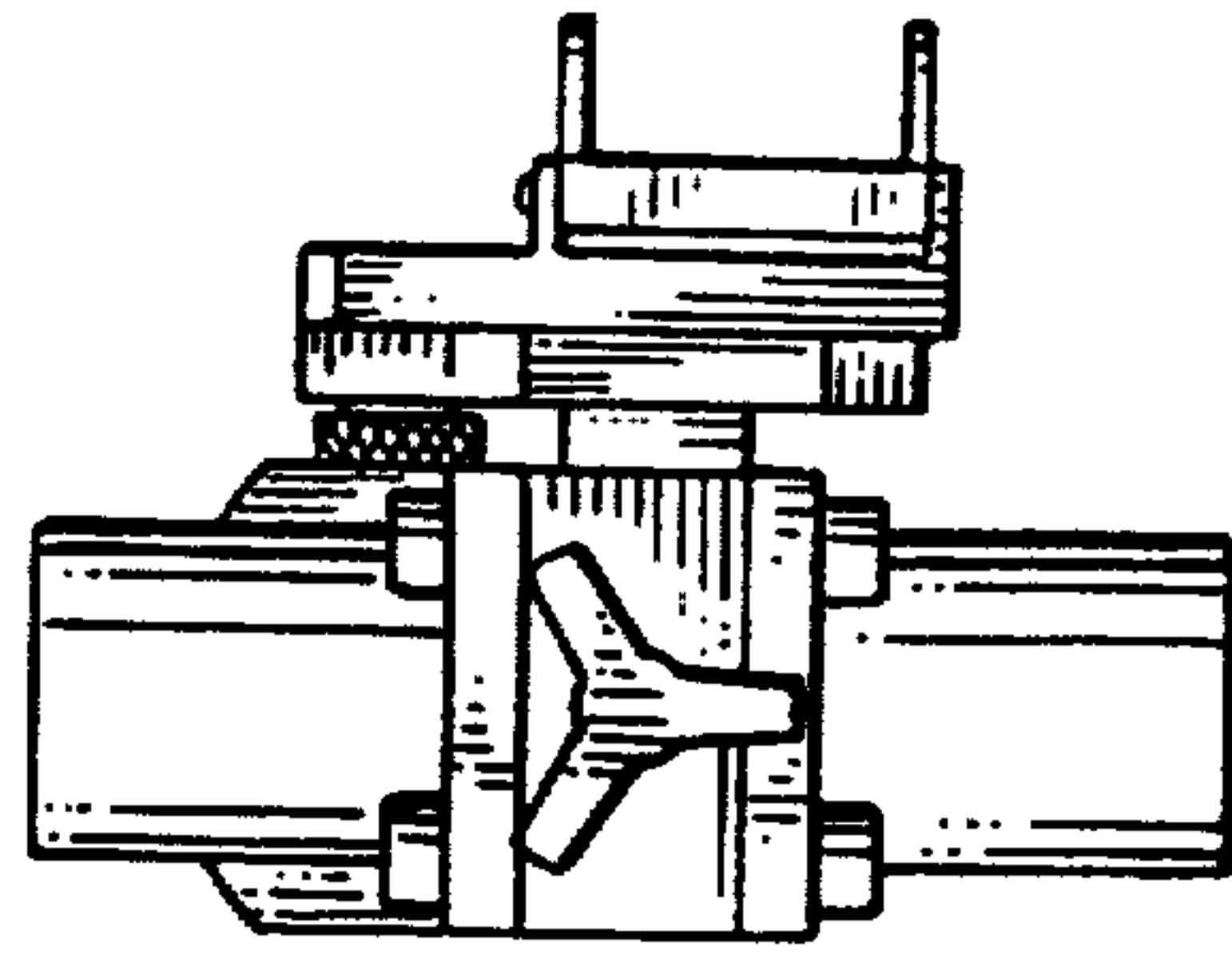


Fig. 5

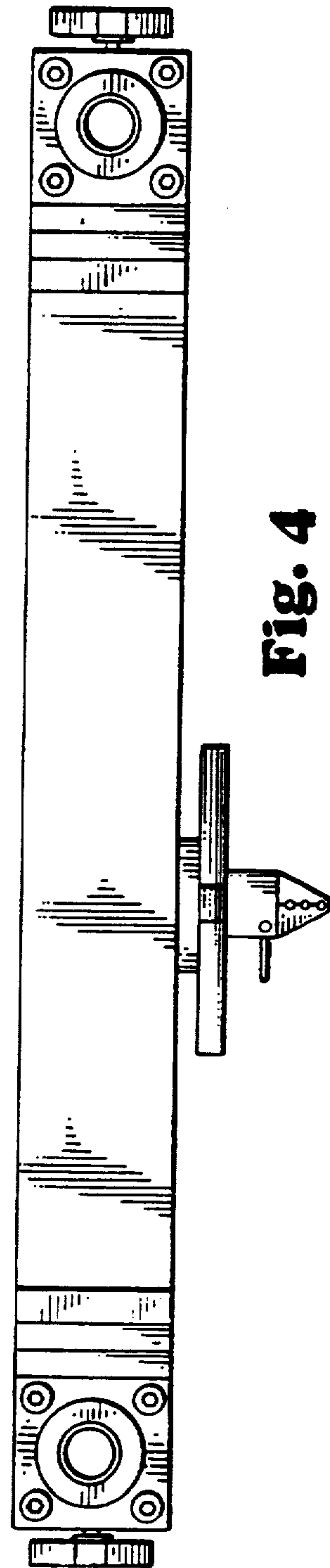


Fig. 4