



US00D351462S

United States Patent [19] Bengtson

[11] Patent Number: Des. 351,462

[45] Date of Patent: ** Oct. 11, 1994

[54] ENTRY FOR A BATHING TUB

[75] Inventor: Alan D. Bengtson, Shorewood, Wis.

[73] Assignee: Kohler Co., Kohler, Wis.

[**] Term: 14 Years

[21] Appl. No.: 11,200

[22] Filed: Jul. 29, 1993

[52] U.S. Cl. D23/306

[58] Field of Search 4/546, 548, 551, 552,
4/554, 559, 570, 574.1, 578.1, 584, 589, 590;
D23/305, 303, 306, 307; D25/2

[56] References Cited

U.S. PATENT DOCUMENTS

D. 189,413	12/1960	Rodman	D23/306
D. 264,627	5/1982	Lougmore	D25/2 X
D. 265,678	8/1982	Ballard	D23/55
2,306,934	12/1942	Cade	4/590
2,677,268	5/1954	Hobbs	52/35
2,847,680	8/1958	Dornack	4/589
2,982,972	5/1961	Bowden	4/584
3,380,078	4/1968	Hanson	4/590 X

OTHER PUBLICATIONS

Two Aqua Glass ads showing a model CW6890 Garden Bath, admitted prior art. Copyright 1990.

A Kohler ad dated May 1992 showing a model K-15-94-H Aventura shower and soak whirlpool.

Primary Examiner—A. Hugo Word

Assistant Examiner—Eric Watterson

Attorney, Agent, or Firm—Quarles & Brady

[57] CLAIM

The ornamental design for an entry for a bathing tub, as shown and described.

DESCRIPTION

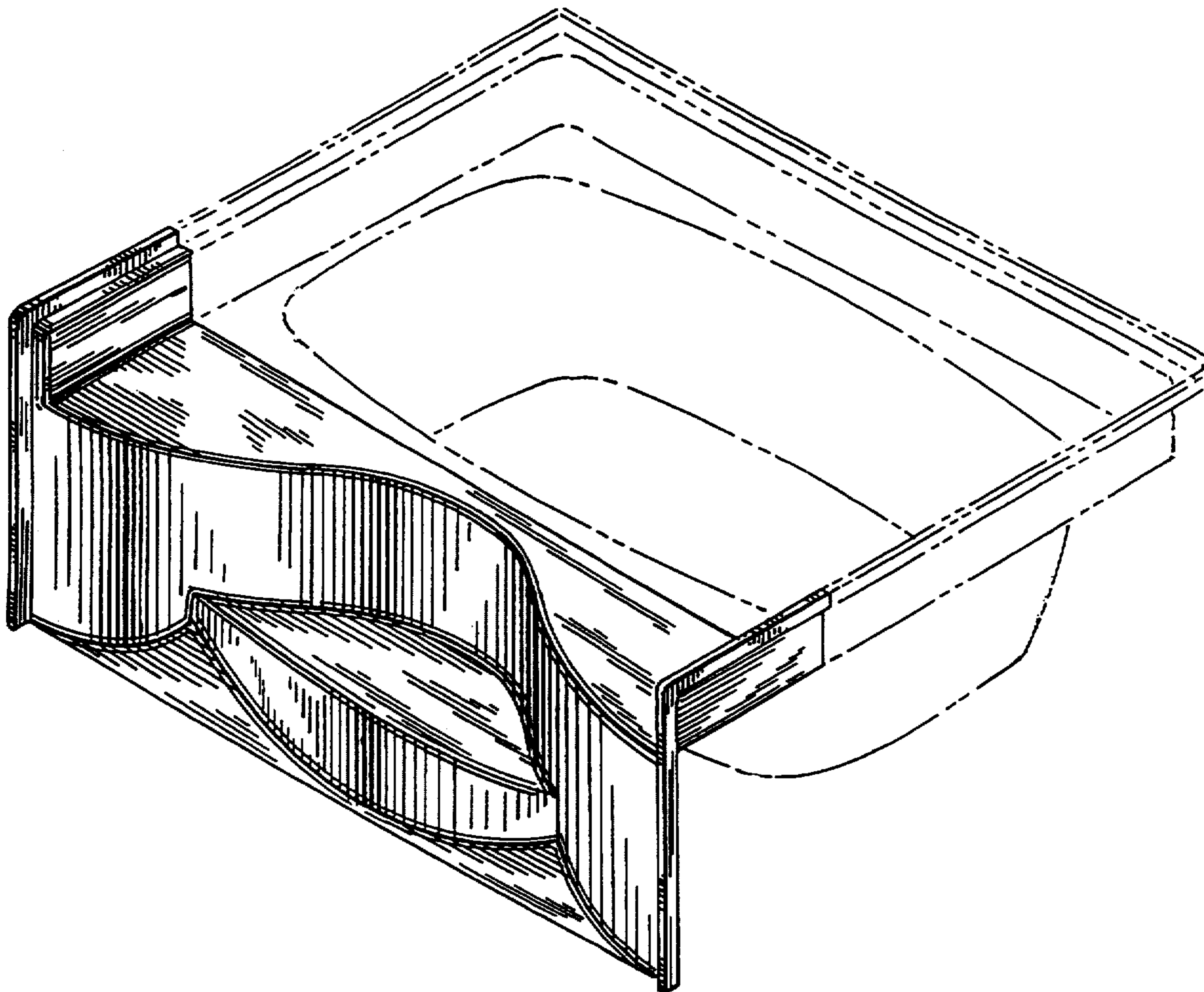
FIG. 1 is a perspective view taken from the top, front and right side of an entry for a bathing tub showing my new design;

FIG. 2 is a top plan view thereof;

FIG. 3 is a front elevational view thereof; and,

FIG. 4 is a right side elevational view thereof, the left side being the mirror image of the right side.

The fragmentary broken line representation of a bathing tub with which the claimed design may be associated is for the purpose of illustration only, and forms no part of the claimed design.



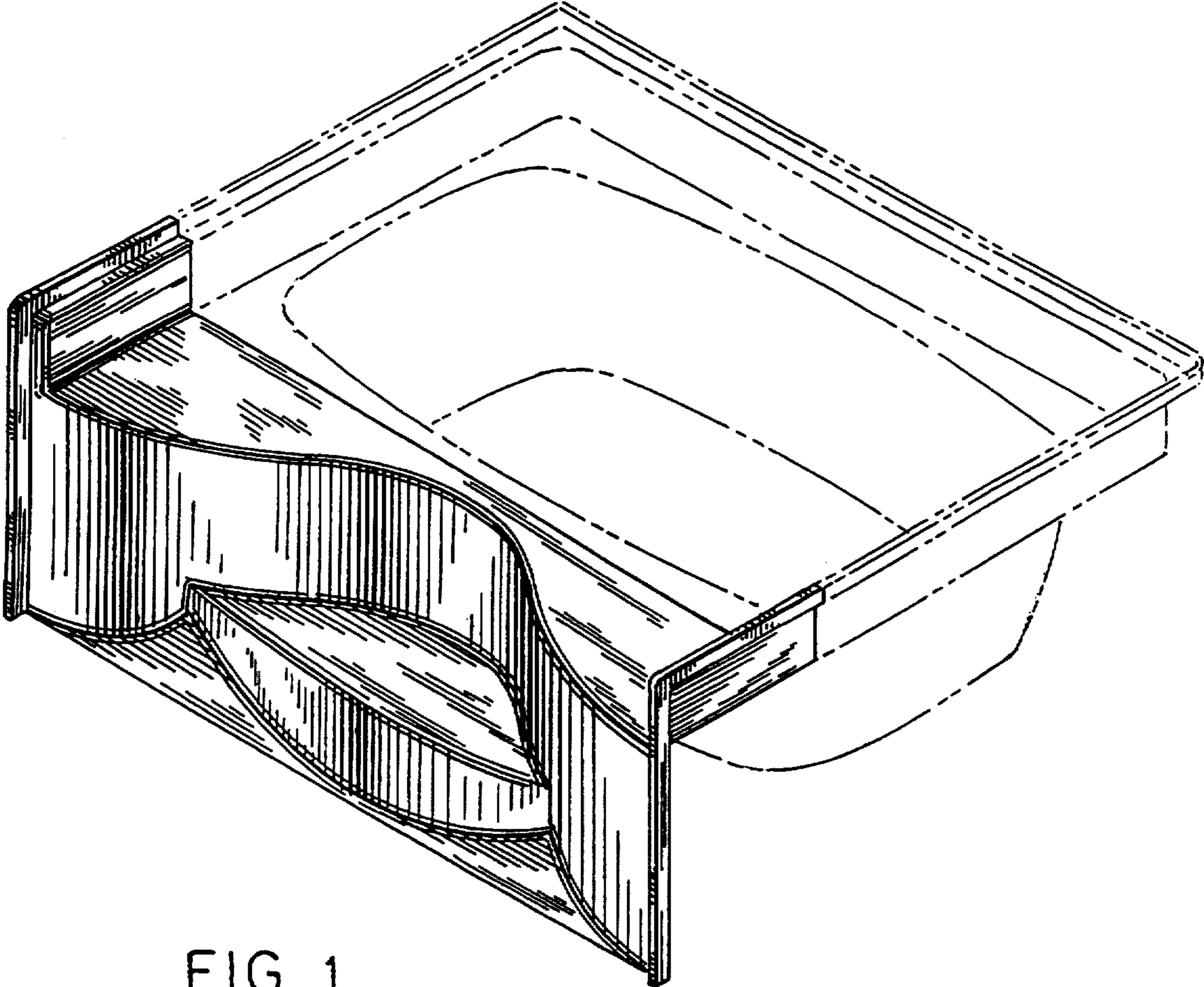


FIG. 1

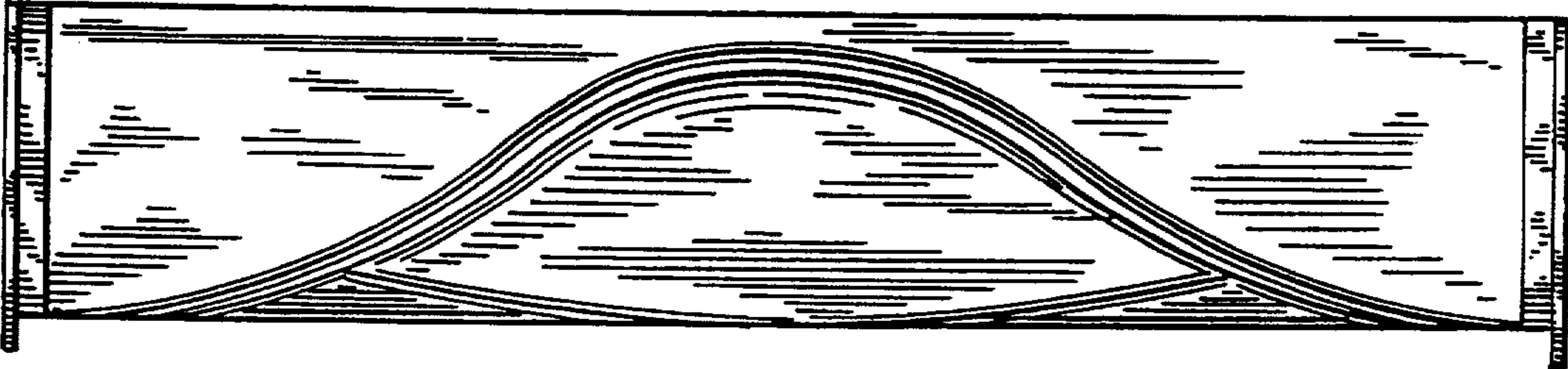


FIG. 2

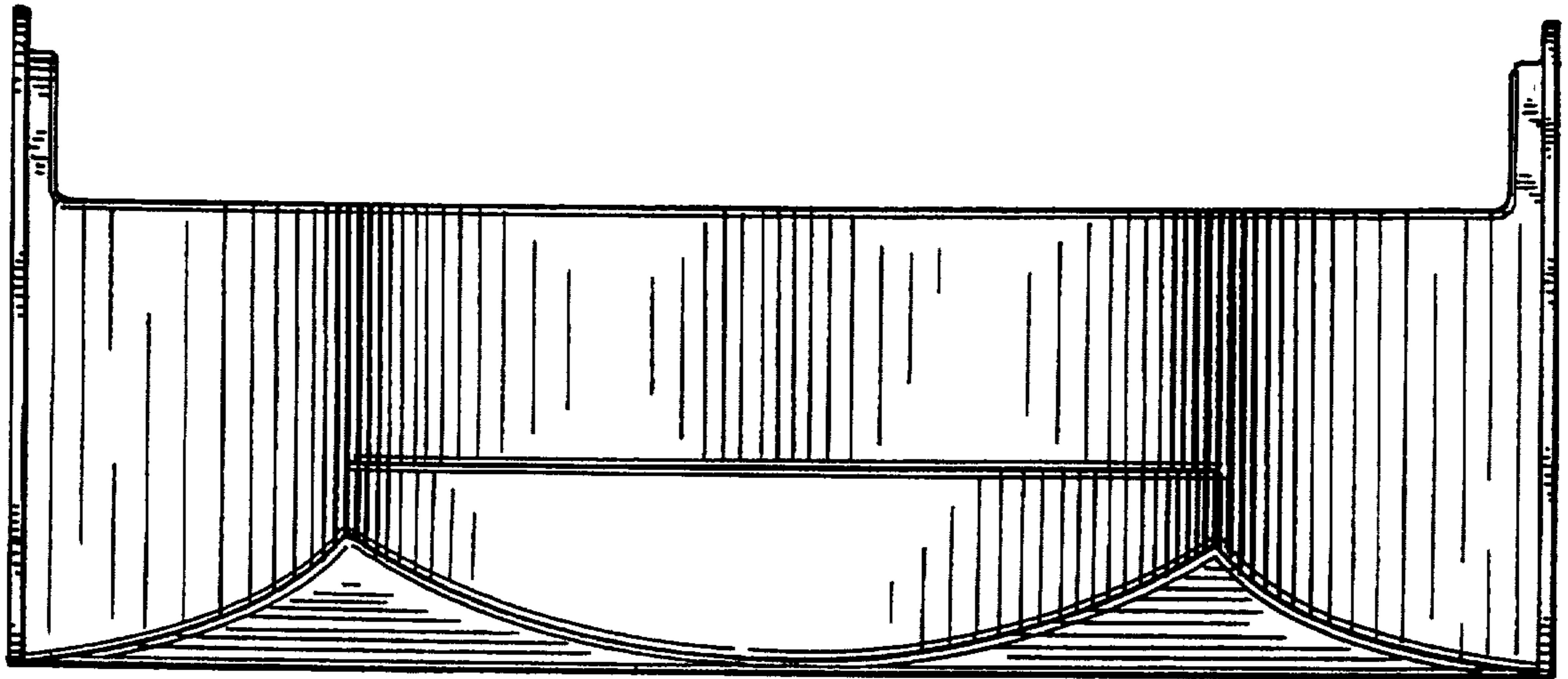


FIG. 3

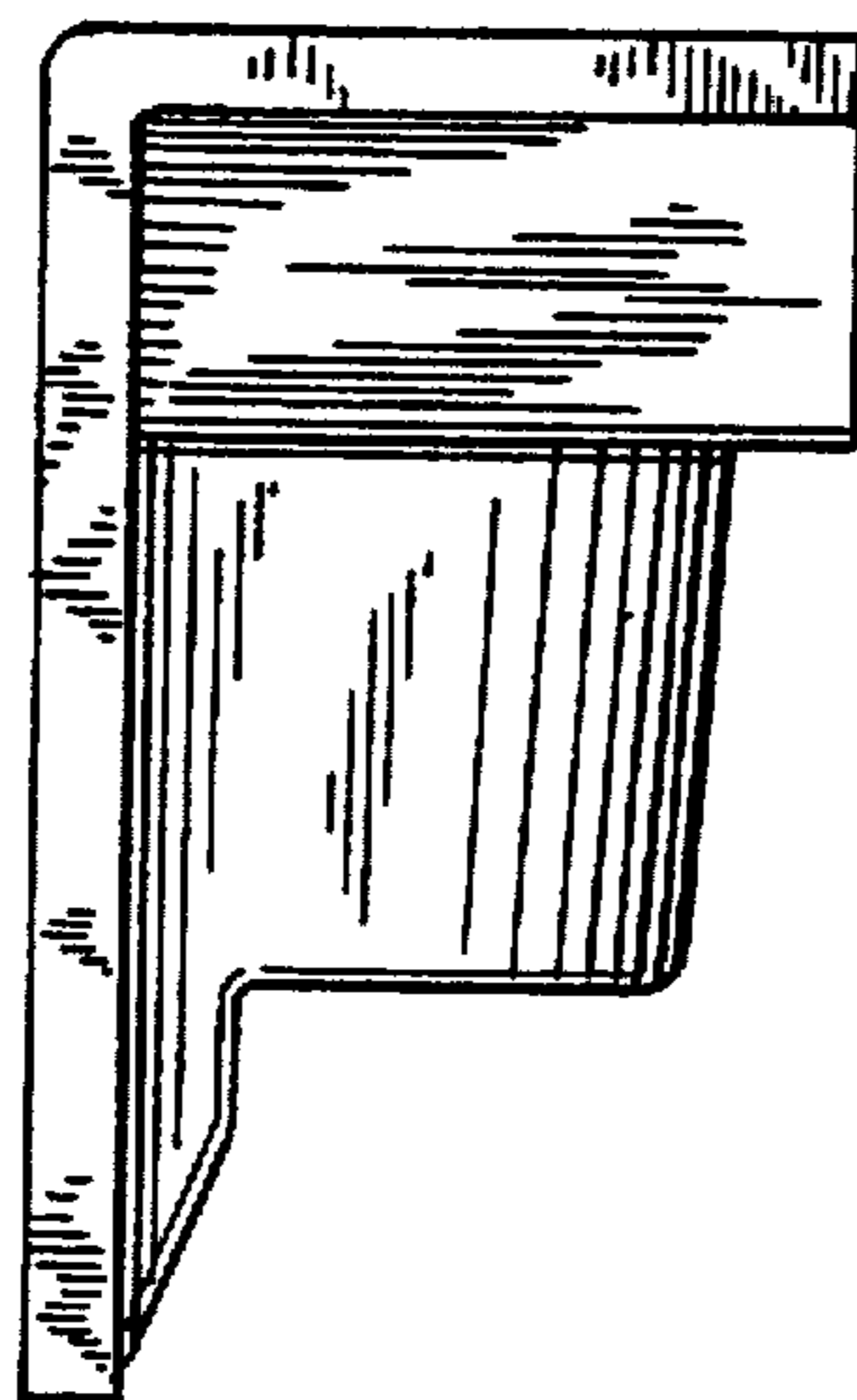


FIG. 4