



US00D351459S

# United States Patent [19]

Andersson

[11] Patent Number: **Des. 351,459**

[45] Date of Patent: **\*\* Oct. 11, 1994**

[54] **SEALING RING**

4,421,330 12/1983 Burke ..... 277/165 X  
4,818,209 4/1989 Petersson ..... 425/392

[75] Inventor: **Joakim Andersson**, Lyckasvagen, Sweden

*Primary Examiner*—Stela Reid  
*Assistant Examiner*—Eric Watterson  
*Attorney, Agent, or Firm*—Baker & Daniels

[73] Assignee: **Forsheda AB**, Forsheda, Sweden

[\*\*] Term: **14 Years**

[57] **CLAIM**

[21] Appl. No.: **943,455**

The ornamental design for a sealing ring, as shown and described.

[22] Filed: **Sep. 10, 1992**

[52] U.S. Cl. .... **D23/269**

[58] Field of Search ..... 277/207 A, 227, 165,  
277/DIG. 2.3; 285/231; D23/259-269

### DESCRIPTION

FIG. 1 is an elevational view of a sealing ring, showing my new design, with all other sides being identical to that shown;

FIG. 2 is a top plan view thereof;

FIG. 3 is a cross-sectional view thereof, taken along line 3—3 of FIG. 2;

FIG. 4 is a bottom plan view thereof;

FIG. 5 is an elevational view of the sealing ring with the top portion removed;

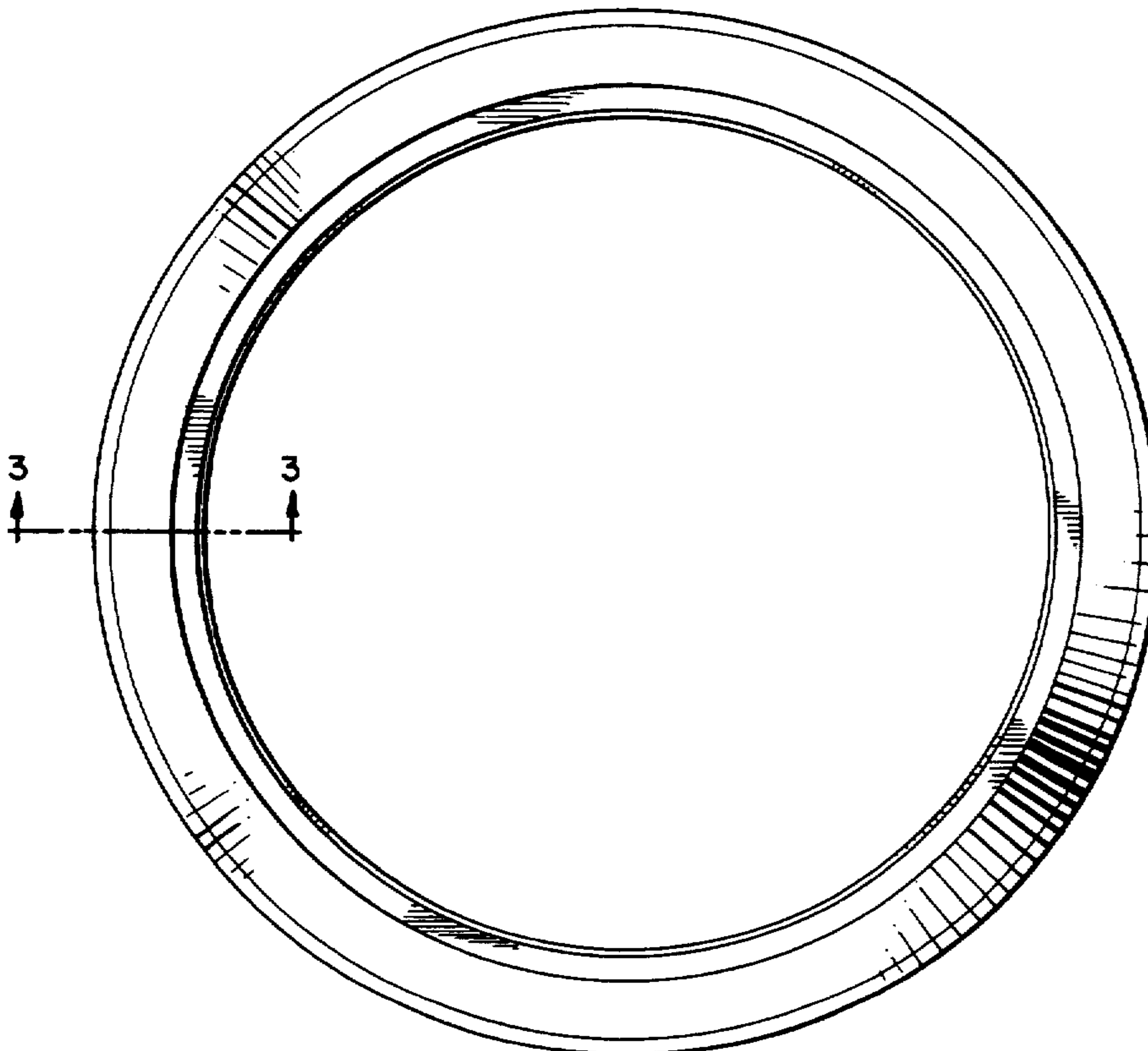
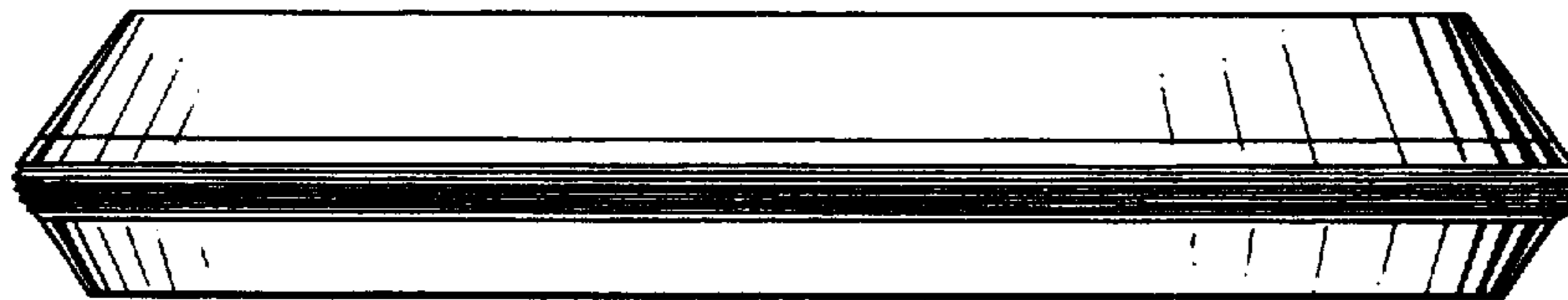
FIG. 6 is a top plan view of FIG. 5; and,

FIG. 7 is a cross-sectional view thereof taken along line 7—7 of FIG. 5.

### [56] References Cited

#### U.S. PATENT DOCUMENTS

D. 285,109	8/1986	JUM/o/ rnhaben	.....	D23/269
D. 285,247	8/1986	Jörnhaben	.....	D23/269
793,493	6/1905	McDonald	.....	277/227 X
2,557,835	6/1951	Monahan	.....	277/227 X
2,607,644	8/1952	Smith et al.	.....	277/165 X
3,920,254	11/1975	Johnson et al.	.....	277/165 X
4,190,259	2/1980	Zitting	.....	277/165



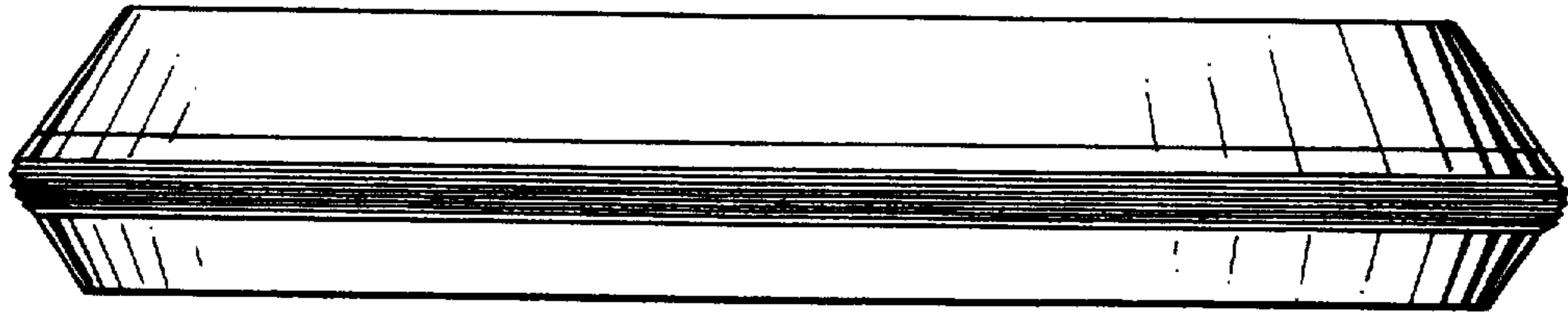


FIG. 1

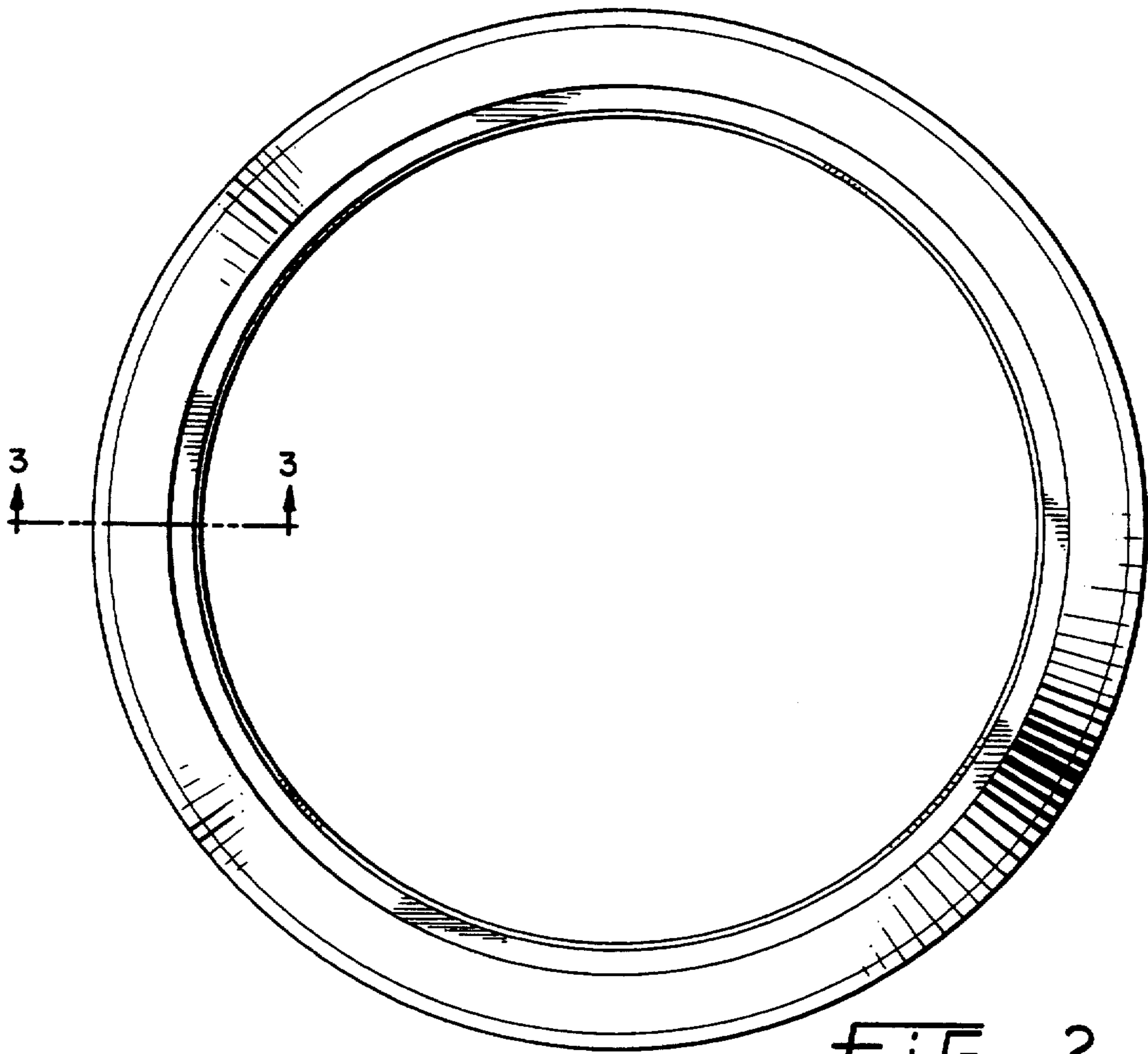


FIG. 2

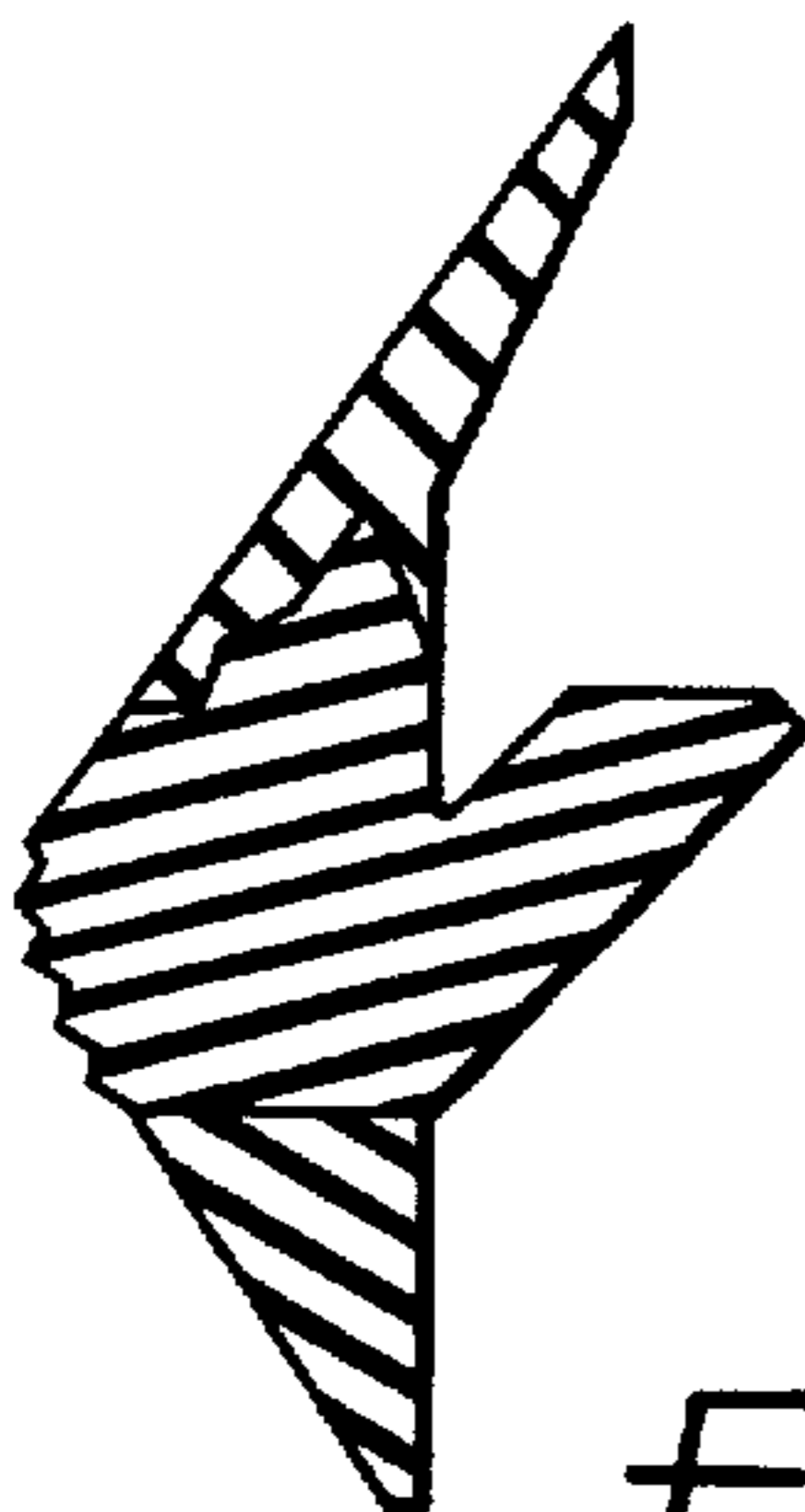


FIG. 3

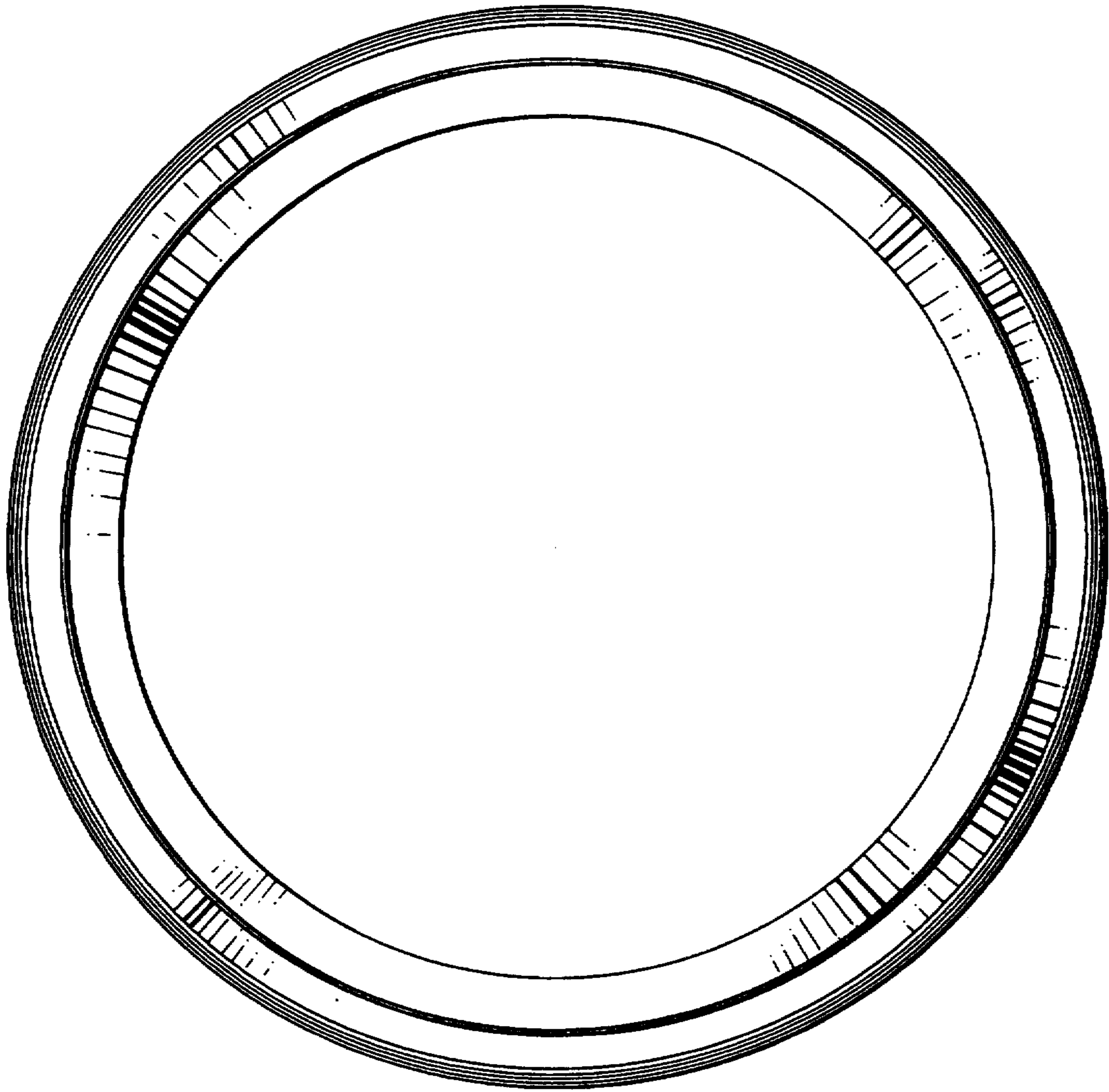


FIG. 4

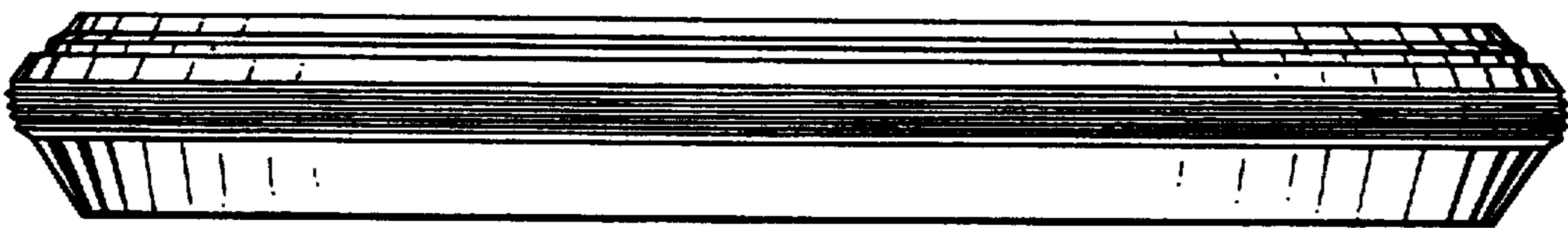


FIG. 5

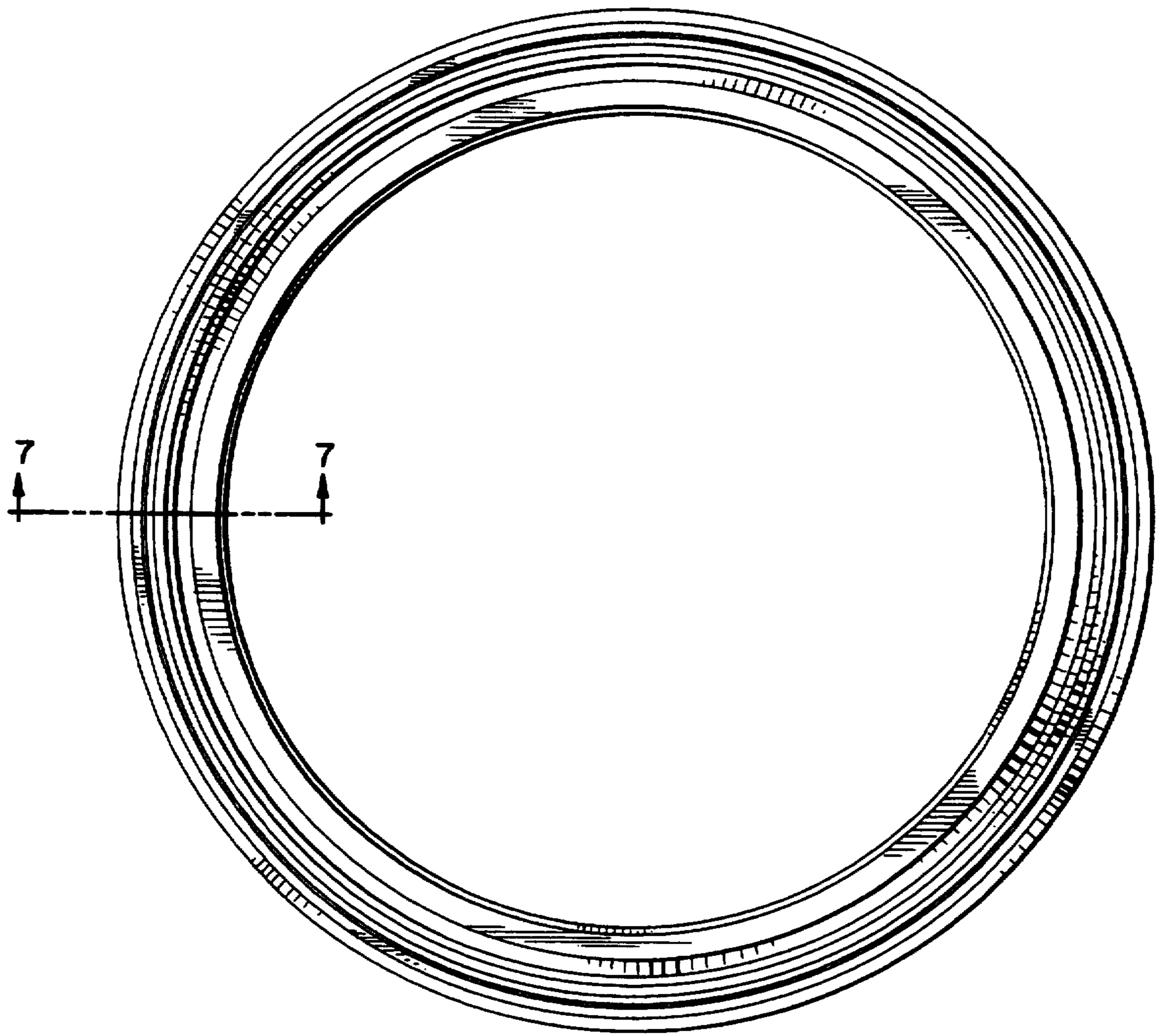


FIG. 6

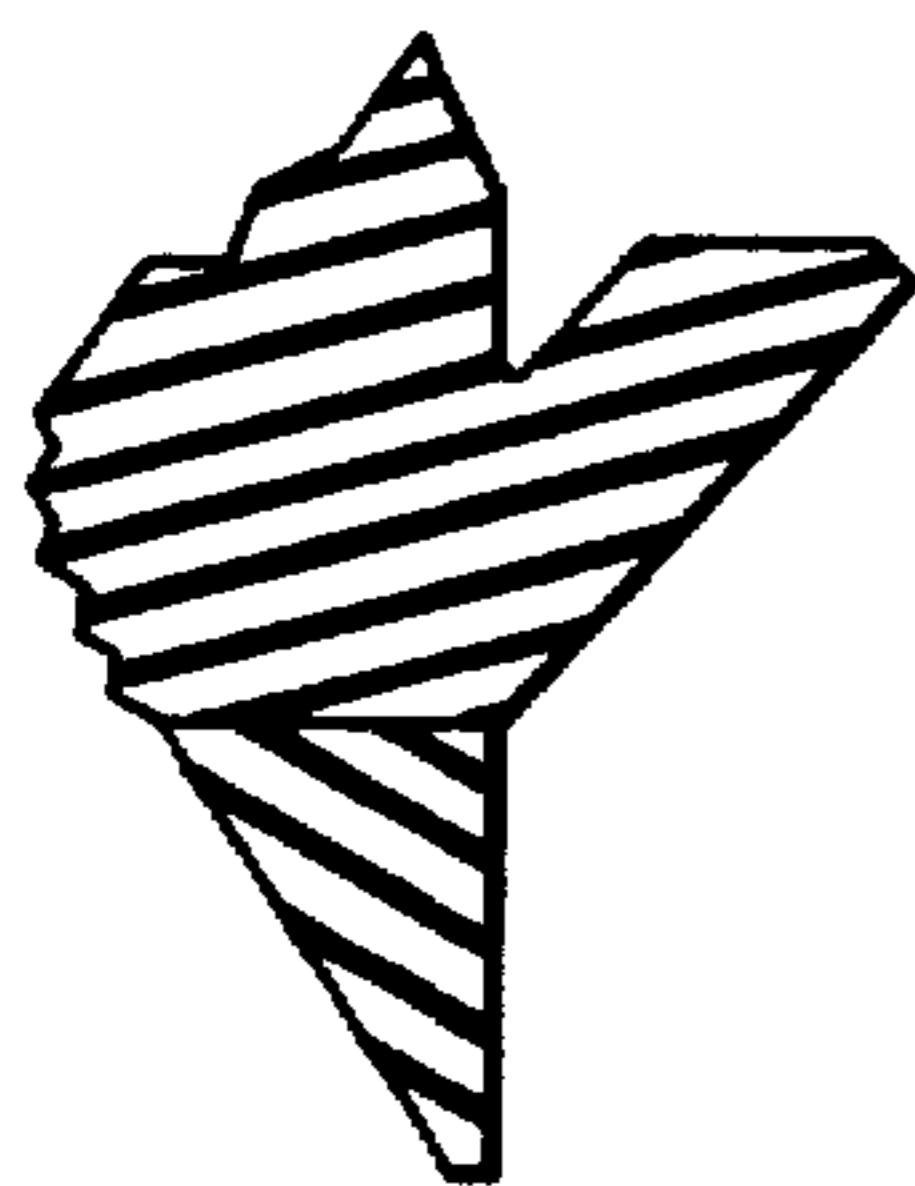


FIG. 7