



US00D351456S

United States Patent [19]

Paul

[11] Patent Number: **Des. 351,456**

[45] Date of Patent: **** Oct. 11, 1994**

[54] FAUCET HANDLE

[76] Inventor: **Stanley M. Paul**, 214 Bedford Rd.,
Greenwich, Conn. 06831

[**] Term: **14 Years**

[21] Appl. No.: **4,947**

[22] Filed: **Feb. 17, 1993**

[52] U.S. Cl. **D23/252**

[58] Field of Search **D8/300, 307-312;**
16/110 R, 118-121; 4/675-678; D23/238-243,
250-254

[56] **References Cited**

U.S. PATENT DOCUMENTS

- D. 298,411 11/1988 Castiglioni D8/308
- D. 299,002 12/1988 Emerson D8/308
- D. 312,119 11/1990 Bergmann D23/238

- D. 325,427 4/1992 Paul D23/252
- D. 329,188 9/1992 Paul D23/252

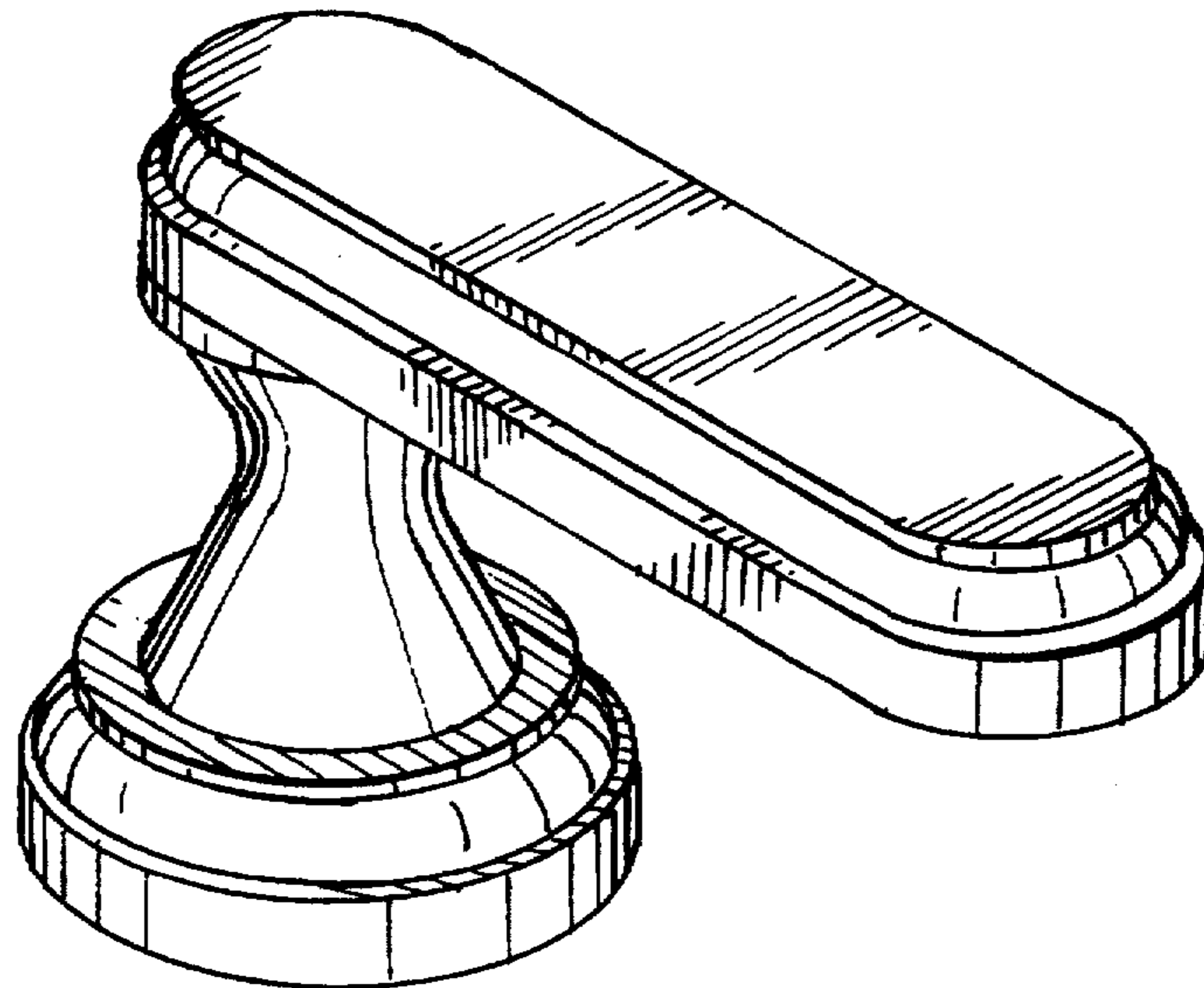
Primary Examiner—James R. Largen
Attorney, Agent, or Firm—Darby & Darby

[57] **CLAIM**

The ornamental design for a faucet handle, as shown and described.

DESCRIPTION

FIG. 1 is a top perspective view of a faucet handle showing my new design;
 FIG. 2 is a top plan view thereof;
 FIG. 3 is a front elevational view thereof, the rear being a mirror image of the front;
 FIG. 4 is a left side elevational view thereof, the right side being a mirror image of the left side; and,
 FIG. 5 is a bottom plan view thereof.



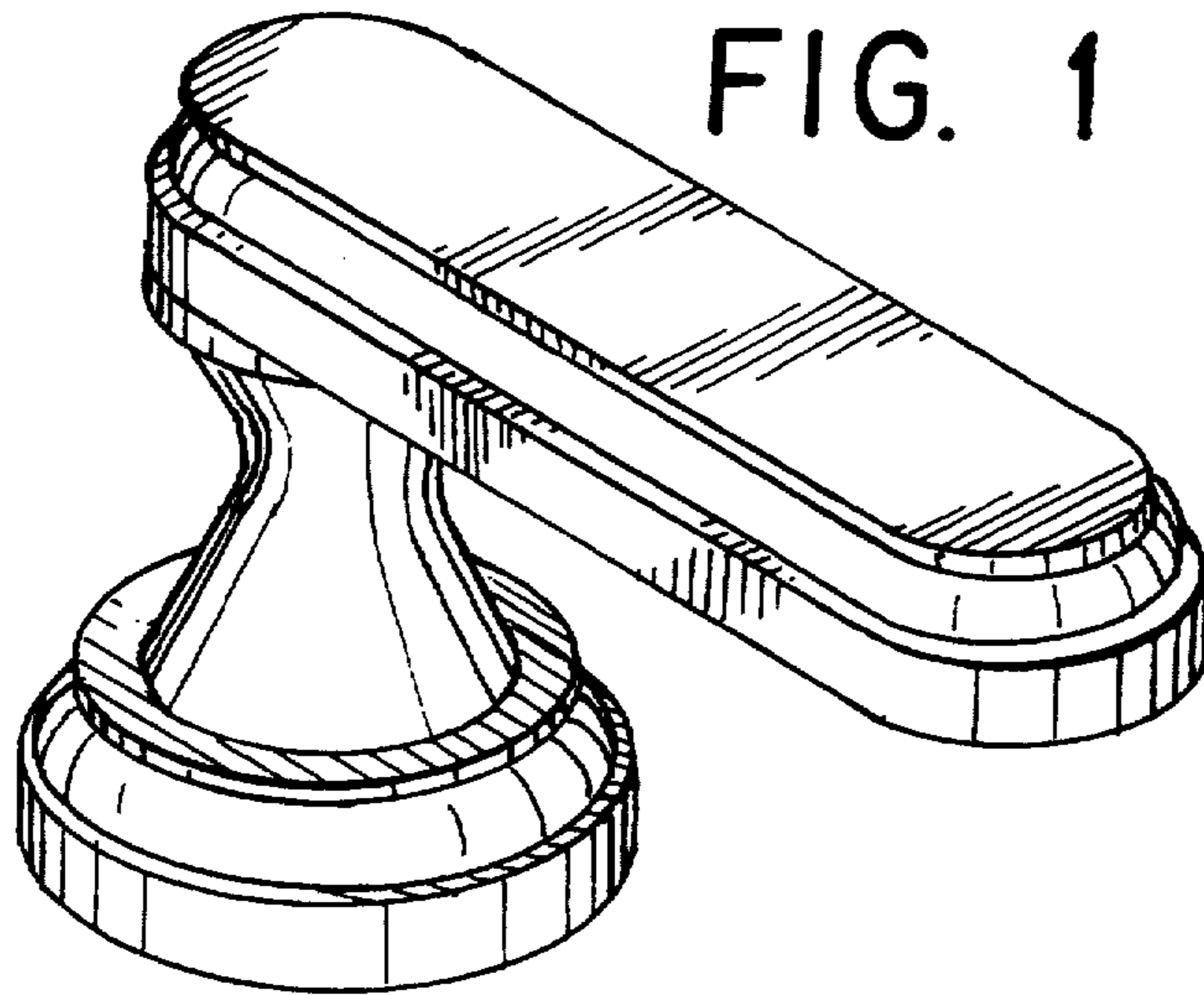


FIG. 1

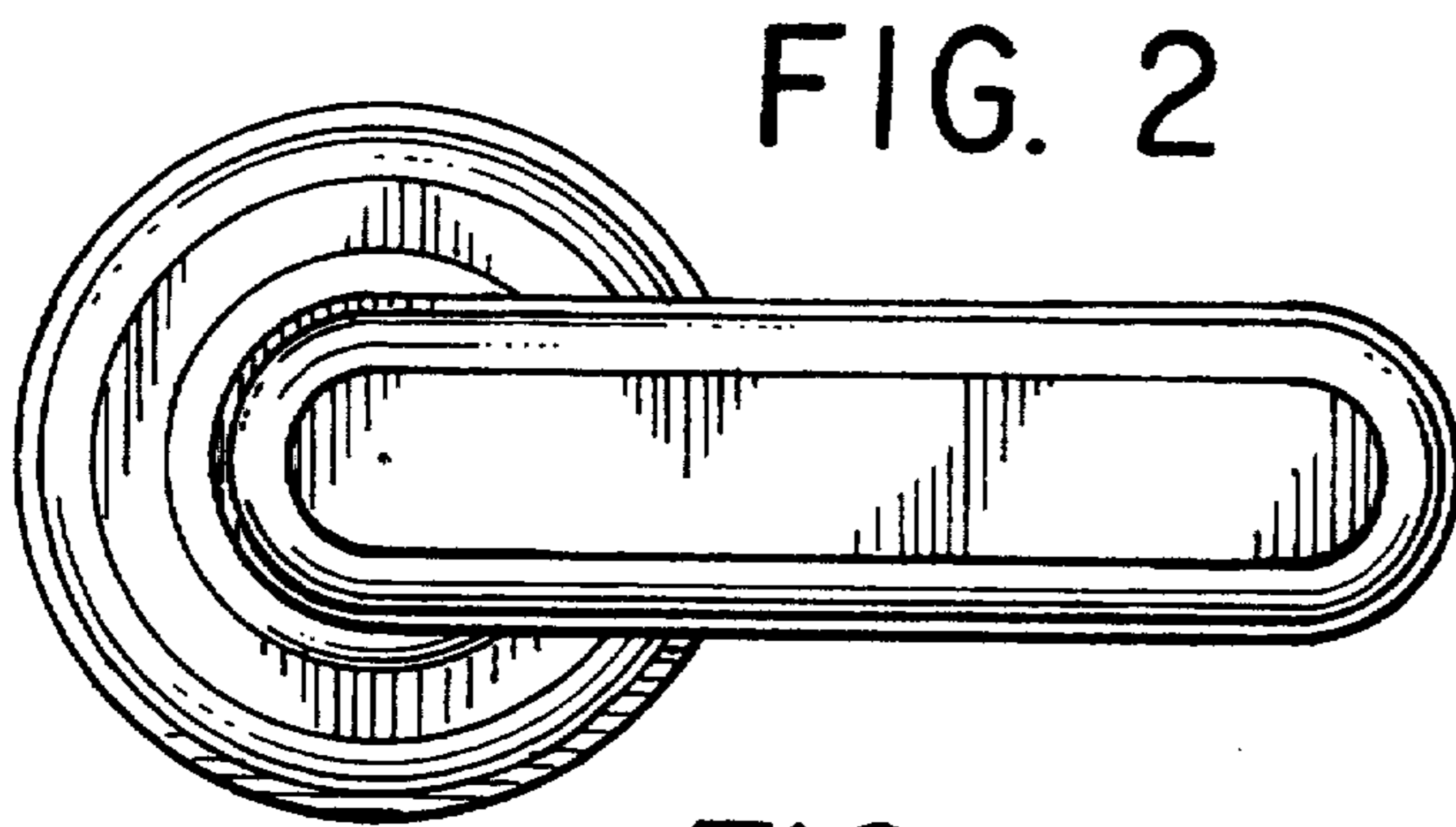


FIG. 2

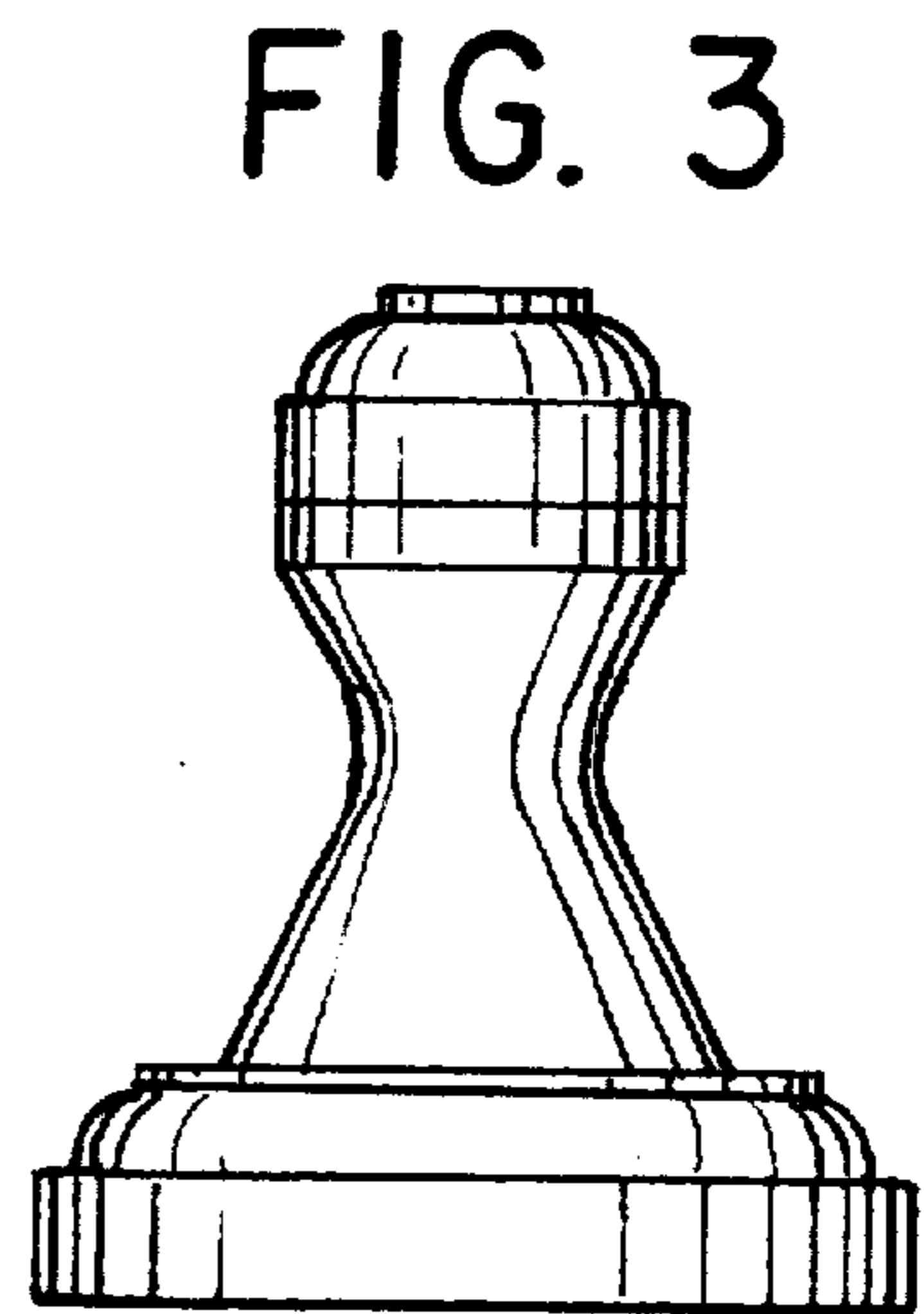


FIG. 3

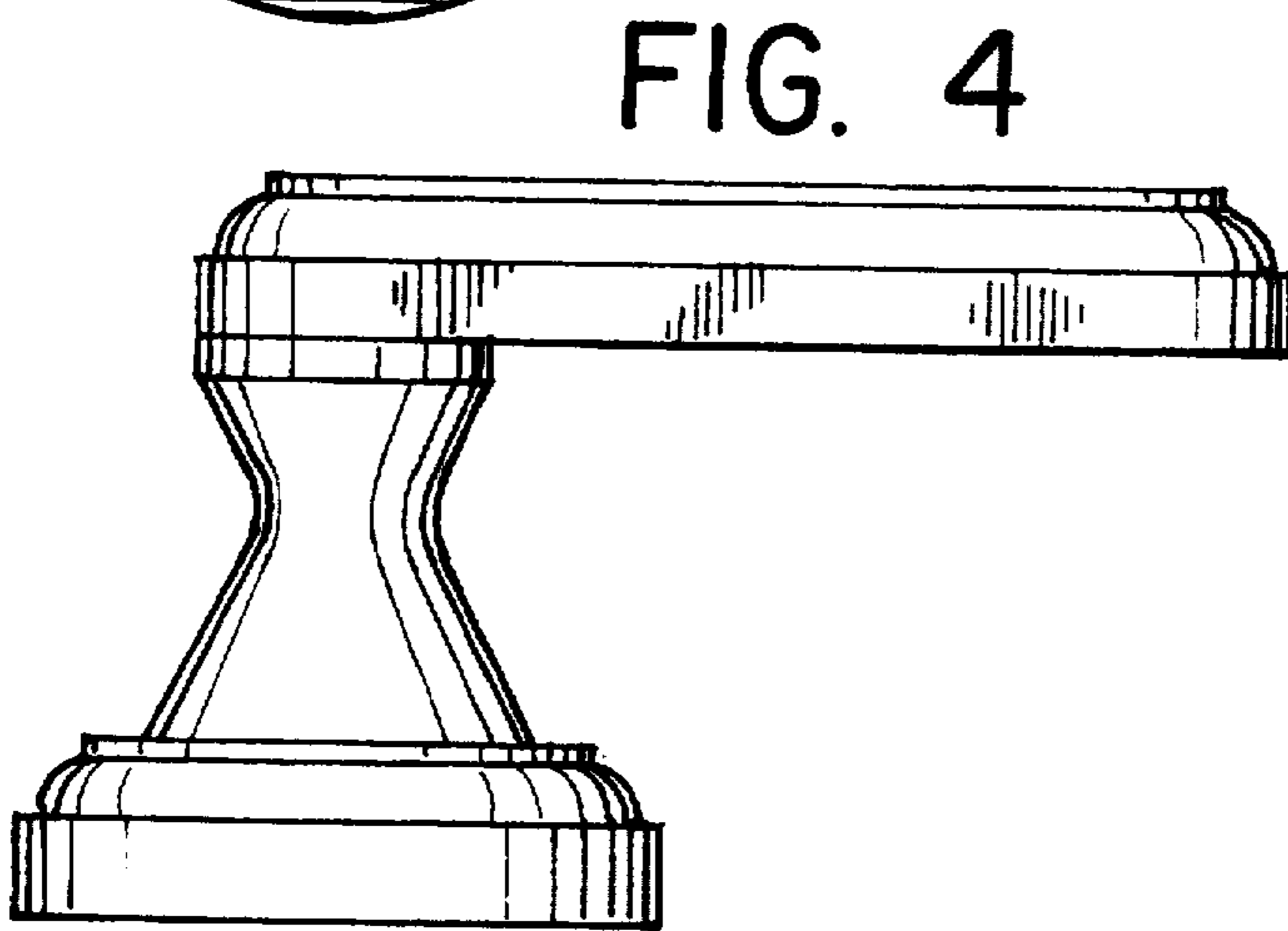


FIG. 4

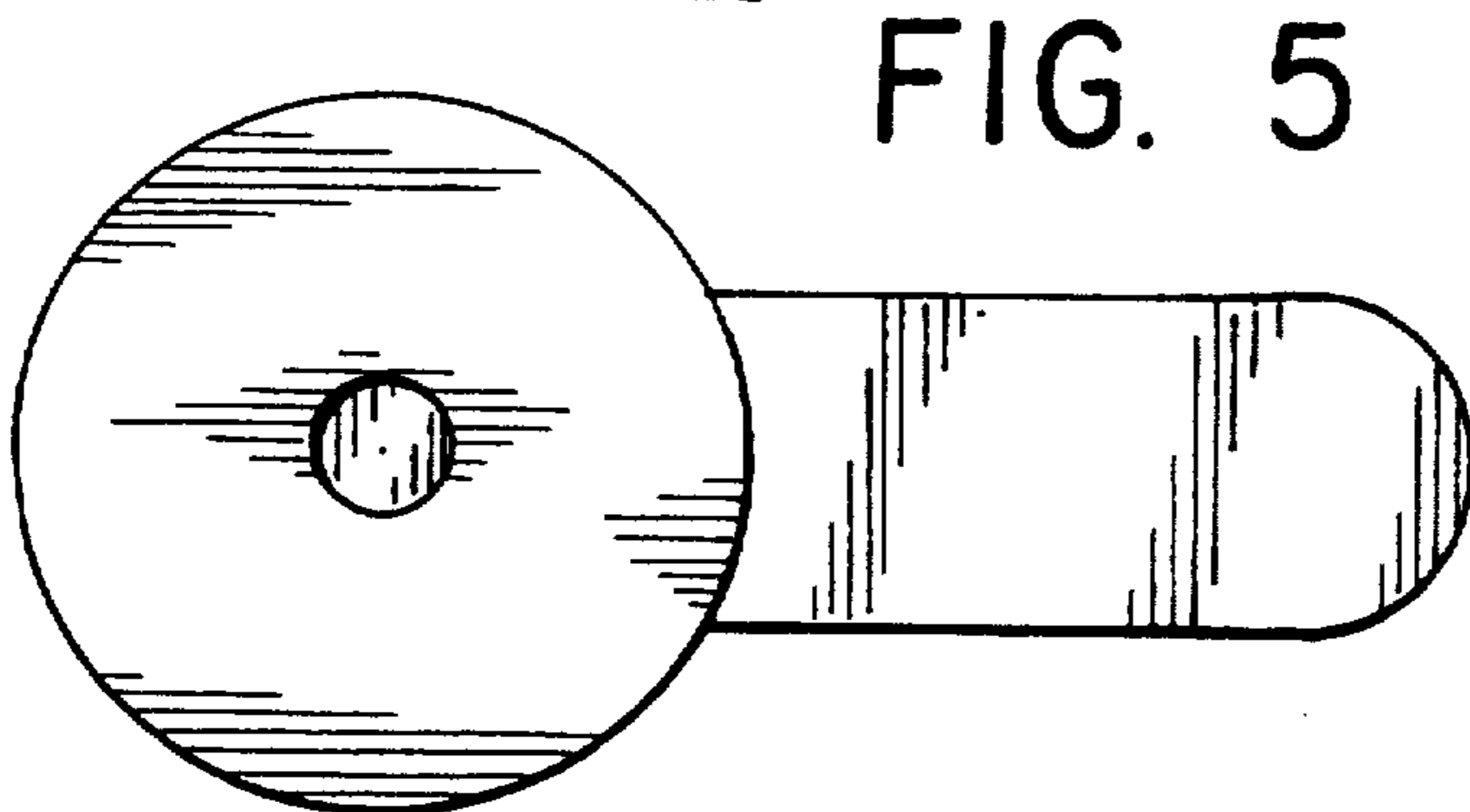


FIG. 5