



US00D351455S

United States Patent [19]
Paul

[11] **Patent Number: Des. 351,455**

[45] **Date of Patent: ** Oct. 11, 1994**

[54] **FAUCET HANDLE**

[76] **Inventor: Stanley M. Paul, 214 Bedford Rd.,
Greenwich, Conn. 06831**

[**] **Term: 14 Years**

[21] **Appl. No.: 4,945**

[22] **Filed: Feb. 17, 1993**

[52] **U.S. Cl. D23/252**

[58] **Field of Search D8/300, 307-312;
16/110 R, 118, 121; 4/675-678; D23/238-243,
250-254**

[56] **References Cited**

U.S. PATENT DOCUMENTS

- D. 74,624 3/1928 Roberts D8/308
- D. 81,026 4/1930 Schnell D8/308
- D. 108,067 1/1938 Clemmons D23/252
- D. 265,229 6/1982 Paul D23/242

- D. 297,758 9/1988 Paul D23/252
- D. 298,411 11/1988 Castiglioni D8/308 X
- D. 302,202 7/1989 Paul D23/252
- D. 320,434 10/1991 Rawald D23/252

Primary Examiner—James R. Largen
Attorney, Agent, or Firm—Darby & Darby

[57] **CLAIM**

The ornamental design for a faucet handle, as shown and described.

DESCRIPTION

FIG. 1 is a top perspective view of a faucet handle showing my new design;
 FIG. 2 is a top plan view thereof;
 FIG. 3 is a front elevational view thereof, the rear being a mirror image of the front;
 FIG. 4 is a left side elevational view thereof;
 FIG. 5 is a right side elevational view thereof; and,
 FIG. 6 is a bottom plan view thereof.

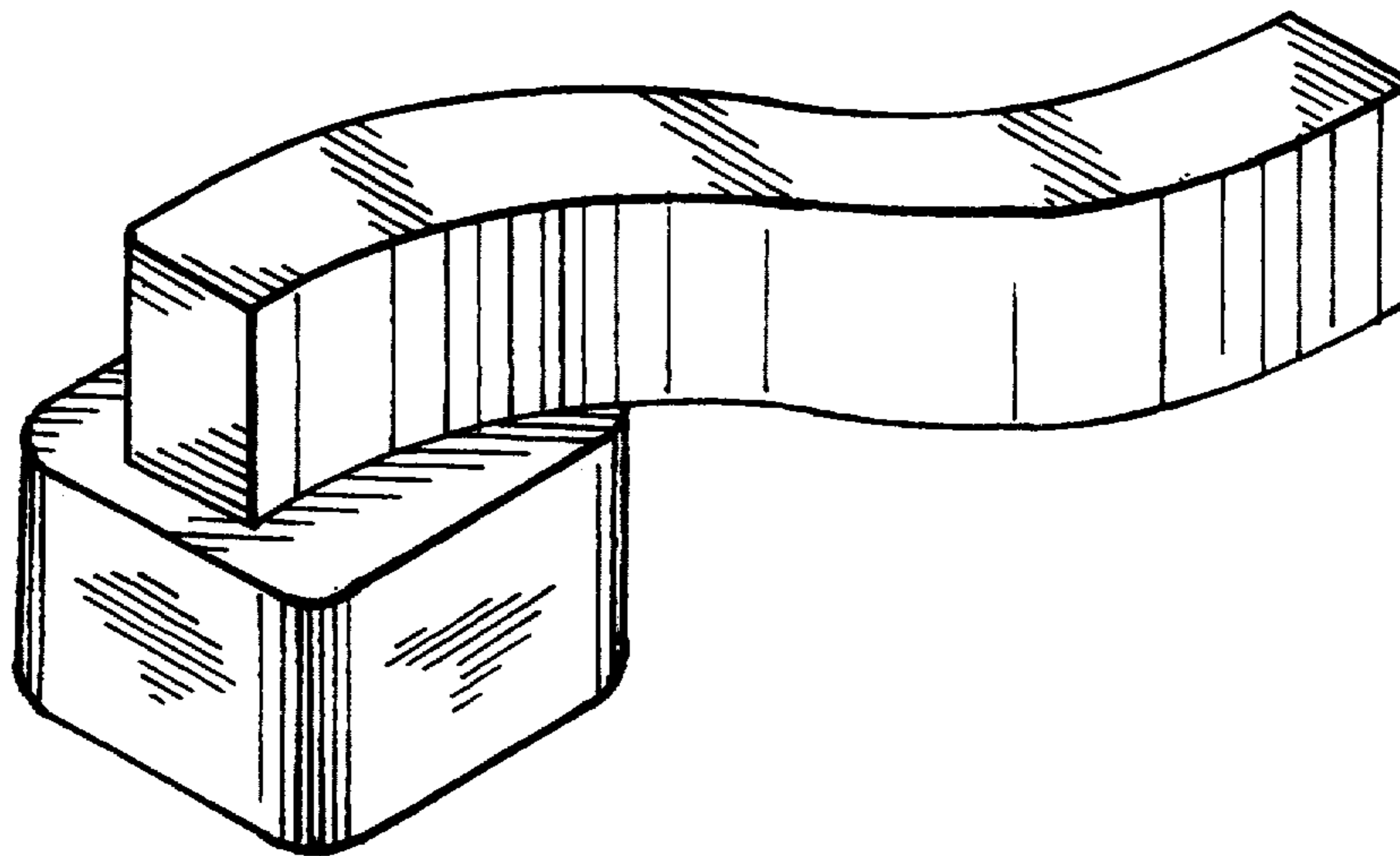


FIG. 1

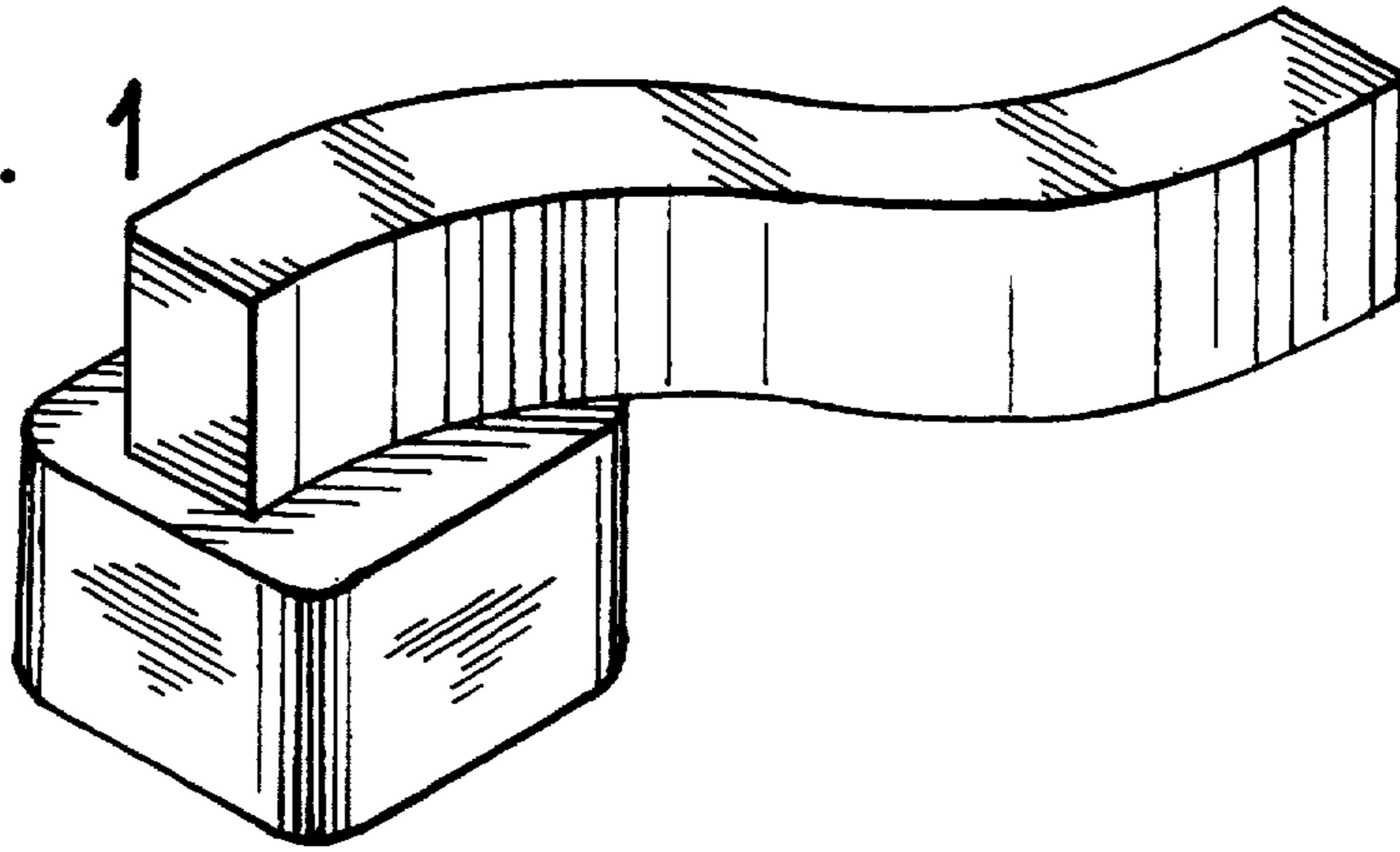


FIG. 2

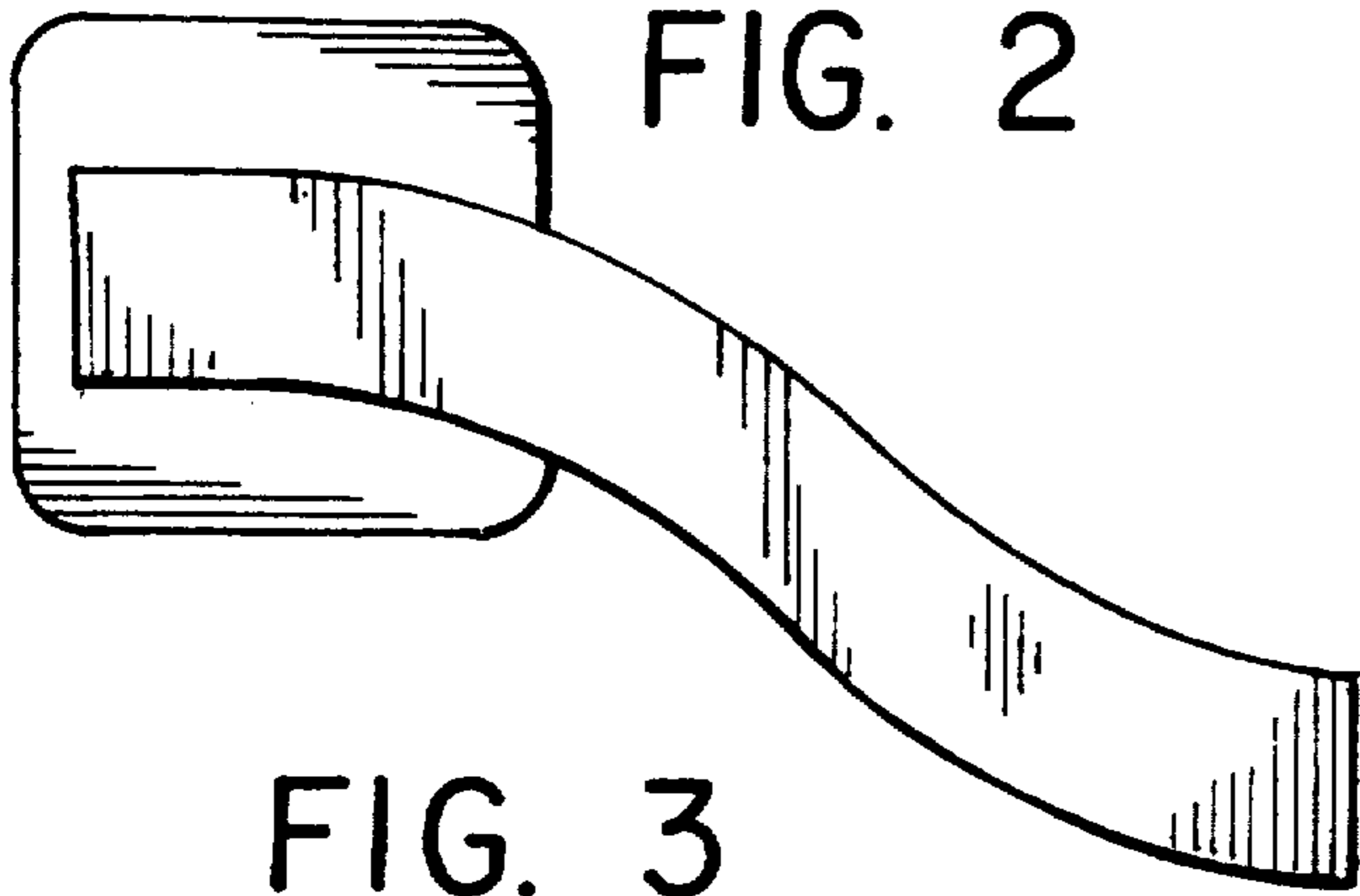


FIG. 3

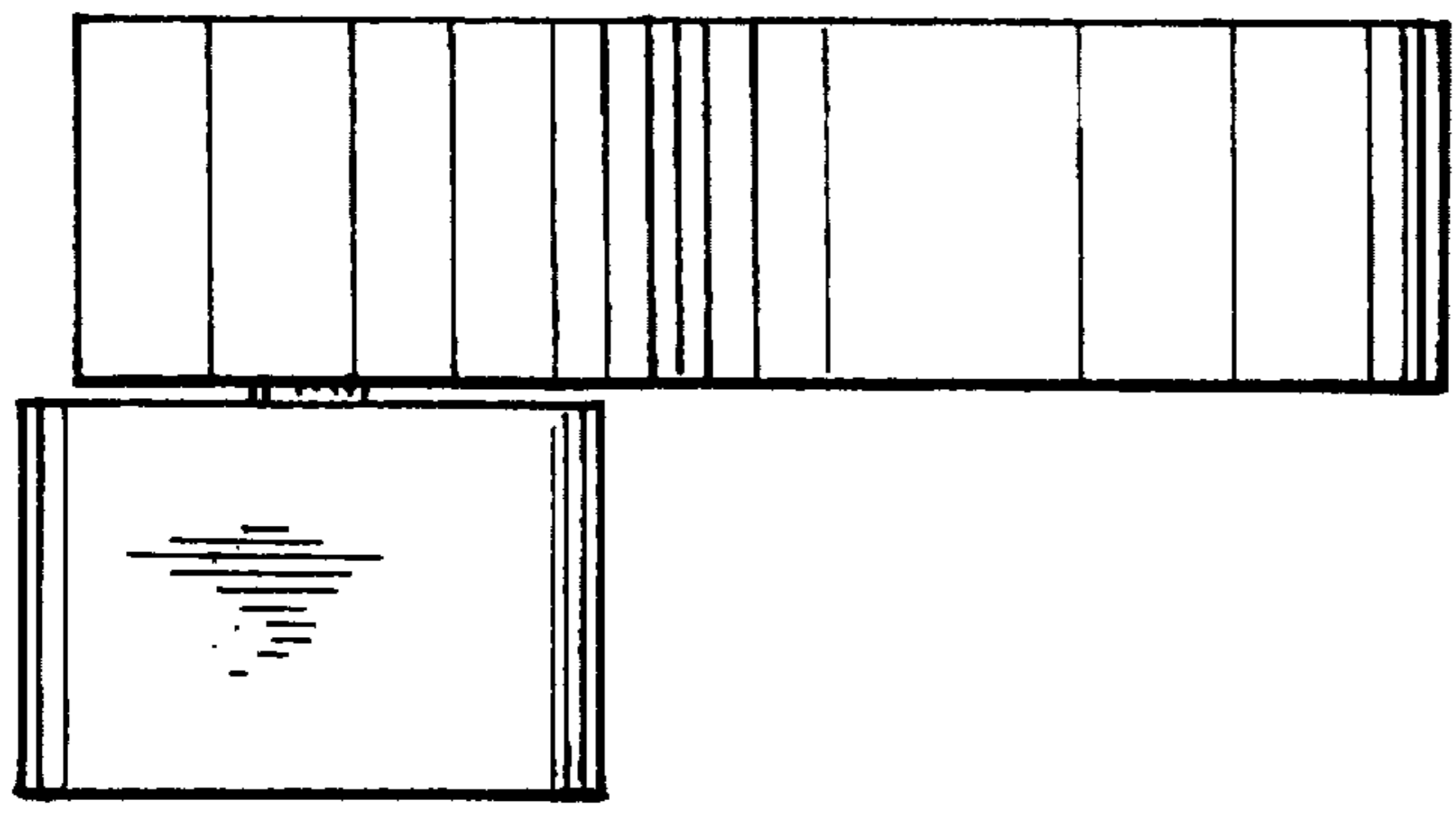


FIG. 6

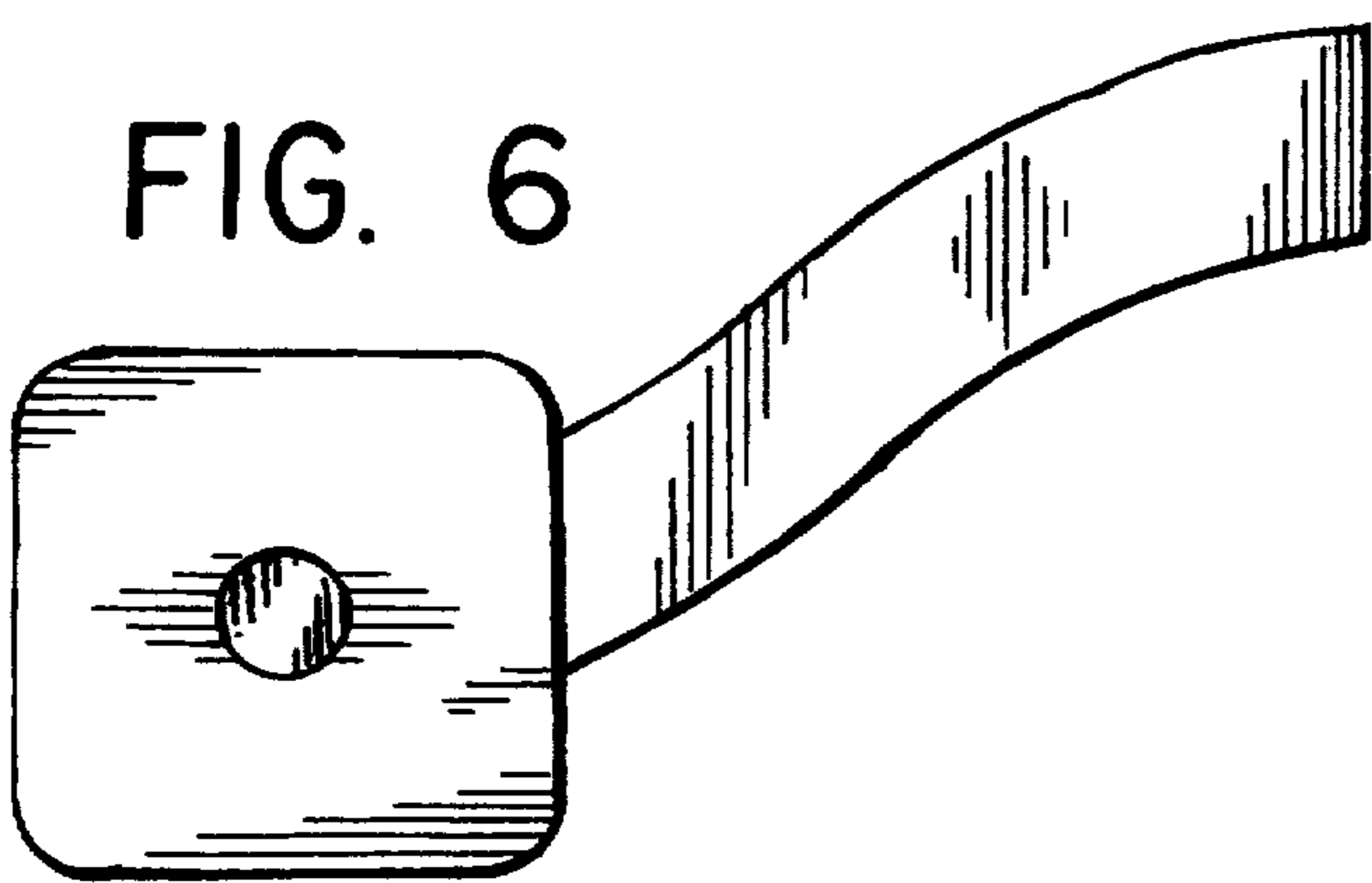


FIG. 4

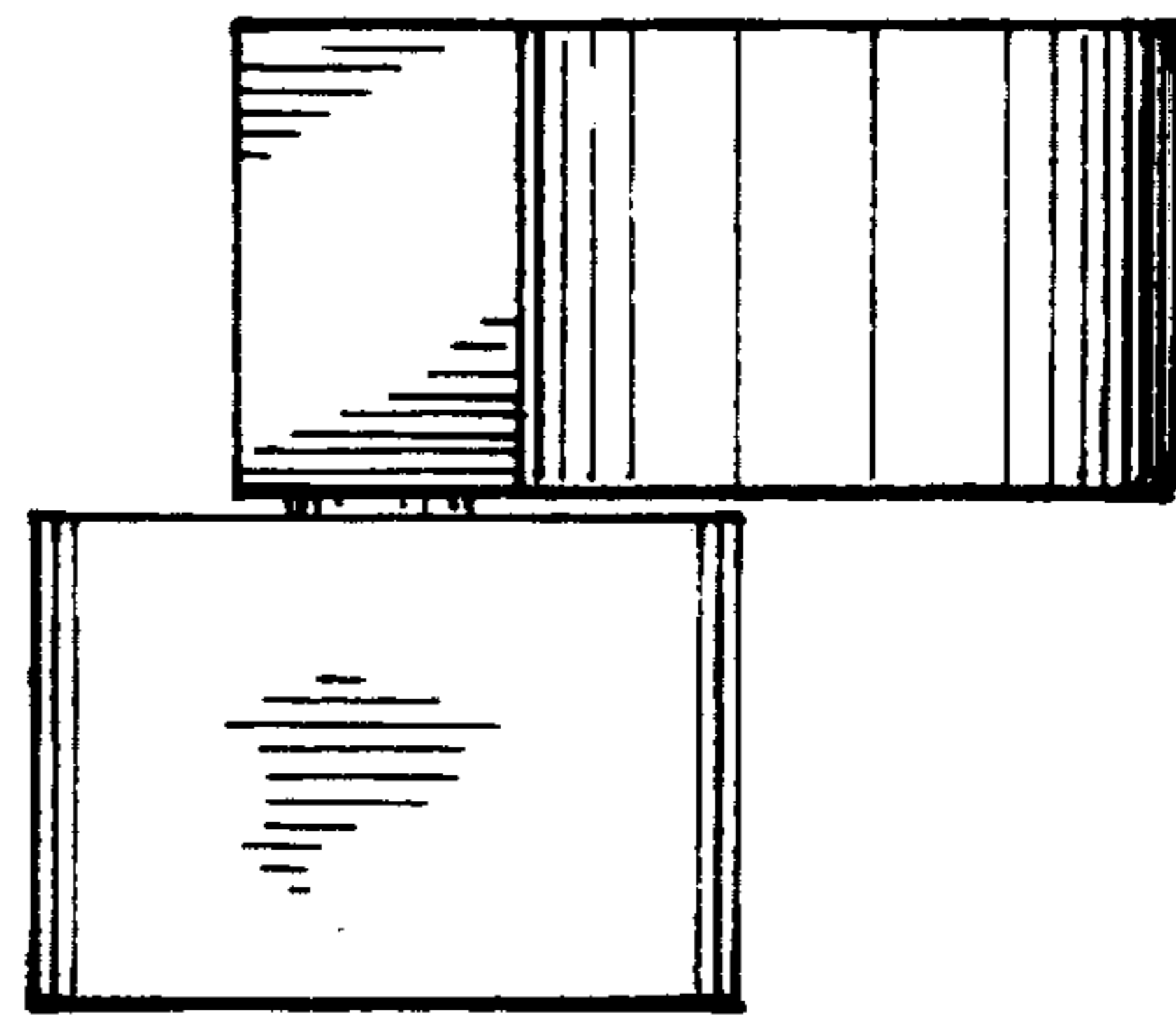


FIG. 5

