



US00D351449S

United States Patent [19]

[11] Patent Number: Des. 351,449

Dagley

[45] Date of Patent: ** Oct. 11, 1994

[54] REAR SIGHT FOR PISTOL

[76] Inventor: Morris K. Dagley, 206 Frontage Rd., Ste. C, Pacific, Wash. 98047

[**] Term: 14 Years

[21] Appl. No.: 16,067

[22] Filed: Dec. 6, 1993

[52] U.S. Cl. D22/109

[58] Field of Search 33/233, 241, 243, 252-261; D22/109, 110

[56] References Cited

U.S. PATENT DOCUMENTS

D. 247,856	5/1978	Korzeniewski	D22/109
D. 296,227	6/1988	Novak	D22/109
D. 301,512	6/1989	Novak	D22/109
D. 305,146	12/1989	Novak	D22/109
D. 305,561	1/1990	Novak	D22/109
D. 315,776	3/1991	Novak	D22/109
3,495,339	2/1970	Elliason	33/257
3,777,380	12/1973	Theodore	42/1 S
3,834,035	9/1974	Merrill	33/251
4,628,611	12/1986	Ruffino	33/254

FOREIGN PATENT DOCUMENTS

571027 8/1945 United Kingdom 22/109

Primary Examiner—A. Hugo Word
Assistant Examiner—Doris V. Coles
Attorney, Agent, or Firm—Keith S. Bergman

[57] CLAIM

The ornamental design for rear sight for pistol, as shown and described.

DESCRIPTION

FIG. 1 is a perspective view of rear sight for pistol incorporating the features of my design, the broken lines showing the rear portion of the slide of an automatic pistol for illustrative purposes only and forming no part of the design;
FIG. 2 is an isometric view of the sight of FIG. 1;
FIG. 3 is a plan view of the sight of FIG. 2;
FIG. 4 is a left side view of the sight of FIG. 2;
FIG. 5 is a right side view of the sight of FIG. 2;
FIG. 6 is a rear view of the sight of FIG. 2;
FIG. 7 is a front view of the sight of FIG. 2; and
FIG. 8 is a bottom view of the sight of FIG. 2.

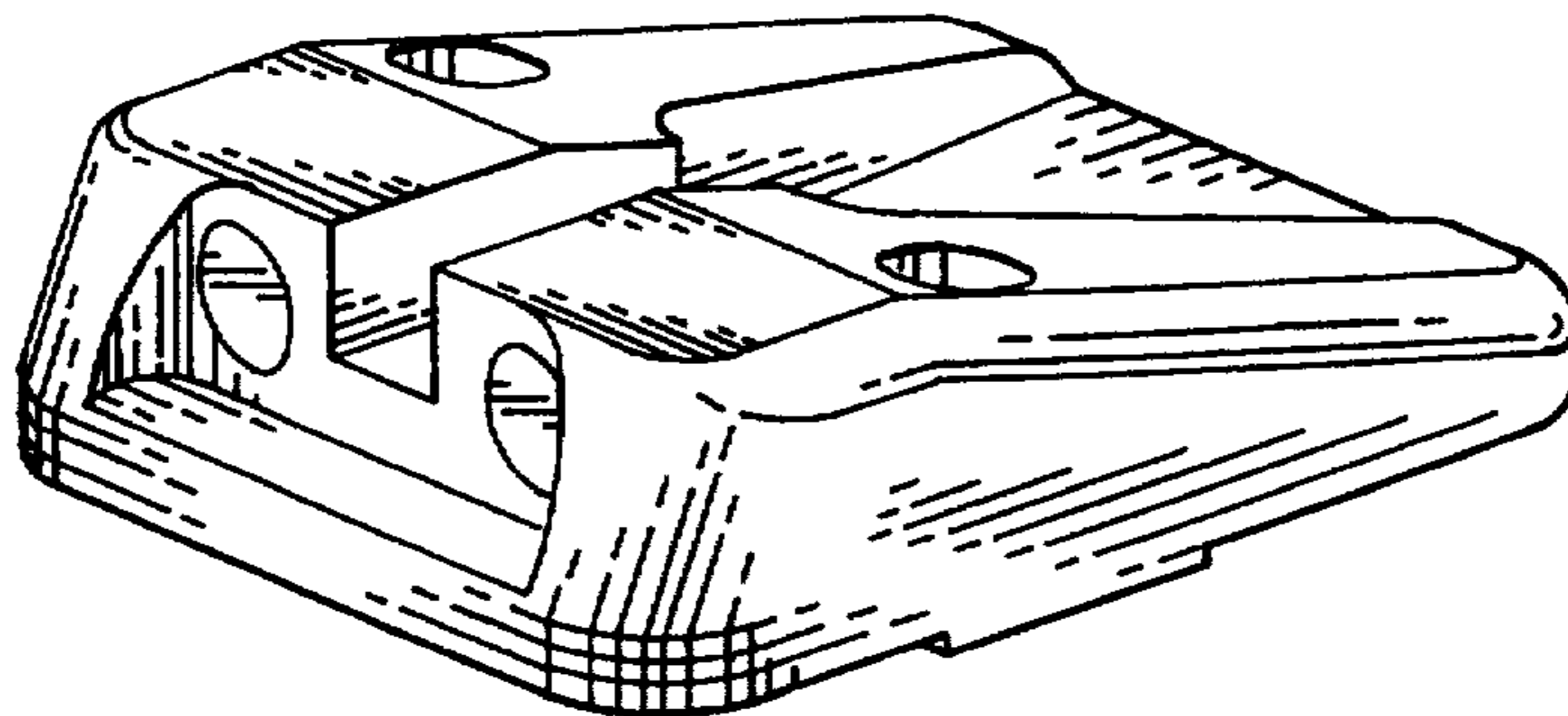


FIG. 1

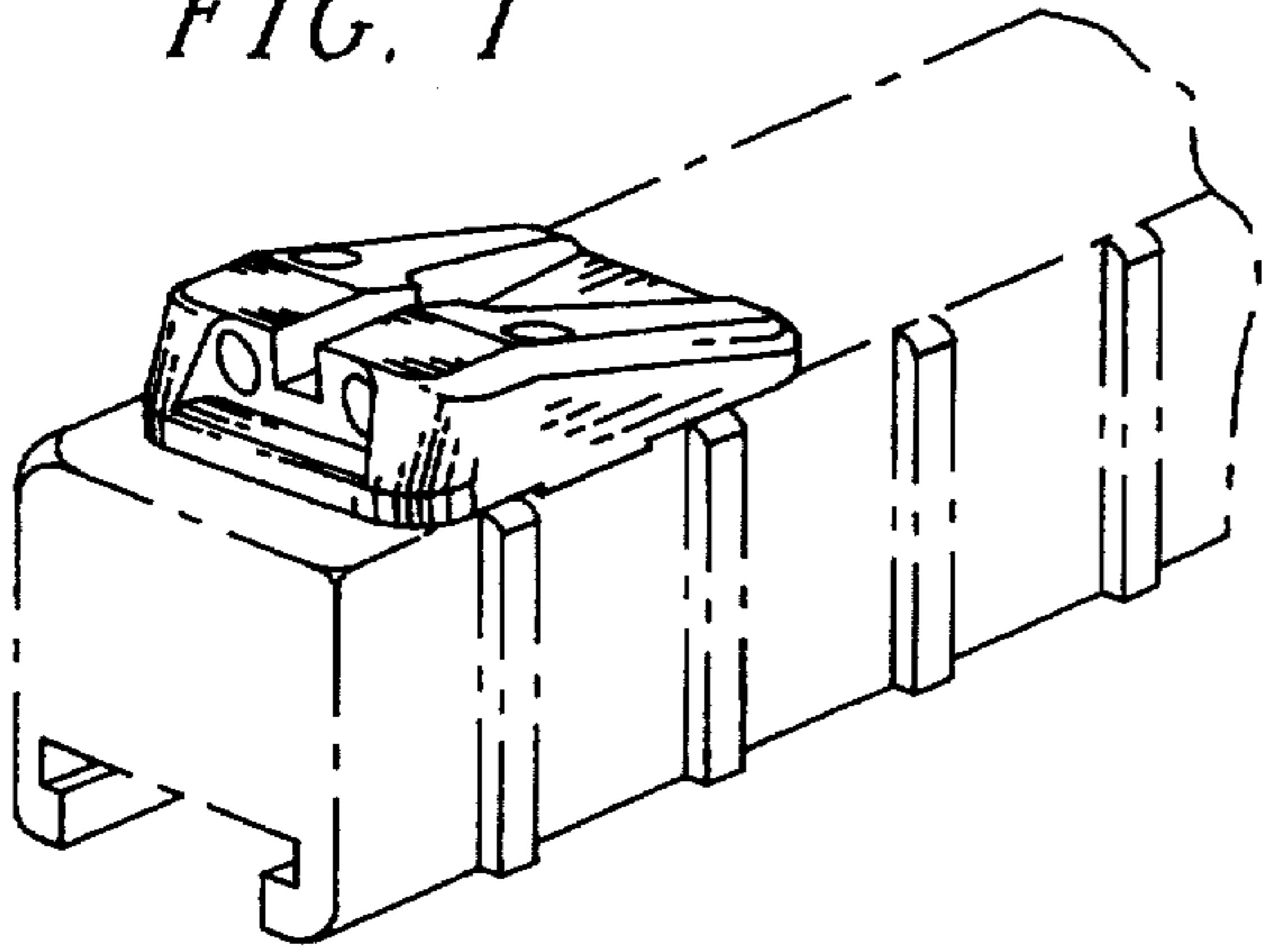


FIG. 8

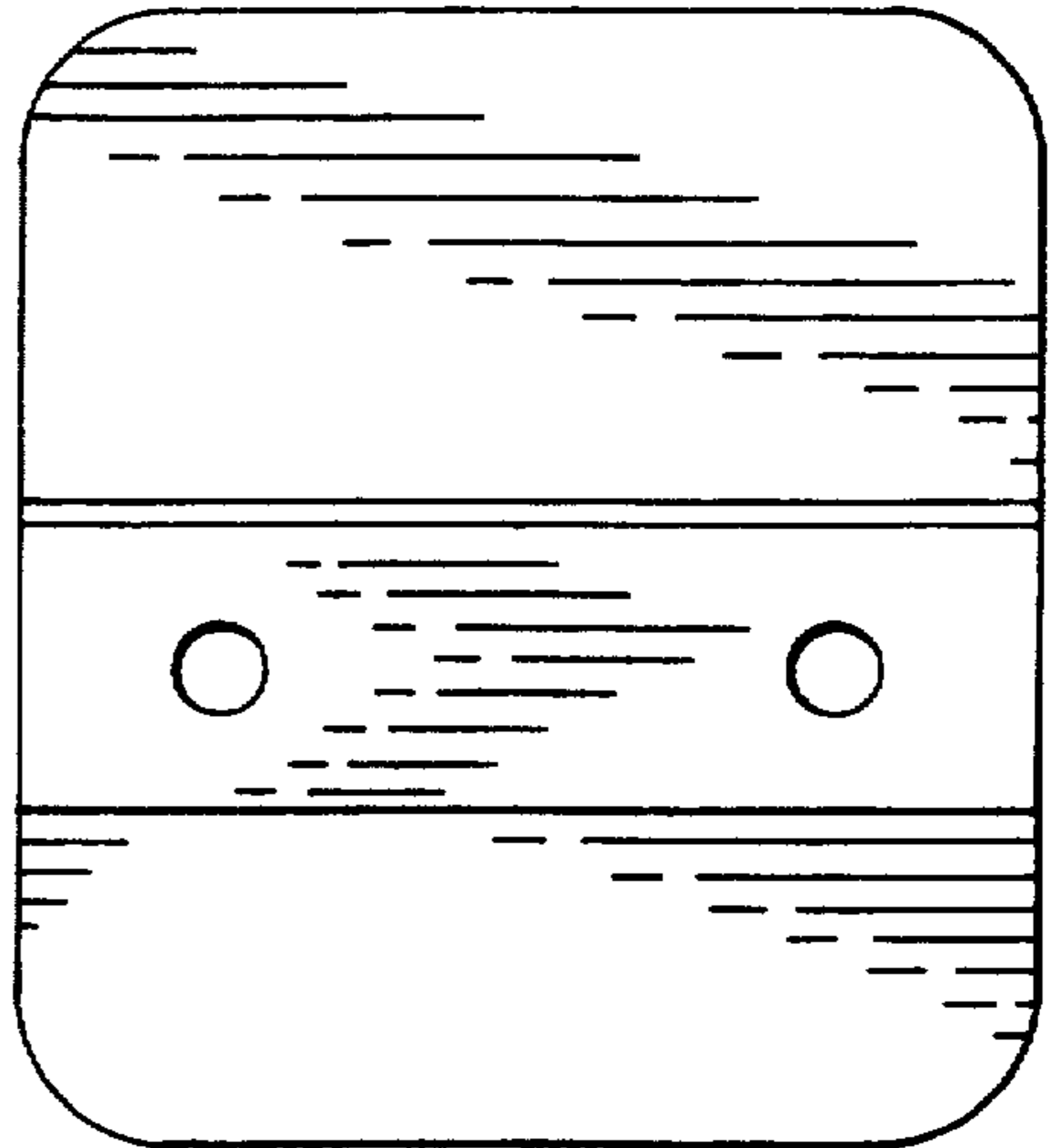


FIG. 2

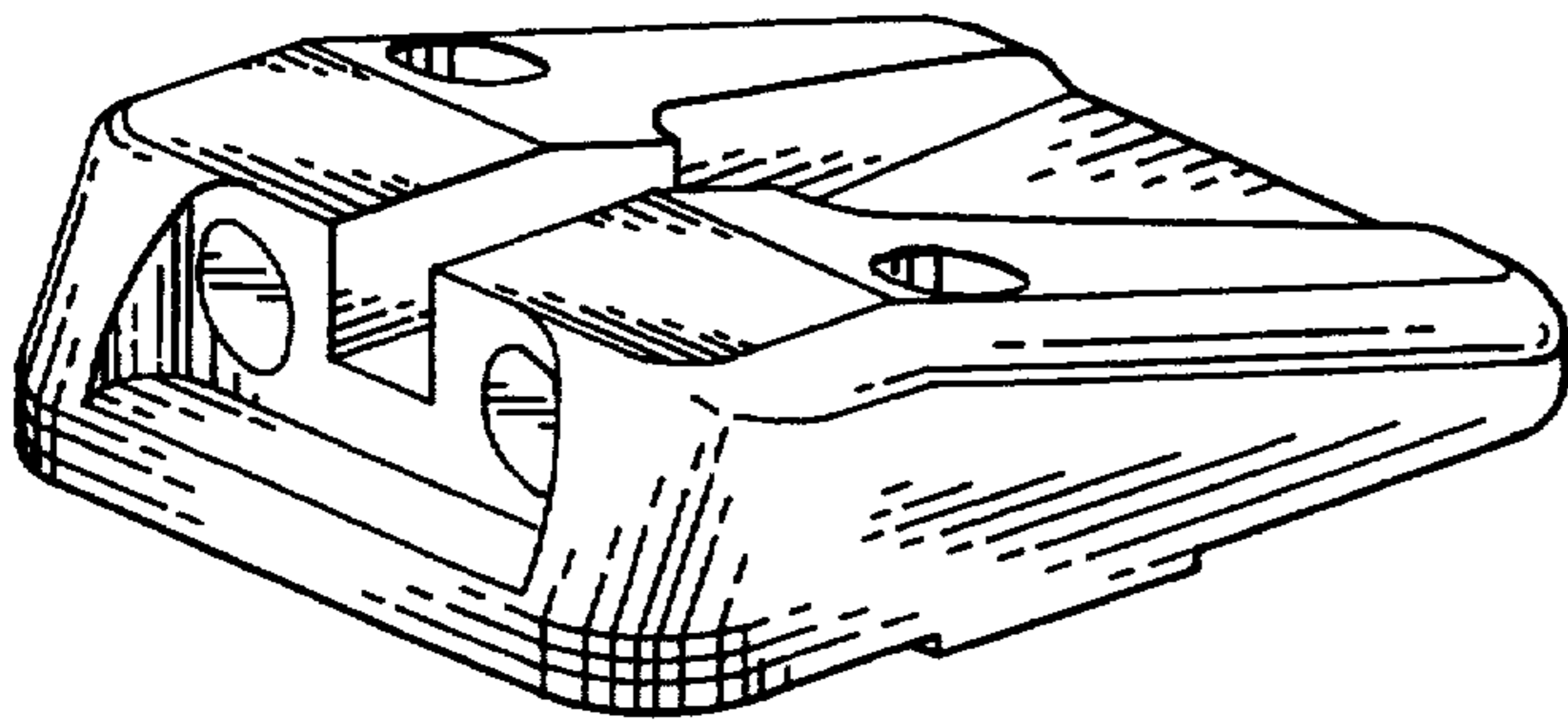


FIG. 4

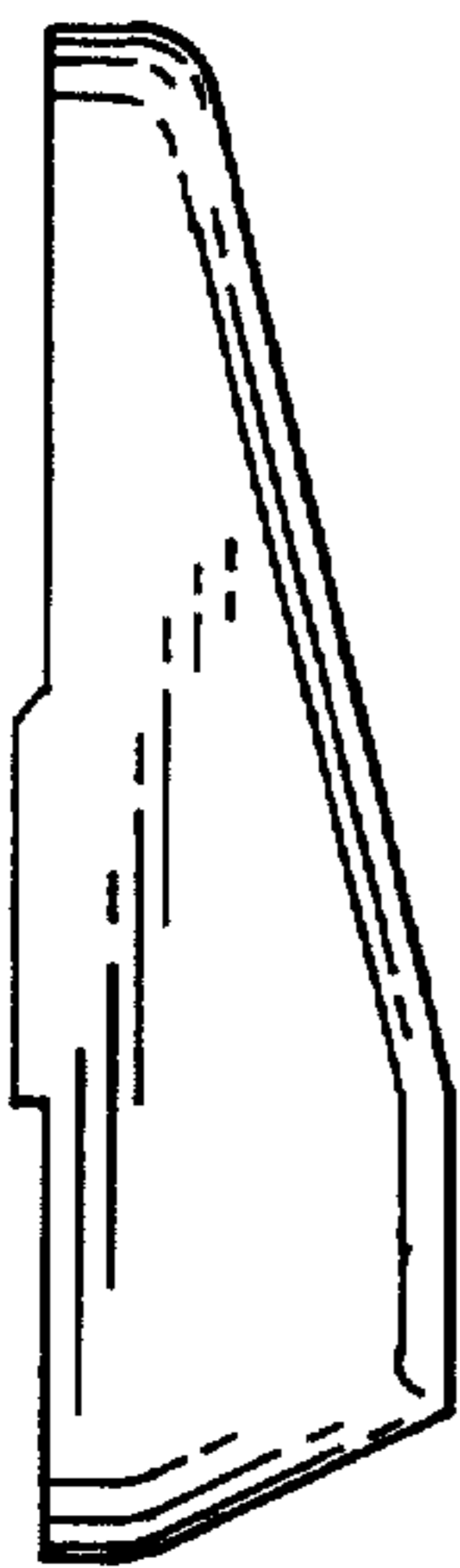


FIG. 5



FIG. 3

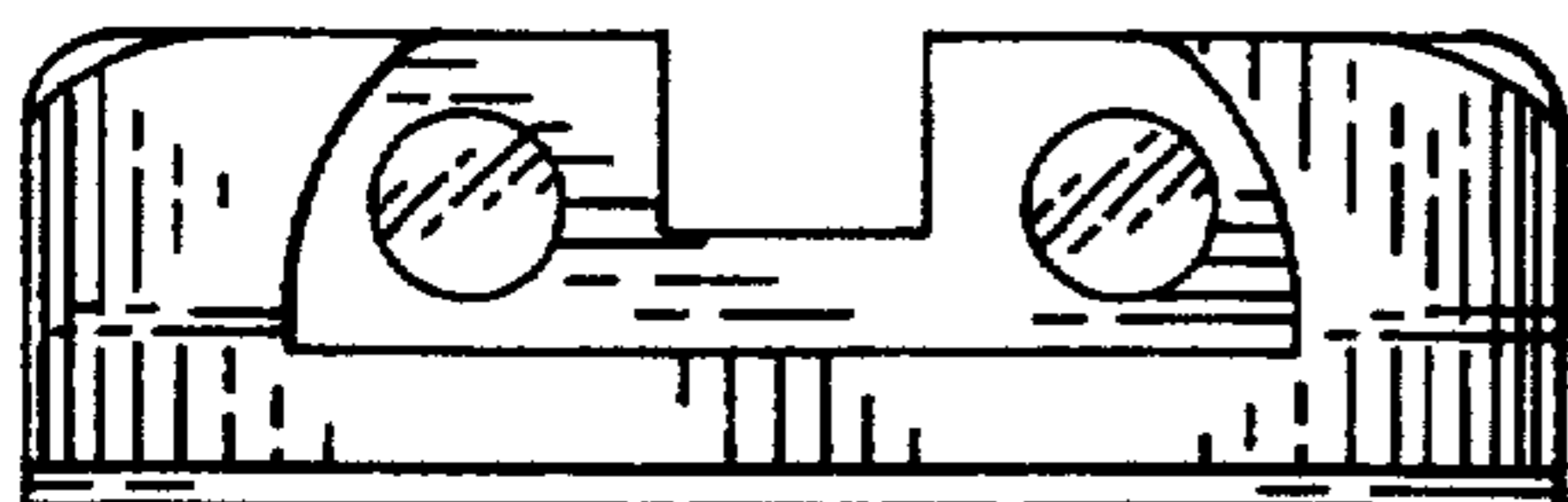
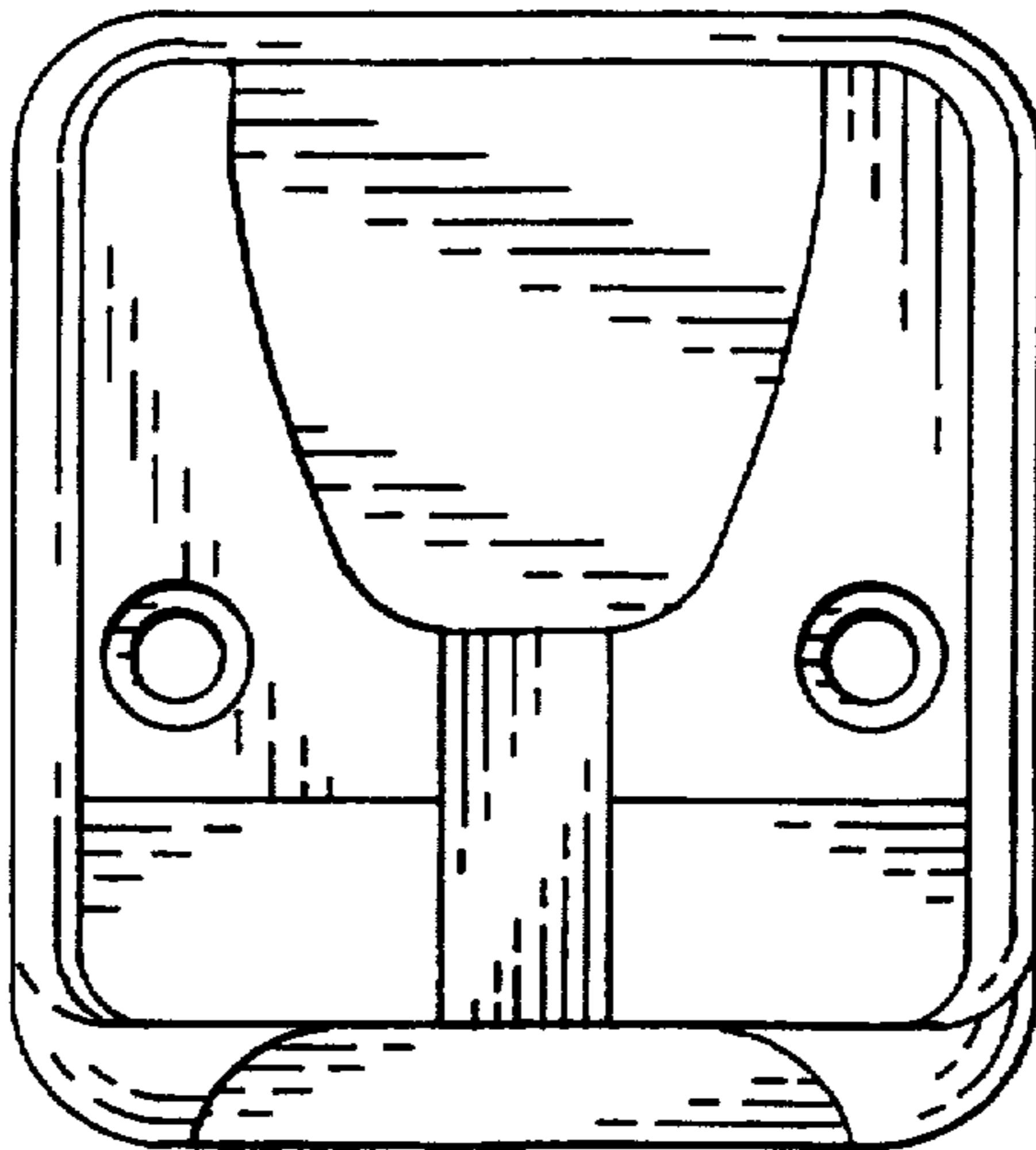


FIG. 6

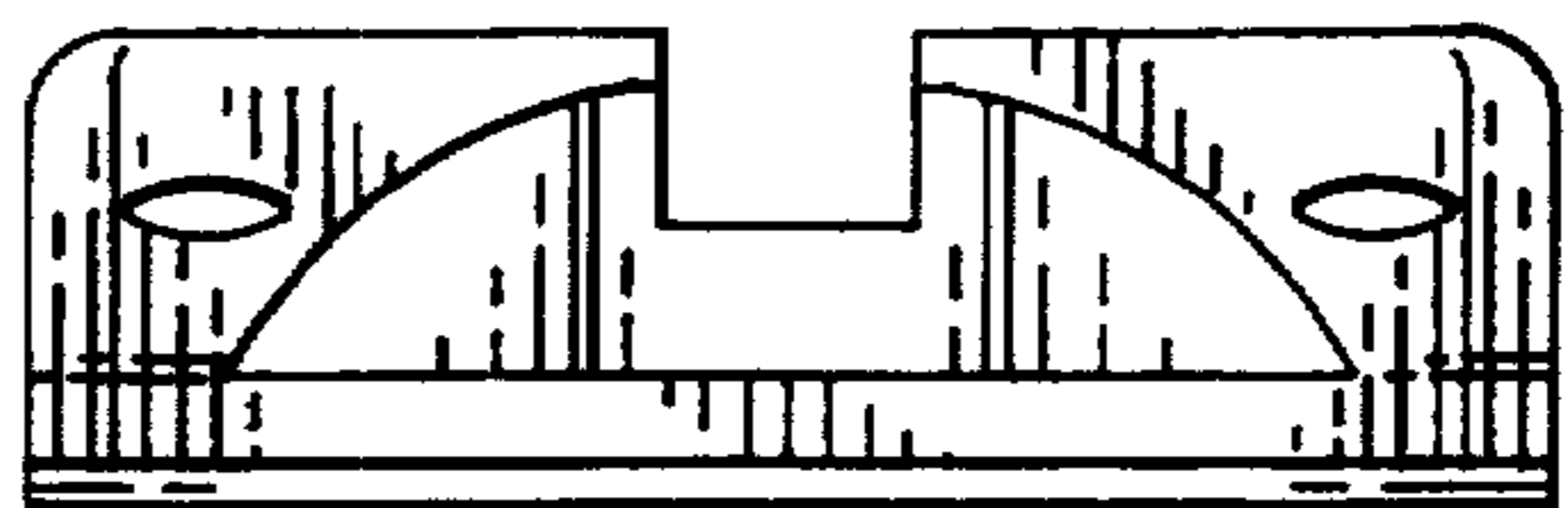


FIG. 7