



US00D351446S

# United States Patent [19]

[11] Patent Number: **Des. 351,446**

Niedworok

[45] Date of Patent: **\*\* Oct. 11, 1994**

[54] **GOLF STANCE ALIGNMENT AID**

[76] Inventor: **Hans J. F. Niedworok**, 801 Kirk Maiden Ave., Sanford, N.C. 27330

[\*\*] Term: **14 Years**

[21] Appl. No.: **12,858**

[22] Filed: **Sep. 13, 1993**

[52] U.S. Cl. .... **D21/234**

[58] Field of Search ..... 273/187 A, 187 B, 187 R, 273/188 A, 188 R, 191 A, 191 R, 163 R, 192, 187.6, 183.1, 186.1; D21/234, 8

3,857,570 12/1974 Gutierrez et al. .... 273/186  
 3,942,802 3/1976 Wright ..... 273/186  
 4,032,157 6/1977 Carpenter ..... 273/183  
 4,796,892 1/1989 Doerrfeld ..... 273/183  
 5,211,400 5/1993 Hall et al. .... 273/187.6

*Primary Examiner*—Melvin B. Feifer  
*Assistant Examiner*—Cheri Cohen

[57] **CLAIM**

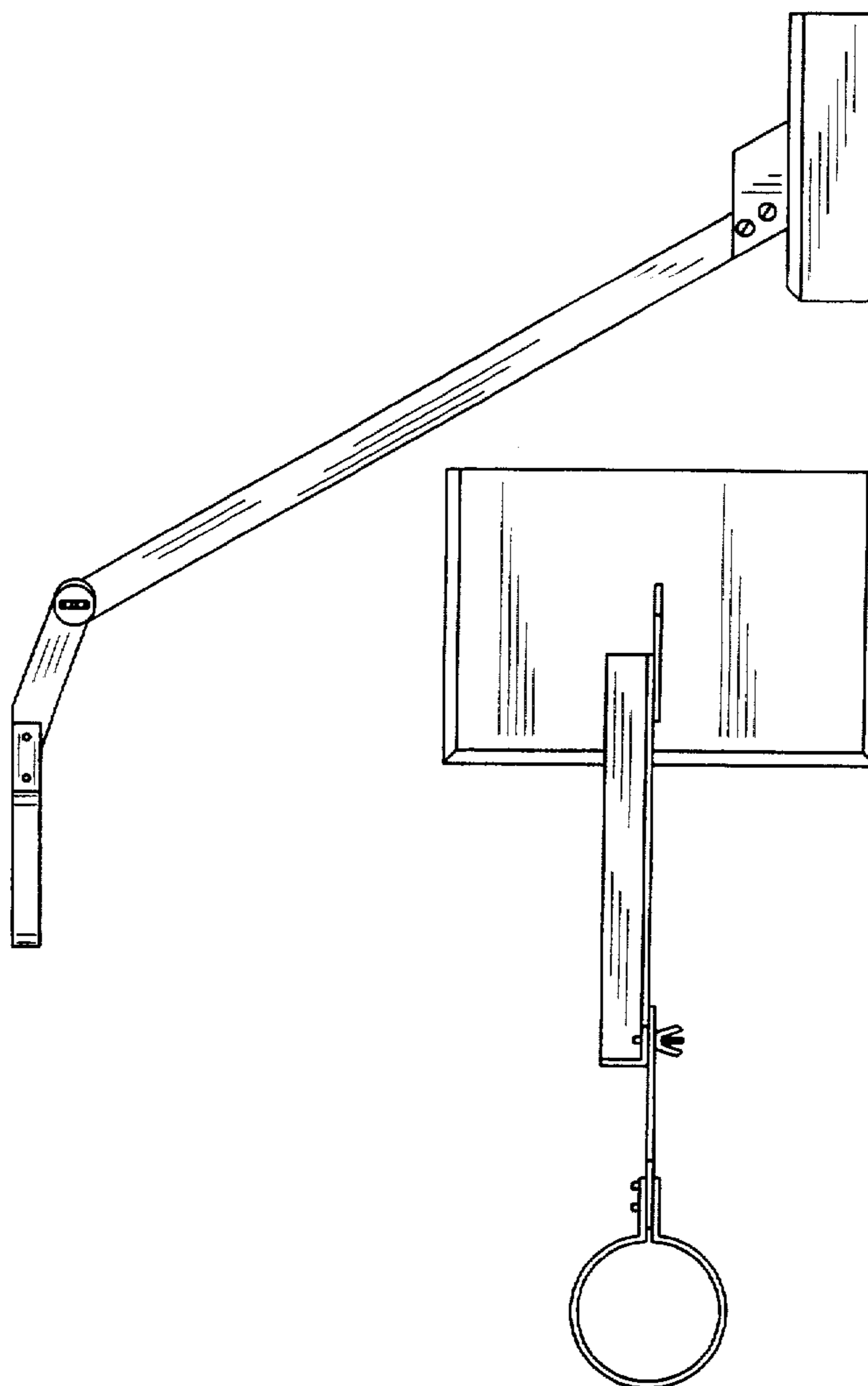
The ornamental design for a golf stance alignment aid, as shown and described.

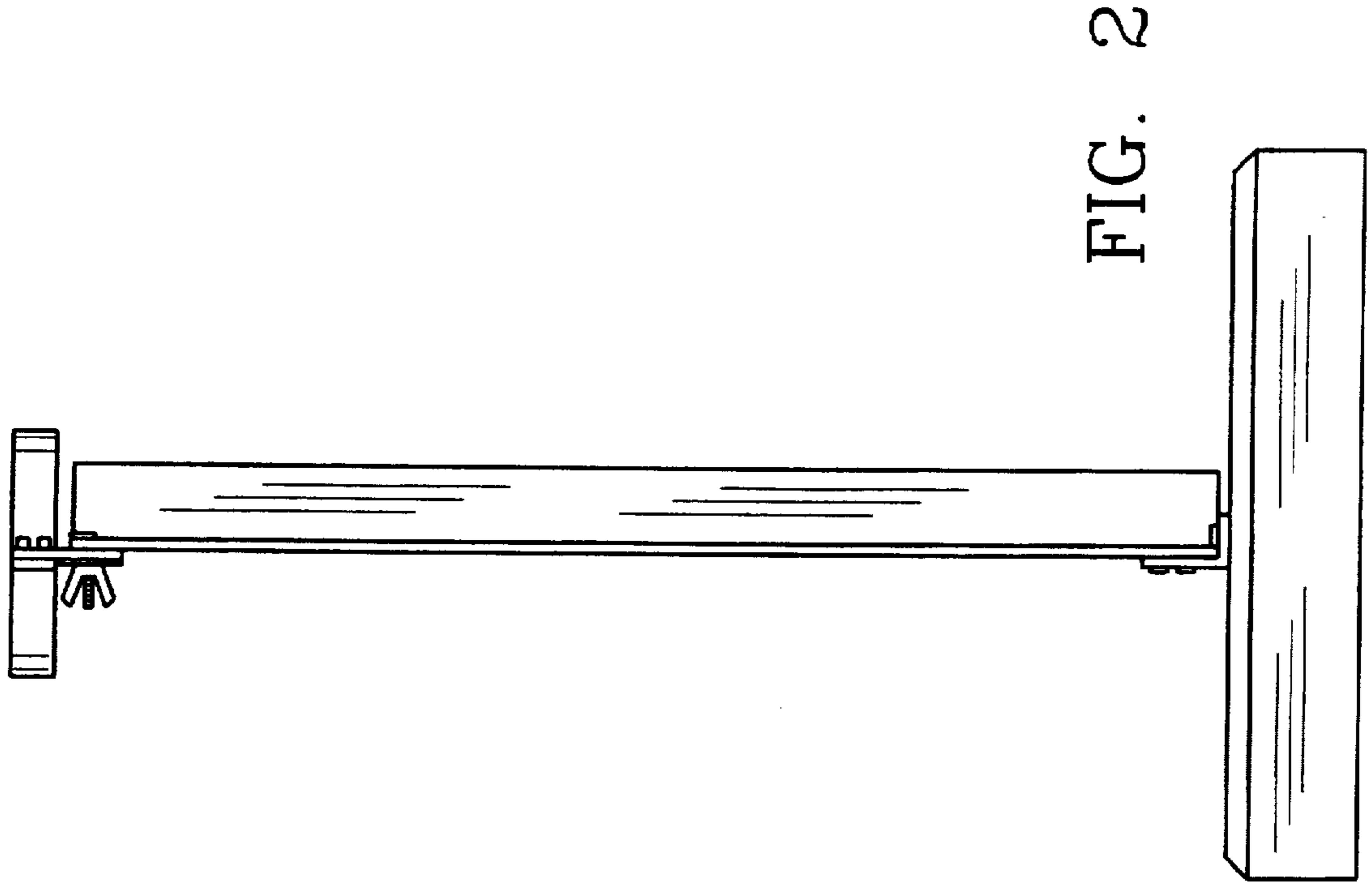
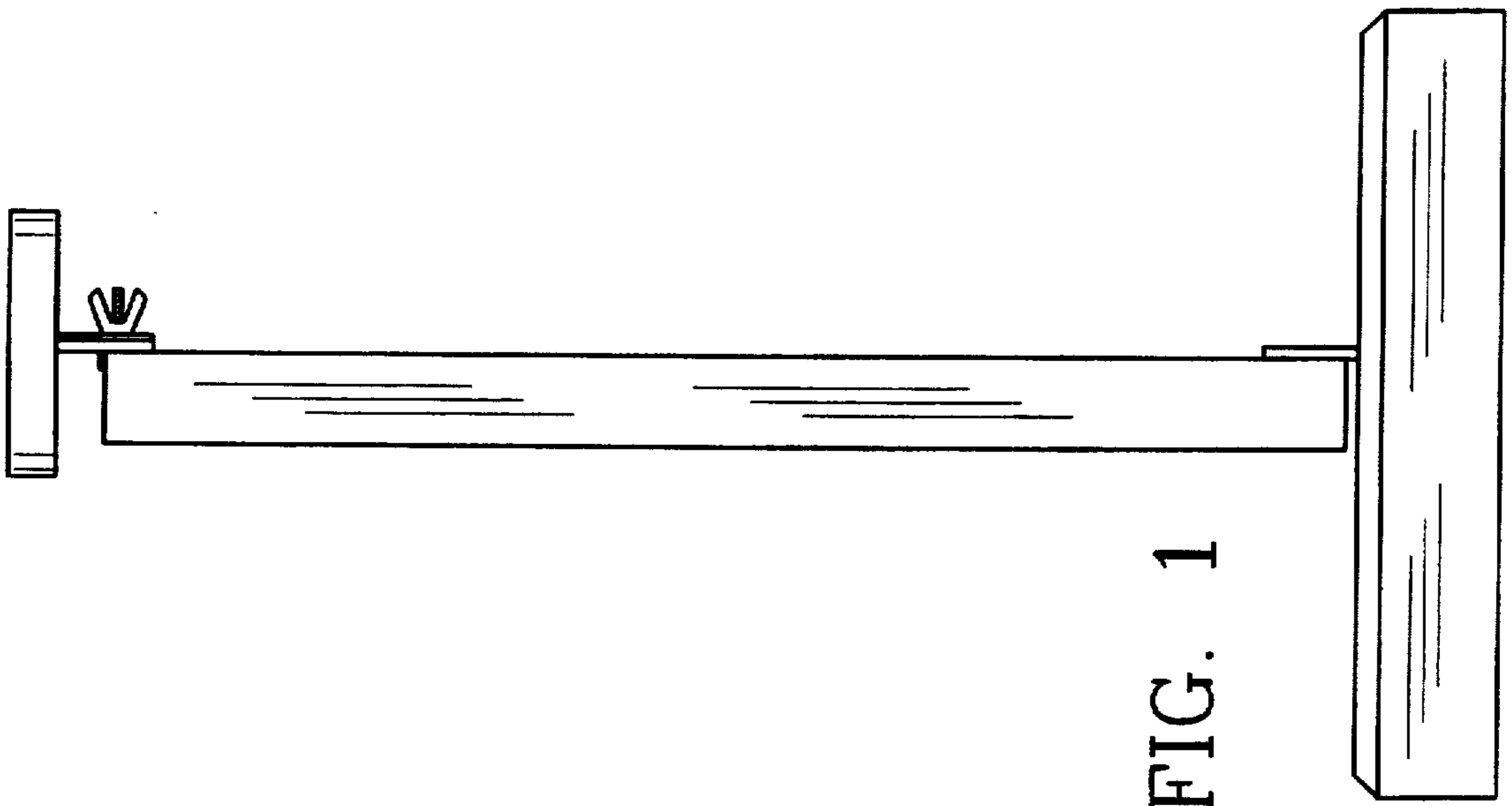
**DESCRIPTION**

FIG. 1 is a front elevational view of the golf stance alignment aid embodying my design;  
 FIG. 2 is a rear elevational view of the design as shown in FIG. 1;  
 FIG. 3 is a right side elevational view thereof;  
 FIG. 4 is a left side elevational view thereof;  
 FIG. 5 is a top plan view of the design as shown in FIG. 1; and,  
 FIG. 6 is a bottom plan view thereof.

[56] **References Cited**  
**U.S. PATENT DOCUMENTS**

720,406	2/1903	Clifford .	
1,091,186	3/1914	Brown .	
1,677,261	7/1928	Williams .	
3,375,010	3/1968	Panza .....	273/163 R
3,554,555	1/1971	Macri .....	273/186
3,656,752	4/1972	Moriarty .....	273/183
3,853,325	12/1974	Easterbrook .....	273/183





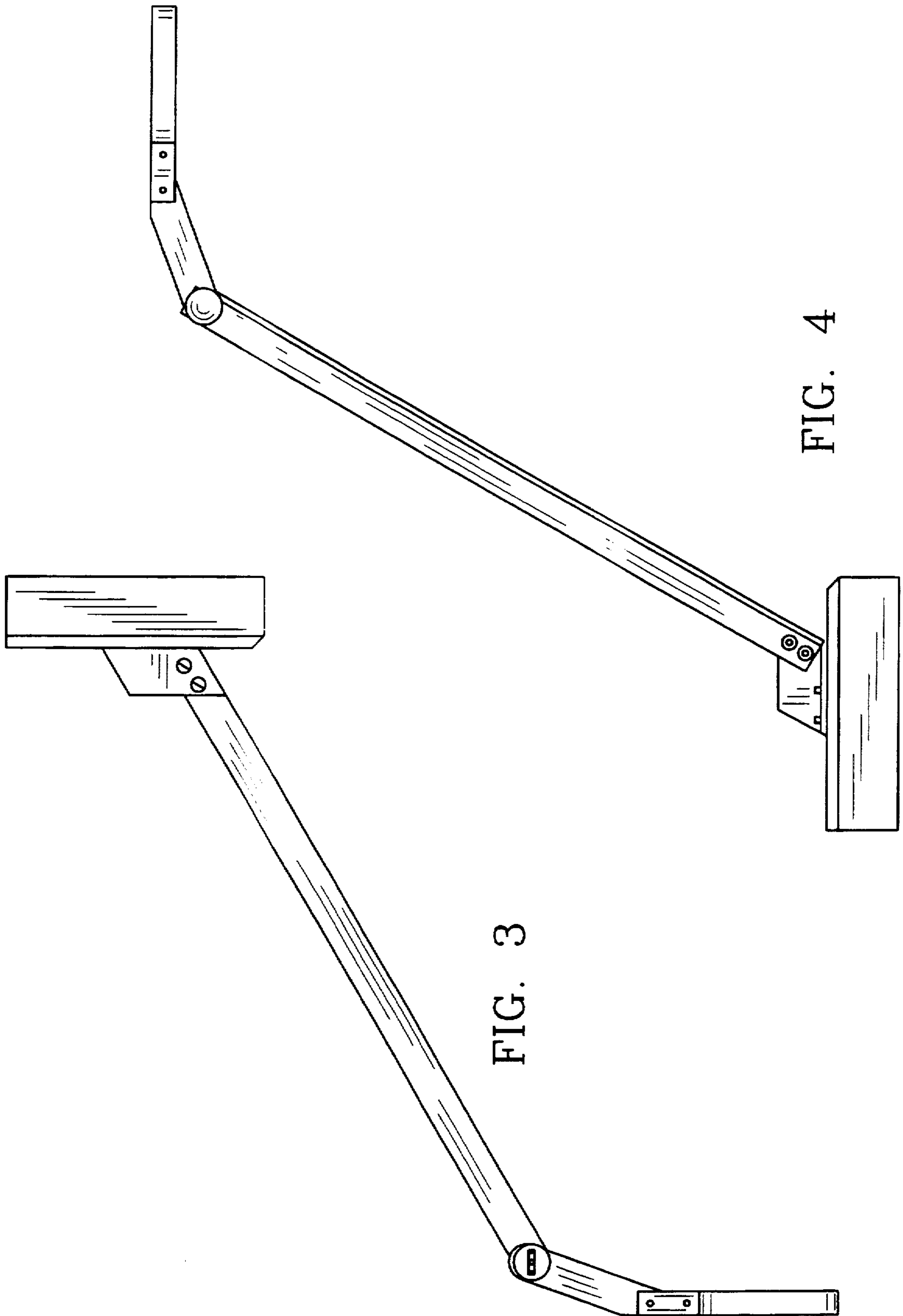


FIG. 3

FIG. 4

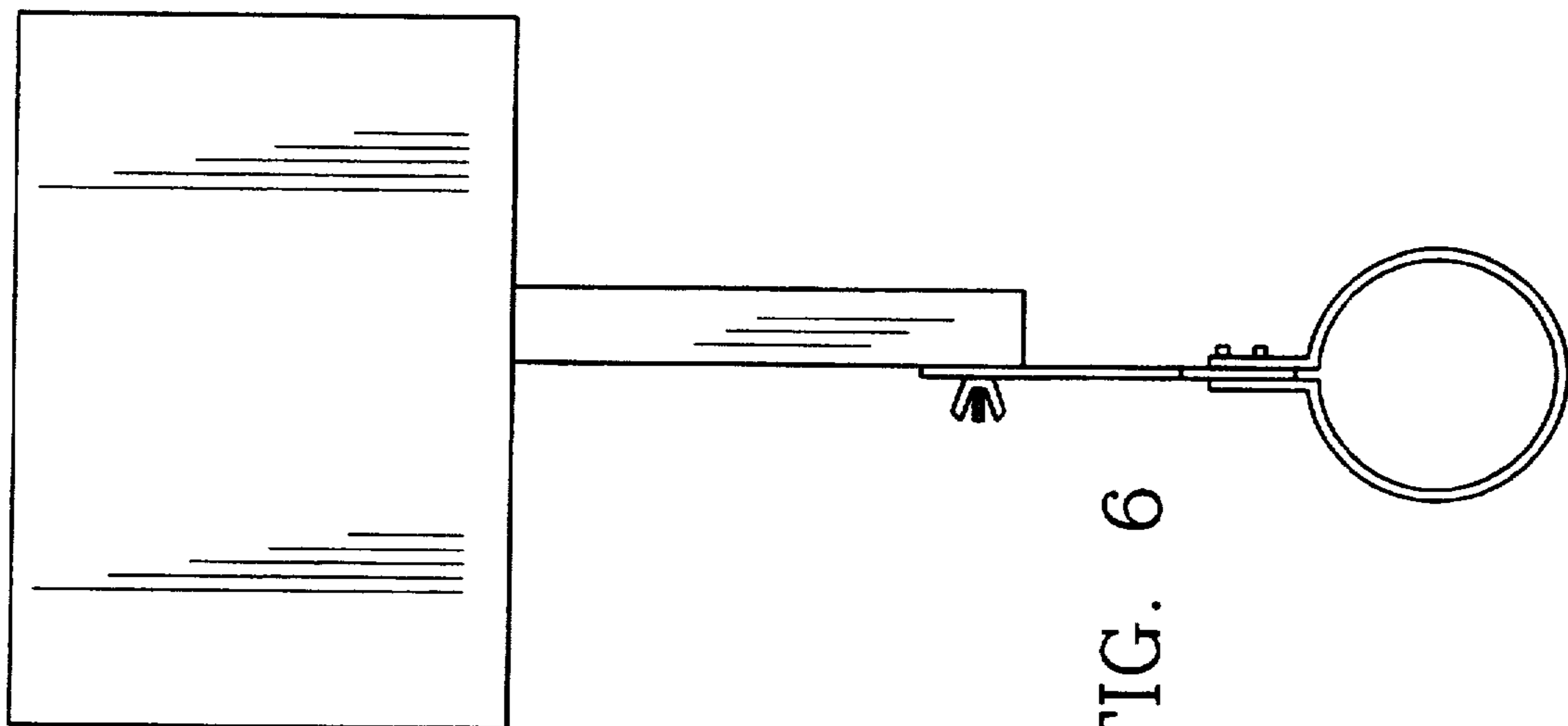


FIG. 6

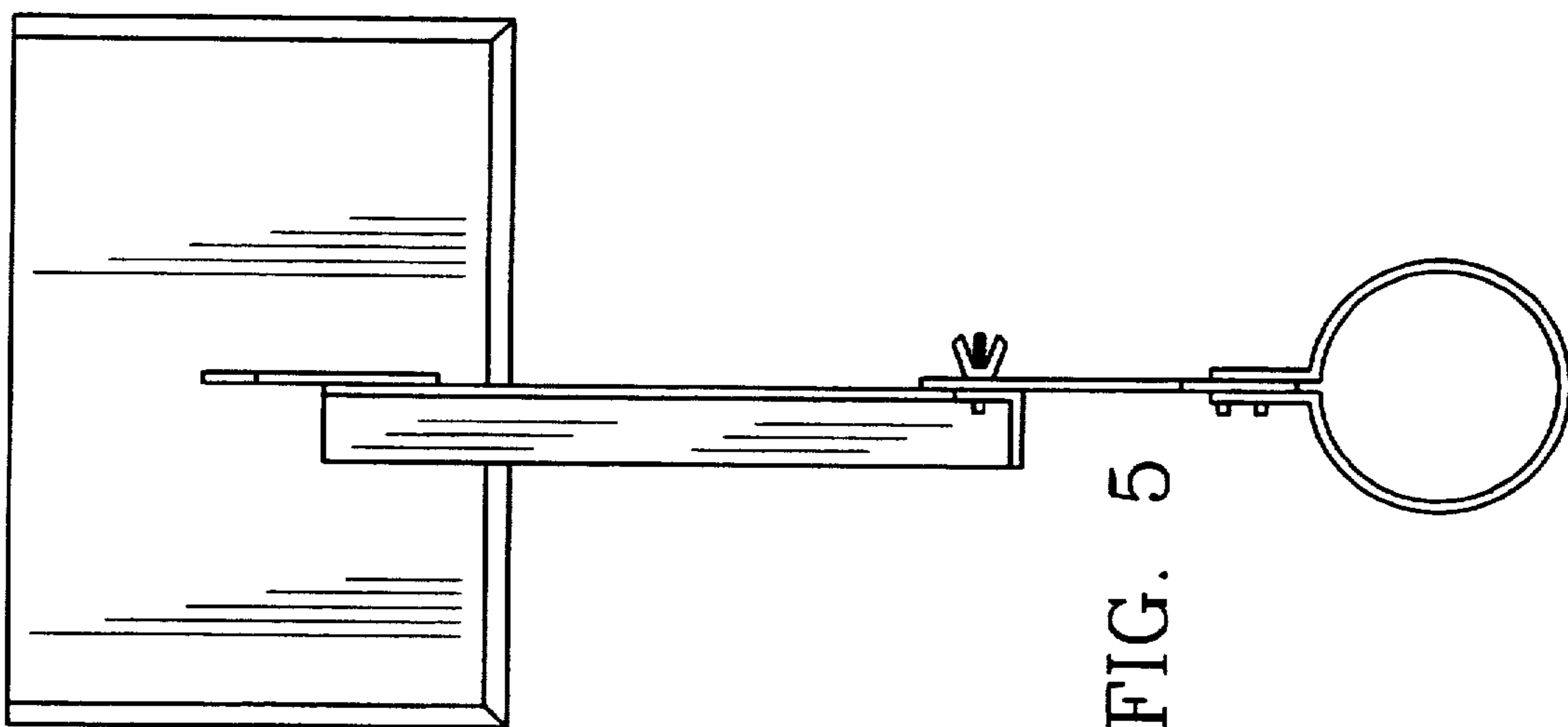


FIG. 5