



US00D351445S

United States Patent [19] Trapani

[11] Patent Number: Des. 351,445

[45] Date of Patent: ** Oct. 11, 1994

[54] SELF-PROPELLED WATER BOARD

[76] Inventor: Carmelo Trapani, 40 Bay 17th St.,
Brooklyn, N.Y. 11214

[**] Term: 14 Years

[21] Appl. No.: 12,319

[22] Filed: Aug. 30, 1993

[52] U.S. Cl. D21/228; D21/236

[58] Field of Search 441/72; 440/21;
D21/228, 236, 237; D12/300, 306

[56] References Cited

U.S. PATENT DOCUMENTS

107,376	9/1870	Hunter .	
871,059	11/1907	Douse .	
3,110,283	11/1963	Warner .	
3,319,971	5/1967	Thomas et al.	441/72
3,453,981	7/1969	Gause .	
3,491,997	1/1970	Winters .	
3,640,240	2/1972	Stein .	
3,642,299	2/1972	Garcia	441/72
3,695,211	10/1972	Gross .	

3,855,957	12/1974	Gross .
4,464,126	8/1984	Maisonneuve .
4,642,056	2/1987	Keivanjah .
4,936,802	6/1990	Ueno .

FOREIGN PATENT DOCUMENTS

945440 4/1974 Canada 440/21

Primary Examiner—Kay H. Chin

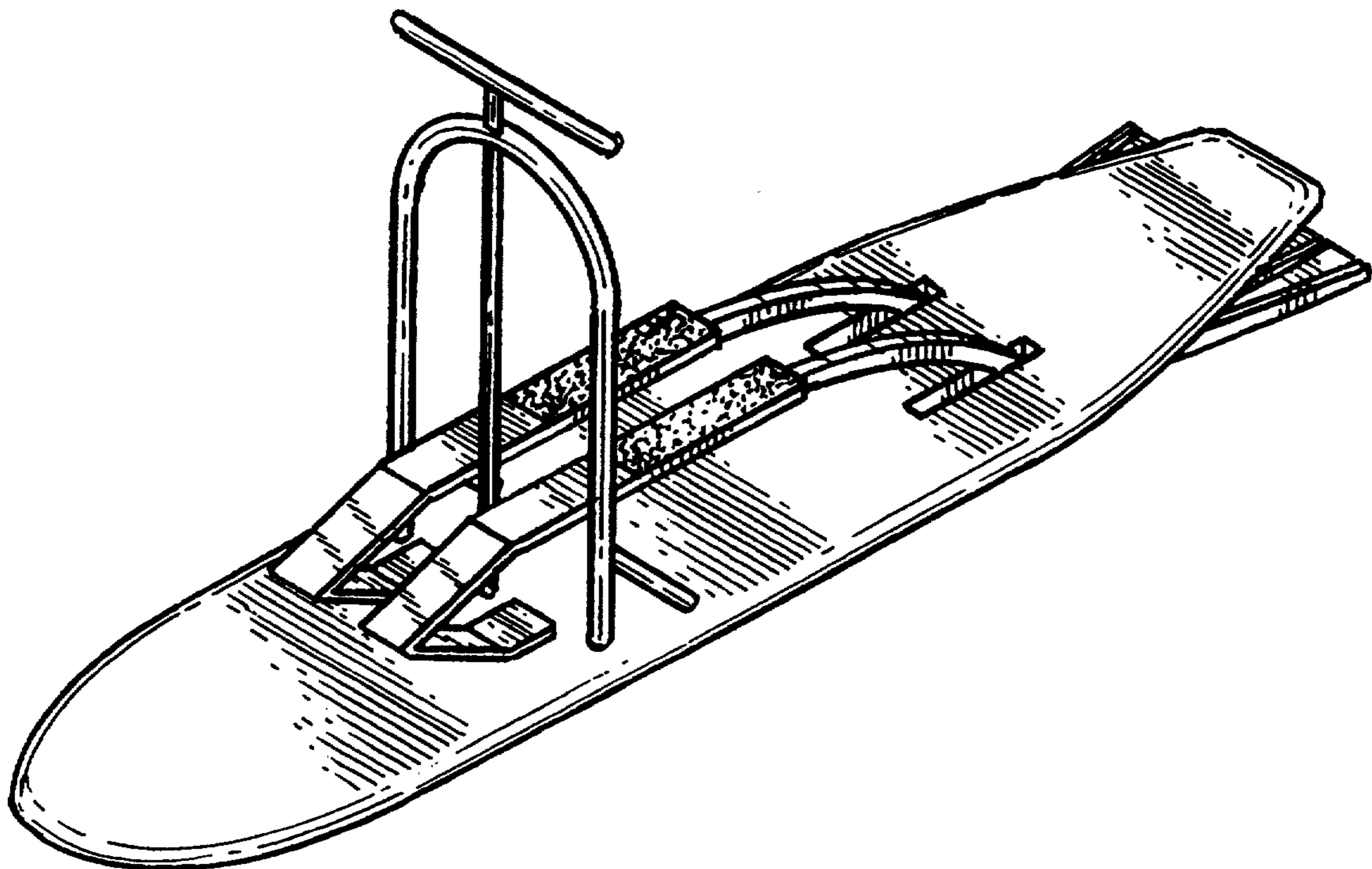
Attorney, Agent, or Firm—Terry M. Gernstein

[57] CLAIM

The ornamental design for a self-propelled water board, as shown and described.

DESCRIPTION

FIG. 1 is a front, top and side perspective view of the self-propelled water board showing my new design; FIG. 2 is a front end elevational view thereof; FIG. 3 is a rear end elevational view thereof; FIG. 4 is a side elevational view thereof, the side opposite being a mirror image of the side shown in FIG. 4; FIG. 5 is a top plan view thereof; and, FIG. 6 is a bottom plan view thereof.



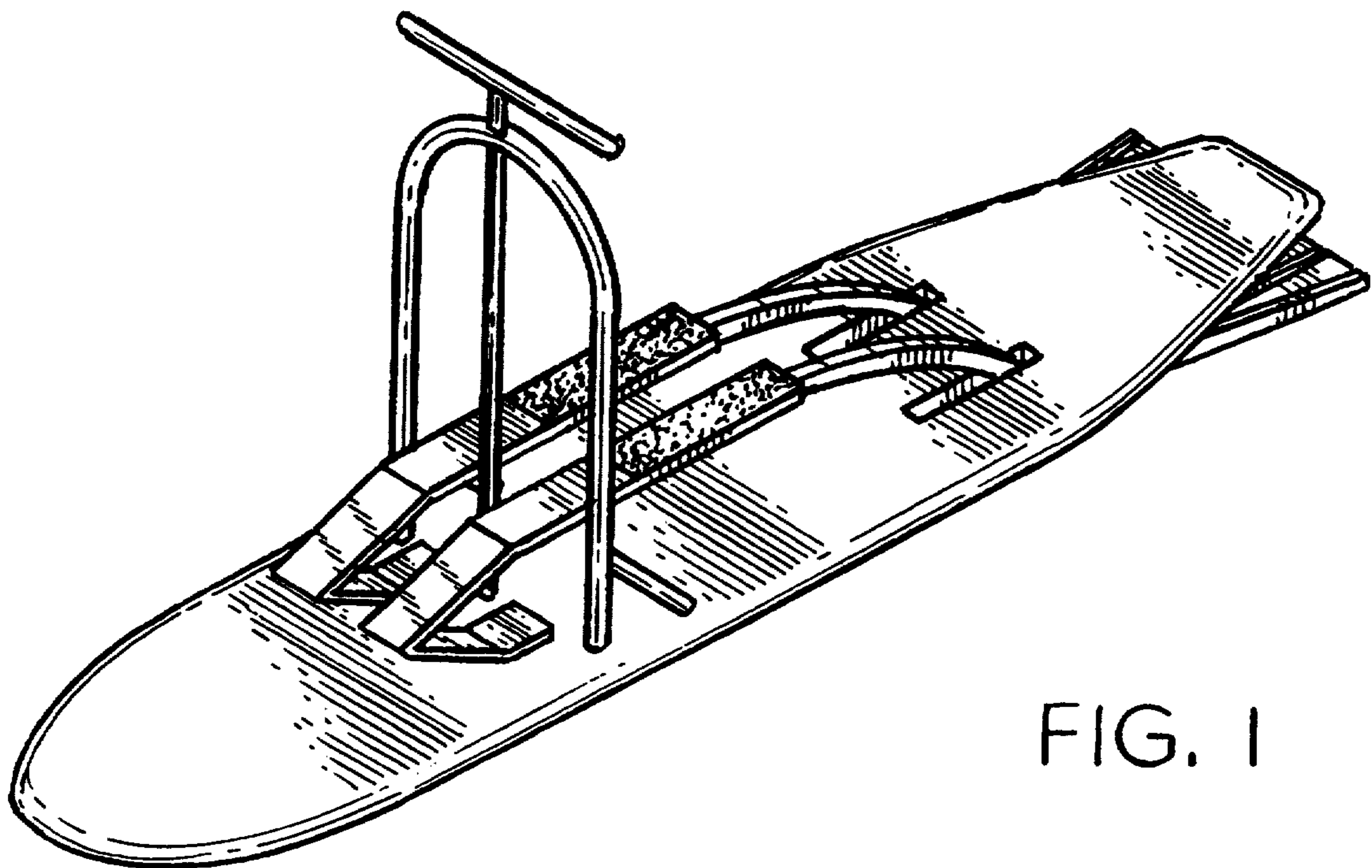


FIG. 1

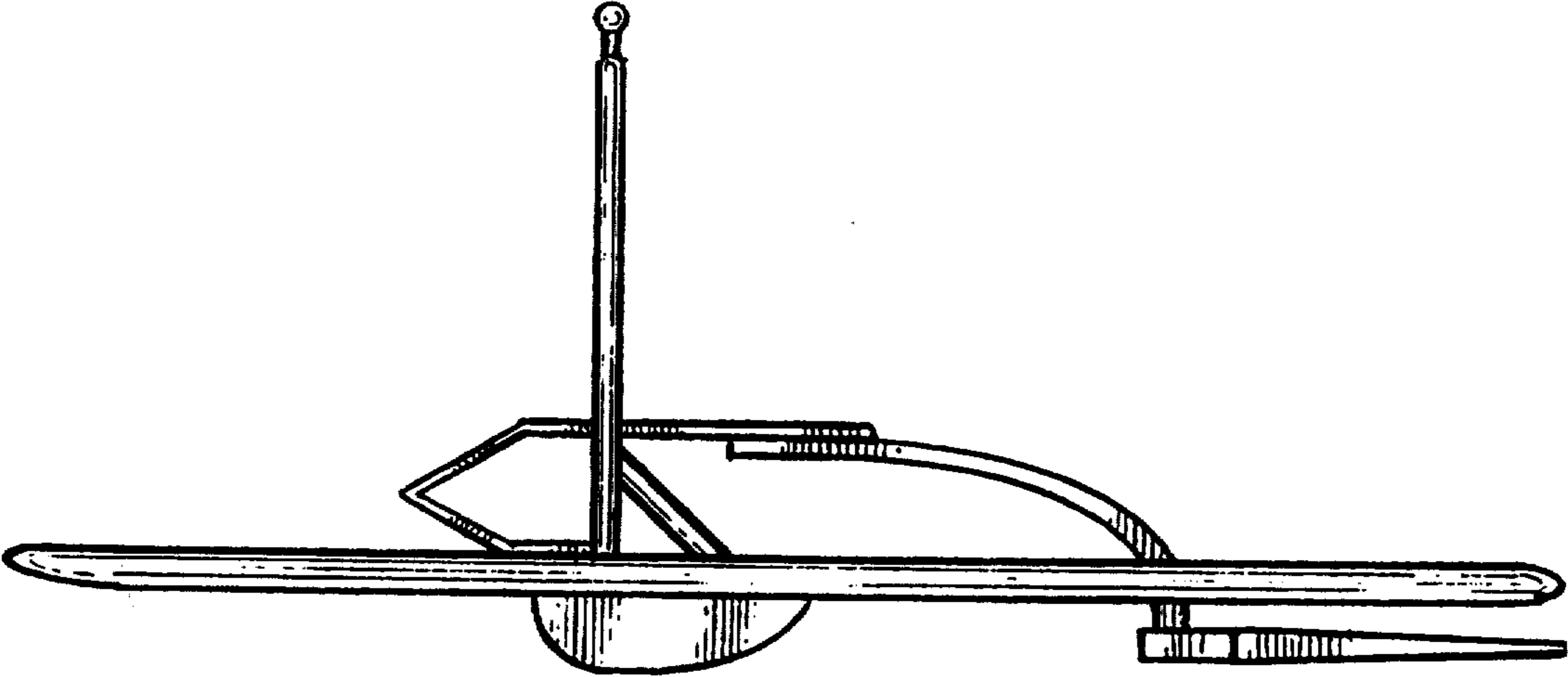


FIG. 2

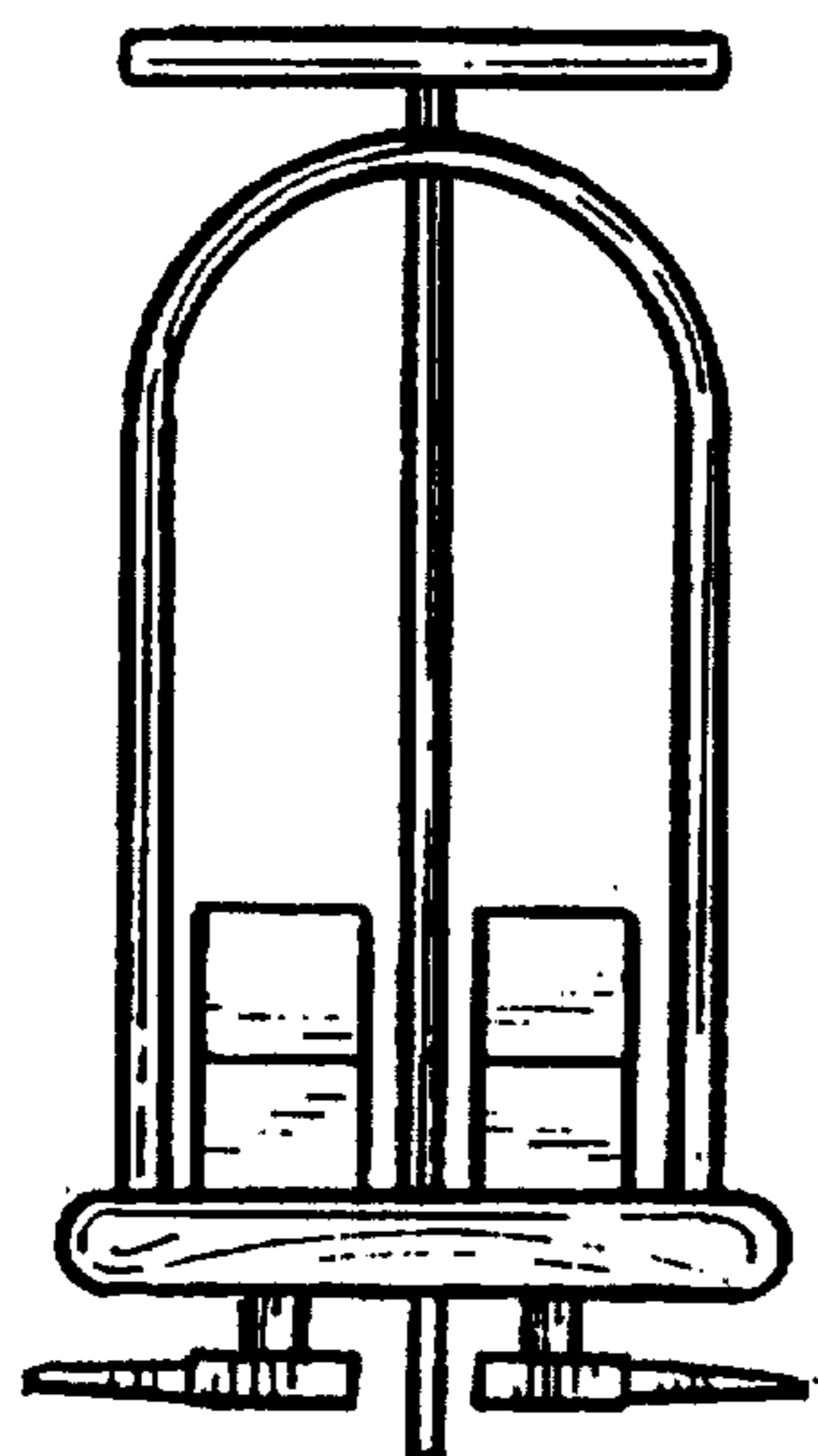


FIG. 3

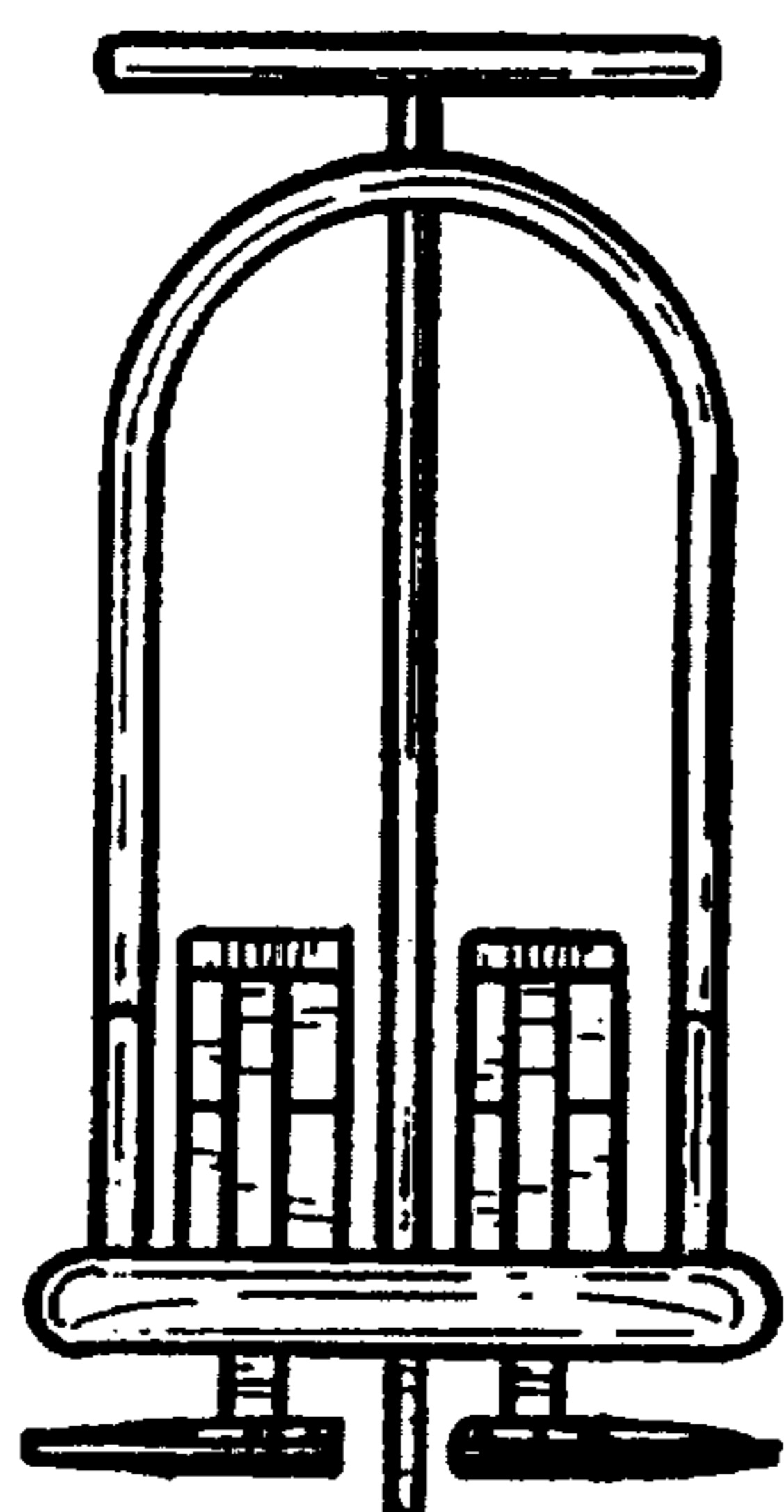


FIG. 4

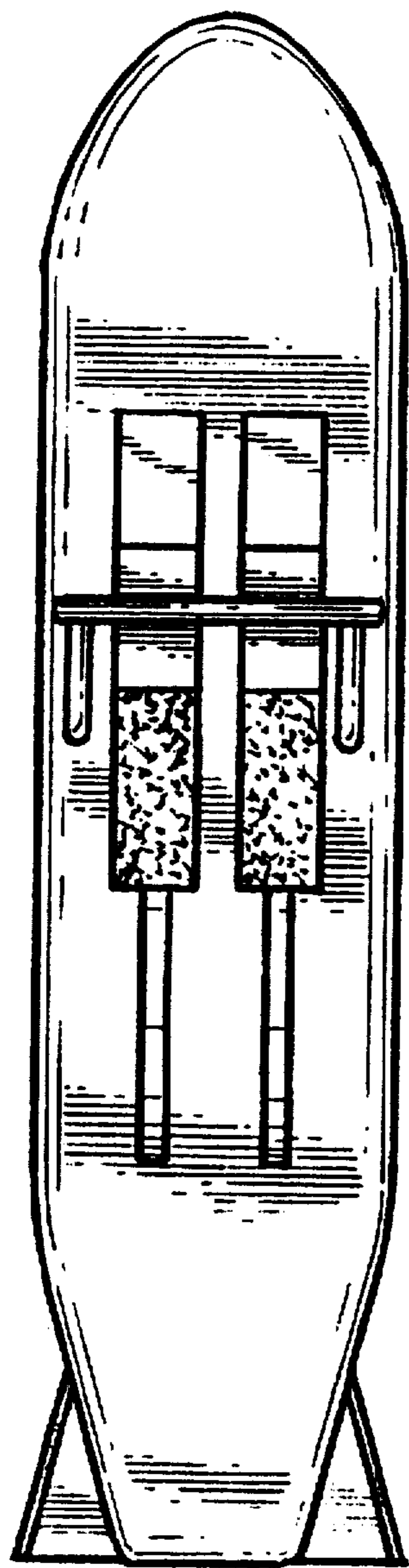


FIG. 5

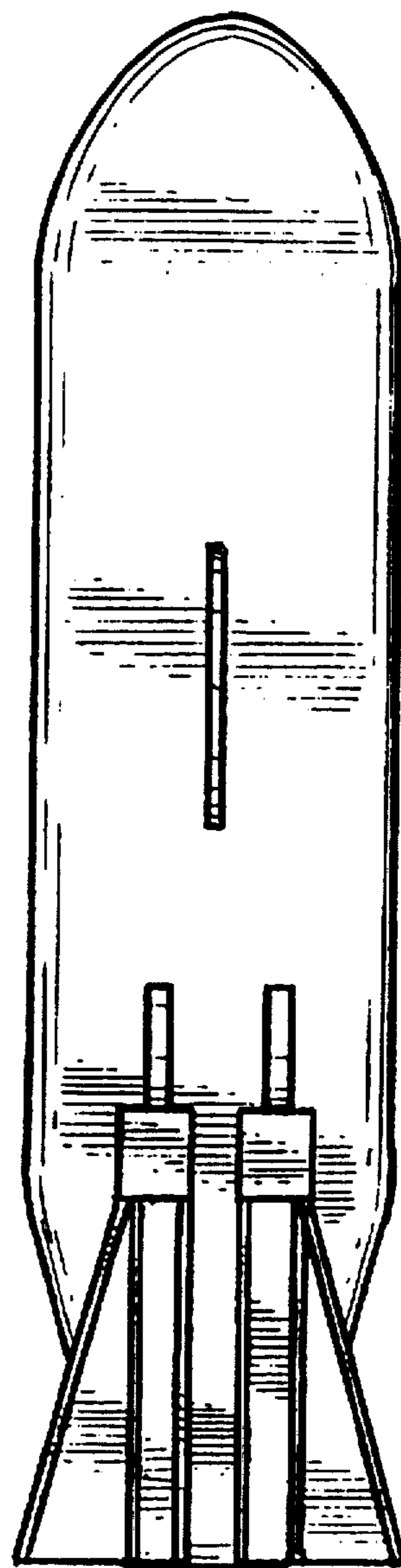


FIG. 6