



US00D351443S

United States Patent [19]

[11] Patent Number: Des. 351,443

Caugh et al.

[45] Date of Patent: ** Oct. 11, 1994

[54] GOLF PUTTER HEAD

[75] Inventors: **Gerald C. Caugh; Manoug Broukiam,**
both of Kent, Mich.

[73] Assignee: **Keeler Brass Company, Grand**
Rapids, Mich.

[**] Term: **14 Years**

[21] Appl. No.: **2,910**

[22] Filed: **Dec. 22, 1992**

[52] U.S. Cl. **D21/219**

[58] Field of Search 273/164.1, 167-175;
D21/217, 219

3,134,596	5/1964	Boznos .
3,815,910	6/1974	Raines .
3,884,468	5/1975	Cook .
4,121,832	10/1978	Ebbing .
4,199,144	4/1980	Skelly .
4,252,262	2/1981	Igarashi .
4,390,184	6/1983	Rudell 273/164.1
4,792,140	12/1988	Yamaguchi et al. .
4,964,639	10/1990	Tucker .
5,083,778	1/1992	Douglass .

Primary Examiner—Melvin B. Feifer
Attorney, Agent, or Firm—Varnum, Riddering, Schmidt
& Howlett

[57] CLAIM

The ornamental design for golf putter head, as shown
and described.

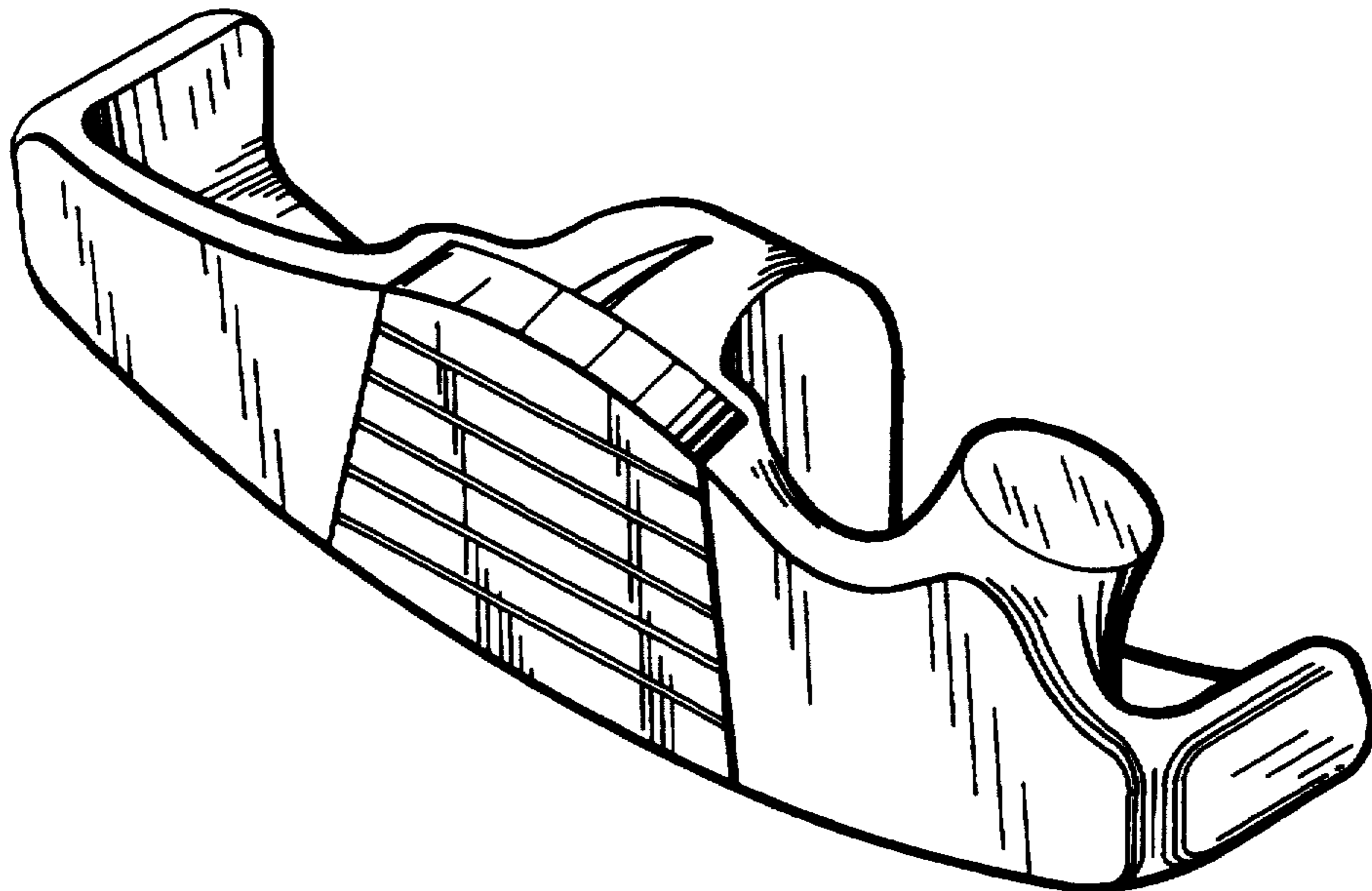
[56] References Cited

U.S. PATENT DOCUMENTS

D. 146,431	3/1947	Liolich .	
D. 209,760	1/1968	Andis	D21/217
D. 217,487	5/1970	Blake	D21/217
D. 234,961	4/1975	Swash .	
D. 239,402	3/1976	Kindred .	
D. 294,511	3/1988	Durket .	
D. 314,030	1/1991	Sanchez .	
D. 318,088	7/1991	Antonious .	
D. 322,109	12/1991	Antonious .	
D. 322,646	12/1991	Antonious .	
D. 324,712	3/1992	Shearer	D21/219
D. 328,480	8/1992	Antonious .	
D. 337,803	7/1993	Sillers	D21/219

DESCRIPTION

FIG. 1 is a perspective view of a golf putter head which
embodies our design;
FIG. 2 is a front elevational view thereof;
FIG. 3 is a rear elevational view thereof;
FIG. 4 is a right side elevational view thereof;
FIG. 5 is a top view thereof;
FIG. 6 is a bottom plan view thereof;
FIG. 7 is a left side elevational view thereof;
FIG. 8 is a sectional view of the golf putter head taken
along lines 8—8 of FIG. 2; and,
FIG. 9 is a sectional view of the golf putter head taken
along lines 9—9 of FIG. 2.



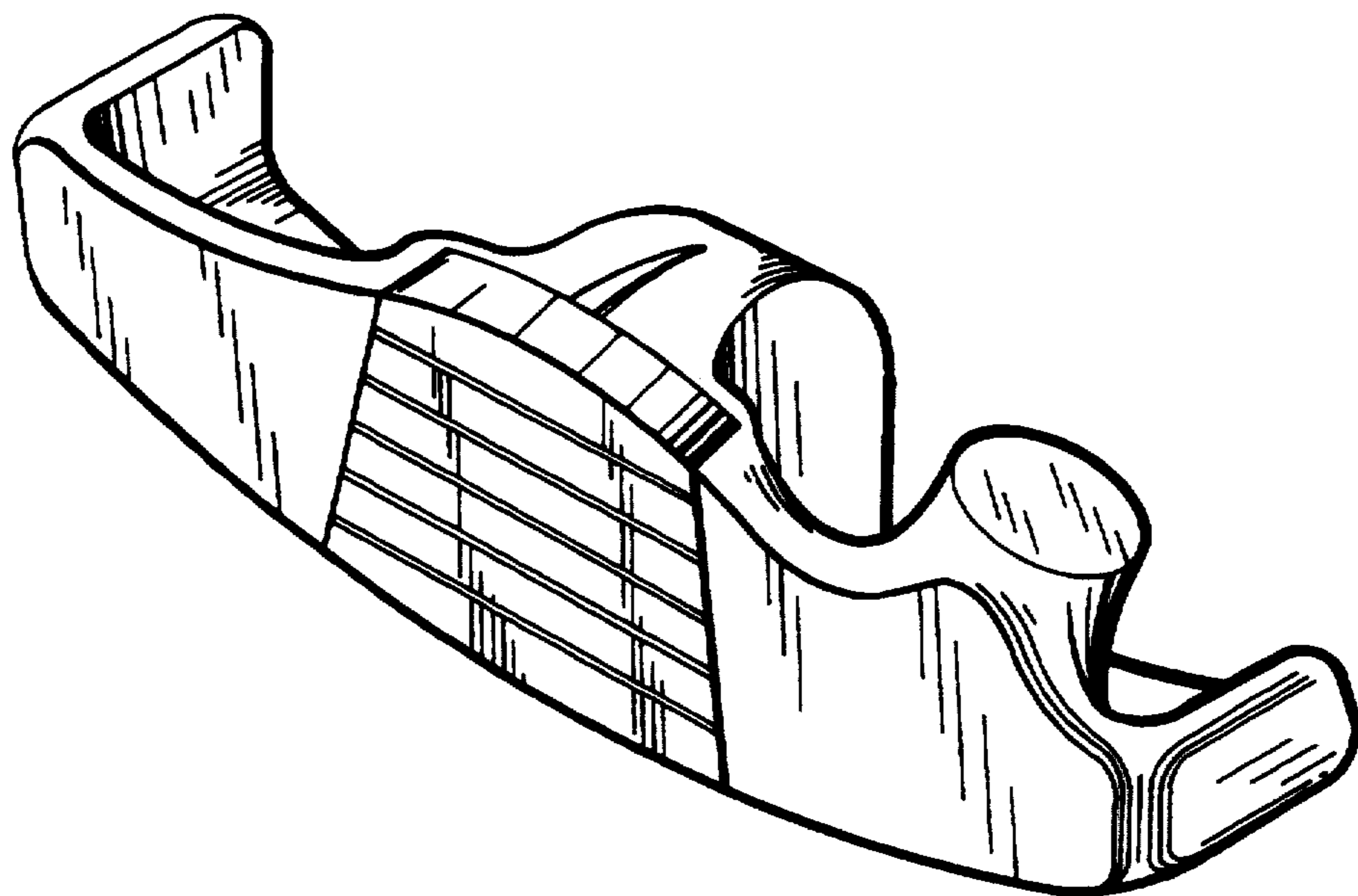
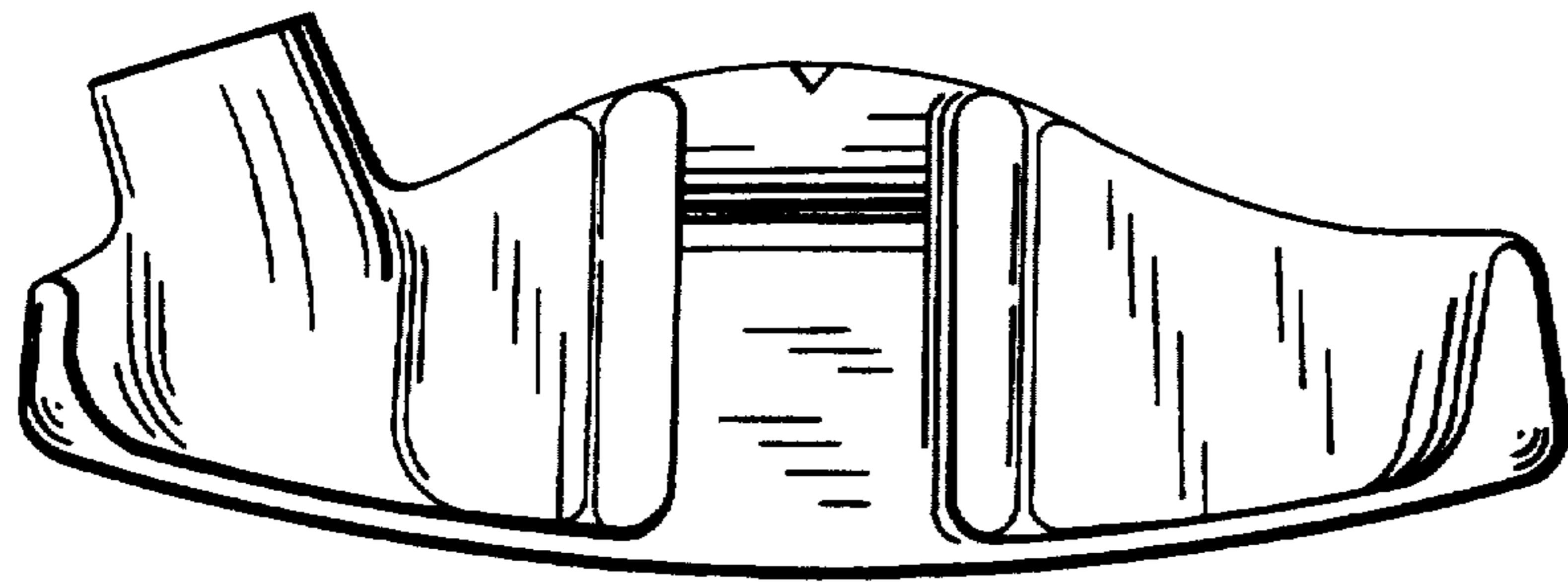
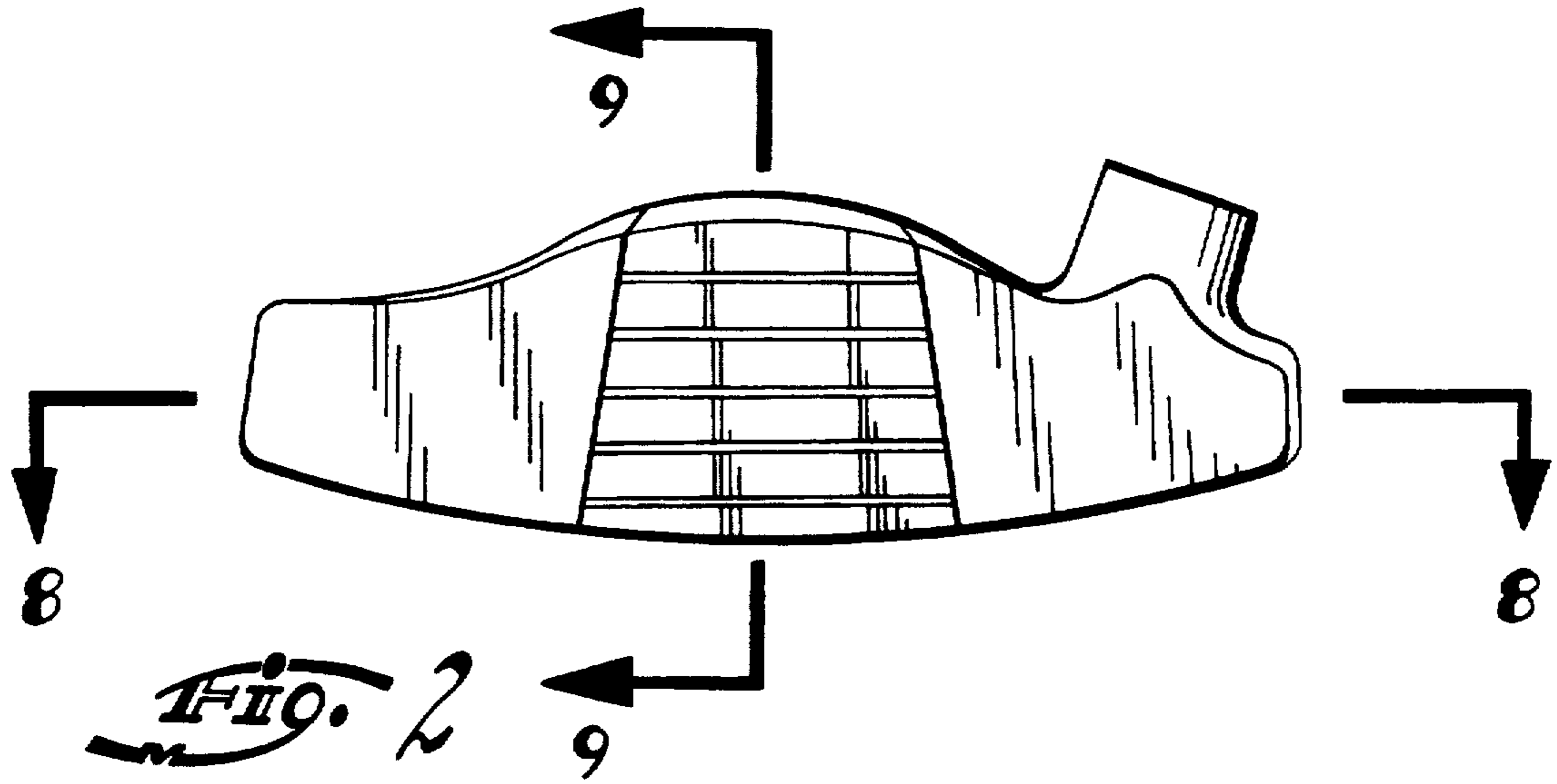


FIG. 1



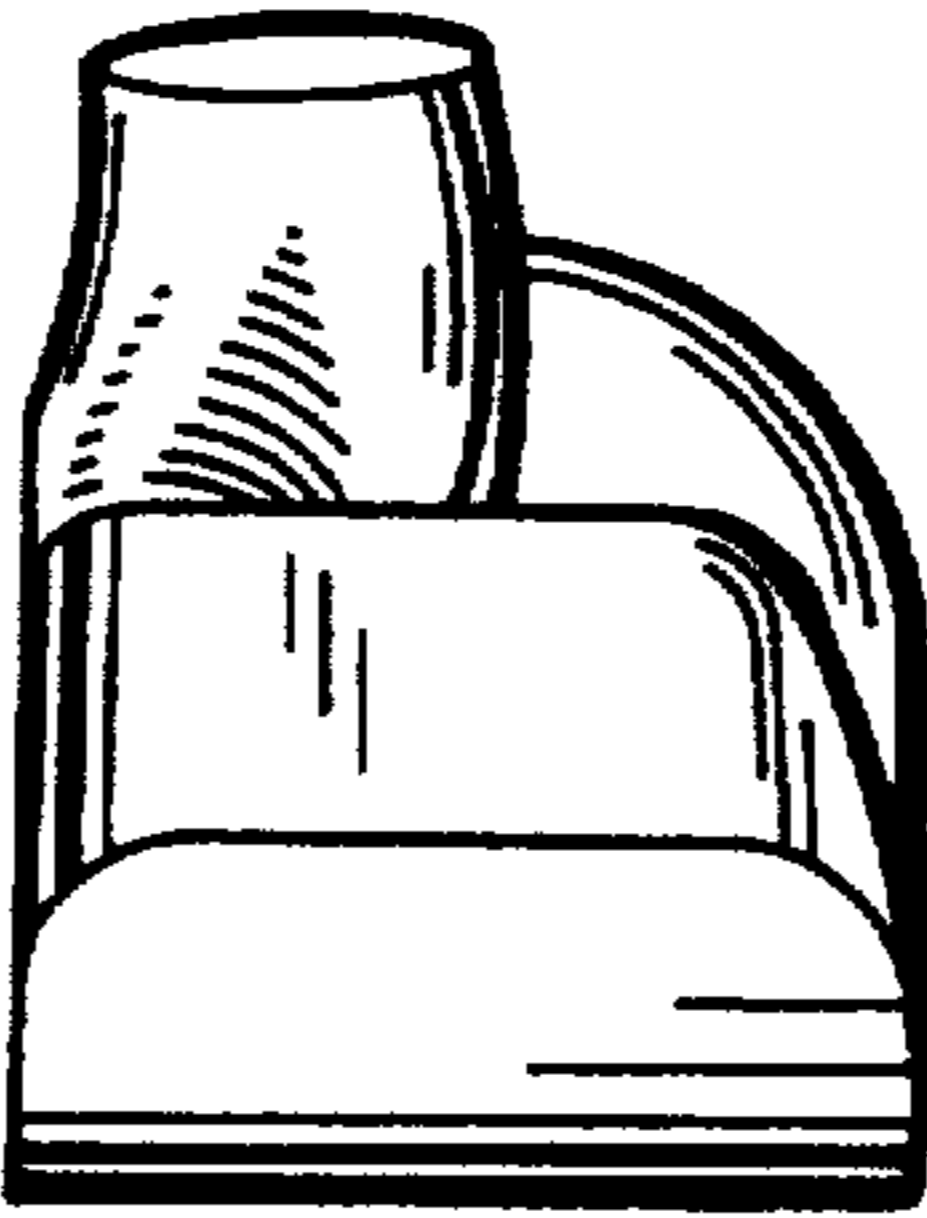


FIG. 4

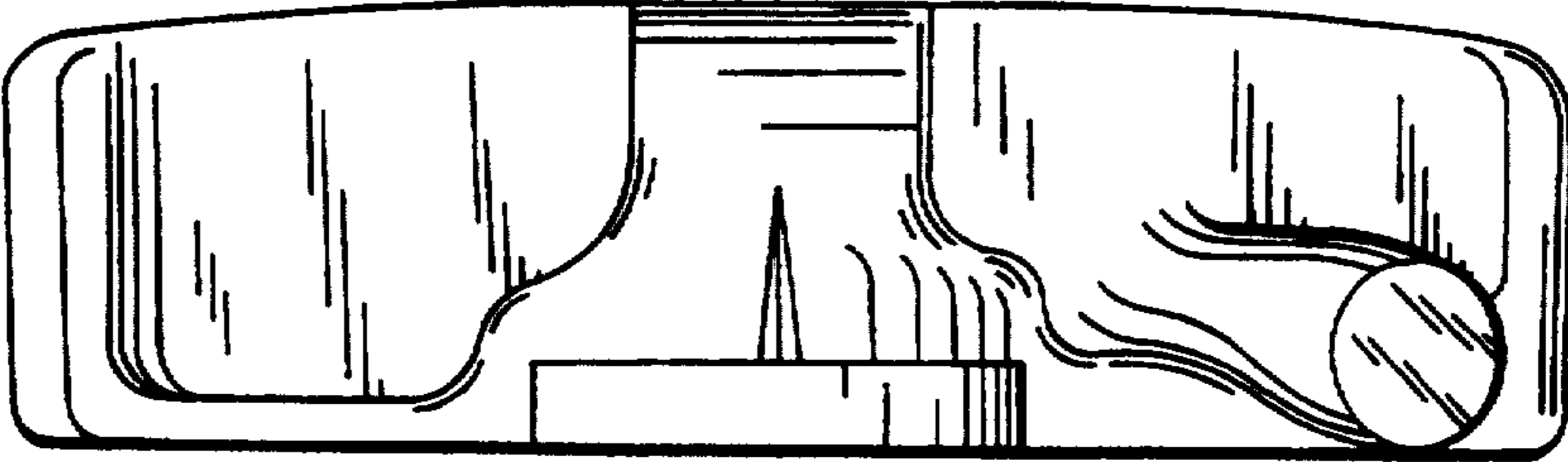


FIG. 5

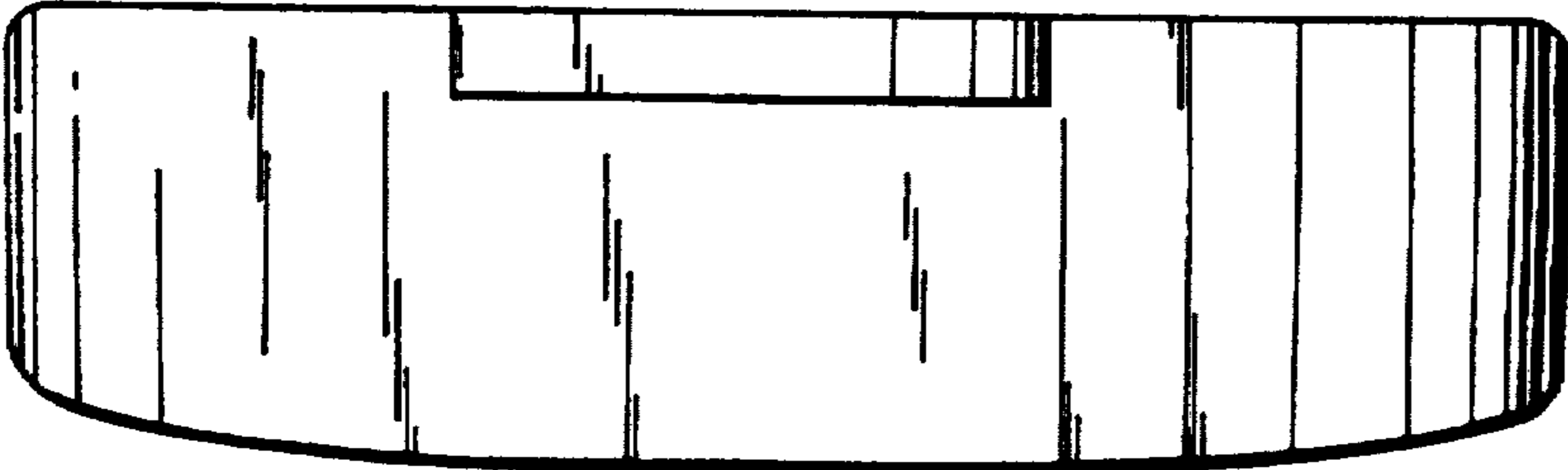


FIG. 6

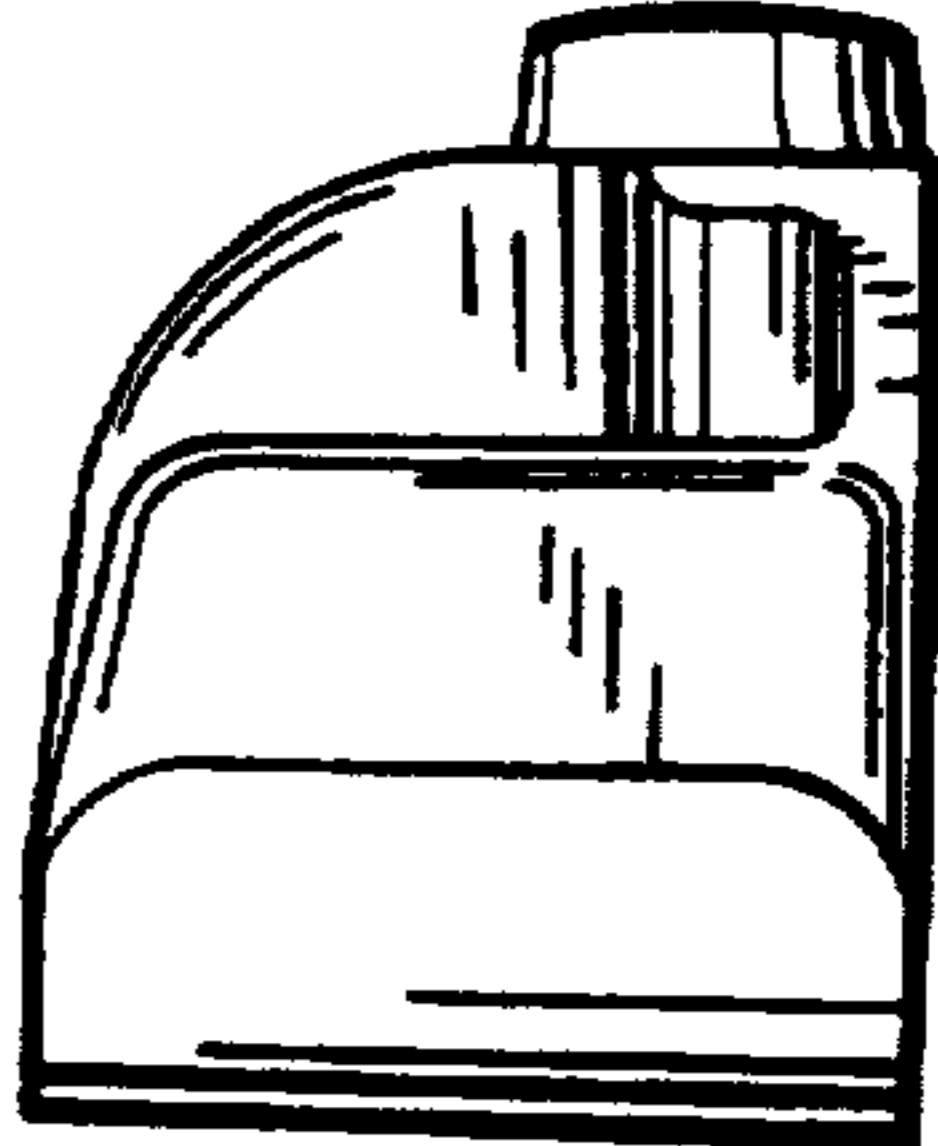


FIG. 7

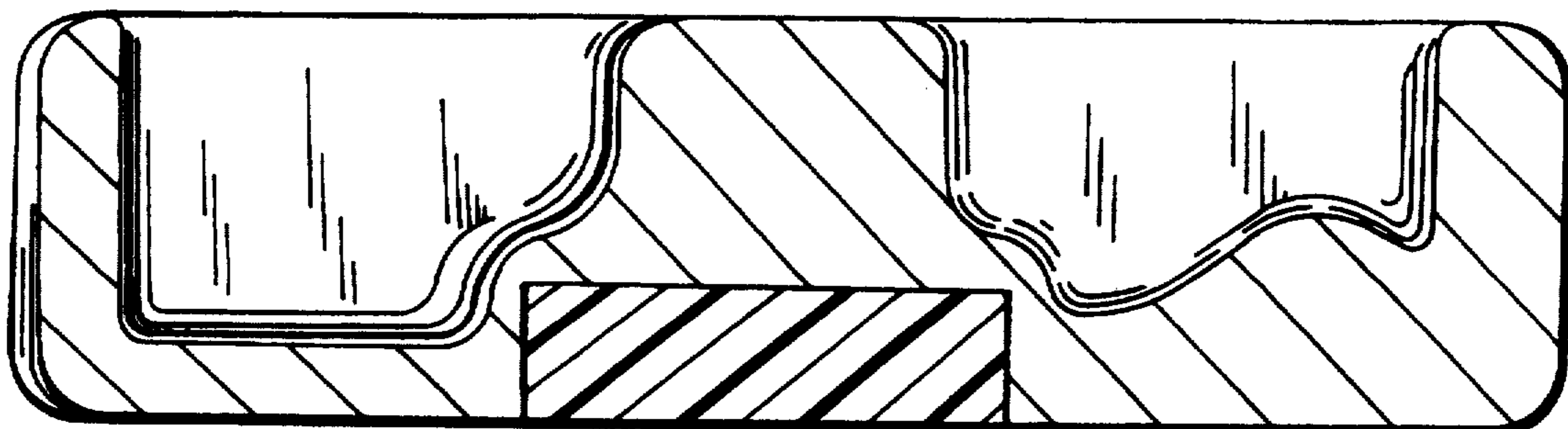


FIG. 8

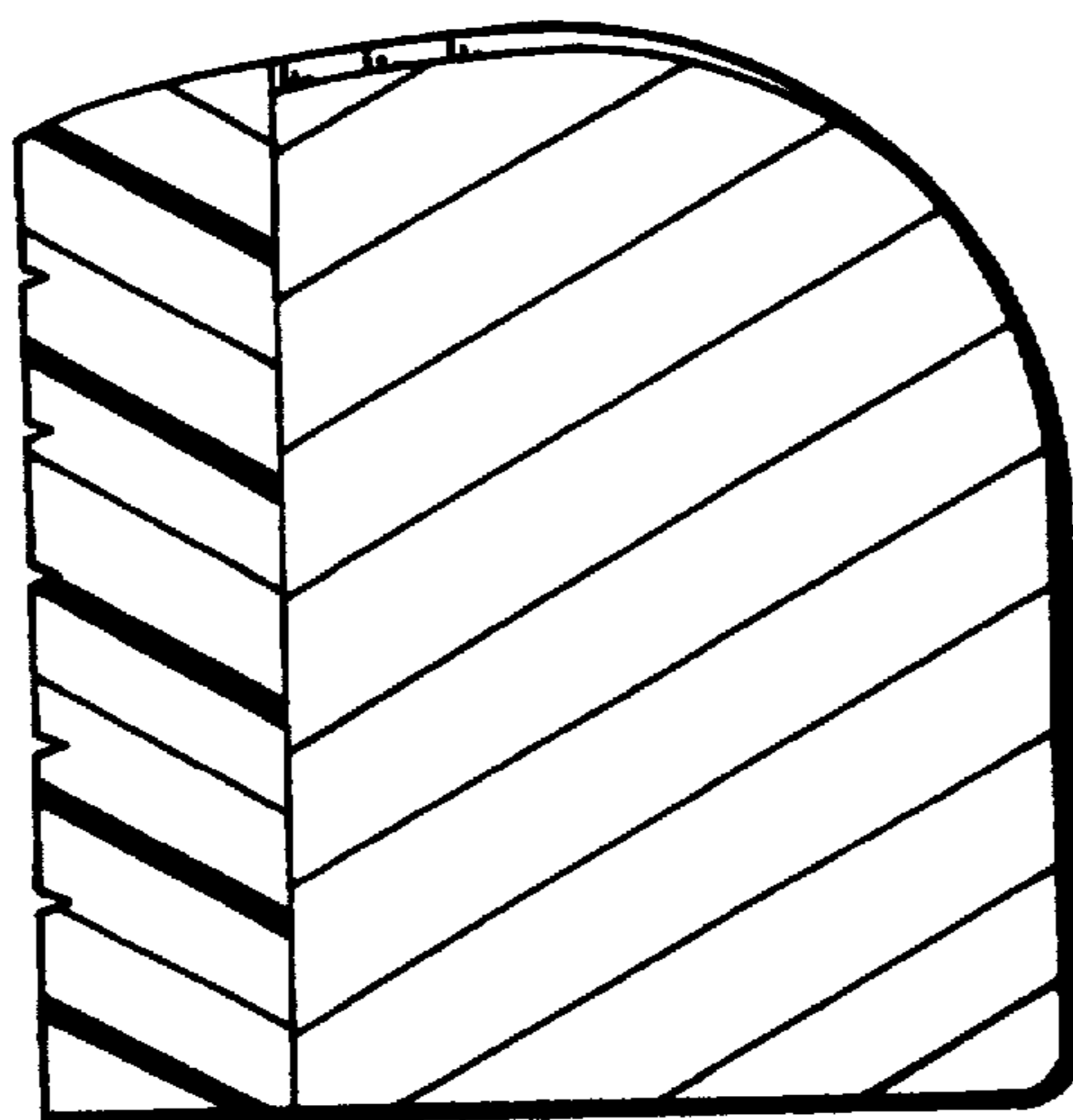


FIG. 9