



US00D351437S

United States Patent [19] Pravitz

[11] Patent Number: **Des. 351,437**

[45] Date of Patent: **** Oct. 11, 1994**

[54] **GYROSCOPIC EXERCISER**

[76] Inventor: **Kenneth L. Pravitz**, 51 E. Grand Blvd., Corona, Calif. 91719

[**] Term: **14 Years**

[21] Appl. No.: **5,818**

[22] Filed: **Mar. 11, 1993**

[52] U.S. Cl. **D21/198; D21/92**

[58] Field of Search 482/45, 46, 110, 109, 482/115; 446/233, 236, 419; 74/5 R; D21/191, 198, 92

4,684,124 8/1987 Escher 482/110
 5,150,625 9/1992 Mishler 446/233

Primary Examiner—Bernard Ansher
Assistant Examiner—Philip Hyder
Attorney, Agent, or Firm—Willie Krawitz

[57] **CLAIM**

The ornamental design for a gyroscopic exerciser, as shown.

DESCRIPTION

FIG. 1 is a front elevation view of a gyroscopic exerciser showing my new design;
 FIG. 2 is a bottom plan view thereof;
 FIG. 3 is a rear elevation view thereof;
 FIG. 4 is an end view taken along lines 4—4 of FIG. 1; and,
 FIG. 5 is an end view taken along lines 5—5 of FIG. 1.

[56] **References Cited**

U.S. PATENT DOCUMENTS

D. 341,403	11/1993	Wilkinson et al.	D21/198
2,920,418	1/1960	Britt	482/46
4,150,580	4/1979	Silkebakken et al.	446/233

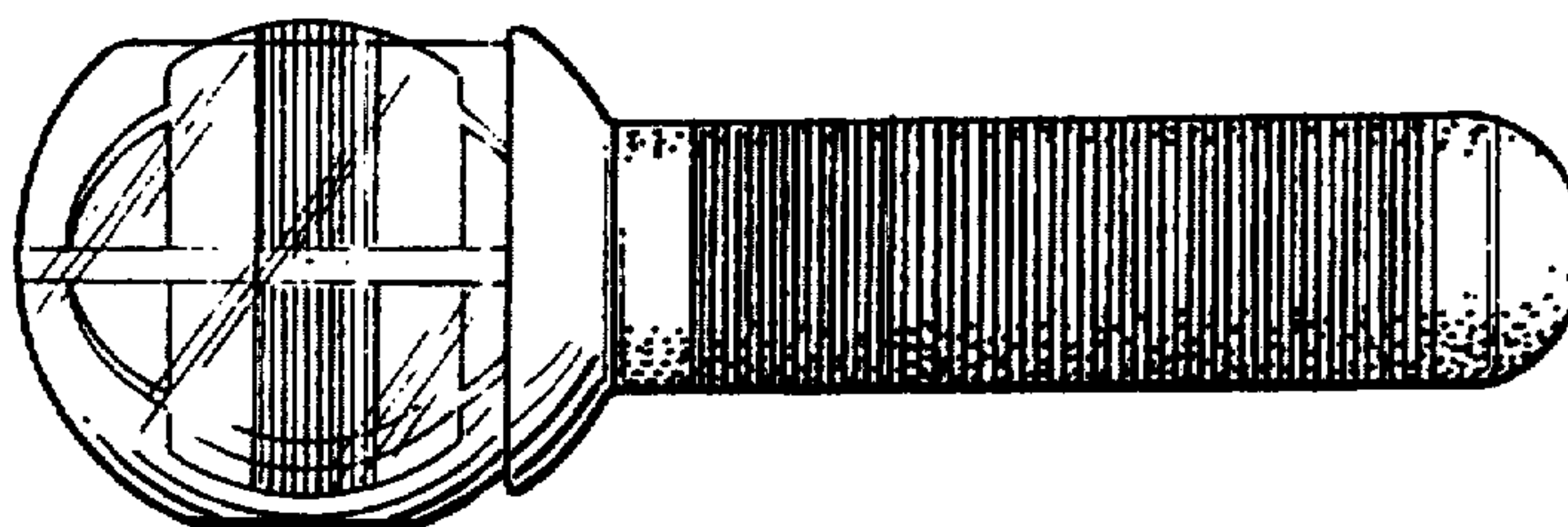


FIG. 1

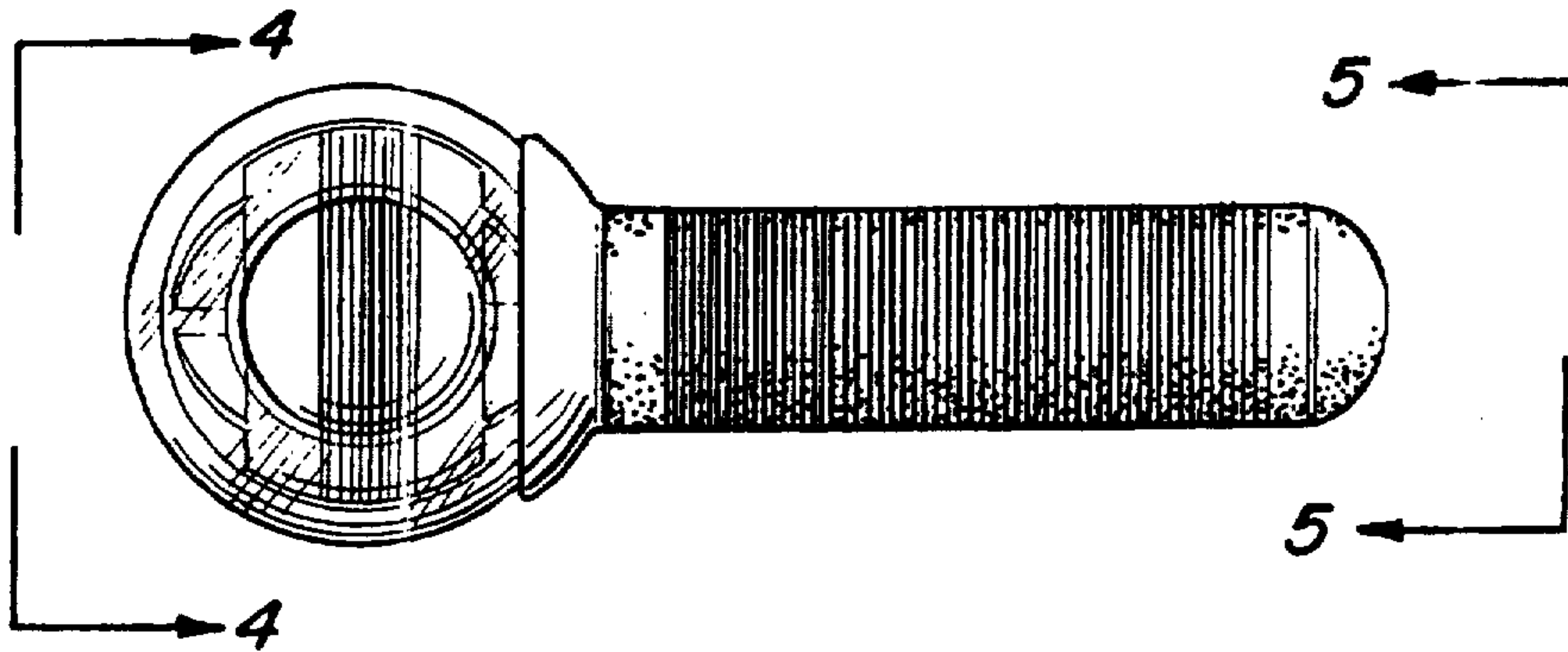


FIG. 2

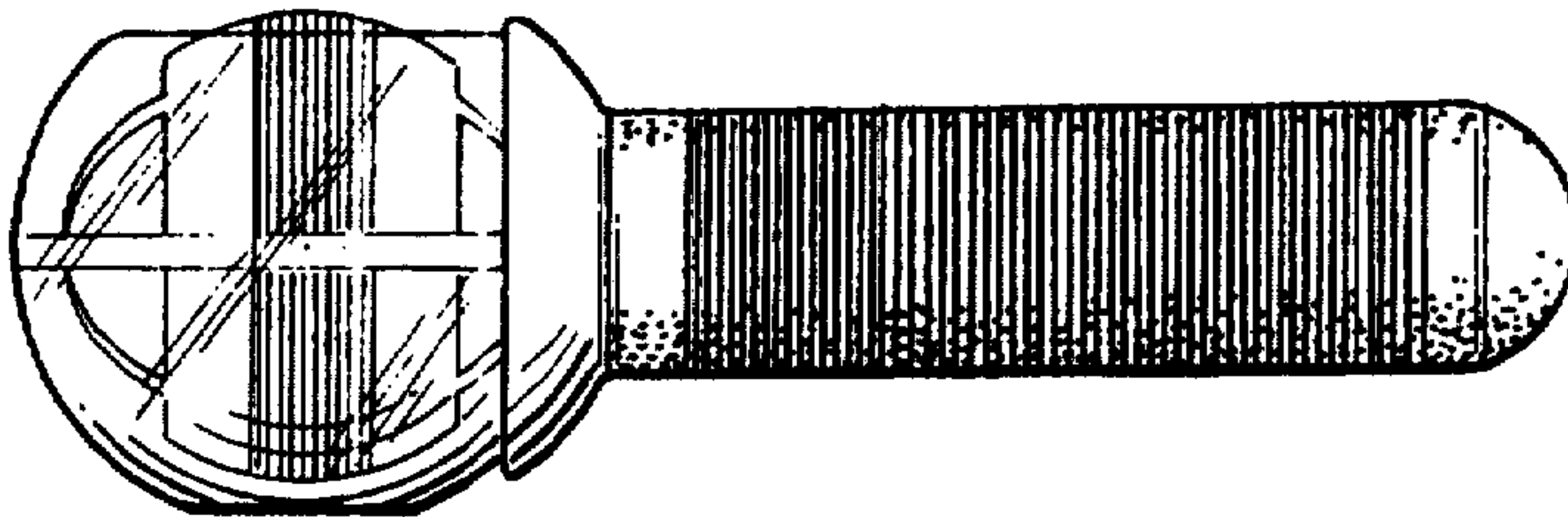


FIG. 3

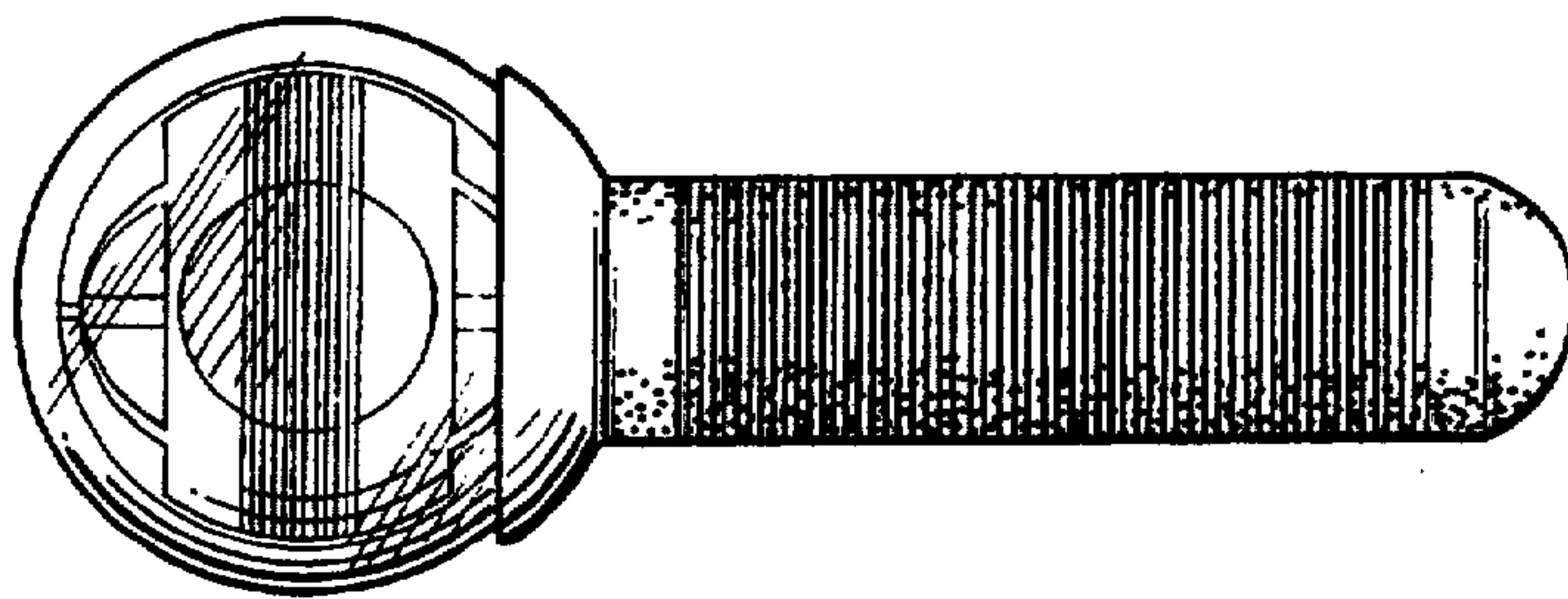


FIG. 4

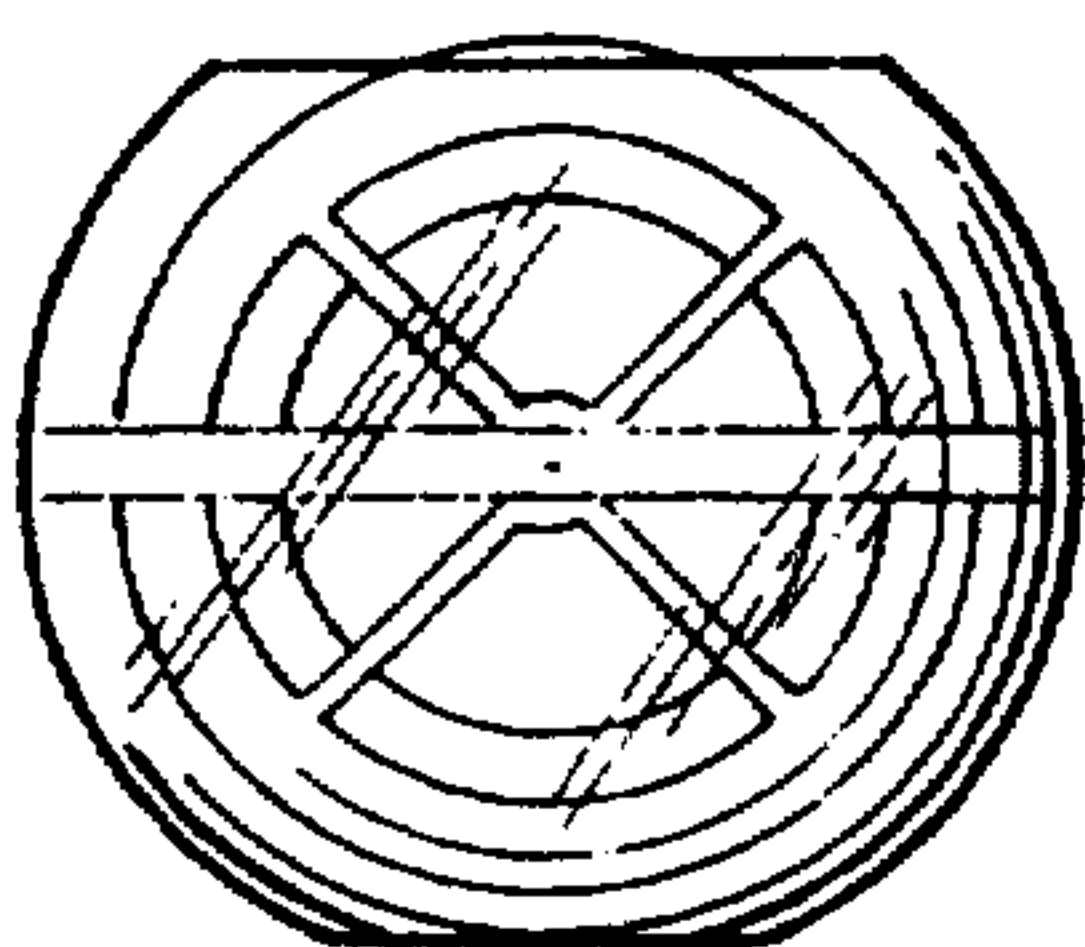


FIG. 5

