



US00D351433S

United States Patent [19]

[11] Patent Number: **Des. 351,433**

Flood et al.

[45] Date of Patent: **** Oct. 11, 1994**

[54] TOY VEHICLE

[76] Inventors: **Harold C. Flood; Eleanor R. Flood,**
both of Star Rte. 1 - Box 103,
Crescent City, Fla. 32112

[**] Term: **14 Years**

[21] Appl. No.: **4,680**

[22] Filed: **Feb. 11, 1993**

[52] U.S. Cl. **D21/124**

[58] Field of Search 446/29, 93-94,
446/96, 128, 211, 434, 451, 468; 280/87.01,
87.021, 47.38, 1.206, 1.207, 1.23, 1.13, 281.1,
282; D21/71, 74, 76, 78, 80, 128, 133-137, 140,
141, 148; D12/112

[56] **References Cited**

U.S. PATENT DOCUMENTS

D. 77,669 2/1929 Carlson D21/80
D. 163,207 5/1951 Lennox 446/451

D. 214,785 7/1969 Rypinski D21/80
D. 228,244 8/1973 Rozmarynowski D21/137
1,787,034 12/1930 Burns D21/128
3,895,597 7/1975 Olevsky D21/80
4,202,132 5/1980 Fisher 446/93

Primary Examiner—Bernard Ansher
Assistant Examiner—R. Barkai
Attorney, Agent, or Firm—Hugh E. Smith

[57] CLAIM

The ornamental design for a toy vehicle, as shown and described.

DESCRIPTION

FIG. 1 is a front elevational view of the toy vehicle showing my new design;
FIG. 2 is a rear elevational view thereof;
FIG. 3 is a left side elevational view thereof;
FIG. 4 is a right side elevational view thereof;
FIG. 5 is a top plan view thereof;
FIG. 6 is a bottom plan view thereof; and,
FIG. 7 is an isometric view thereof.

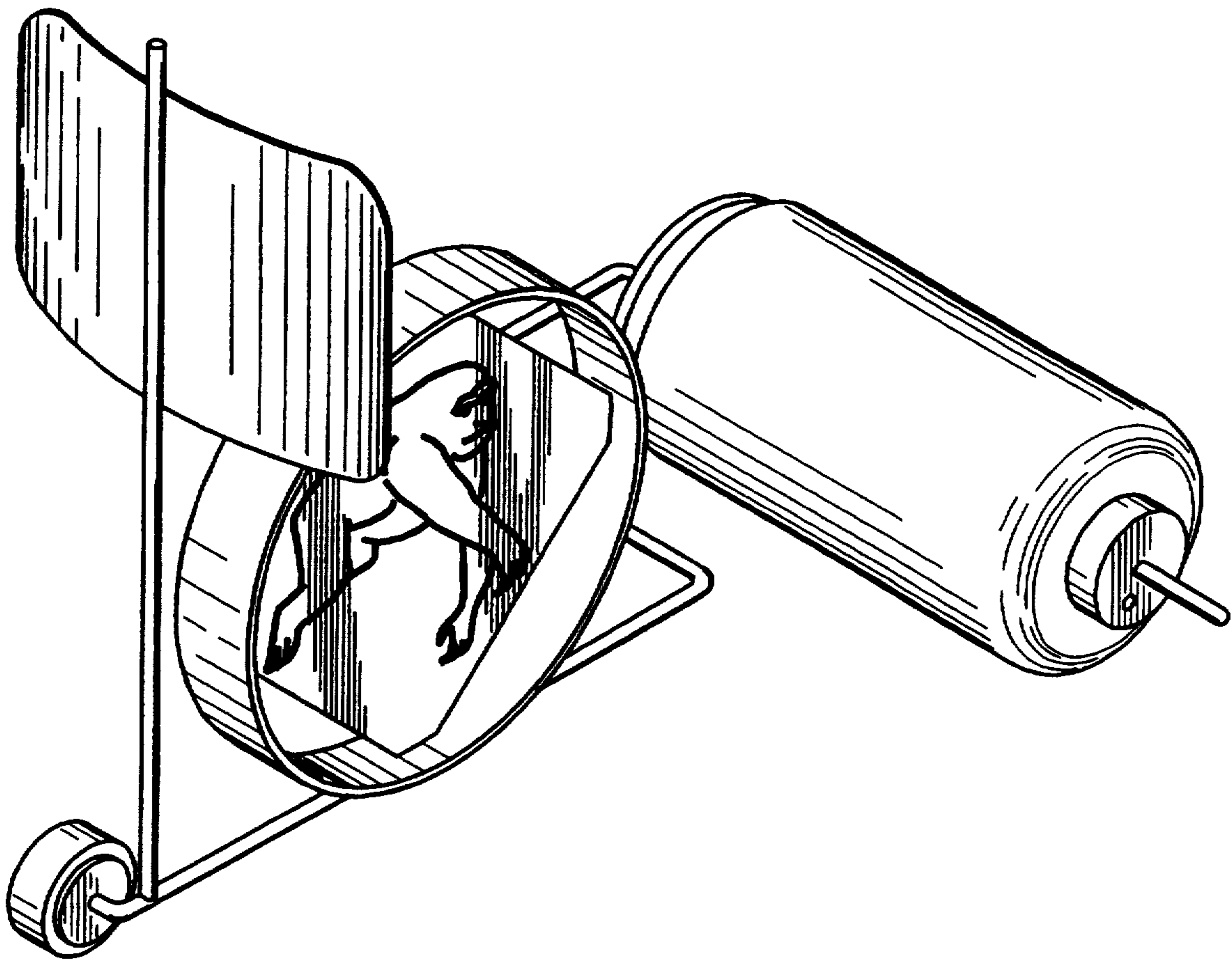


FIG. 1

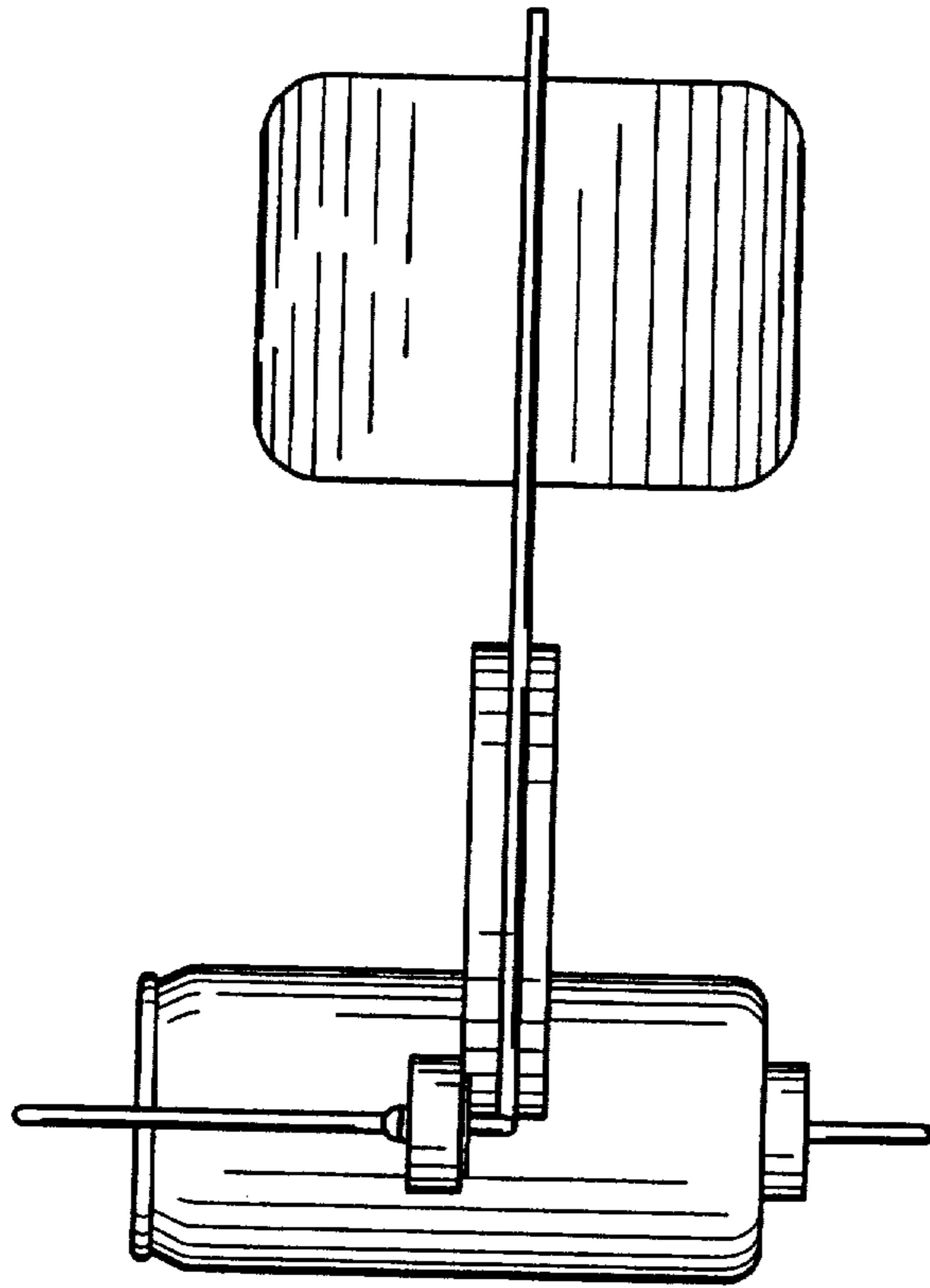


FIG. 2

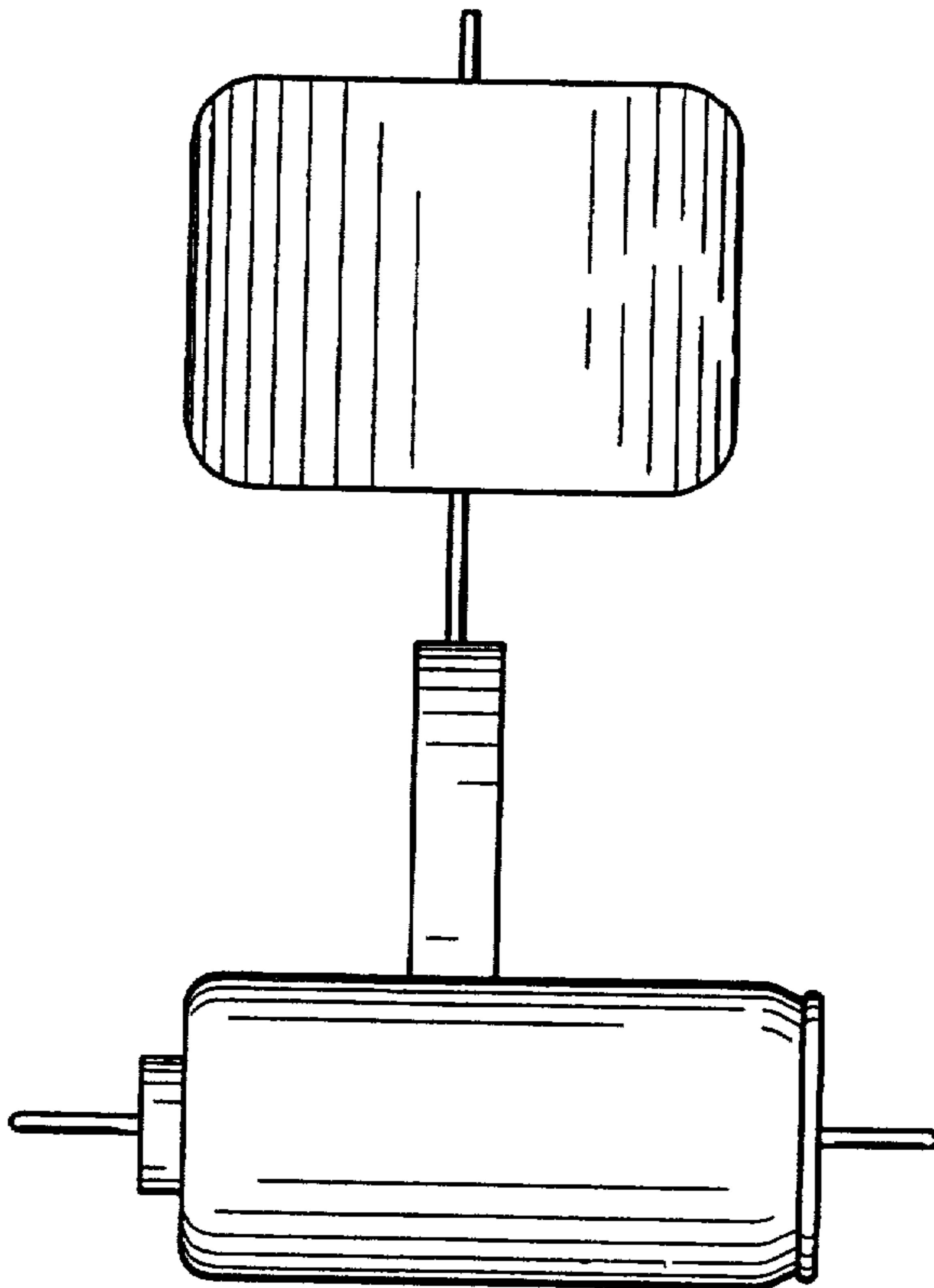


FIG. 3

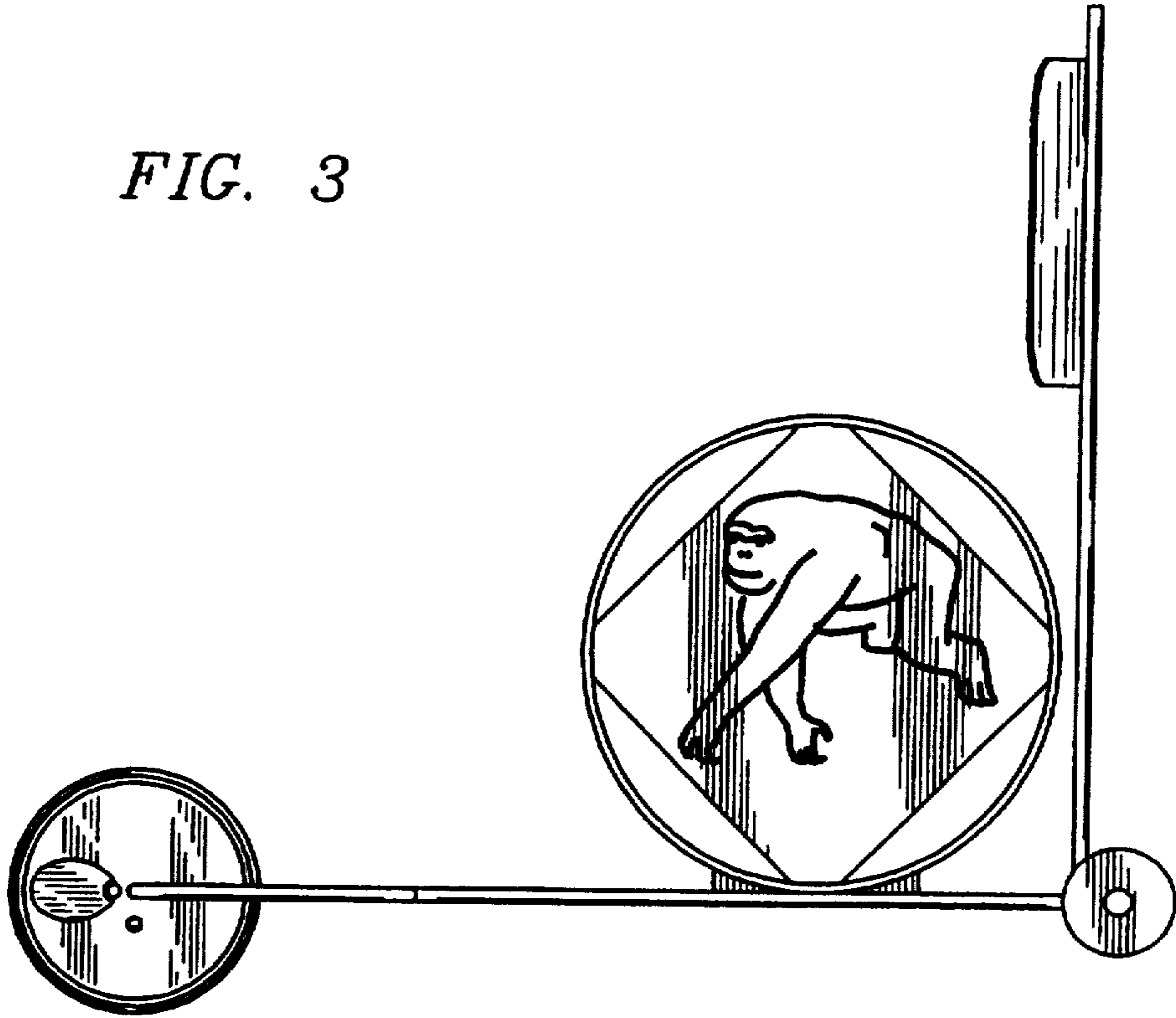


FIG. 4

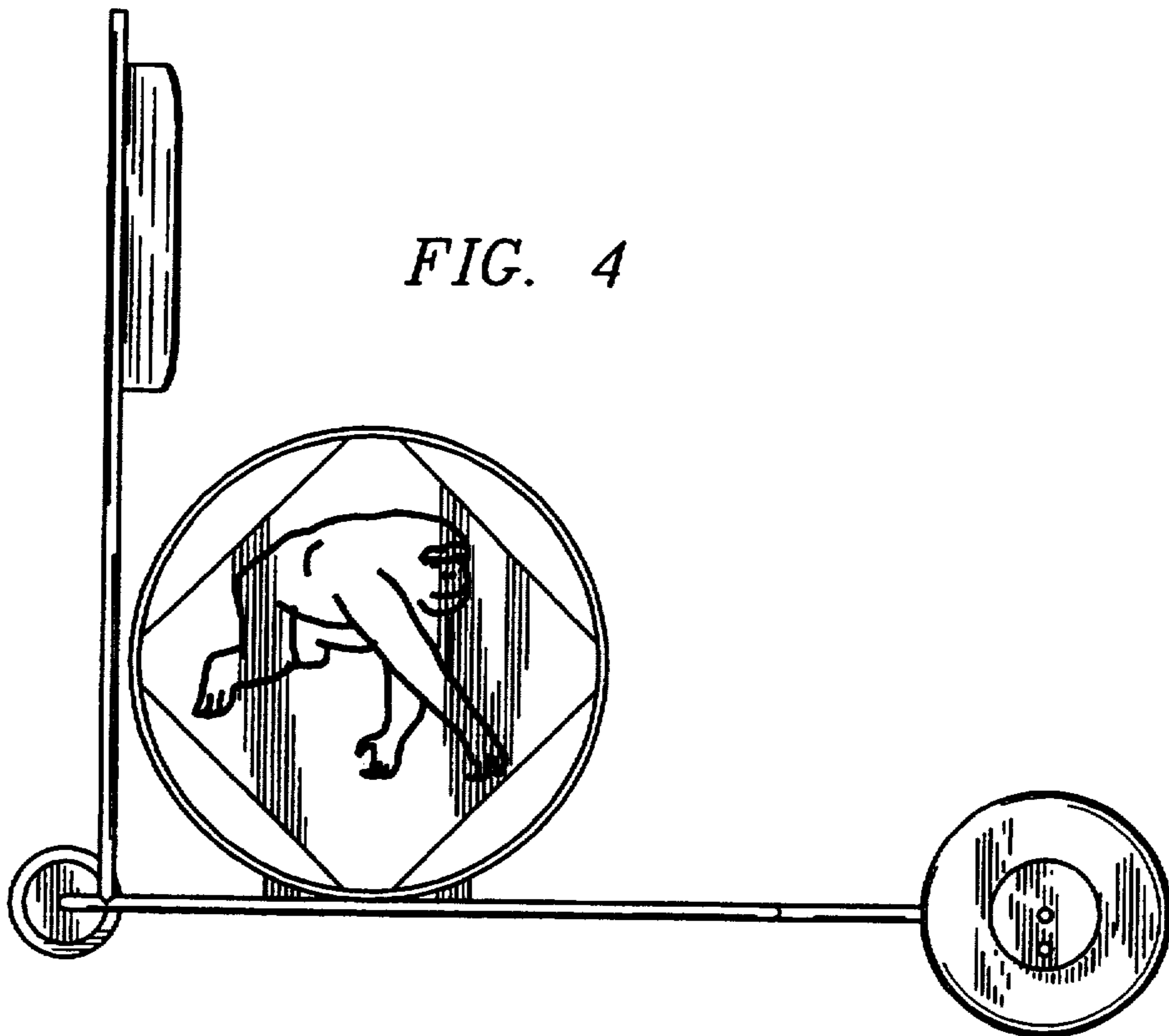


FIG. 5

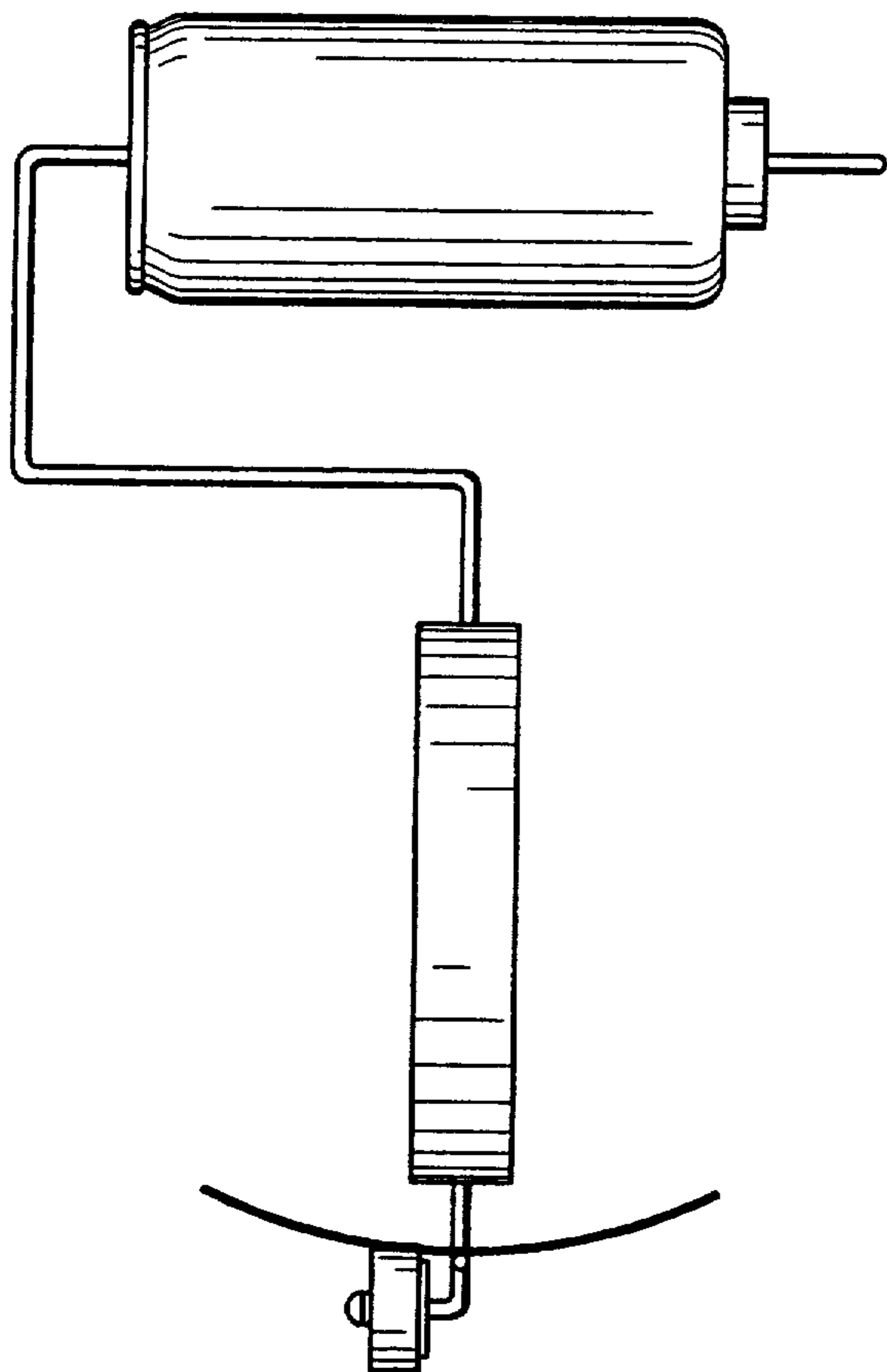


FIG. 6

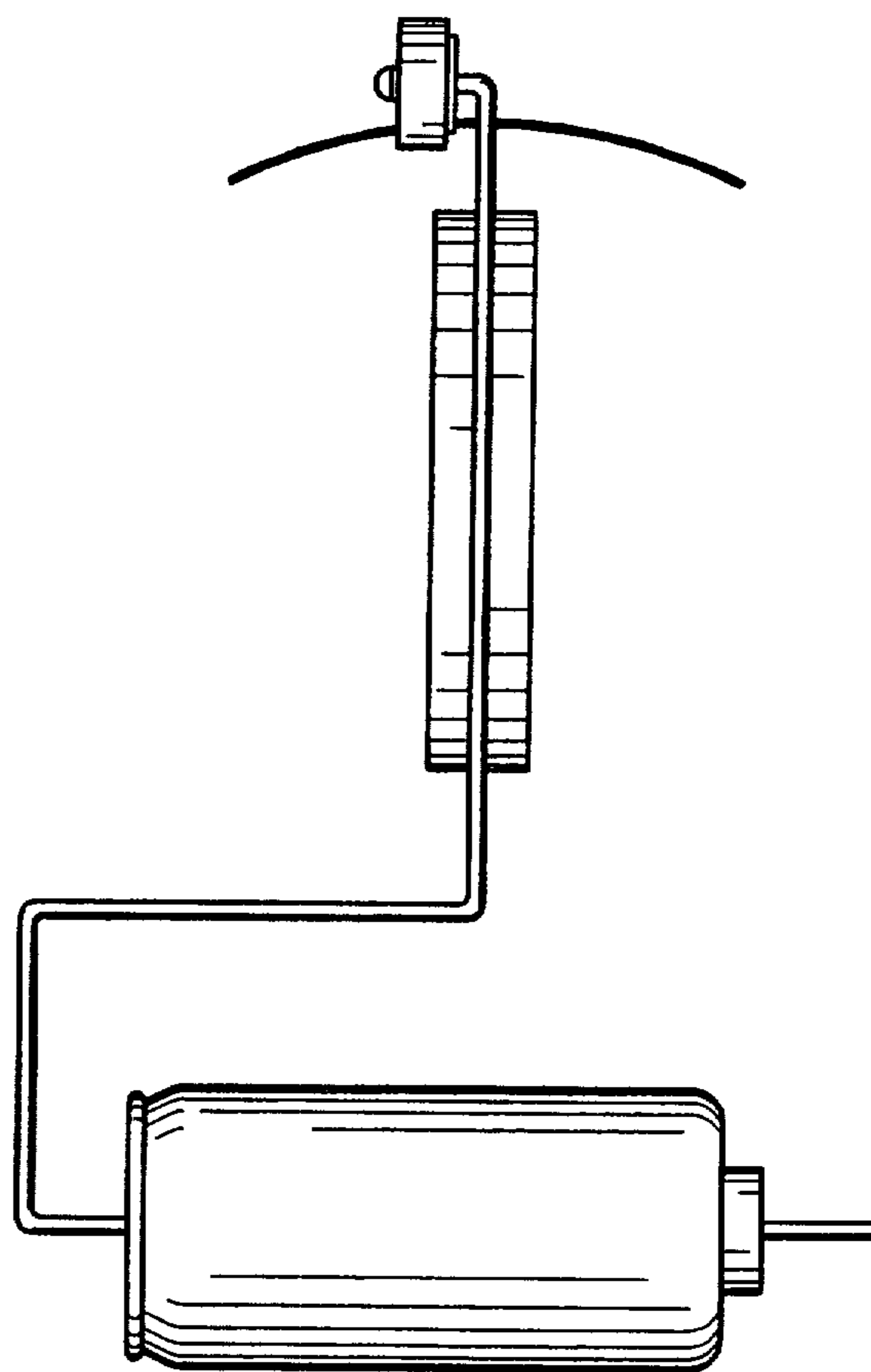


FIG. 7

