



US00D351428S

United States Patent [19] Chiang

[11] Patent Number: **Des. 351,428**

[45] Date of Patent: **** Oct. 11, 1994**

[54] TOY

[75] Inventor: **Chuan T. Chiang, Hong Kong, Hong Kong**

[73] Assignee: **Zei Hong Manufacturing Co., Kowloon, Hong Kong**

[**] Term: **14 Years**

[21] Appl. No.: **9,154**

[22] Filed: **Jun. 7, 1993**

[52] U.S. Cl. **D21/59; D21/157**

[58] Field of Search **446/411-413, 446/450-453; D21/59, 64, 148, 157**

D. 302,186 7/1989 Klawitter D21/59
 1,952,832 3/1934 Allen 446/412
 2,377,104 5/1945 Rapaport 446/452
 4,765,636 8/1988 Speer 446/451 X

Primary Examiner—Bernard Ansher
Assistant Examiner—Dominic Simone
Attorney, Agent, or Firm—Ostrager, Chong & Flaherty

[57] CLAIM

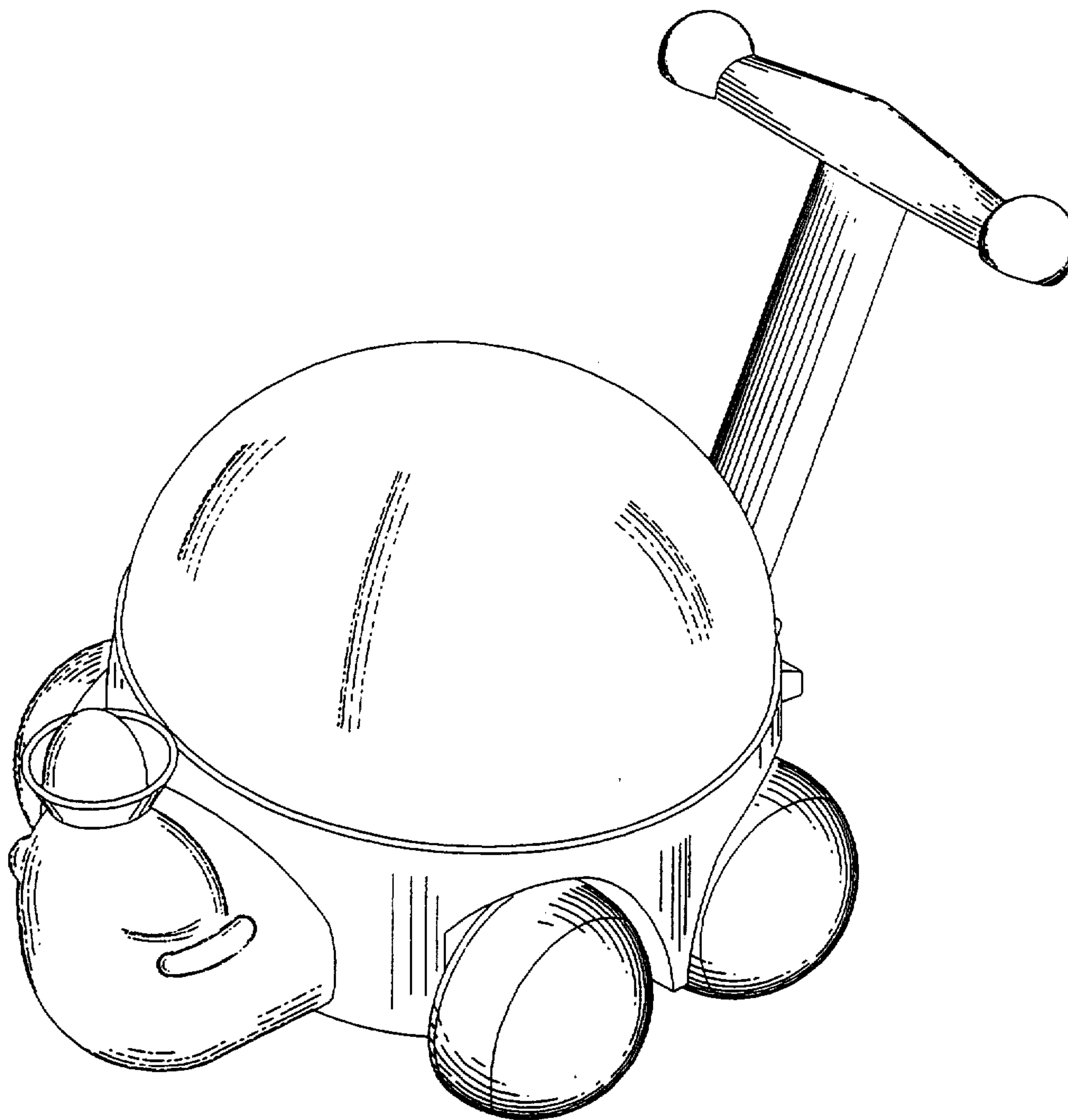
The ornamental design for a toy, as shown and described.

DESCRIPTION

FIG. 1 is a front elevational view of a toy showing my new design;
 FIG. 2 is a rear elevational view thereof;
 FIG. 3 is a left side elevational view thereof;
 FIG. 4 is a right side elevational view thereof;
 FIG. 5 is a top plan view thereof;
 FIG. 6 is a bottom plan view thereof; and,
 FIG. 7 is a perspective view thereof.

[56] **References Cited**
U.S. PATENT DOCUMENTS

D. 138,191 7/1944 Wilson D21/64 X
 D. 184,553 3/1959 Albert D21/86
 D. 209,527 12/1967 Genin D21/64
 D. 258,671 3/1981 Sase D21/85



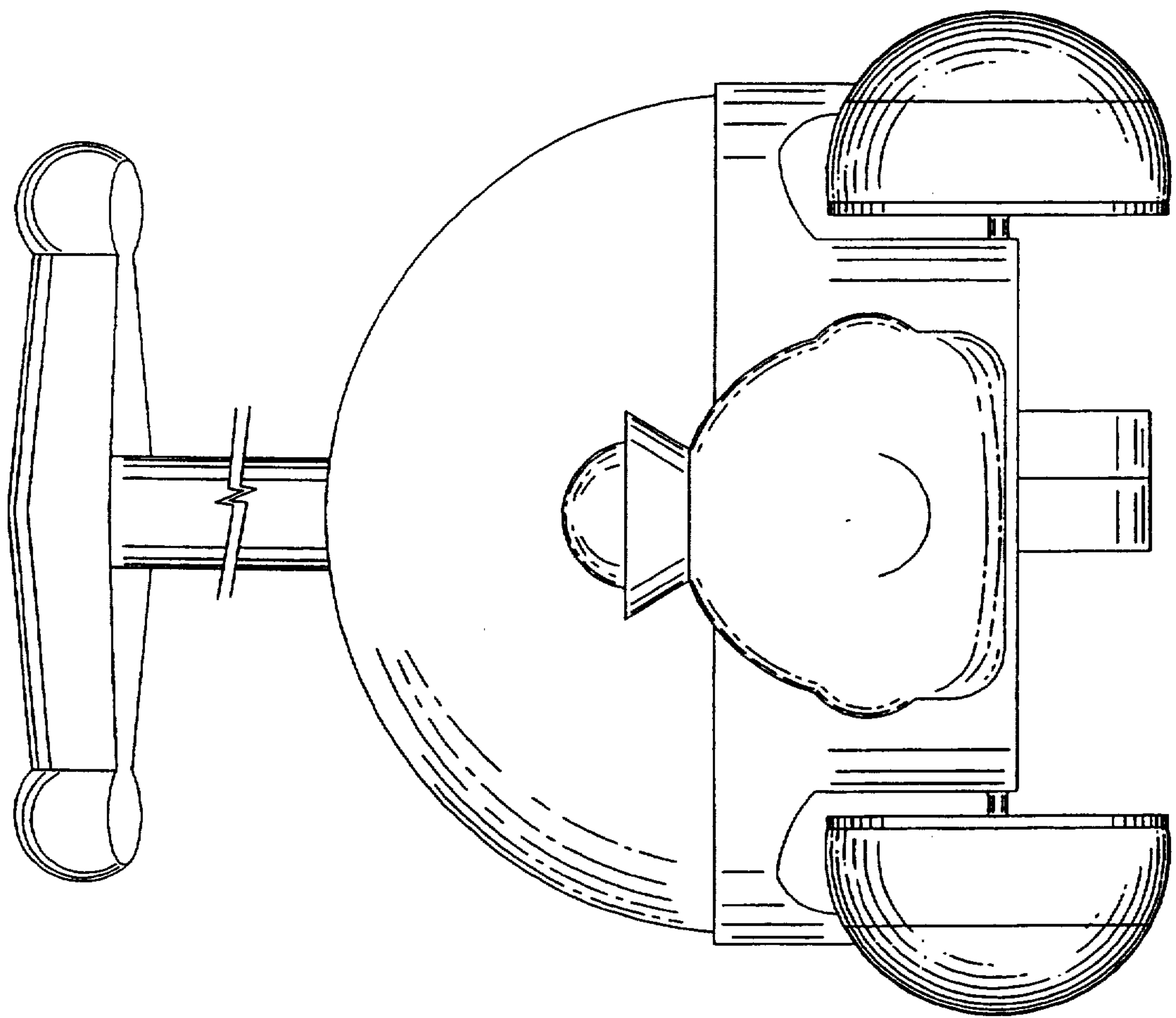


FIG. 1

FIG. 2

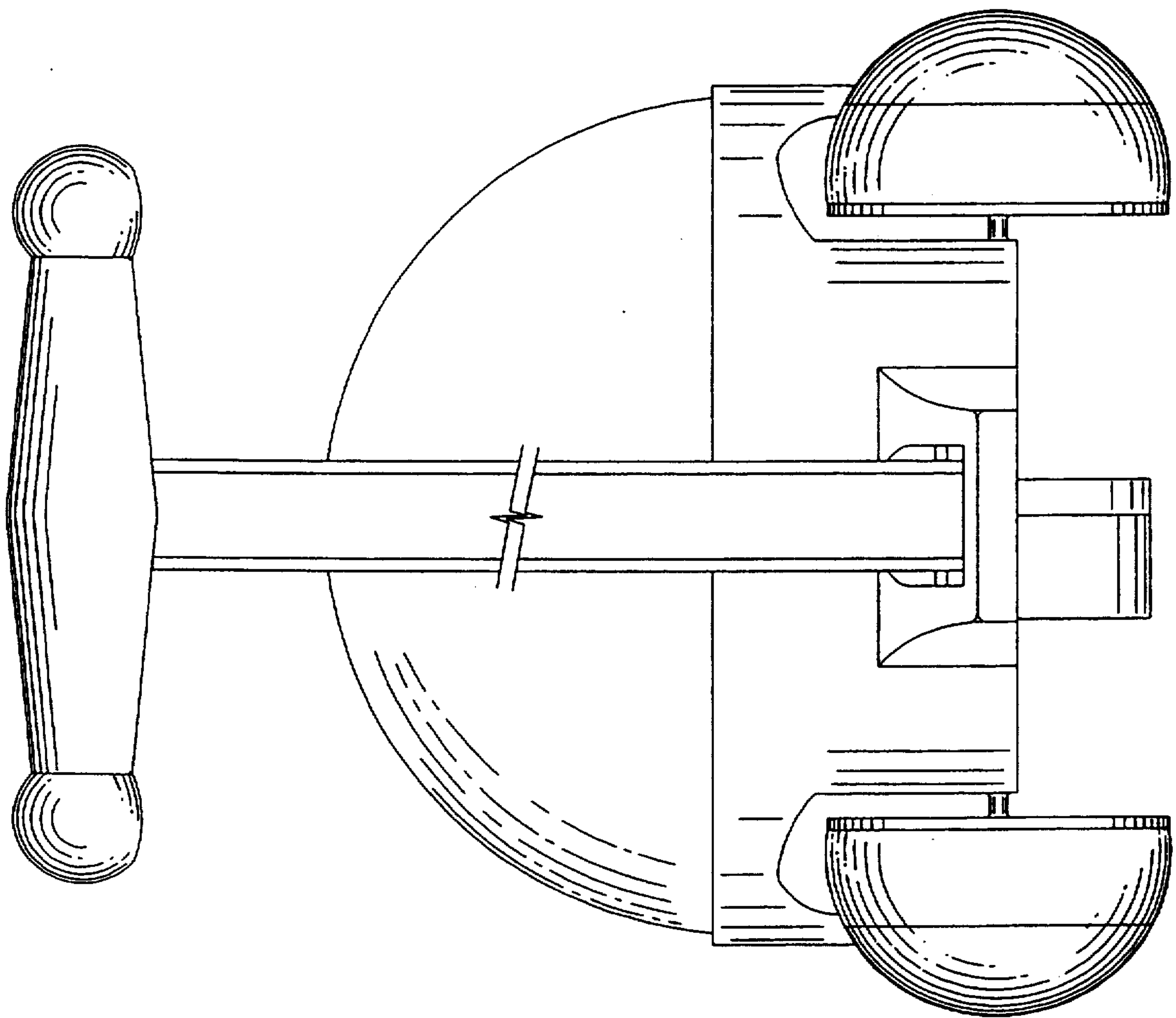


FIG. 3

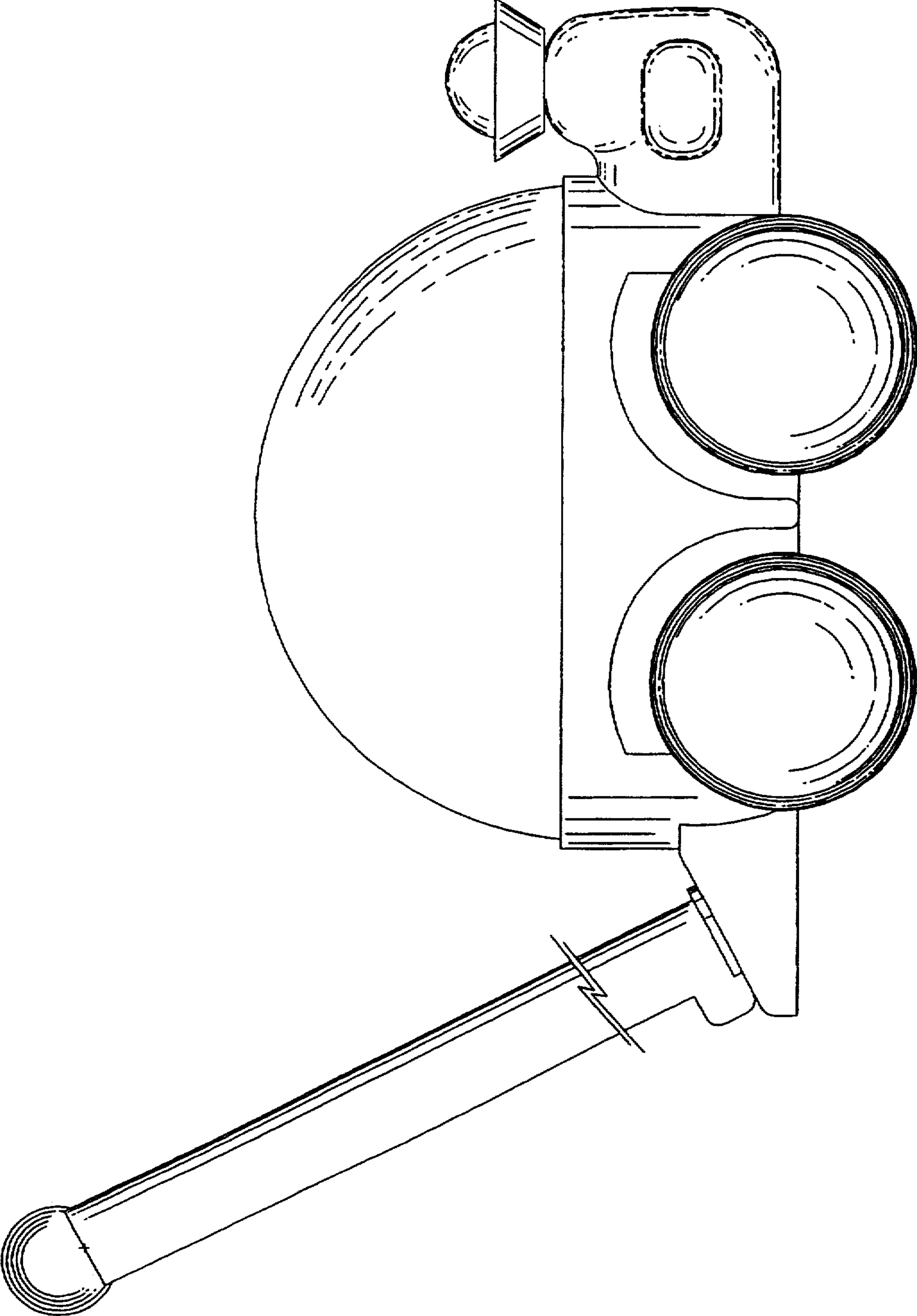
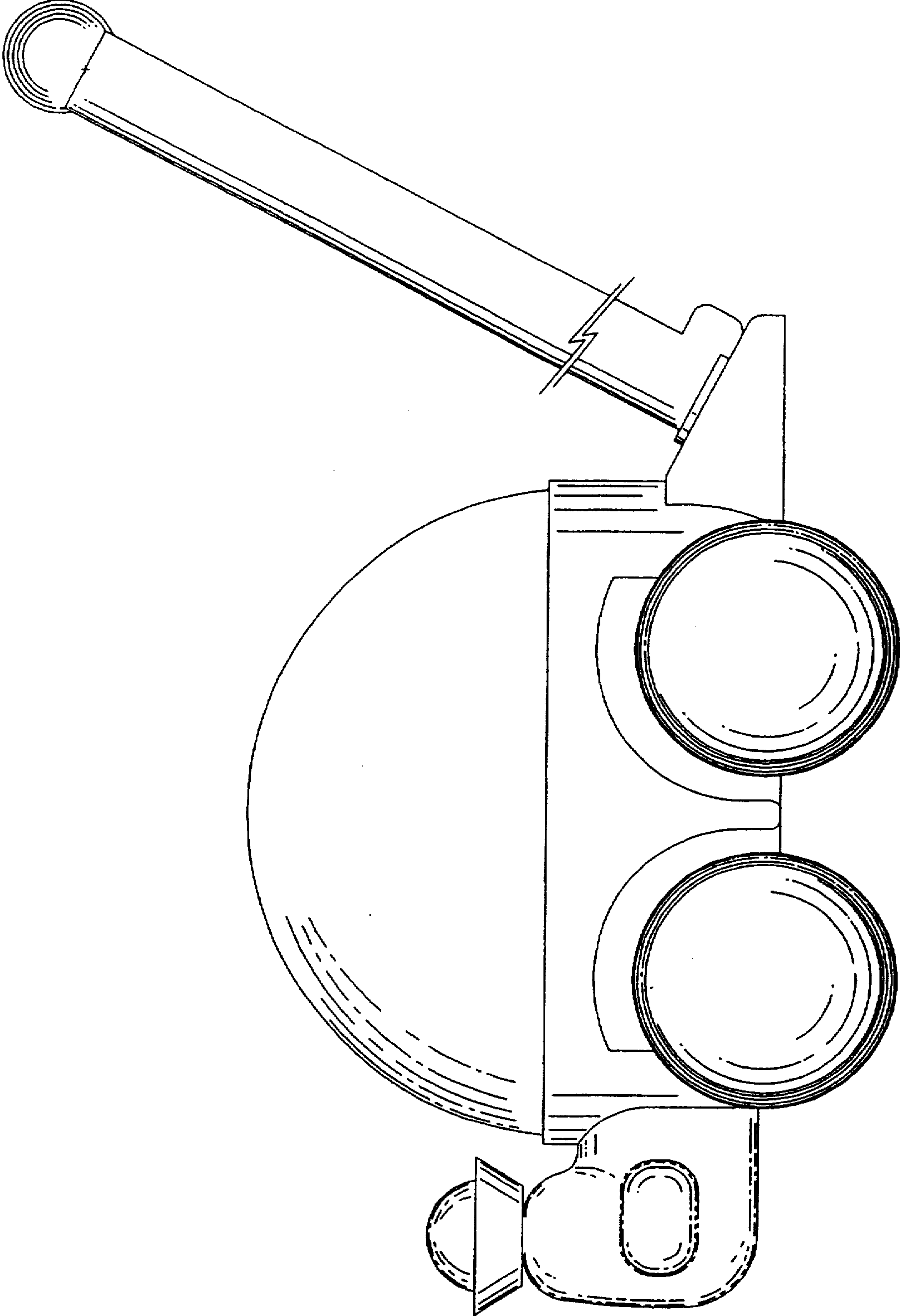


FIG. 4



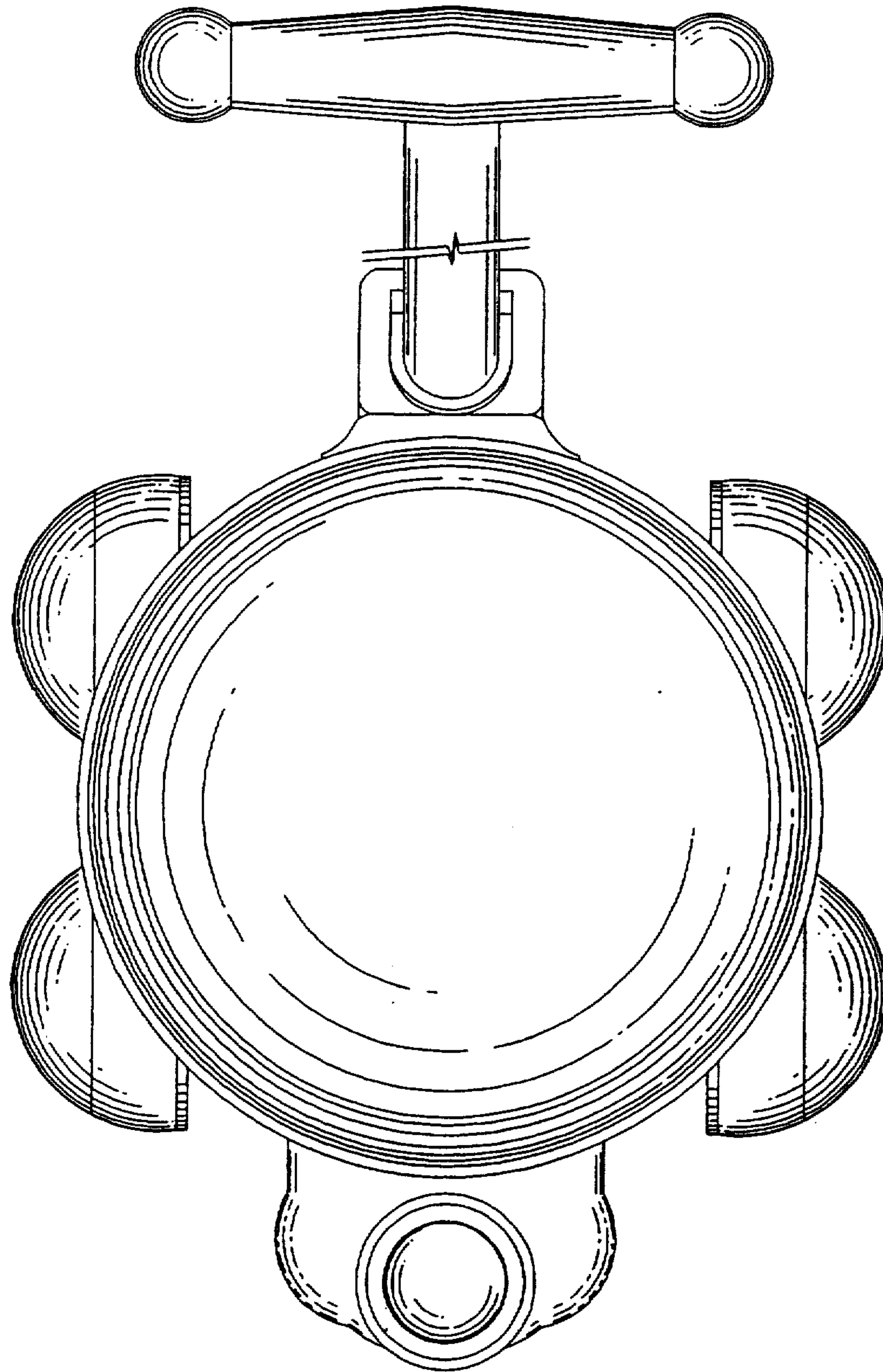


FIG. 5

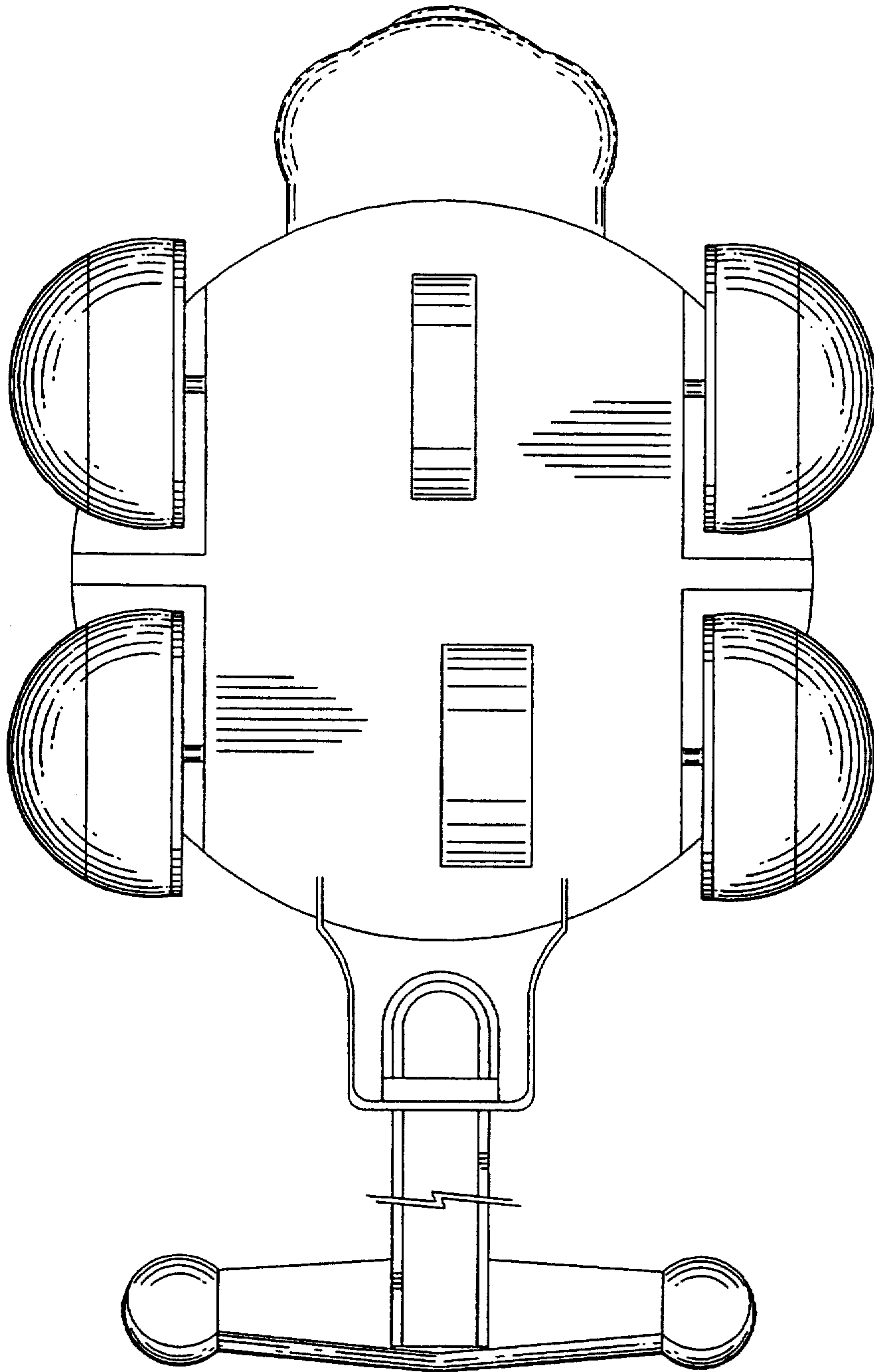


FIG. 6

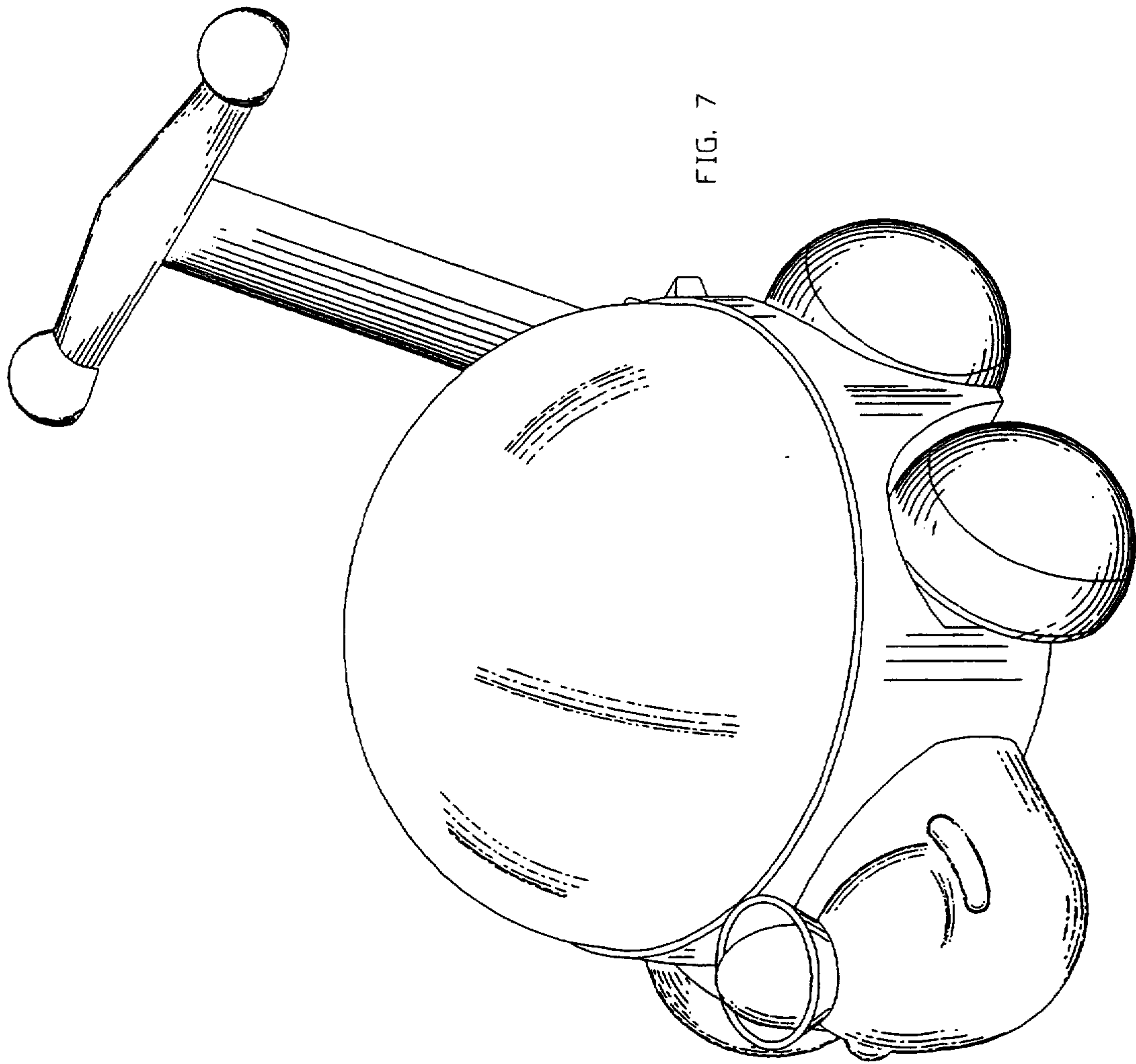


FIG. 7